

Installation Instructions for Fortress Pure View Railing Panels with Evolve External Brackets and Al¹³ Posts

It is the responsibility of the installer to meet all code and safety requirements, and to obtain all required building permits. The deck and railing installer should determine and implement appropriate installation techniques for each installation situation. The Fortress Company or its distributors shall not be held liable for improper or unsafe installations.

Fortress Al¹³ Posts must always be secured to the deck framing. Fortress Al¹³ Posts should never be attached to only the deck boards.

Note

When cutting Fortress railing, it is very important to complete the following at cut points.

- Remove all metal shavings from the cut area
- File any sharp edges left by cutting. Thoroughly wipe and remove any filings, grime or dirt from the railing.
- Apply two coats of Fortress zinc based touch-up paint to the cut area. If touch up is at rail ends, allow paint to dry before connecting bracket to post.
- Be sure to remove any metal shavings from the surface of deck, patio or balcony to prevent corrosion on the surface.

Torx Safety Tips

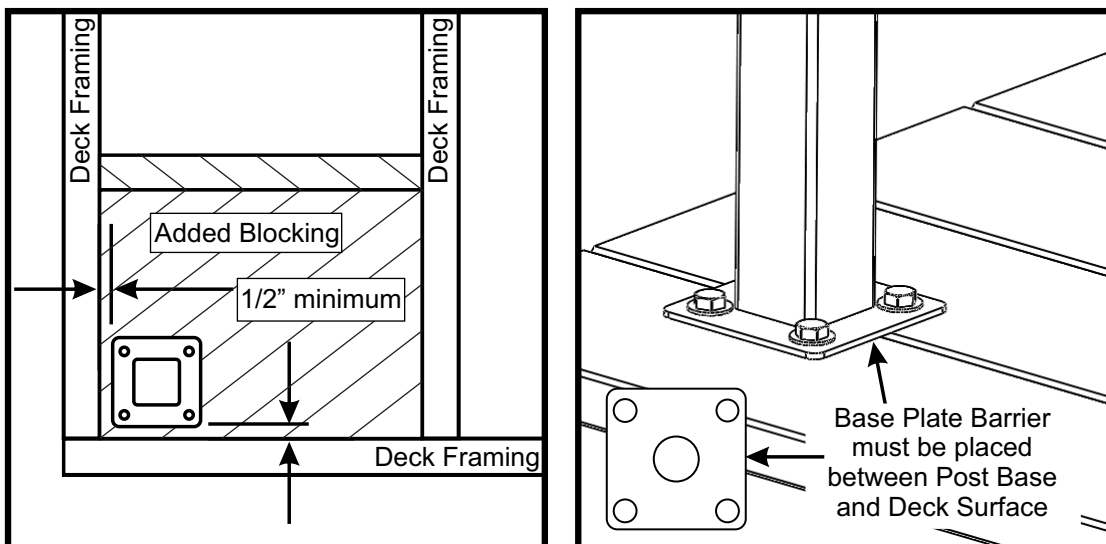
- Always pre-drill holes with a 3/16" drill bit.
- Always use the lowest speed setting on drill.
- To reduce chance of bit breakage, start tightening with drill on low torque setting and work up until screw is secured.

Required Materials

Miter saw with fine-tooth blade, Drill, 3/16" Drill Bits, T-25 Driver Bit, Drill Bit Extender, Tape Measure, Wrenches, Speed Square, Center Punch, 3-1/2" Support, and Hammer.

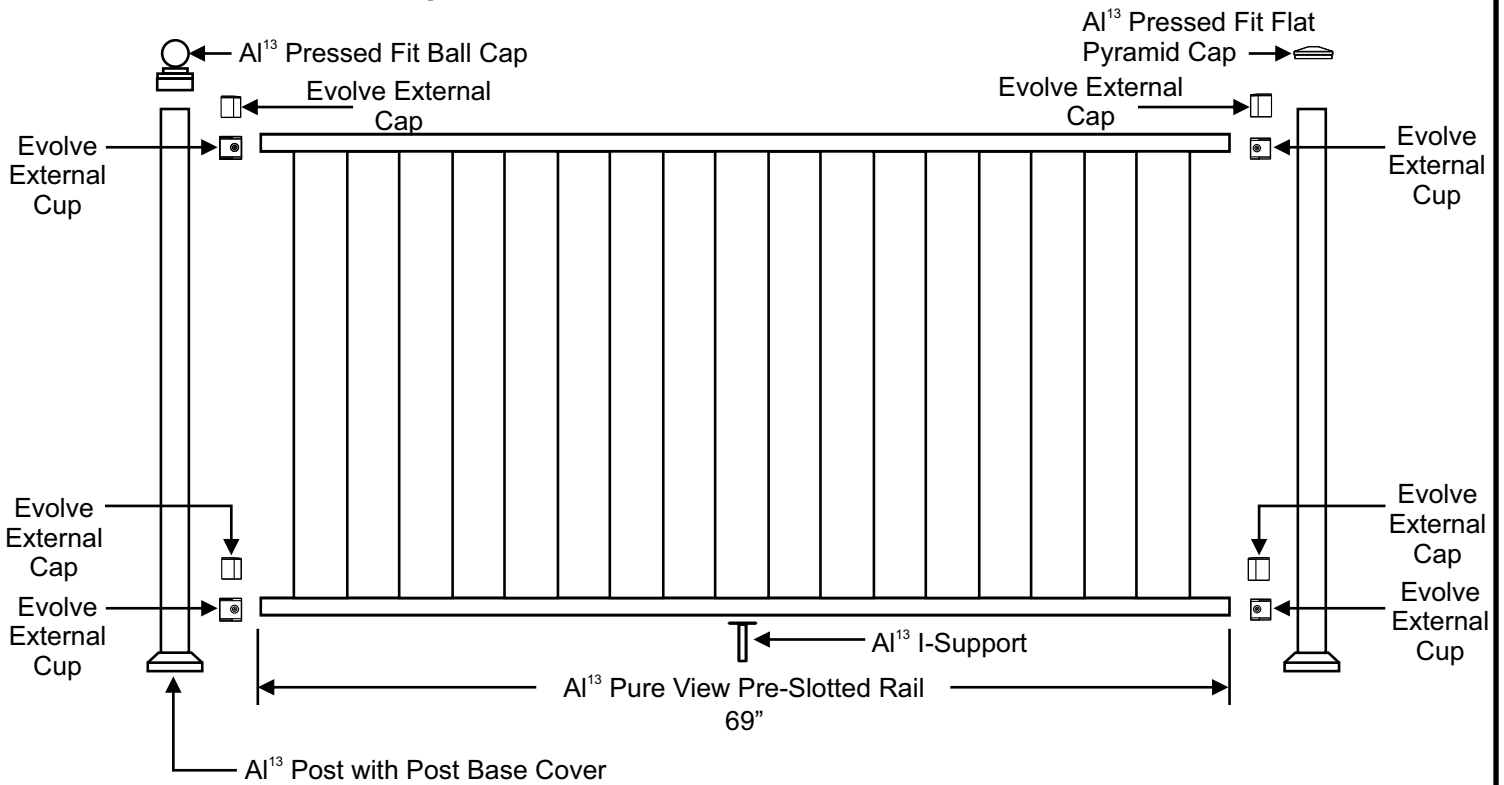
Mount Al¹³ Posts*

- Wood Blocking tied to deck frame must be installed and constructed with treated dimensional lumber with a minimum thickness of 1-1/2".
- Al¹³ 3" Post Spacing must not exceed 96" for 8' Panels and 72" for 6' Panels.
- Position the edge of post base plate a minimum of 1/2" from the inside edge of rim joist.
- Place included Base Plate Barrier between post base and deck surface.
- Mount posts at appropriate points based on panel length.
- Attach Al¹³ posts with 3/8" X 3-1/2" Hex Head galvanized bolts.



*Reference Fortress Al¹³ Post mounting instructions

Pure View Installation Options



Pure View Panel and Al¹³ Post Configurations

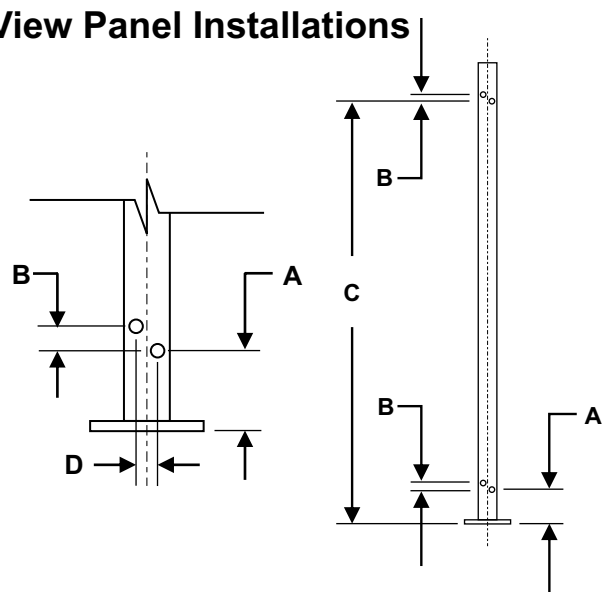
Rail Panel Height	Rail Panel Only	
	Installed Panel Height*	Required Post
34-3/8"	37-7/8"	39-1/2"
40-1/8"	43-5/8"	45-1/2"

*Heights include a 3-1/2" space between deck surface and bottom edge of bottom rail.

Evolve External Bracket Hole Locations for Pure View Panel Installations

Pre-Drilling with a 3/16" drill bit is required.

Rail Panel Height	Pre-Drill Dimensions			
	A*	B	C	D
34-3/8"	3-13/16"	1/2"	37-1/16"	13/16"
40-1/8"	3-13/16"	1/2"	42-13/16"	13/16"



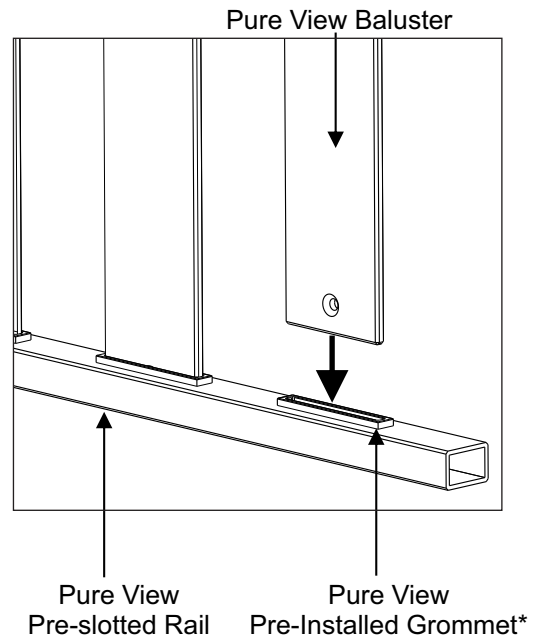
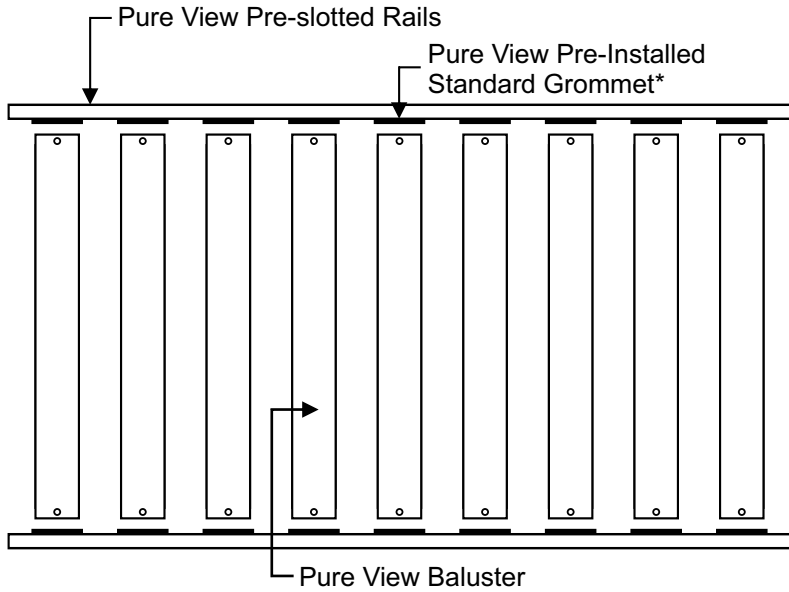
*Dimension A positions bottom edge of rail 3-1/2" above deck surface.

*Dimension A is measured from the bottom surface of post base.

Remove all metal shavings from deck, post base cover, post, and panel before bracket is screwed to post to prevent corrosion.

Pure View Baluster Pre-slotted Rail Assembly

- If pre-slotted rails were cut to length, file cut edges and coat with 2 coats of Fortress zinc based touch-up paint.
 - Check fit of pre-slotted rail between installed posts.
 - Insert ends of Pure View Balusters into the Pure View Pre-slotted rail and Grommet Assemblies.
- Note: Holes in balusters should not be visible after insertion of baluster into rail.



*Pure View Standard Grommets come installed in pre-slotted rails.

Pure View Panel Installation with Evolve External Brackets

When using Evolve External brackets rails **MUST** be cut $\frac{1}{2}$ " shorter than the distance between posts. $\frac{1}{4}$ " should be cut from the ends of each rail to keep rail panel centered between posts.

- If rails were cut to length, file cut edges and coat with 2 coats of Fortress zinc based touch-up paint.
- Check fit of rail between installed posts.
- If using a Base Cover install it now by sliding over the top of Al¹³ Post.
- Secure Evolve External brackets to posts with provided T-25 Drive Thread-Cutting Screws. Use low speed setting on drill.
- Install 3-1/2" I-Support at mid point of bottom rail.
- Drop Pure View Panel into installed Evolve External brackets.
- Secure rails with provided T-25 Drive Thread-Cutting screws at each Evolve External bracket.
- Install Evolve External Caps by sliding the cap over the Evolve External Cup. Cap will snap into place.
- Al¹³ Post caps may be installed at this time by pressing cap onto top of post.

