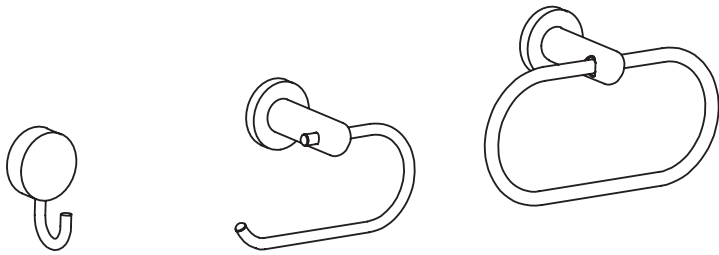
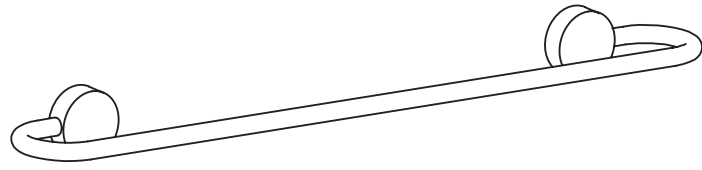
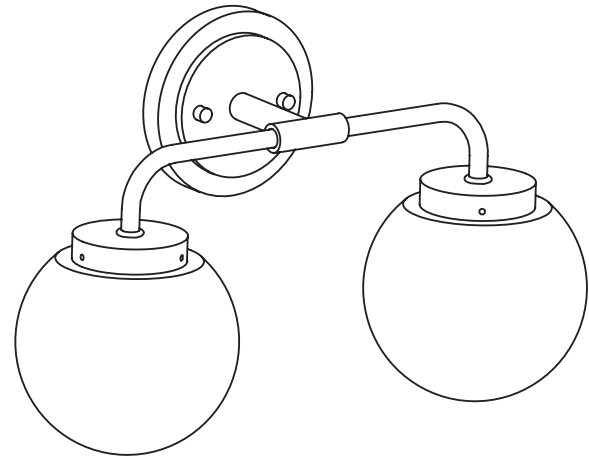


Let's build the

Izzy Bath-in-a-Box



SKU 14601



Scan me!

Inspiration
Digital Instructions
Free Lifetime Warranty

nathan james

Ok, let's get rolling

This should be easy, just follow our instructions and you will be back to Netflix in no time.

Estimated time for assembly



75:00

What you need

- Your favorite snack or energy bar (Save the bubbly for once your fixture is safely installed!)
- Use the packaging carton as a working surface to prevent product damage during assembly
- For Non-Drywall Anchors, use a 1/4" drill bit
- For Drywall Anchors, use a 5/16" drill bit

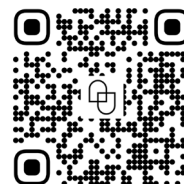
Toll-free at 1-866-619-1004
Help@nathanjames.com
Nathanjames.com/help

What's included

Description	Qty
1 Fixture	1
2 Glass Shade	2
3 Towel Bar	1
4 Hand Towel Hook	1
5 Toilet Paper Holder	1
6 Hand Towel Ring	1
A M4*26mm Screw	2
B Wire Nut	3
C Mounting Bracket	1
D Ball Nut	2
E Mounting Plate	5
F Dry Wall Wall Anchor	10
G M3.5*50mm Screw for Dry Wall Anchor	10
H Non-Dry Wall Anchor	10
I M3.5*35mm Screw for Non-Dry Wall Anchor	10

Scan me!

Inspiration
Digital Instructions
Free Lifetime Warranty



Safety first, fun later

Safe use of this product starts with you.

Use this light fixture and accessories responsibly with the primary concern for your safety. Follow assembly instructions carefully and inspect product upon receipt and each use.

Nathan James and its parent companies cannot be held legally responsible for any injuries or death resulted from failure to follow instructions or improper use of this product.

Do not modify the structure of this product in any way.

Our products have been tested to meet specific safety measures as they were originally intended to be sold. Any modifications will present the risk of creating significant safety issues which Nathan James will not be responsible for.

Proper use

- DO NOT** use for commercial purposes
- DO NOT** leave spilled liquid on fixture
- DO NOT** use light fixture if damaged
- DO NOT** make temporary repairs
- DO NOT** use incorrect bulbs



WARNING

Inspect the wire insulation for any cuts, abrasions, or exposed copper that may have occurred during shipping. If there is a defect in the wire, do not attempt installation. Please reach out to our Customer Happiness team at help@nathanjames.com or 1-866-619-1004



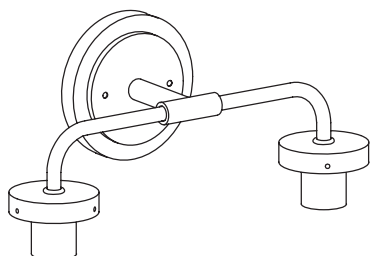
WARNING: RISK OF ELECTRIC SHOCK

Before starting the installation, disconnect the power by turning off the circuit breaker or by removing the appropriate fuse at the fuse box. Turning the power off at the switch is NOT SUFFICIENT to prevent electrical shock. PLEASE CONSULT A QUALIFIED ELECTRICIAN IF YOU HAVE ANY ELECTRICAL QUESTIONS.

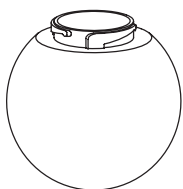


The goods

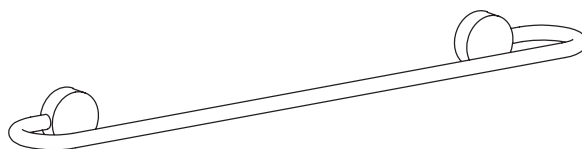
1



2



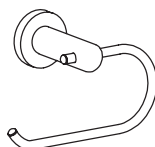
3



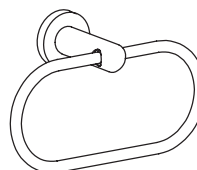
4



5



6



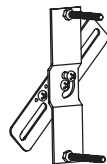
A



B



C



D



E



F



G



H



I



IMPORTANT

1. Do not tighten bolts / screws completely until all bolts / screws are lined up and inserted into holes.
2. Do not over tighten screws and bolts to avoid stripping.
3. Please use hand tools to assemble this product. Do not use power tools.



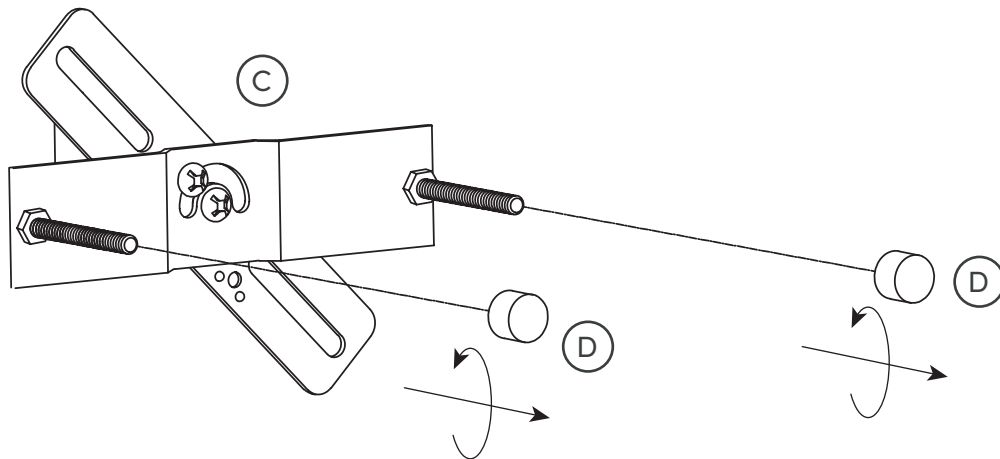
Pre-Installation

- Read all instructions prior to beginning assembly.
- To avoid damaging this product, assemble it on a soft, non-abrasive surface such as carpet or cardboard.
- Keep the receipt and these instructions for proof of purchase.
- 120 V 60Hz AC Only.
- Suggested Bulb: Type A15 (not included) or LED equivalent
- Max. Wattage: 120W (60W per bulb)

Step 1

Let's get this thing fired up! Or should we say, lit!

Remove the Ball Nuts (D) from the Mounting Bracket (C).

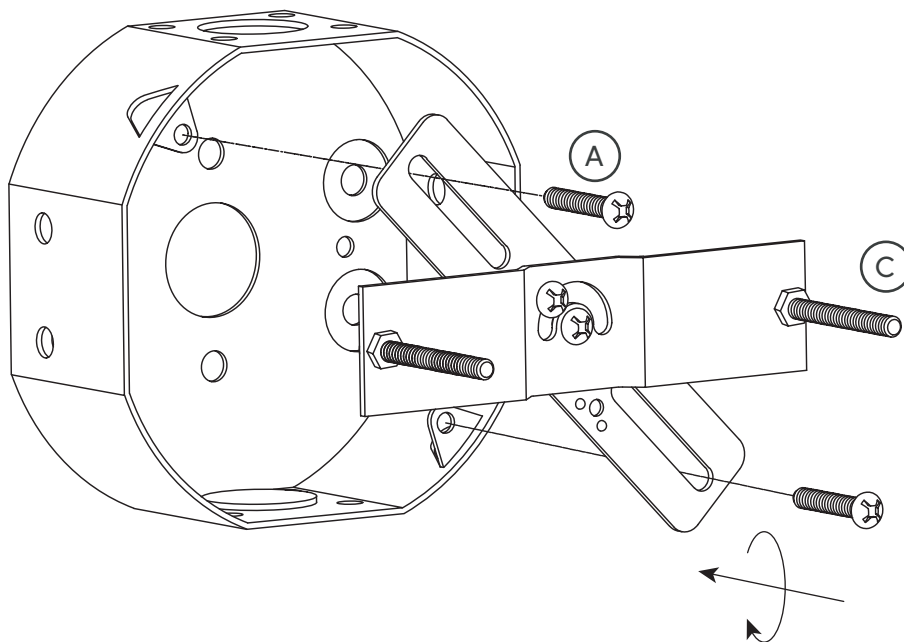


Step 2

Using the M4*26mm Screws (A), install the Mounting Bracket (C) to your pre-installed electrical box.



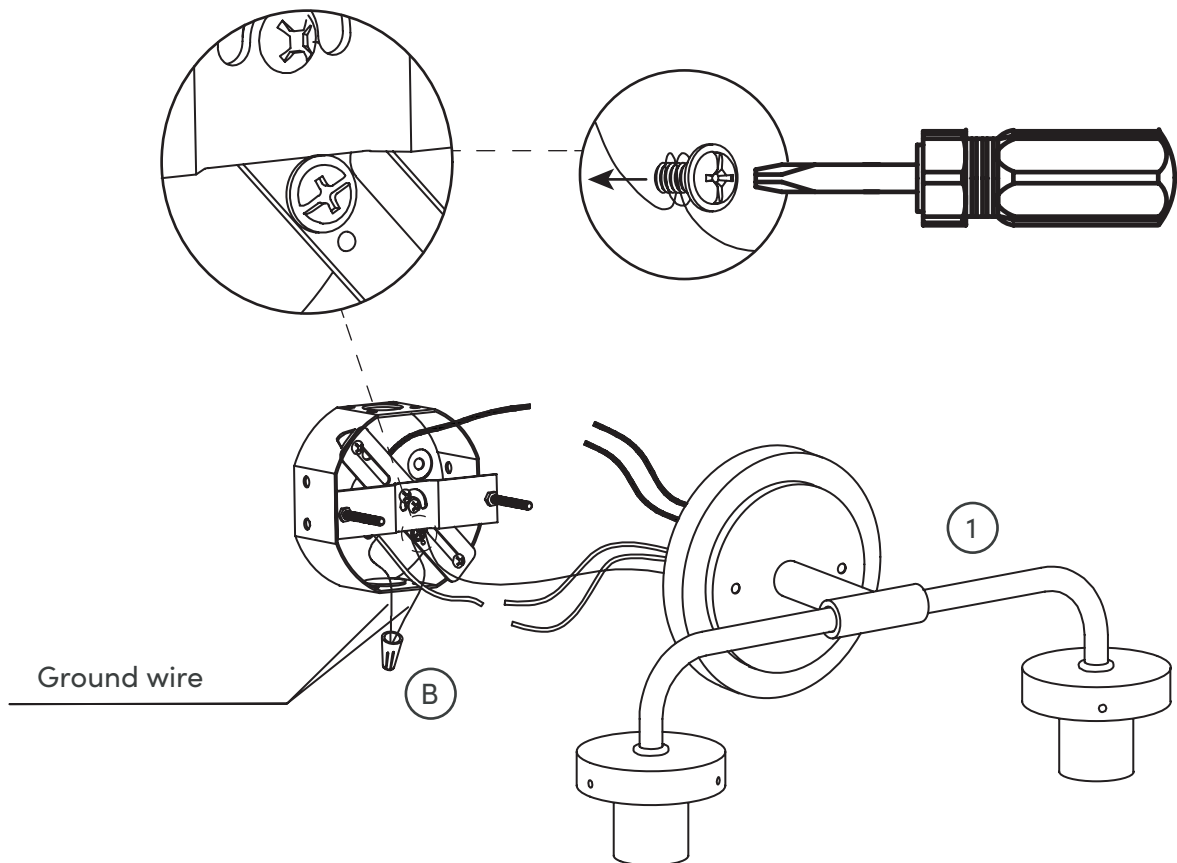
Note: Be sure that you are only making the connections to a 120V 60Hz AC circuit. If you do not have a pre-existing electrical box, we strongly advise using a certified electrician.



Step 3

First, wrap the ground wire from the Fixture (1) around the grounding screw on the Mounting Bracket & then tighten the screw to secure.

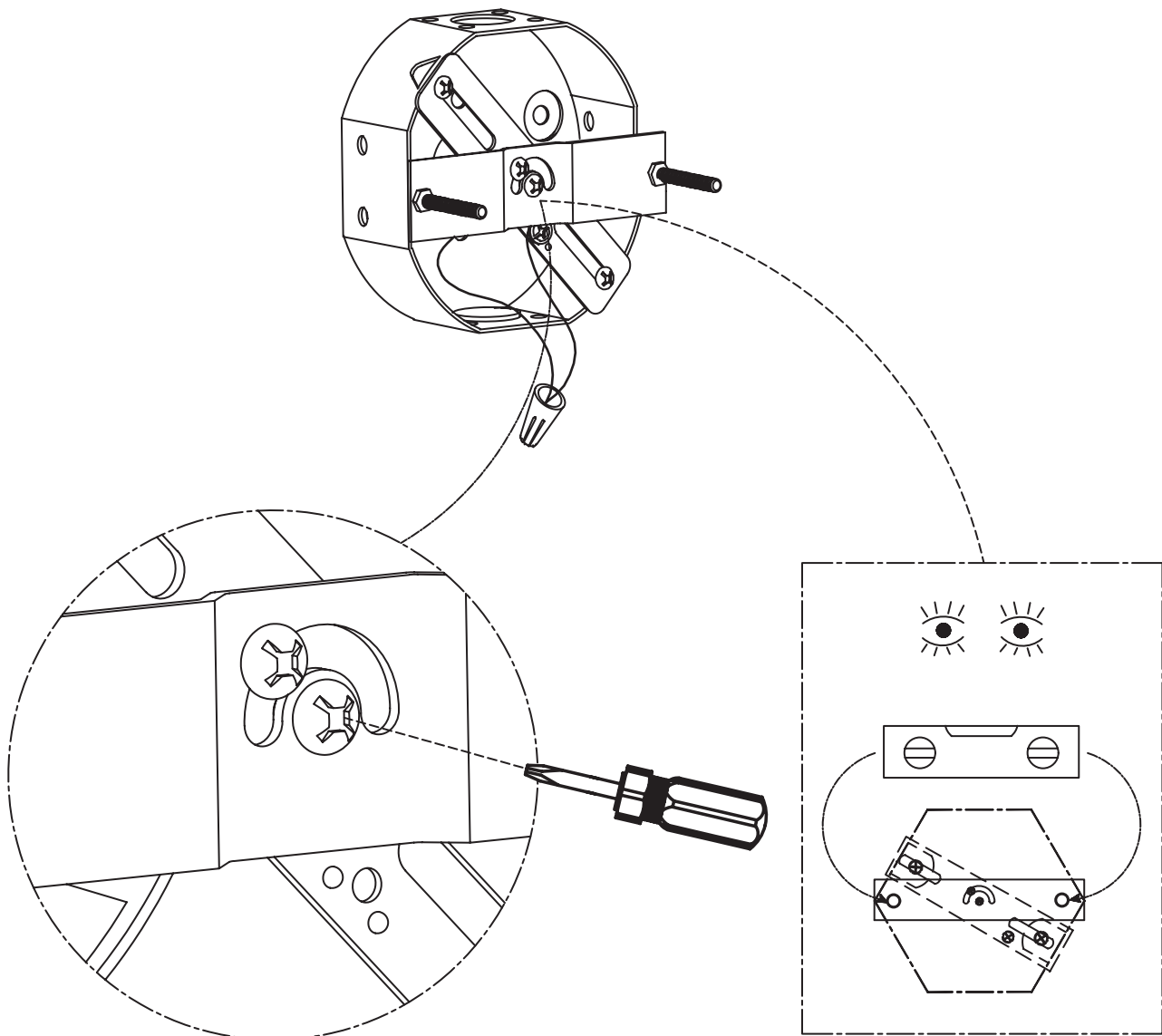
Next, using a Wire Nut (B), join the ground wire from the Fixture (1) with the ground wire from your pre-installed electrical box.



Step 4

Before moving forward any further, be sure that the threaded components on the Mounting Bracket are horizontal & level.

Once they are horizontal and level, go ahead and tighten the center screw on the Mounting Bracket to hold it in place.



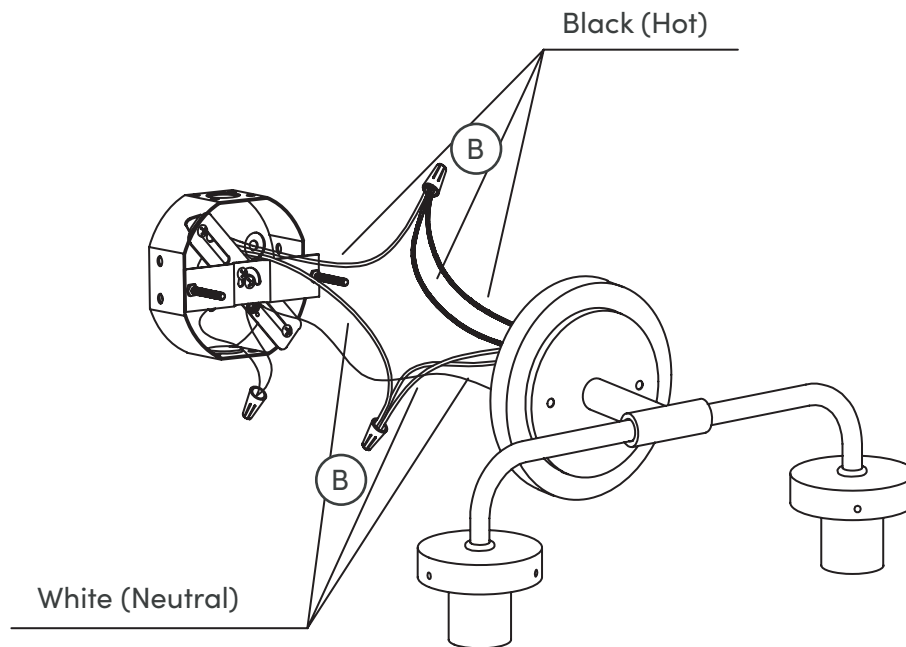
Tip from a friend to a friend:
Be sure that the threaded
components on the Mounting
Bracket are horizontal & level
before fully tightening the
Mounting Bracket.



Step 5

Use Wire Nuts (B) to connect the matching colored wires (White to White, Black to Black). You're doing great!

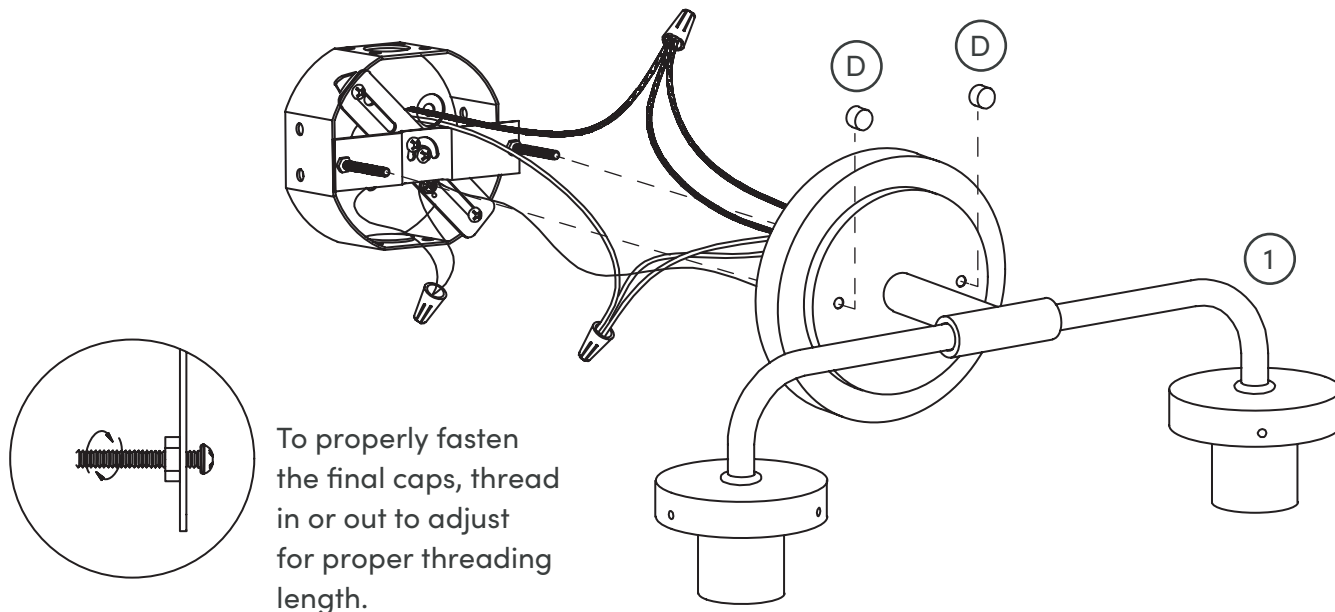
Once complete, tuck the excess wire into the electrical box.



Step 6

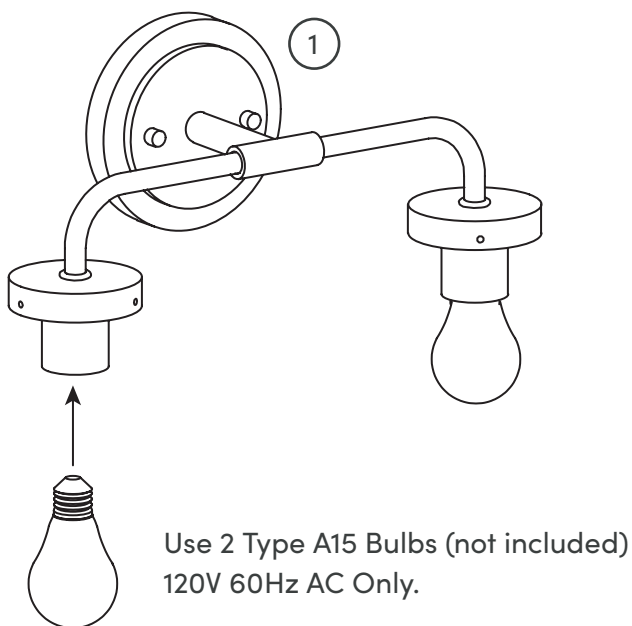
Using the Ball Nuts (D), mount the Fixture (1) to the Mounting Bracket on your electrical box.

Be sure that all excess wire is tucked neatly into the electrical box.



Step 7

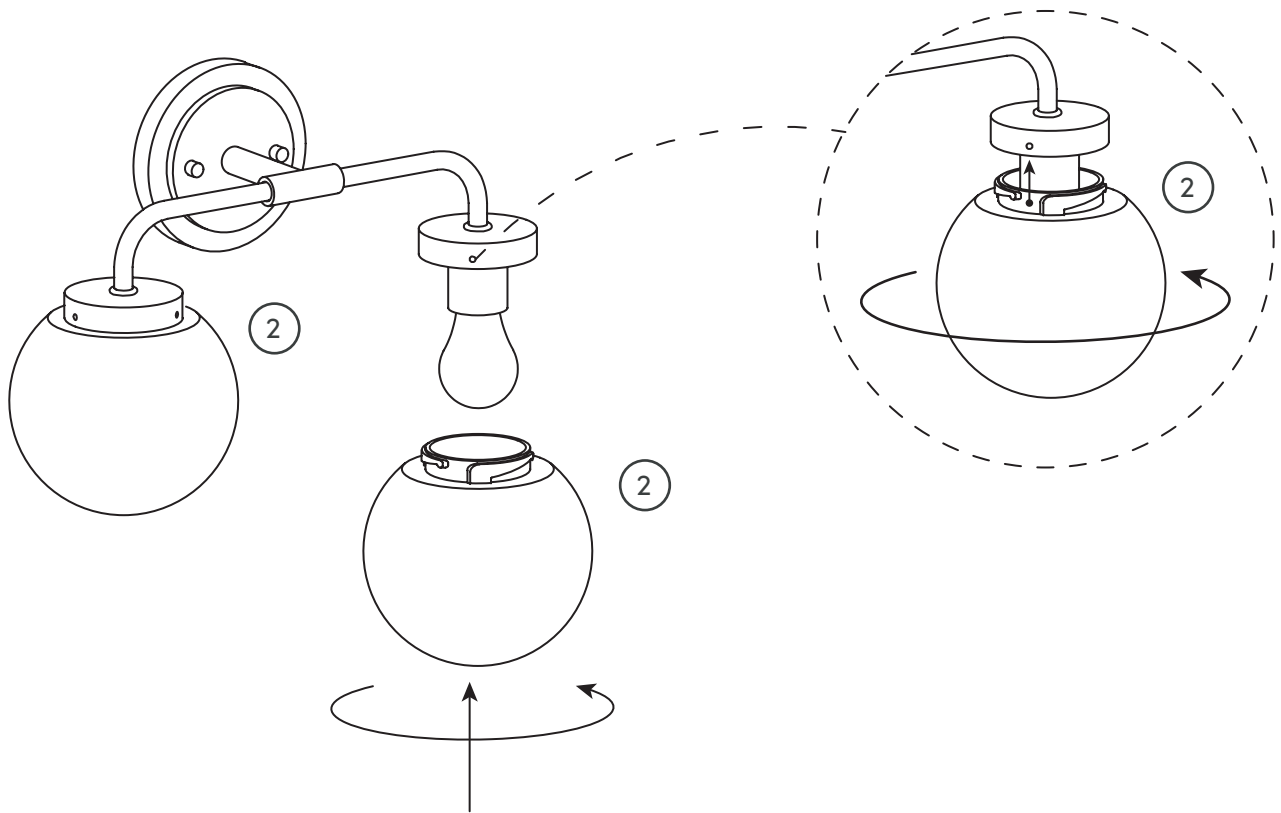
Install your light bulbs into each socket.



Step 8

Twist the Shades into place on the Fixture.

Cue the party music! Your vanity light is complete!



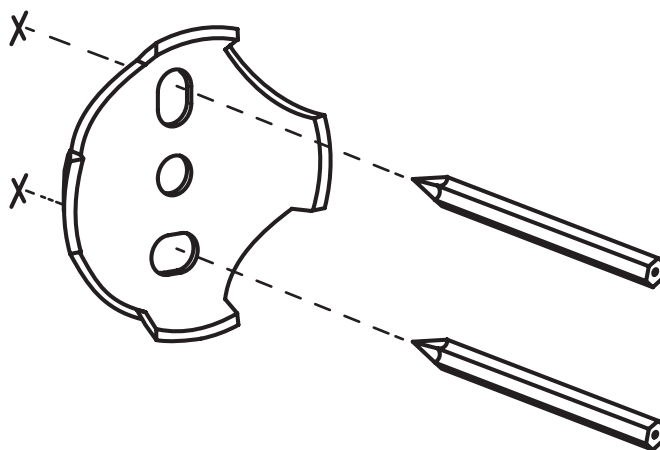
Troubleshooting

Problem	Possible Causes	Solutions
The bulb will not light.	The bulb is burned out.	Replace the light bulb.
	The power is off.	Ensure the power supply is on.
	The circuit breaker is off.	Ensure the circuit breaker is in the ON position.
The fuse blows or circuit breaker blows when the light is turned on.	There is an exposed wire.	Discontinue use of the light. Contact a qualified electrician or reach out to our Customer Happiness team at help@nathanjames.com or 1-866-619-1004.



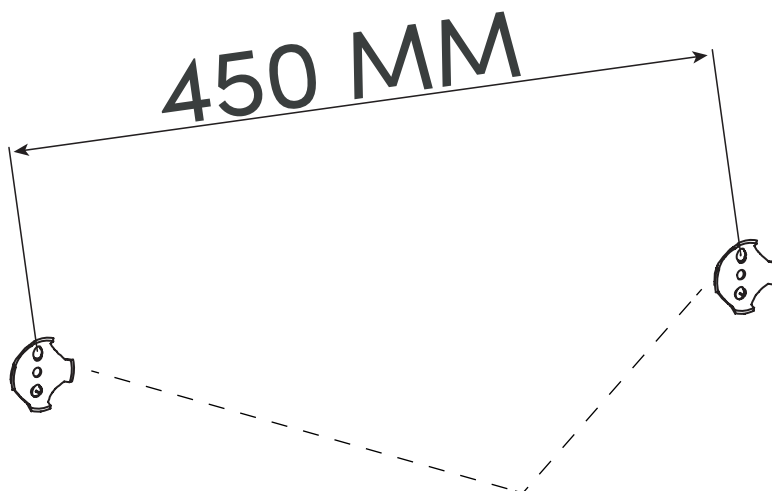
Step 9

Onto the bathroom hardware! For each component, use a Mounting Plate (E) as a template to on the wall for where you will need to drill your holes.

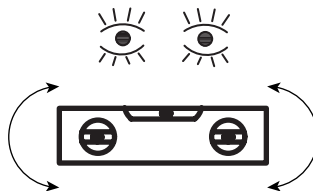


For the Towel Bar, you will be using 2 Mounting Plates (E) with their centers 450mm apart from one another.

Use 1 Mounting Plate (E) as your first template to mark your first set of holes then measure 450mm from the center of those marks and use the other Mounting Plate (E) to mark your second set of holes.

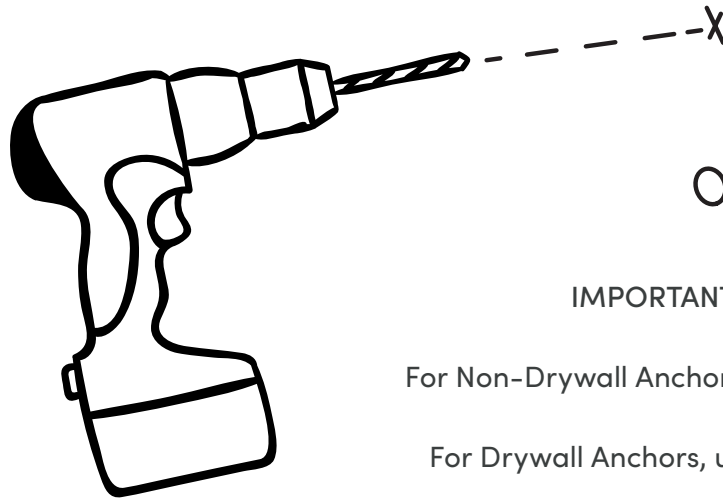


Very important tip:
Make sure the pounting plates are level with one another & the ground.



Step 10

Using a drill & the reference marks from Step 9, drill your holes into the wall.



IMPORTANT NOTE:

For Non-Drywall Anchors, use a 1/4" drill bit.

For Drywall Anchors, use a 5/16" drill bit.

Step 11

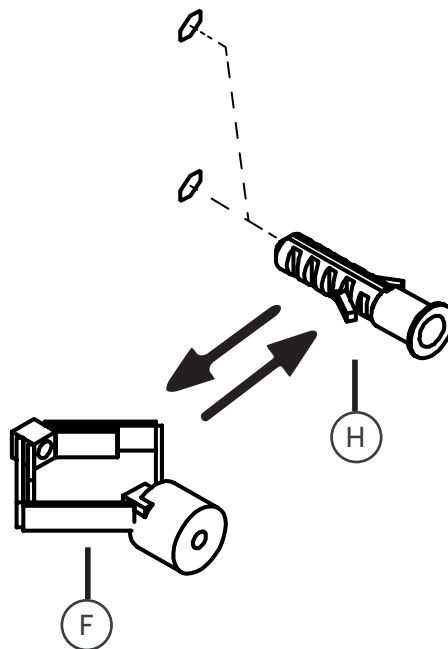
Insert wall anchors into the newly drilled holes.



Please note...

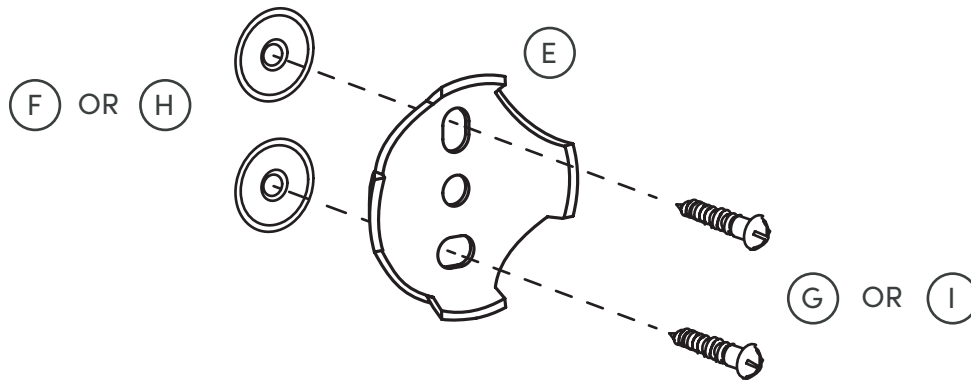
Part H is for non-drywall applications.

Part F is for drywall applications.



Step 12

Using the provided screws & newly installed wall anchors, mount the Mounting Plates (E) to the wall.



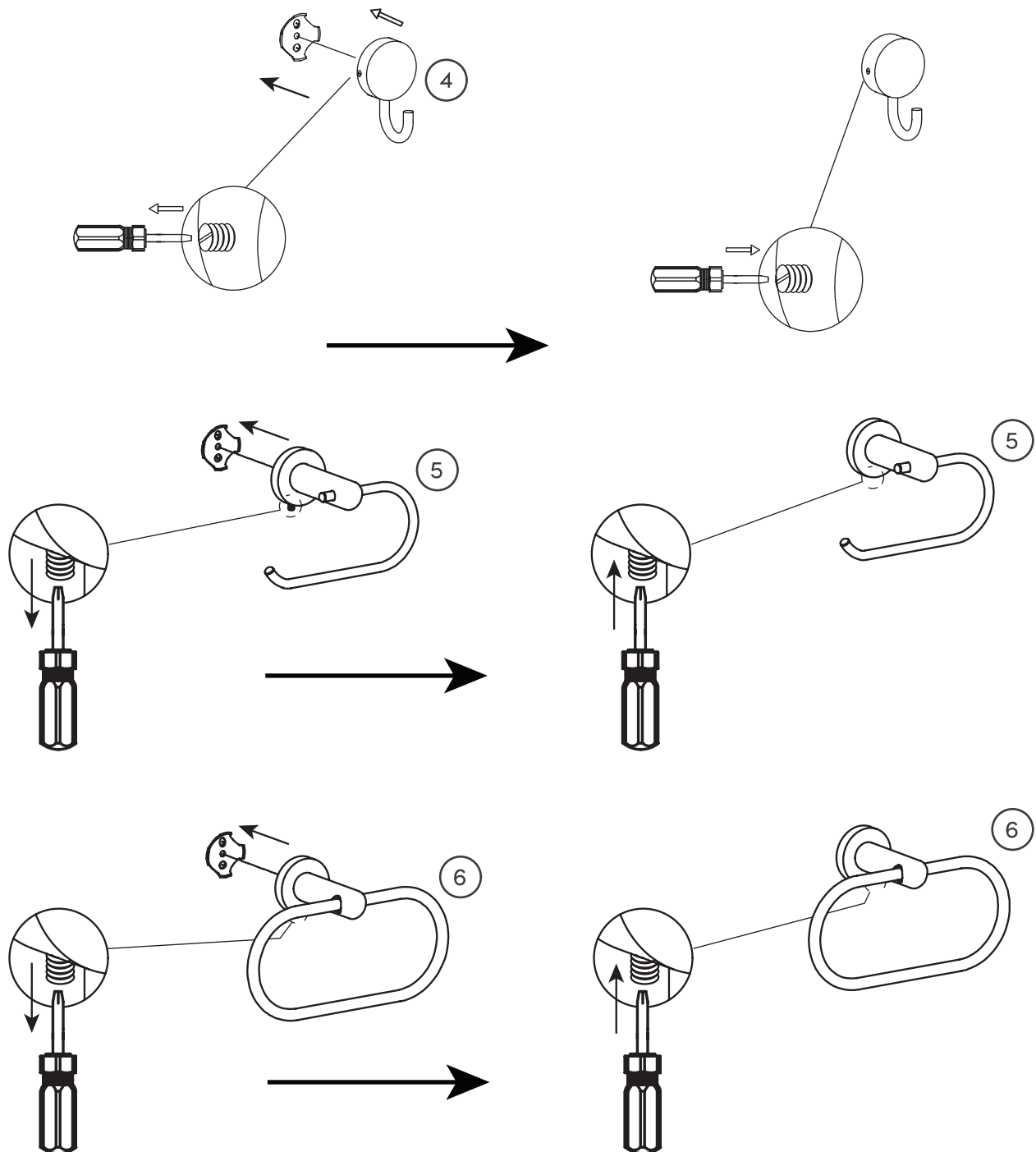
Please note...
Part H & I are for non-drywall applications.
Part F & G are for drywall applications.



Step 13

Time to mount! First, loosen the set screw on the bottom of each bathroom hardware component.

Then, mount that bathroom hardware component over the Mounting Plate (E) and set it in place by re-tightening the set screw.

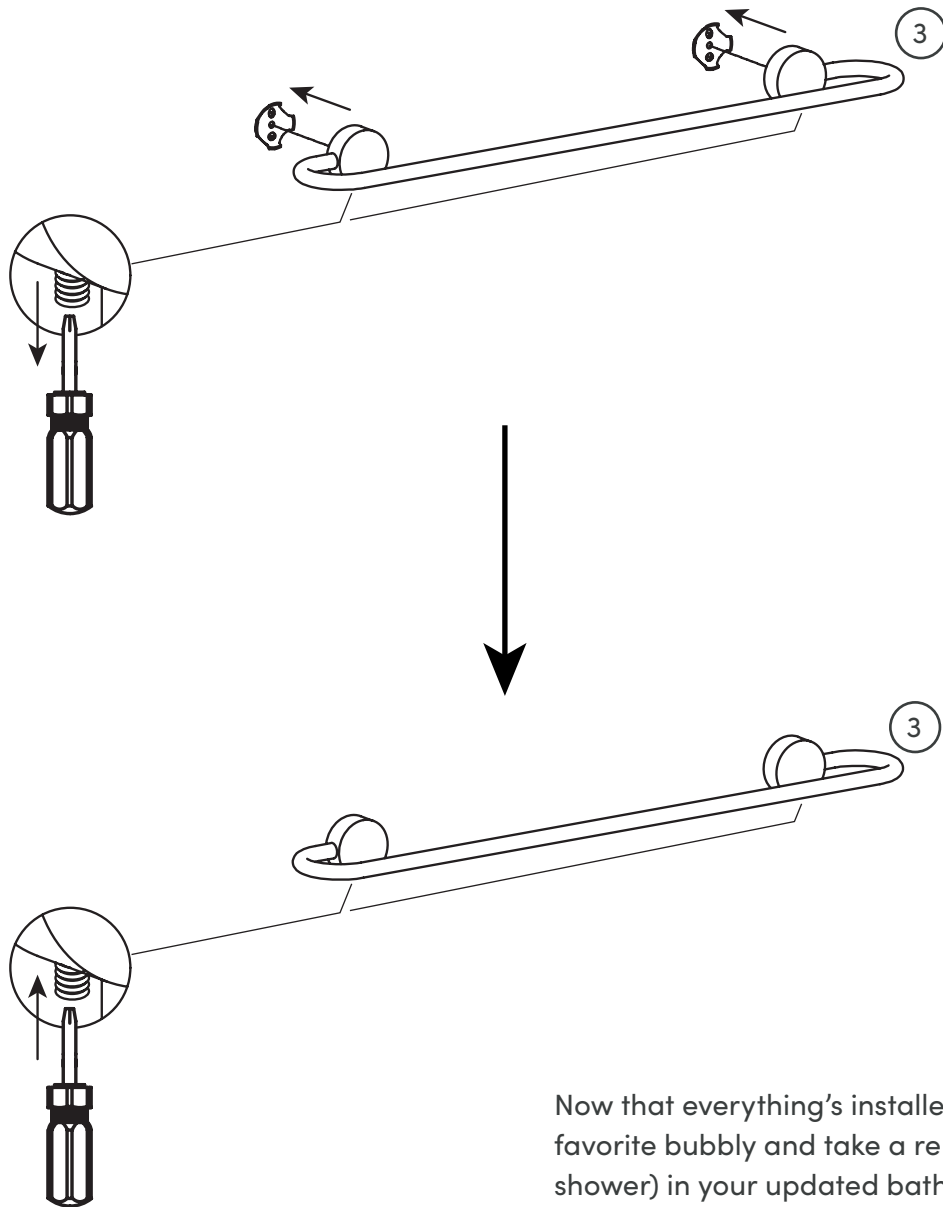


Step 14

Shower, rinse, and repeat for the Towel Bar (3).

Loosen the set screw on the bottom of the Towel Bar (3).

Then mount it over the Mounting Plate (E) and set it in place by re-tightening the set screw.



Now that everything's installed, grab your favorite bubbly and take a relaxing bath (or shower) in your updated bathroom!



Questions? Don't worry, we've got the answers

What other light bulbs can fit in this light?

The bulb must not be greater than the max wattage for the fixture. It must match the base size, and the diameter of any area of the bulb should be less than diameter of any area of shade, so that it can fit.

Can I use an LED light bulb?

Yes, so long that the base size matches and the diameter of any area of bulb is less than diameter of any area of shade, so that it can fit.

Is this UL/ETL certified?

Yes, all our products are either UL or ETL.

Do I need an electrician to set up the hardwire?

We recommend using a certified electrician for all hardwiring, although all of our fixtures can be set up without an electrician, as long as you are replacing an existing fixture or have an existing junction box ready for a fixture installation. ENSURE POWER IS OFF WHEN INSTALLING. For all new constructions, please use a certified electrician.

Can I retrofit this hard-wired to a plug-in or vice-versa?

Yes, a plug-in fixture can be turned into a hardwire fixture and a hardwire fixture can become a plug-in fixture. For many products we will provide all the necessary hardware to make these changes, if not, you will need to purchase the necessary hardware.

Is this light compatible outside North America?

Our lighting is only warranted in Canada and the United States.

What do I do if the product is not working?

Try a different light bulb and confirm proper installation.

Can these lights work on a dimmer?

Dimmability is related to the light bulb and the wall switch, not the light fixture. All our hardwire fixtures are compatible with dimmable light bulbs. We recommend using a dimmer switch, as it extends the life of the bulb and allows for energy saving and great ambiance. If using a LED bulb, please ensure both your LED bulb and dimmer switch are compatible.

Can I use the fixture outdoors?

No, this product was designed to be used indoors only in dry or damp locations.



No heartburn, when we handle the return

Give us a call **1-866-619-1004** or shoot us a message at **help@nathanjames.com** we will issue you a free replacement with **zero hassle**.

Our way



Give us a call



Replacement



You

Their way



Re-package item



Schedule pick up



Track package



Replacement



You

We really don't want you to go through the hassle of re-packaging your item and sending it back, because let's be honest...nobody has time for that.



We are only in business if you're happy

For starters, thanks for being you.

☎ Toll-free at 1-866-619-1004

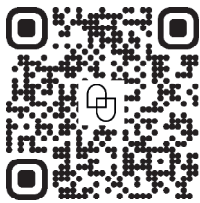
✉ Help@nathanjames.com

🌐 NathanJames.com/help

We do our best to ensure your product arrives without any problems, but occasionally mistakes happen—as humans we are imperfect beings. In the event that a part is damaged or missing, we will be more than happy to provide you with replacement part(s) for free.

Warranty

This product comes with a lifetime warranty from the date of purchase. Please use your phone to scan the QR code to register your product or visit <https://goo.gl/i9dk3q>



Did we do alright? Please spread the love!

If you are happy with your product, tell your friends and family about us or even better leave us a review online. Spreading the word gives us the opportunity to make more people happy and keep our prices low for your next purchase.

Brooklyn Burden

Founder, Nathan James