

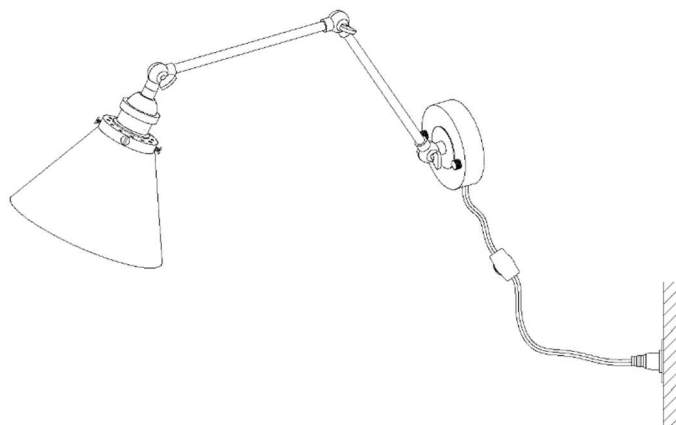
**Item Number: A03466**

**If you would connect the attached power cord into the back plate of fixture as pug-in wall sconce use .**

**WARNING** (To reduce the risk of fire, electric shock, or injury to persons):





1. We suggest installation by a **licensed electrician**.
2. Please read the instruction carefully and save it as you may need it at later time.
3. Before you start, **NEVER** attempt any work without shutting off the electricity until the work is done. A). Go to the main fuse, or circuit breaker, box in your home. Place the main power switch in the “**OFF**” position. B). Place the wall switch in the “**OFF**” position.
4. Mounting surface should be clean, dry, flat, strong enough and 1/4” larger than the canopy on all side. Any gaps between the mounting surface and canopy exceeding 3/16” should be corrected as required.
5. Make sure that the ceiling or wall can stand the weight of the lamp before fixture.
6. Make sure the voltage you are using is **120V**. The maximum wattage is **60W** per bulb.
7. Keep the lamp away from acidic and basic objects in case of damaging the surface of the lamp.
8. When replacing bulb, you should turn off or unplug the lamp and you must wait until it is cool as bulbs get hot quickly.
9. The safety instructions appearing in this manual are not meant to cover all possible conditions that may occur. It must be understood that common sense, caution and care must be used with any electrical products.

**IMAGE FOR FINISHED PRODUCT:**



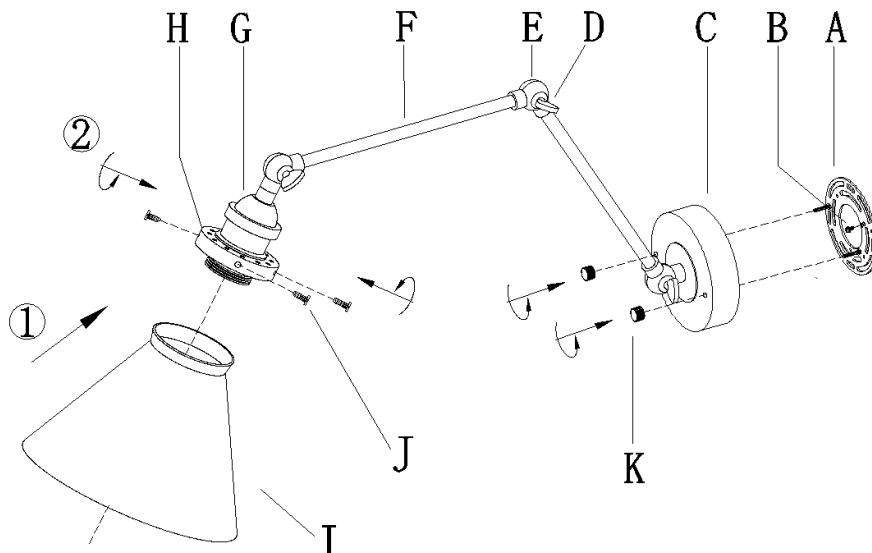
**TOOLS REQUIRED (NOT INCLUDED):**

Before doing assembly and installation please prepare the needed tools as below picture

			
Phillips head, flat blade screwdriver	Electrical tape	Portable driller	- Hammer

**PARTS TYPE & QTY INCLUDING:**

- (A) Mounting plate (1)
- (B) Green ground screw (1)
- (C) Back plate (1)
- (D) Stud (3)
- (E) Joint (3)
- (F) Arm (2)
- (G) Socket (1)
- (H) Shade base (1)
- (I) Shade (1)
- (J) Screw (3)
- (K) Ball nut (2)



**ACCESSORIES & QTY ENCLOSED:**

L	M	N	O
Power cord x 1	Wire connectors x2	Wall anchor x 2	Wood screw x 2

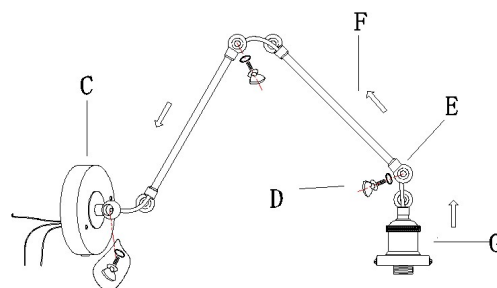
**ASSEMBLY & INSTALLATION INSTRUCTIONS:**

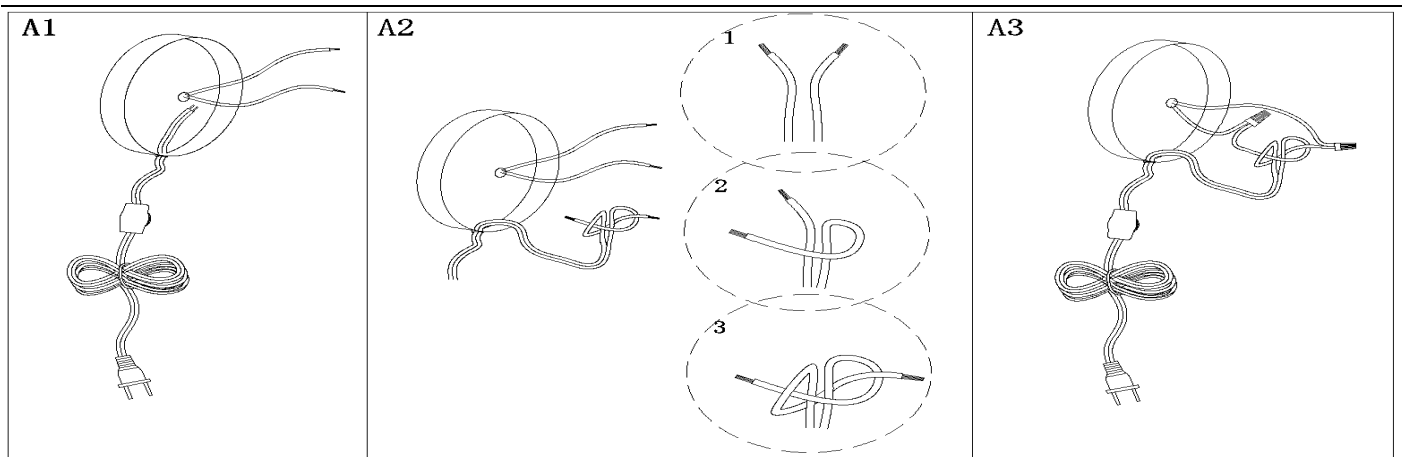
1. Carefully remove the fixture from the carton and check that all parts and accessories are included as shown in the above illustration .
2. Make fixture assembly

1) Carefully and gently pull the wires and fiberglass sleeve from the another end of arm(F) ,meanwhile push the socket (G)till two parts of joint are close each other , lay wires in the cave of joint(E), then proceed to push till the two parts are put together, secure with the stud.

Do the same to the middle joint and base joint to finish the arms assembled.

2) Make wire connections



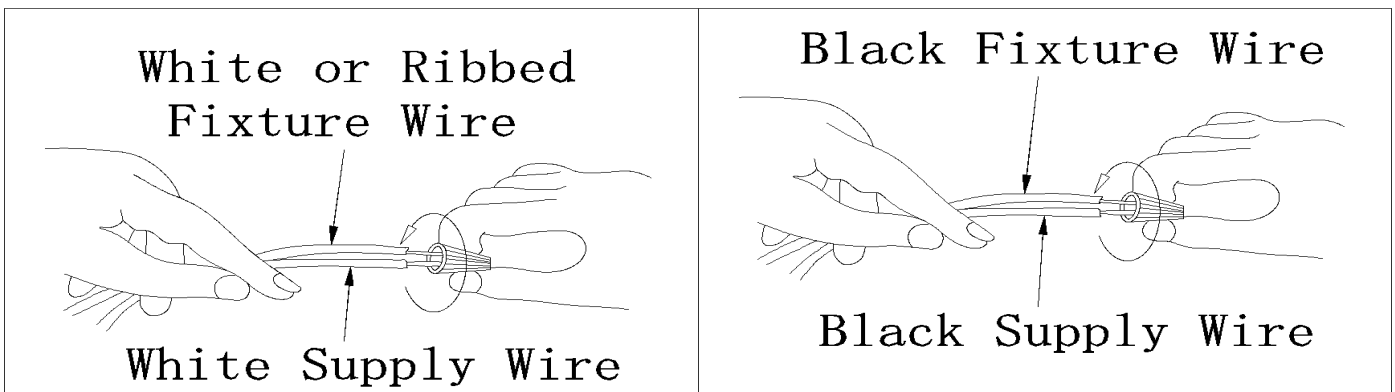


Step A1: Pass the power cord through the hole in back plate

Step A2: Make the strain relief knot:

1. Place a pair of wires to be parallel
2. Twist backward the left of wire to make a circle
3. Twist backward the right of wire over the left wire to be an arc then pass it through the first circle , gently pull the ends of wires till the knot is snug.

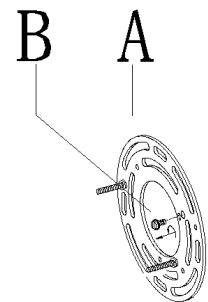
Step A3: Connect wires as below wires connecting shown. **TAKE NOTE OF YOUR WIRE COLOR OF FIXTURE ,NEVER CONNECT WIRE TO GROUND WIRE .**



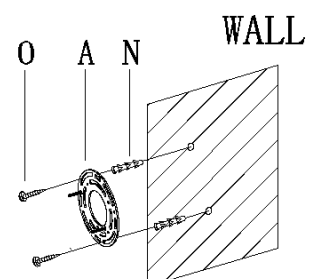
**Twist plastic wire connector until wires are tightly joined together,wrap each connector with approved electrical tape for more secure connection .**

### 3. Make fixture installation

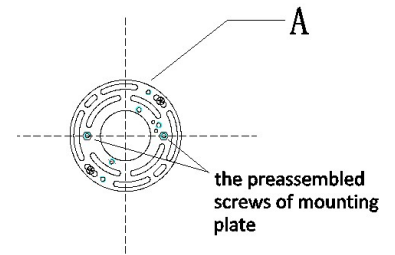
- 1) Remove and discard the preassembled ground screw(B) from the mounting plate (A).



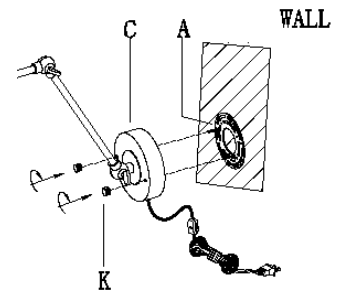
- 2) By measuring, determine the correct distance between holes needed for proper drilling hole. Use the driller to make two holes for knocking anchor (N) into the wall , then attach the mounting plate (A) to the wall with wood screws(O),



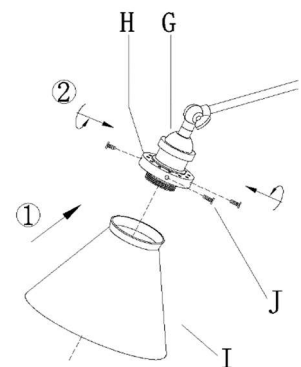
**Note :the preassembled screws of mounting plate(A)should be horizontal direction after the mounting plate mounted.If not, rotate carefully the mounting plate side to side until the angle is achieved , tighten the wood screws(o).**



3) Put the back plate (C) onto the screws of mounting plate (A) and secure with ball nuts (K)



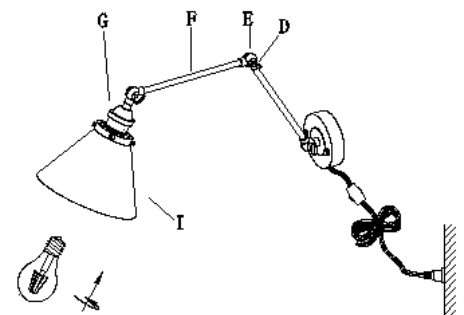
4) Unscrew the preassembled studs from the shade base(H), Position the shade (I) over the socket (G), thread the previously removed screws(J) till the screws(J) snug against the surface of shade (I).



5) Install bulb (Not included. Please do not exceed the maximum capacity recommended on the socket.)

Adjust the fixture to desired direction through unscrewing the studs(D) and adjusting the arms(F). Once the desired direction achieved, tighten the studs (D).

Plug the power cord into a outlet and turn on at switch.



#### **CLEANING**

To clean, wipe fixture with a soft cloth. Clean glass with a mild soap. Do not use abrasive materials such as scouring pads or powders, steel wool or abrasive paper.

#### **ORDERING PARTS**

Keep this sheet for future reference, and in case you need to order replacement parts. All parts for this fixture can be ordered from place of purchase. Be sure to use exact wording from illustration when ordering parts.