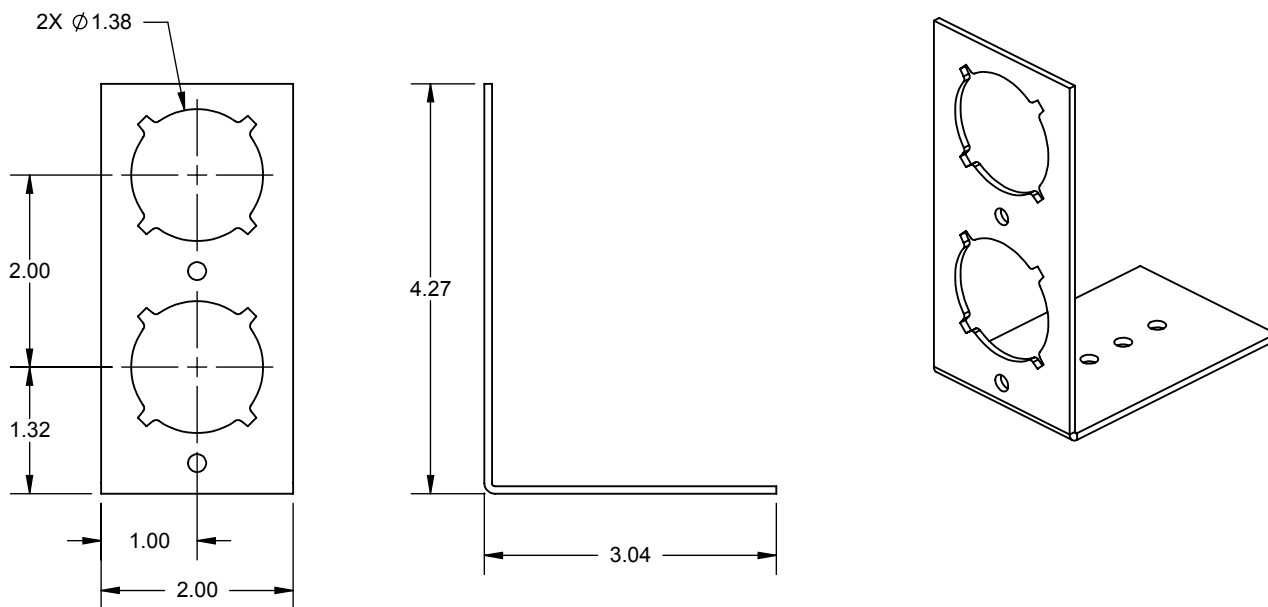


PRODUCT SPECIFICATION DRAWING

PEXRITE® #709-L



ALL DIMENSIONS IN INCHES

The PEXRITE® #709-L is a 14 gage galvanized steel bracket with 1-3/8" keyed holes providing an approximate 3" to 5" center line off of the attachment surface. Designed to work with our PEXRITE® #701 Clamp and #704 Insert. Ideal for lavatories, toilets and hose bibs. Compatible with HOLDRITE® #100 and #400 series inserts.

Product Information:

- Material: 14 gage CRS, galvanized
- Load rating: 25 pounds
- UPC / IPC / IAPMO listed



THIS INFORMATION IS PROPRIETARY TO HOLDRITE AND IS SUBJECT TO CHANGE WITHOUT NOTICE. IT MAY NOT BE REPRODUCED IN PART OR WHOLE WITHOUT WRITTEN AUTHORIZATION.



CONVERTING MAKESHIFT METHODS INTO ENGINEERED SOLUTIONSSM
 800-321-0316 OR 760-744-6944 / FAX: 760-744-0507 / WWW.HOLDRITE.COM
 spec_709-L_RevG

Product Submittal	
Job Name:	
Date:	
Part Number:	Qty:
Architect / Owner:	
Contractor:	
Notes:	