

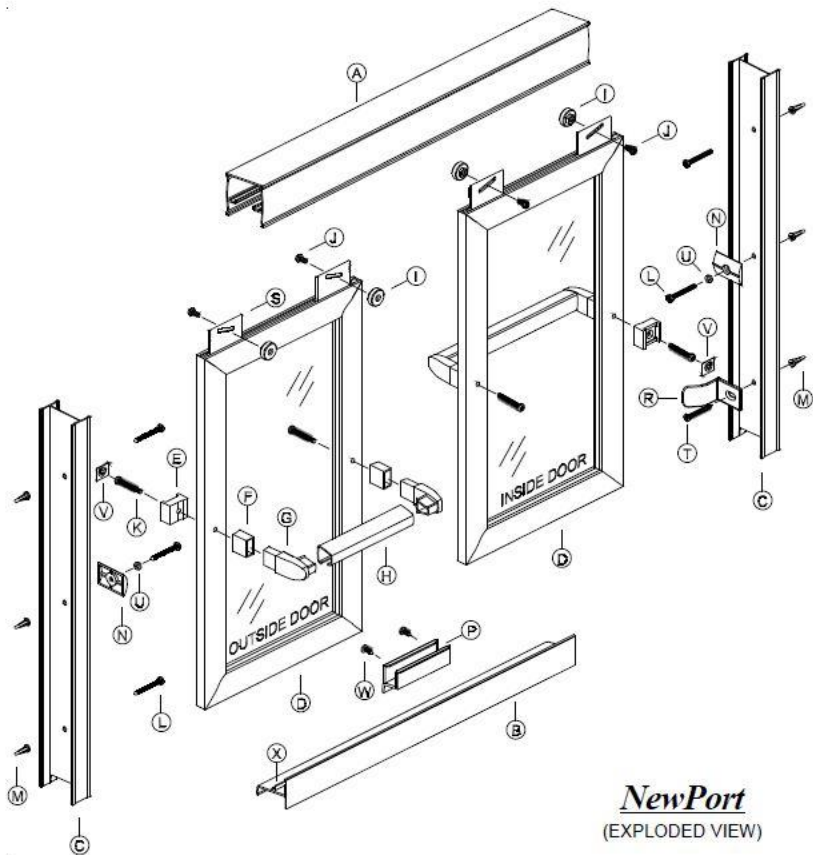
Coastal Industries Inc.

FAX NO.
(904) 641-1697

P.O BOX 16091
JACKSONVILLE FLORIDA 32245

TELEPHONE NO.
(904) 642-3970

NewPort INSTALLATION INSTRUCTIONS



NewPort
(EXPLODED VIEW)

PARTS LIST

<u>KEY LETTER</u>	<u>PART NUMBER</u>	<u>DESCRIPTION</u>	<u>QUANTITY</u>
A	800	HEADER	1
B	802	SILL	1
C	801	WALL JAMB	2
D	—	DOOR PANEL ASSEMBLY	2
E	8158	FINGER PULL, TOWEL BAR	2
F	8155B	SLEEVE, TOWEL BAR BRKT	4
G	8154	TOWEL BAR BRACKETS	4
H	89	TOWEL BAR	2
I	PN193	ROLLER	4
J	832HEX	ROLLER SCREWS	4
K	832114	TOWEL BAR SCREW	4
L	8112	INSTALLATION SCREWS	5
M	1329	PLASTIC SCREW ANCHOR	6
N	5169	BUMPER	2
P	CP806B	TRACK GUIDE	1
R	CP110	JAMB GUIDE	1
S	38	HANGER BRACKET (INSTALLED)	4
T	82F	JAMB GUIDE SCREW	1
U	CP104TW	BUMPER WASHER	2
V	8157	CI LOGO (STICKER)	2
W	638PHPT	6x38" SELF DRILLING SCREW	2
X	C494B	SILL SEAL VINYL	1

TOOLS NEEDED

HACKSAW	STANDARD SCREW DRIVER OR 1/4" WRENCH
ELECTRIC DRILL	LEVEL
3/16" MASONRY DRILL BIT	HAMMER
PENCIL / FELT TIP PEN	CENTER PUNCH
SAFETY GLASSES	PHILLIPS SCREW DRIVER
MEASURING TAPE	CLEAR CAULKING OR SEALANT (MILDEW RESISTANT)
MASKING TAPE	

Unit Installation Screws (shown full size for reference)



(J)_8.32HEX ROLLER SCREW



(W)_6.38PHT TRACK GUIDE SCREW



(K)_8.32114 TOWEL BAR SCREW



(L)_8112 INSTALLATION SCREW



(T)_82F JAMB GUIDE SCREW