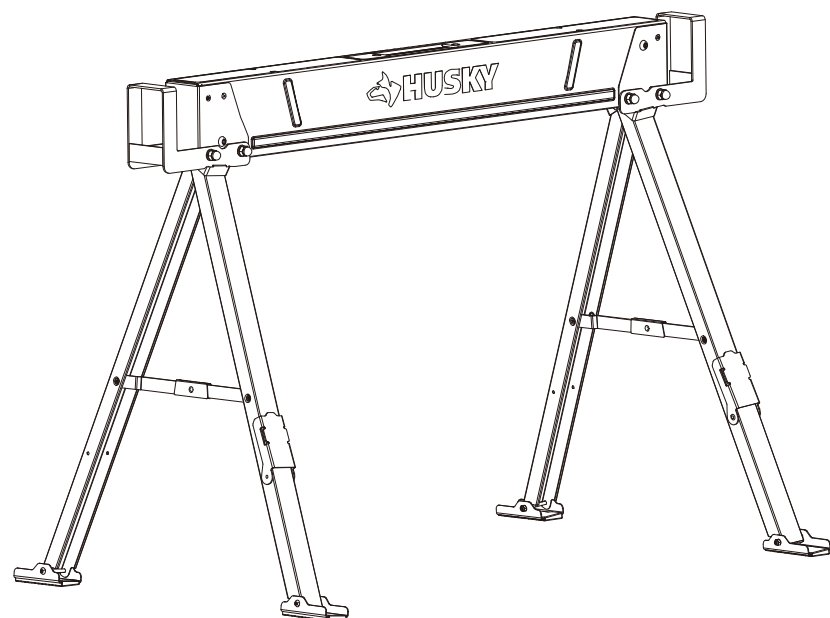




Item # 1009406863
Model # 90821

USE AND CARE GUIDE

SAW HORSE



Warranty

Limited Lifetime Warranty.
If this Husky product ever fails due to a defect in material or workmanship, return the product to any Home Depot retail store for replacement with an item of equal or greater value. This warranty excludes incidental/inconsequential damages and failures due to misuse, abuse, calibration or normal wear and tear. This warranty gives you specific rights, and you may also have other rights, which vary from state to state. Please see store or call 1-888-HD-HUSKY for details.

Specifications

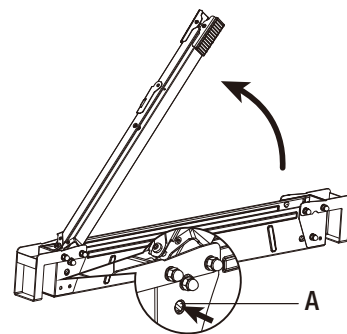
Max distributed load	1100 lbs. / 498.9 kg
----------------------	----------------------

Operation

1. Unfolding the legs

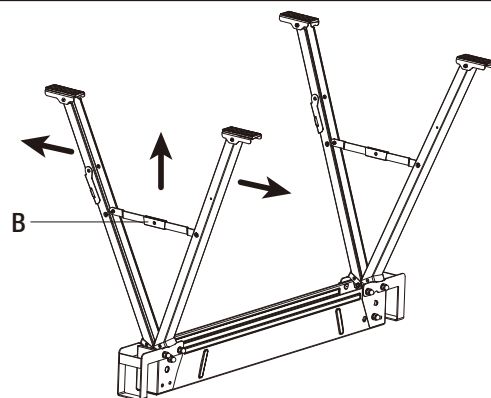
- To fully release the first set of legs, place the sawhorse in the upside-down position and press the release button (A) labeled "OPEN 1st".

NOTE: To avoid any marring or scratching, place the sawhorse on a soft surface.



2. Opening and locking the legs

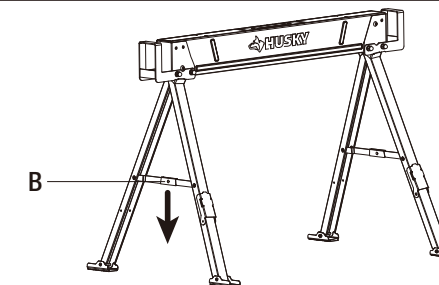
- Pull the legs outward to fully extend as shown and push the leg brace (B) to the locked position.
- Repeat steps 1 and 2 to open the second set of legs.



Operation

3. Turning over to in-use position

- Ensure that all leg braces (B) are in the locked-out position and place the sawhorse into the upright position. Also ensure that all four feet are on a level surface when in use.

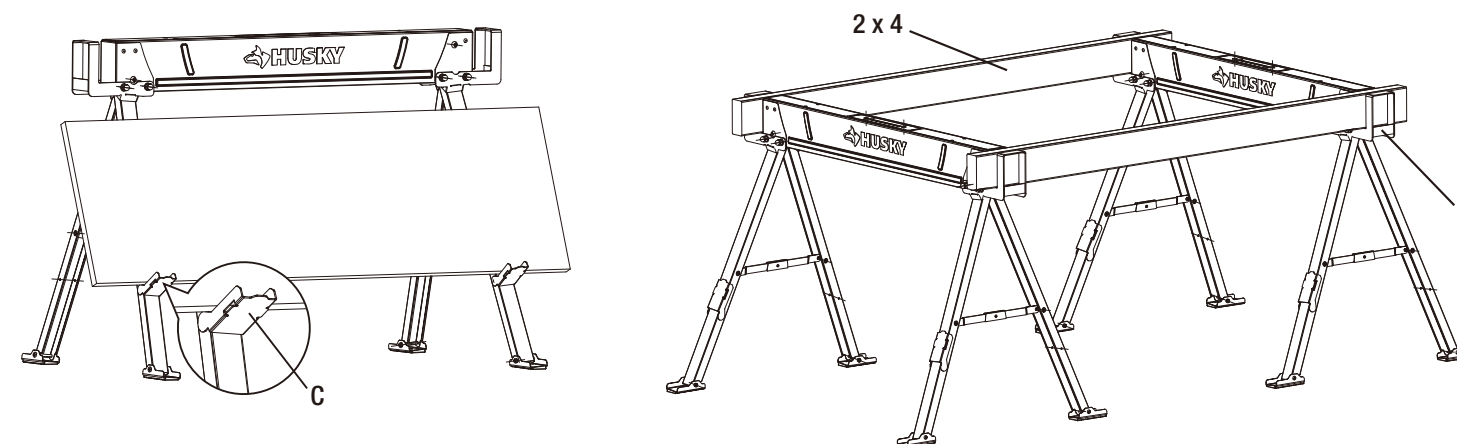


4. Using the material support pegs and setting up a sawhorse

- Unfold the material support pegs (C) on the legs to hold materials.

NOTE: The maximum load is 80 lbs for each support peg (C).

- The support arms (D) are designed lumber of 2 x 4.
- A pair of sawhorses can be utilized to build a work table as shown below.



Storage

Please press the button labeled "CLOSE 1ST" to fold the 1st set of legs then repeat to fold the second set of legs with care. Please store in a cool, dry place and out of the reach of children.

Safety Information



CAUTION: Check the sawhorse to make sure it does not rock, slide or move before use. Please make sure all components are secure before use. Ensure that the sawhorse legs are fully extended with the leg braces in the locked position prior to use. Please make sure all legs and foot are level and have solid contact with ground before use. Please ensure work area is well lighted while working. This sawhorse is designed for use on flat, dry surfaces. Prior to each use, inspect sawhorse for any damage and remove any obstacles or debris.



WARNING: Do not attempt to overload the sawhorse beyond a maximum capacity of 1100 lbs./498.9kg (max capacity of 2200 lbs./997.8kg when using pair of sawhorses). Never stack sawhorses to obtain extra height. Always wear safety gloves, goggles or safety glasses with side shield, along with hearing protection. Dress properly. DO NOT wear loose clothing or jewelry. Keep your hair, clothing and gloves away from moving parts. Loose clothes, jewelry or long hair can be caught in moving parts. DO NOT let familiarity with tools allow you to become complacent and ignore tool safety principles. A careless action can cause severe injury within a fraction of a second. Do not stand on sawhorse or work underneath it. Do not use as a scaffold nor attempt to move the sawhorse in any manner when it is bearing weight.