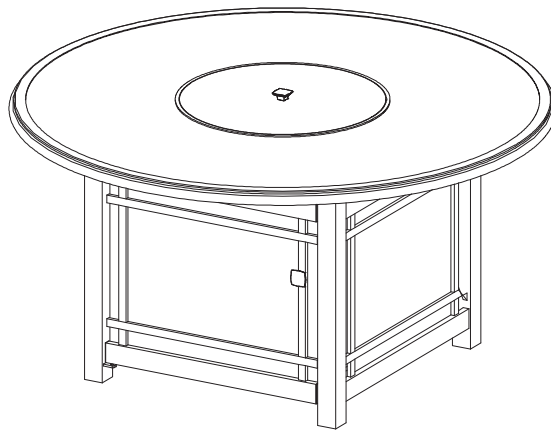


USE AND CARE GUIDE

HAZELHURST 5PC LP FIRE CHAT SET-TABLE



Questions, problems, missing parts? Before returning to the store,
call Home Decorators Collection Customer Service
8 a.m. – 7 p.m., EST, Monday – Friday, 9 a.m. – 6 p.m., EST, Saturday

1-800-986-3460



HOMEDEPOT.COM/HOMEDECORATORS



WARNING:

Improper installation, adjustment, alteration, service, or maintenance can cause injury or property damage.
Read the installation, operating, and maintenance instructions thoroughly before installing or servicing this equipment.

THANK YOU

We appreciate the trust and confidence you have placed in Home Decorators Collection through the purchase of this fire pit table. We strive to continually create quality products designed to enhance your home. Visit us online to see our full line of products available for your home improvement needs. Thank you for choosing Home Decorators Collection!

Table of Contents

Table of Contents	2	Operation	14
Important Safety Instructions	3	Leak Check	14
Specification	4	Lighting.....	14
Safety Warning	5	Shutting Down the Gas Appliance	15
Pre- Assembly	7	How to Disconnect the Cylinder	15
Assembly	9	Gas Cylinder Required	15
Structure of the Gas Firepit	11	Troubleshooting	16
Installation	12	Cleaning and Clearing	16
Location.....	12	Storage and Maintenance	17
Setting Up.....	12	Limited Warranty	17
Loading the Propane Tank.....	12		
Loading the Battery	13		
Gas Connection.....	13		

Important Safety Instructions

SAVE THESE INSTRUCTIONS



WARNING: FUELS USED IN LIQUEFIED PROPANE GAS APPLIANCES, AND THE PRODUCTS OF COMBUSTION OF SUCH FUELS, CAN EXPOSE YOU TO CHEMICALS INCLUDING BENZENE, WHICH IS KNOWN TO THE STATE OF CALIFORNIA TO CAUSE CANCER AND CAUSE BIRTH DEFECTS OR OTHER REPRODUCTIVE HARM. For more information go to: www.P65Warnings.ca.gov.



WARNING: For outdoor use only.
Installation and service must be performed by a qualified installer, service agency, or the gas supplier.



DANGER: FIRE OR EXPLOSION HAZARD

If you smell gas:

1. Shut off gas to the appliance.
2. Extinguish any open flame.
3. If odor continues, leave the area immediately
4. After leaving the area, call your gas supplier or fire department.

Failure to follow these instructions could result in fire or explosion, which could cause property damage, personal injury, or death.



WARNING: If the information in this manual is not followed exactly, a fire or explosion may result causing property damage, personal injury, or loss of life.



WARNING: Improper installation, adjustment, alteration, service or maintenance can cause injury or property damage.
Read the installation, operating and maintenance instructions thoroughly before installing or servicing this equipment.



WARNING: Do not store or use gasoline or other flammable liquids or vapors in the vicinity of any other appliance.
An LP cylinder not connected for use shall not be stored in the vicinity of this or any other appliance.



DANGER: CARBON MONOXIDE HAZARD

1. This appliance can produce carbon monoxide, which has no odor.
2. Using it in an enclosed space can result in death.
3. Never use this appliance in an enclosed space such as a camper, tent, car or home.



WARNING: Do not connect to a remote gas supply.



FOR YOUR SAFETY : Surfaces of fire pit can remain extremely hot for a period after use. Allow 45 minutes to cool down before touching or moving the fire pit.

INSTALLER: Leave this manual with the appliance
CONSUMER: Retain this manual for future reference.

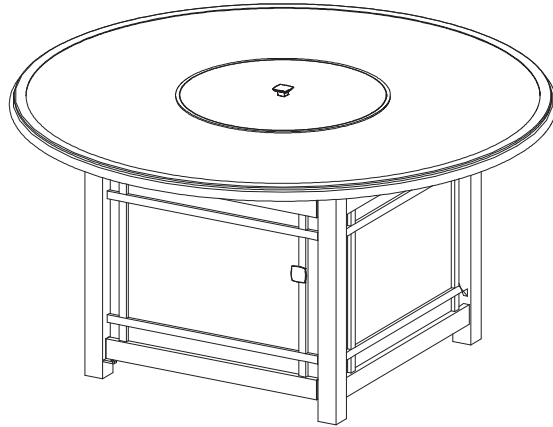
This appliance complies with ANS Z21.97-2017/CSA 2.41-2017 outdoor decorative gas appliances.

READ ALL INSTRUCTIONS BEFORE USE

To reduce the risk of injury to persons:

1. Close supervision is necessary when this furnishing is used by or near children, or disabled persons, if applicable.
2. Use this furnishing only for its intended use as described in these instructions. Do not use attachments not recommended by the manufacturer.

Specifications



Product Name	Hazelhurst 5pc LP fire chat set-Table
Model No.	GT-11379-AAR
Rated Heat Input	55,000 BTU
Fuel	Propane
Gas Supply	20-lb LP gas cylinder
Manifold Pressure	11 in. water column
Orifice Size (diameter)	0.09 in. (2.3mm)
Gas Supply Pressure	250 PSI (max)
Dimension (LxWxH)	51.97 in. x 51.97 in. x 25.98 in.
Weight (w/o tank)	NW: 77.2 lbs GW: 114.09 lbs

Safety Warnings



CAUTION

When the appliance is connected to a fixed-gas system, the installation must conform with local codes, or in the absence of local codes with the National Fuel Gas Code, ANSZ223.1/NFPA54; International Fuel Gas Code, Natural Gas and Propane Installation Code, CSAB149.1; or Propane Storage and Handling Code, B149.2, as applicable.



CAUTION

The LP gas supply cylinder used must be:

1. Constructed and marked in accordance with the U.S. Department of Transportation (DOT) Specifications for LP Gas Cylinders, or the Standard for Cylinders, Spheres and Tubes for Transportation of Dangerous Goods and Commission, CAN/CSA-B339 as applicable.
2. Provided with a listed overfill prevention device.
3. Provided with cylinder connection device compatible with the connection for the appliance.



CAUTION

- Always place the appliance on a firm and level surface.
- Solid fuels shall not be burned in this gas appliance.
- The appliance shall be used only outdoors in a well-ventilated space and shall not be used in a building, garage or any other enclosed area.
- When in use, keep the appliance area clear with at least 48 in. (121.9 cm) on the sides and 72 in. (182.9 cm) on top away from combustible materials, gasoline and other flammable liquid and vapors.
- Do not use the appliance under combustible surfaces. Certain items or materials, when stored under the appliance or nearby, will be subjected to radiant heat and could be damaged. Inspect the hose assembly and burner prior to each use. If there is evidence of excessive abrasion or wear, or if the hose or burner is damaged, it must be replaced by an appropriate part from the manufacturer.
- Inspect the gas connections of the appliance prior to each use. Do not operate the unit if there is a gas leak. Have the appliance inspected annually by a qualified service person.
- The pressure regulator and hose assembly provided with the appliance must be used.
- The replacement part must be the same as specified by the manufacturer. To attach the LP gas cylinder please refer to the "Gas Connection" section on page 13 and perform the leak check on page 14.

Safety Warnings (continued)



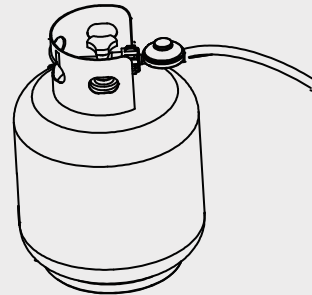
CAUTION

- ❑ Children and adults should be alerted to the hazards of high surface temperature and should stay away to avoid burns or prevent clothing from igniting.
- ❑ Young children should be carefully supervised when they are in the area of the appliance.
- ❑ Clothing or other flammable materials should not be hung from the appliance or placed on or near the appliance.
- ❑ Any guard or other protective device removed for servicing the appliance must be replaced prior to operating the appliance.



CAUTION

- ❑ Installation and repair should be done by a qualified service person. The appliance should be inspected before use and at least annually by a qualified service person. More frequent cleaning may be required as necessary. It is imperative that the control compartment, burners, and circulating air passageways of the appliance are kept clean.
- ❑ Do not use the appliance if any part has been under water. Immediately call a qualified technician to inspect the appliance and to replace any part of the control system and any gas control which has been under water.
- ❑ The LP gas supply cylinder to be used must be constructed and marked in accordance with the specifications for LP gas cylinders of the U. S. Department of Transportation (DOT). See page 15.
- ❑ The cylinder system must be arranged for vapor withdrawal, and the cylinder must include a collar to protect the cylinder valve.
- ❑ Use only 20 lb (9 kg) LP gas cylinders.
- ❑ Do not burn wood or any other materials in this appliance.



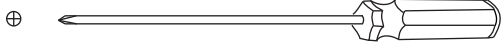
- ❑ The burner must be replaced prior to the appliance being put into operation if it is evident that the burner is damaged. The replacement burner must be the same as the part specified by manufacturer.
- ❑ To clean the appliance, including the burner, please refer to the "Cleaning and Clearing" section on page 16.
- ❑ Do not try to cool glass beads with water soon after shutting off the gas appliance or they will break.
- ❑ Do not use the gas appliance in strong wind and/or heavy rain.

Pre-Assembly

PLANNING ASSEMBLY

It will take two people about 30 minutes to complete the assembly process.

TOOLS NEEDED



Philips screwdriver

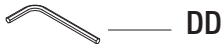
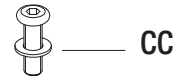
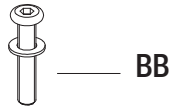
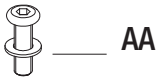


AAA Battery (1 pc)

HARDWARE INCLUDED



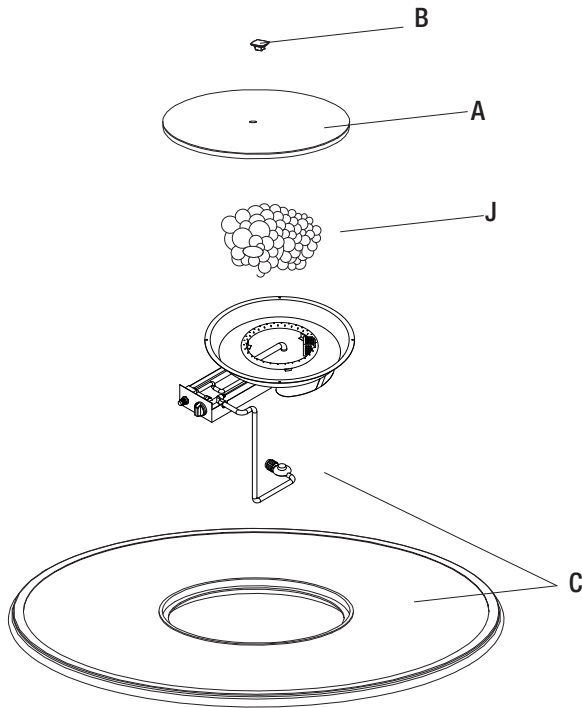
NOTE: Hardware not shown to actual size.



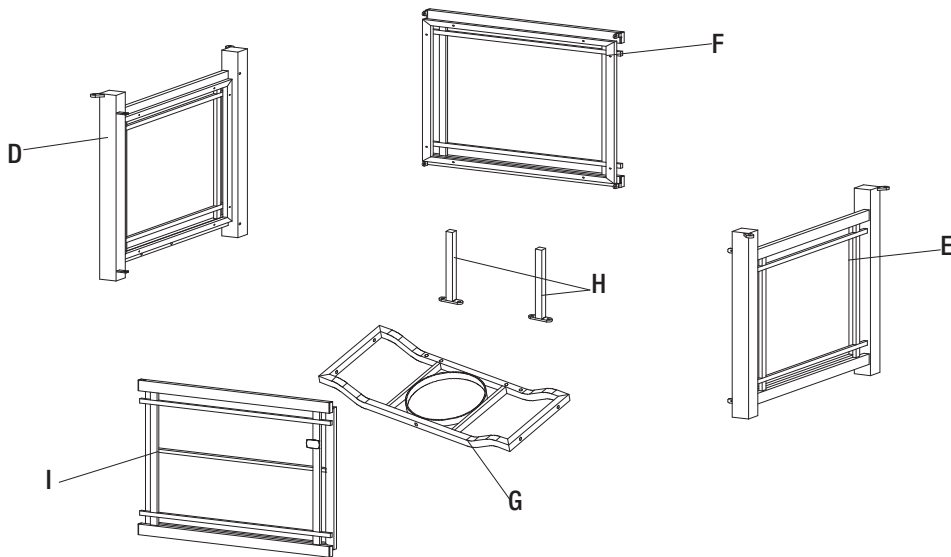
Part	Description	Quantity
AA	Allen combination bolt (M6 x 25)	1
BB	Allen combination bolt (M6 x 35)	10
CC	Allen combination bolt (M6 x 20)	8
DD	Allen wrench	1

Pre-Assembly (continued)

PACKAGE CONTENTS



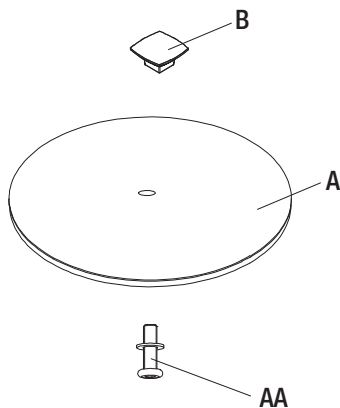
Part	Description	Quantity
A	Lid	1
B	Button	1
C	Table top incl. gas surface	1
D	Left panel	1
E	Right panel	1
F	Rear barrel	1
G	Tank rack	1
H	Tank barrel	2
I	Front assess door	1
J	Glass beads	17 lbs (8 kg)



Assembly

1 Attaching the button to the lid

- Attach the button (B) to the lid (A) with M6 x 25mm combination bolts (AA). Tighten the bolts with the allen wrench (DD).

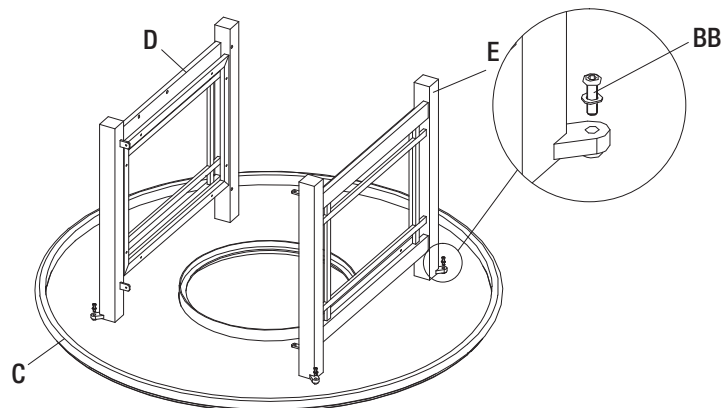


2 Attaching the side panel to the table top

- Attach the left panel (D) and right panel (E) to the table top (C) with M6 x 35mm combination bolts (BB).

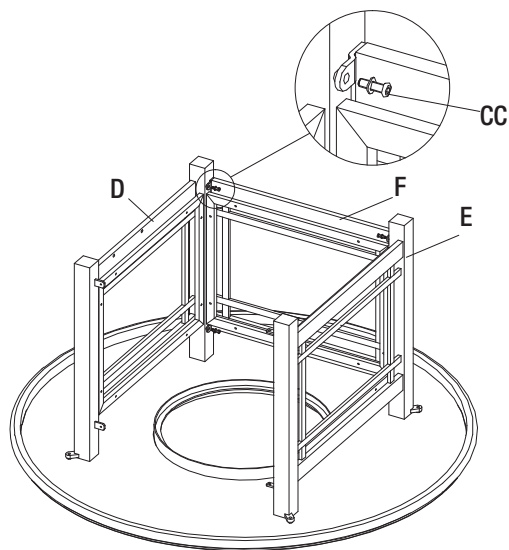


NOTE: Please ensure all bolts are aligned and assembled correctly. Do not tighten bolts until the frame assembly is complete.



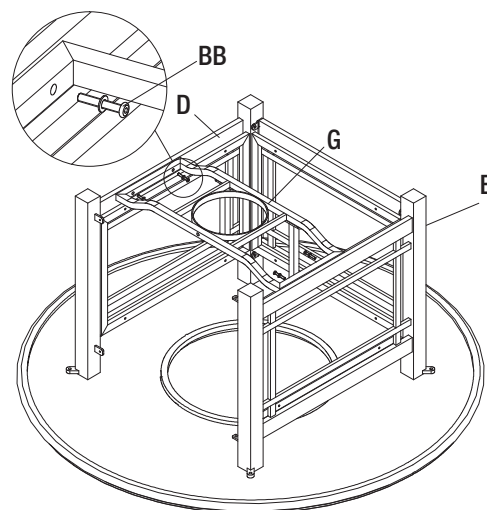
3 Attaching the rear panel

- Attach the rear panel (F) to the side panels (D & E) with M6 x 20mm combination bolts (CC).



4 Attaching the tank rack

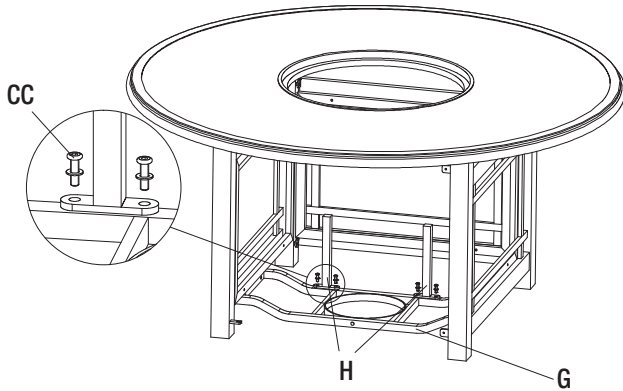
- Attach the tank rack (G) to the side panels (D & E) with M6 x 35mm combination bolts (BB).



Assembly (continued)

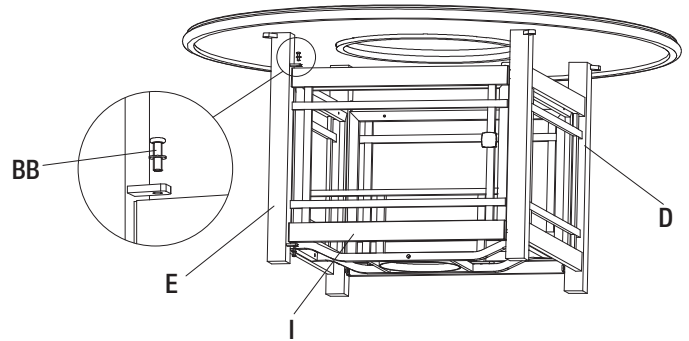
5 Attaching the tank barrel

- Attach the tank barrel (H) to the tank rack (G) with the M6 x 20mm combination bolts (CC).



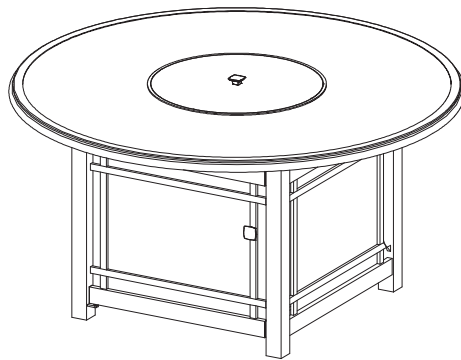
6 Attaching the front access door

- Attach the front access door (I) to the side panels (D & E) with the M6 x 35mm combination bolts (BB).
- Tighten all the bolts with the M6 allen wrench (DD).

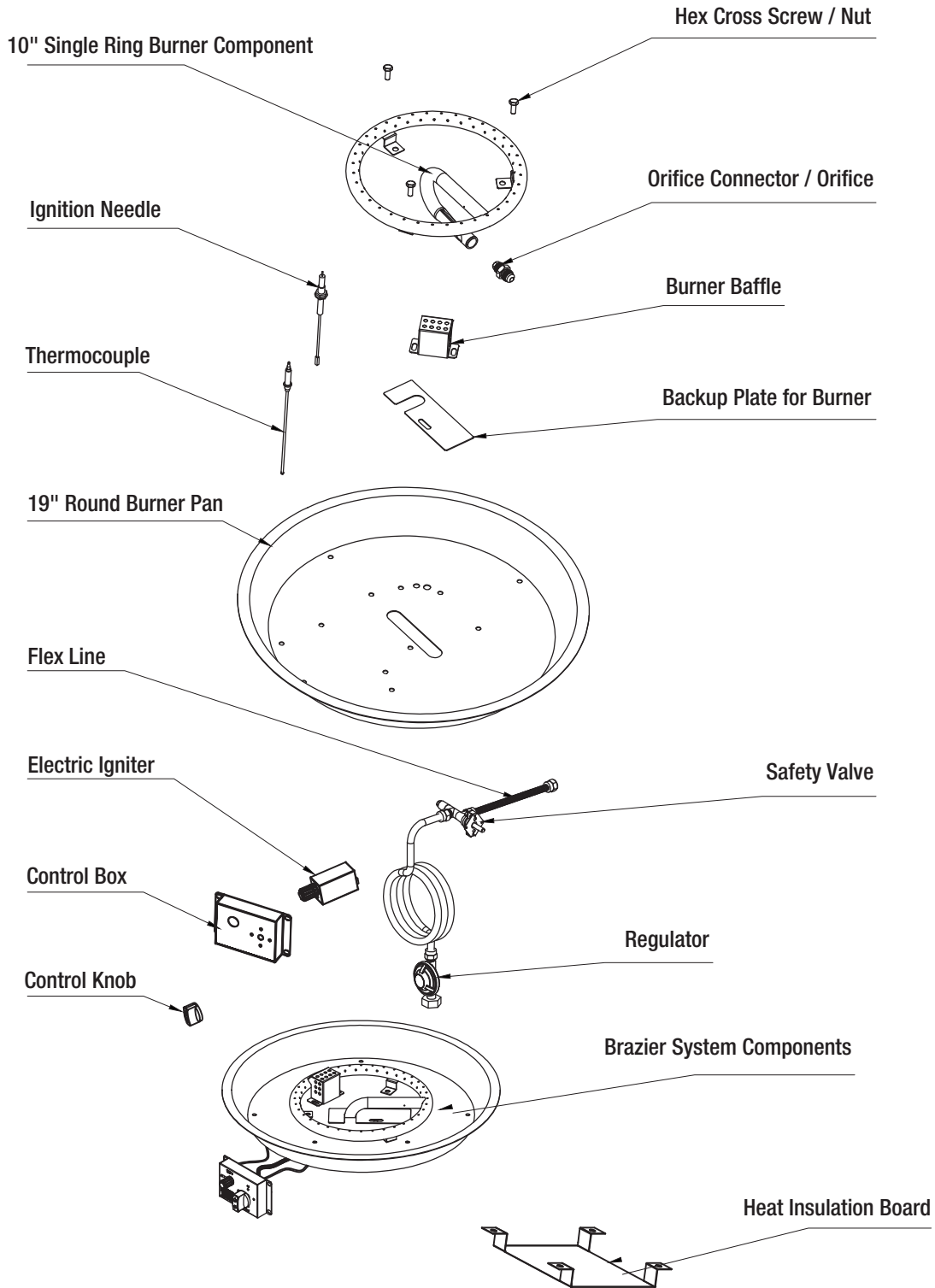


7 Positioning the table

- Turn the table right side up.
- Put the glass beads (J) on the bowl. Put the lid on.



Structure of the Gas Firepit



NOTE: If any part is damaged during the one year limited warranty period, please contact the Home Decorators Collection customer service center for replenishment or replacement with the part number provided.

Installation

1 Location

- Your gas appliance must be installed on a flat, stable surface, away from any combustible materials or construction. Installation will be much easier with two or more people.
- Minimum clearance from combustible constructions: rear and side: 36 in. / 914 mm, top 72 in. / 1829 mm. (Fig.1)



NOTE: Do not place this appliance on grass or dirt areas. This may prevent proper safety venting.

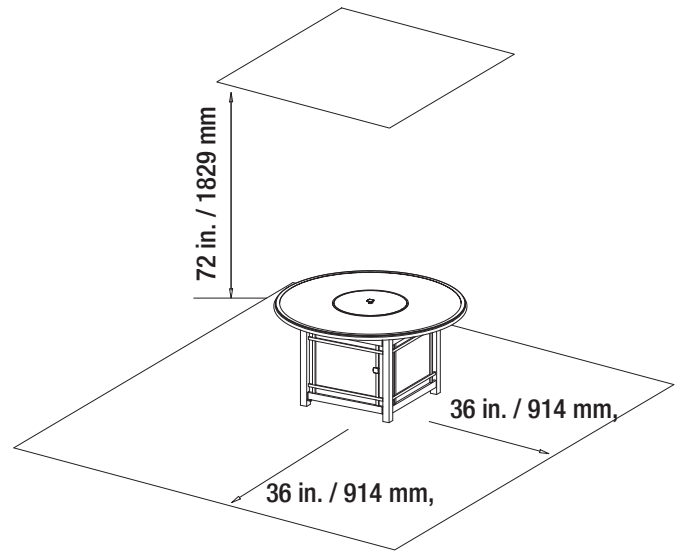


Fig. 1

2 Loading the propane tank

- Open the door. (Fig. 2)

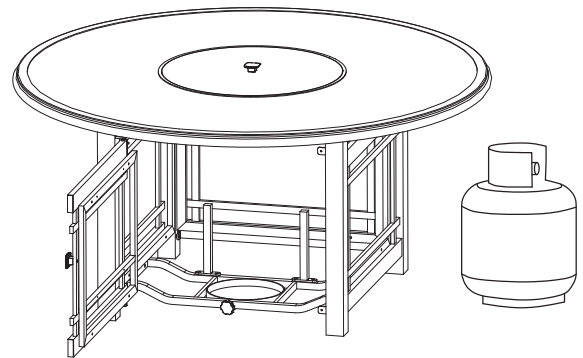


Fig. 2

- Put the tank into the tank rack
- Use the rotation knob (#1) to position the tank in the tank rack. (Fig. 3)

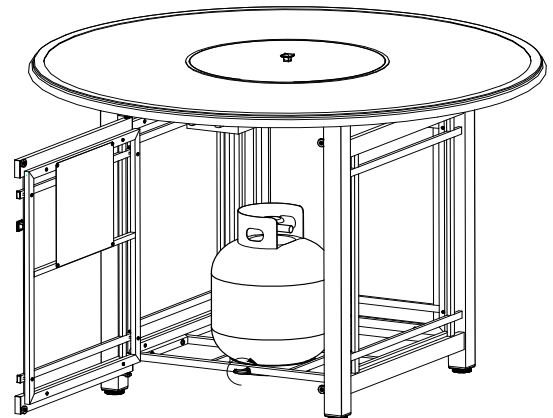


Fig. 3

Installation (continued)

3 Loading the battery

- Unscrew the battery box and insert the negative electrode side of the battery into the bottom of the battery box.
- Cover the battery with the plastic cover (#3). (Fig.4)



NOTE: Please follow the above instructions to replace the battery when needed.

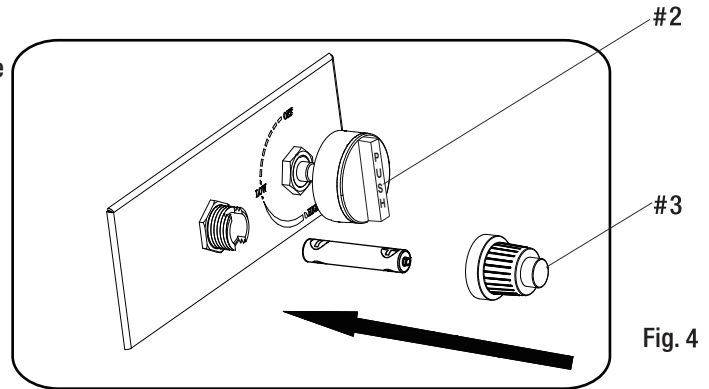


Fig. 4

4 Connecting the gas

- Connect the pressure regulator (#4) to the tank by rotating the knob (#5) clockwise until it is fully secured. (Fig.5)
Make sure there is no leakage or damage
- Please refer to the "Leak Check" information and instructions on how to check for hose or burner damage on page 14.



IMPORTANT: If the knob (#5) is not properly threaded to the outlet of the cylinder, gas leakage can occur.

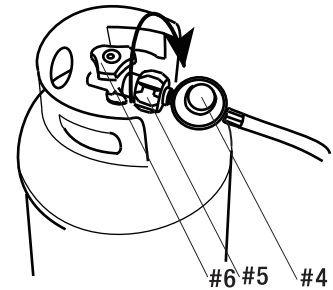


Fig. 5

- Close the door. (Fig.6)
- Remove the lid (A) and place glass beads (J) into the fire bowl, making sure to keep the igniter block (#6) open. (Fig.7)

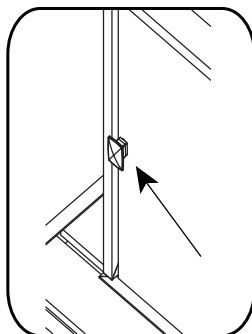


Fig. 6

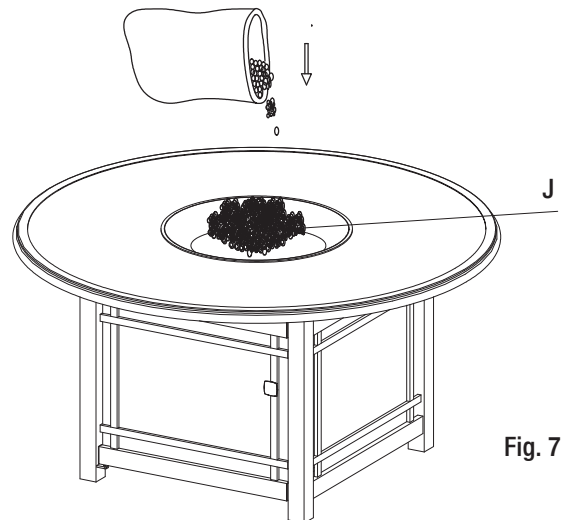


Fig. 7

Operation

LEAK CHECK



WARNING:

- Do not use an open flame to check for leaks.
- Do not smoke during testing.
- Do not test indoors.
- A leak check must be performed whenever the gas cylinder is replaced.

1. Make sure the gas control knob (#2) is on the "OFF" position. Open access doors.
2. Make sure the gas cylinder is correctly and securely connected to the pressure regulator, with a tight fit.
3. Turn on the gas cylinder valve (#7). Apply 50% soap and 50% water solution to the gas hose at connections between the knob (#5) and the gas cylinder.
4. If there is a leak, you will see bubbles form. In the case of a leak, turn off the gas connections. Reconnect the gas hose and retest. If the leak persists, consult the customer service center for assistance.
5. If the connection is sound, continue to the next step.

LIGHTING

1. Make sure control knob (#2) is on the "OFF" position on the control panel. (Fig. 8)
2. Open the access doors. Turn on the gas cylinder valve (#7) to the fully opened position. (Fig. 9)
3. Push and turn the knob (#2) to "HIGH".
4. Hold the ignitor (#3) to light the burner. Release the control knob (#2) after 45 seconds. (Fig.10)
5. If there is no fire turn the control knob (#2) to "OFF", wait 5 minutes, and repeat from step 3 on.
6. Adjust flame to the desired level with the control knob (#2). (Fig.10)

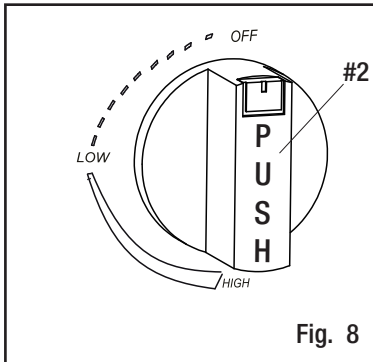


Fig. 8

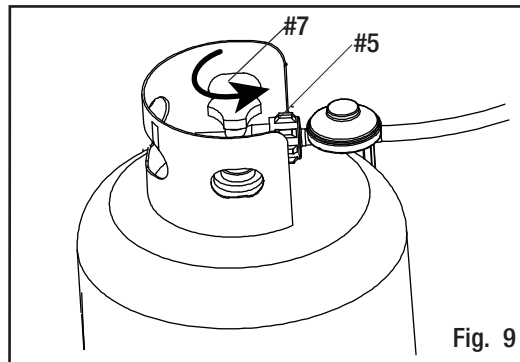


Fig. 9

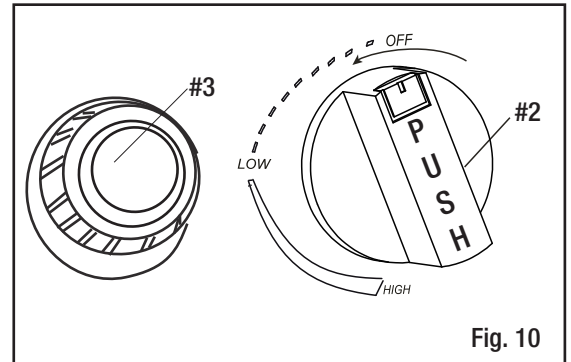
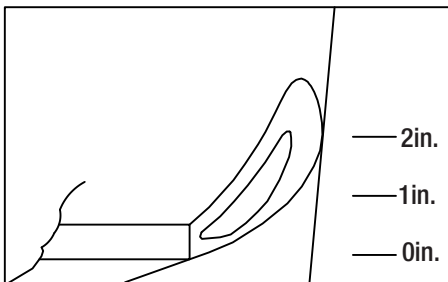


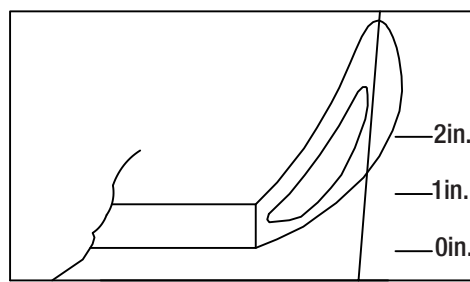
Fig. 10



WARNING: Do not operate if there is a kink in the flexible gas hose, as this could lead to a gas leak.



Normal



Abnormal



WARNING: Lighting the appliance improperly could lead to unsafe conditions.

Operation (continued)

SHUTTING DOWN THE GAS APPLIANCE

1. Turn the gas control knob (#2) to "OFF" to shut down appliance.
2. Turn the gas cylinder valve (#7) off when the gas appliance is not in use.



WARNING: Do not try to cool glass beads with cold water right after shutting down the gas appliance or they will crack.
Do not allow children to play with glass beads.

HOW TO DISCONNECT THE CYLINDER

1. Make sure the gas cylinder valve (#7) is fully tightened.
2. Turn the knob (#5) counterclockwise to detach the pressure regulator (#4) from the cylinder.
3. You can use soapy water to check if there is gas leakage at the outlet. (Fig.11)

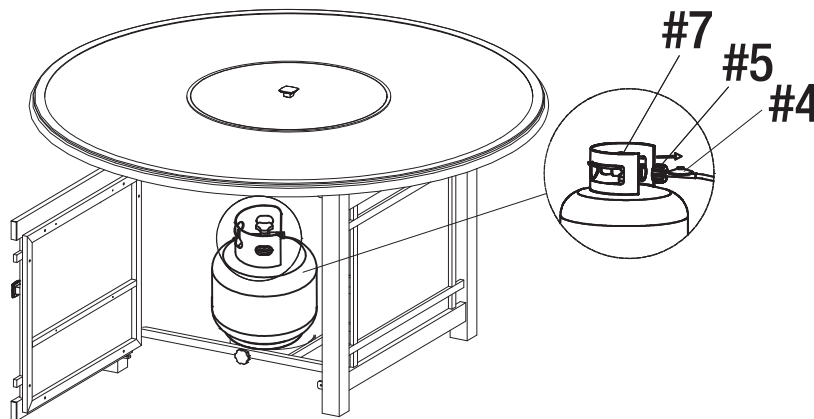
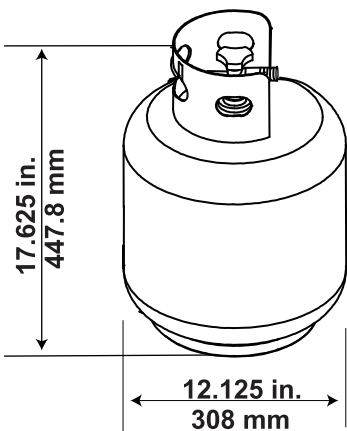


Fig. 11

Gas Cylinder Requirement



20-lb QCC OPD Barbecue Tank
Diameter: 12.125 in. / 308 mm
Height: 17.625 in. / 447.8 mm
TW (Tare Weight): 16.6 lbs
WC (Water Capacity): 47.6 lbs

Other cylinders may be acceptable for use with the appliance provided they are compatible with the appliance retention means; have a listed overfilling prevention device; and have a cylinder connection device compatible with the connection for the appliance.



NOTE: Cylinder is not included in this unit.

Troubleshooting

Problem Observed	Possible Cause	Corrective Measures
There is a gas odor.	<input type="checkbox"/> There is a gas leak.	<input type="checkbox"/> Perform the steps in "Leak Check" on page 14. <input type="checkbox"/> If odor continues shut off gas supply and contact your customer service department.
The ignition is delayed.	<input type="checkbox"/> The gas pressure is low. <input type="checkbox"/> The burner ports are clogged or dirty. <input type="checkbox"/> The orifice is blocked. <input type="checkbox"/> The battery is dead.	<input type="checkbox"/> Check gas supply pressure. <input type="checkbox"/> Clean burner ports with a wire brush. <input type="checkbox"/> Clear orifice opening of any debris. <input type="checkbox"/> Replace with a new battery.
The burner flame is low or insufficient.	<input type="checkbox"/> The gas pressure is low, or there is no gas supply. <input type="checkbox"/> The orifice is blocked. <input type="checkbox"/> The burner ports are clogged or dirty.	<input type="checkbox"/> The gas pressure is low. <input type="checkbox"/> The orifice is blocked. <input type="checkbox"/> The burner ports are clogged or dirty.

Cleaning and Clearing

To enjoy outstanding performance of your appliance for years, perform the following maintenance activities on a regular basis.

- Keep exterior surfaces clean.
- Use warm soapy water for cleaning. Never use flammable, corrosive or abrasive cleaners.
- Clean the holes in the burner using a swab that is moistened with soapy water.
- Keep the burner holes unobstructed by using a heavy-duty pipe cleaner. The burner must be dry before normal use. Clean annually. Compressed air may help clear away smaller particles.
- While washing your unit, be sure to keep the area around the burner and pilot assembly dry at all times.
- If the gas control knob (#2) is exposed to water in any way, DO NOT try to use it. It must be replaced.
- After extended non-operation, the unit should be inspected for spiders, spider webs and insects. Spiders and insects can nest in the burner or in orifices.
- Air flows must be unobstructed. Keep controls, burner and circulating air passageways clean.
- Signs of possible blockage include: gas odor with extreme yellow tipping of the flame, uneven gas flow, popping noises coming from the burner.

Storage and Maintenance

To obtain the best performance from your appliance, you must perform the following storage and maintenance activities on a regular basis:

- Before disconnecting and removing the gas cylinder after use, allow 45 minutes for the appliance to cool down.
- Disconnect the gas cylinder from the appliance.
- Store the gas cylinder in a dry, well-ventilated and sheltered area protected from inclement weather and dust, out of the reach of children. Do not store in a building, garage or any other closed area.
- The appliance may be stored indoors only if the cylinder is disconnected and removed from the appliance.
- Keep the appliance area clear and free from combustible materials, gasoline and other flammable vapors and liquids.
- The appliance should be inspected before use and at least annually. More frequent cleaning may be required if necessary. It is imperative that the control compartment, burner and circulating air passageways of the appliance be kept clean.

Limited Warranty

Subject to the conditions set out below, this product is warranted to the original purchaser to be free from defects in workmanship and materials for five (5) years for the frame and one (1) year for the fire pit from the date of purchase.

- Dated proof of purchase is required at the time that the warranty claim is submitted.
- This warranty covers all parts found defective in workmanship and/or materials during the warranty period. The manufacturer may repair the product or send replacement parts to its discretion at no cost to the original purchaser.
- This warranty will be void if the product has not been assembled, installed or operated according to the instructions, or subjected to abuse.
- This warranty will also be void if the product is improperly treated, neglected, rusted by exposure to the elements, misused and/or if any repairs, maintenance or service has been done by an unauthorized person.
- Returns must be properly packaged and returned with freight prepaid to the dealer/retailer from which the product was purchased.
- The manufacturer, distributor and retailer will not be liable for any incidental or consequential loss or damage arising from the installation or operation of the product and/or the failure of any part or any reason.
- There are no other express or implied warranties, except for those stipulated.
- This warranty gives specific rights to the original purchaser. The original purchaser may have additional rights and remedies in state law. This warranty does not cover commercial use.

Serial No.:

**HOME
DECORATORS
COLLECTION®**

**Questions, problems, missing parts? Before returning to the store,
call Home Decorators Collection Customer Service
8 a.m. – 7 p.m., EST, Monday – Friday, 9 a.m. – 6 p.m., EST, Saturday**

1-800-986-3460

HOMEDEPOT.COM/HOMEDECORATORS

Retain this manual for future use.