



USER MANUAL
GUIDE DE L'UTILISATEUR
 MANUAL DEL USUARIO

BLADE CORDLESS VACUUM
ASPIRATEUR À TÊTE ÉTROITE SANS FIL

ASPIRADORA INALÁMBRICA BLADE

© 2019 TECHTRONIC FLOOR CARE TECHNOLOGY LIMITED. ALL RIGHTS RESERVED.
 CHARLOTTE, NC 28262
 1-800-406-2005

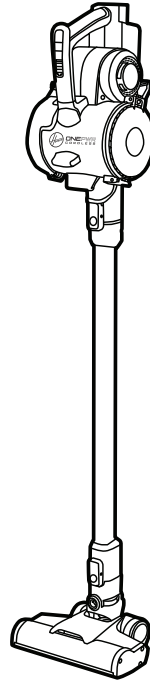


TABLE OF CONTENTS

Register your Product	1
Safety Instructions	2-3
Assembly	4
Operation	4-5
Maintenance	5
Accessories	6
Service Warranty	6
Figures	7-10

TABLE DES MATIÈRES

Enregistrez votre produit	11
Consignes de sécurité	12-13
Assemblage	14
Utilisation	14-15
Entretien	15-16
Accessoires	17
Entretien et garantie	17
Figures	7-10

ÍNDICE

Registre su producto	18
Instrucciones de seguridad ..	19-21
Ensamblaje	22
Funcionamiento	22-23
Mantenimiento	23-24
Accesorios	25
Garantía de servicio	25
Figuras	7-10



IMPORTANT:

READ CAREFULLY BEFORE
 ASSEMBLY AND USE.



IMPORTANTES:

LISEZ ATTENTIVEMENT LE PRÉSENT GUIDE
 D'UTILISATION AVANT D'ASSEMBLER
 ET D'UTILISER L'APPAREIL.



IMPORTANTES:

LEA CUIDADOSAMENTE ESTA INFOR-
 MACIÓN ANTES DE ENSAMBLAR Y USAR
 LA ASPIRADORA.



Welcome to the

**ONE
PWR™
S Y S T E M**

**Clean Further, Faster and Easier
with the Freedom of Cordless**



PROTECT YOUR PURCHASE

To register your product, go to the URL below and follow the steps until complete.
[HOOVER.COM/PRODUCT-REGISTRATION](https://www.hoover.com/product-registration)

IMPORTANT SAFETY INSTRUCTIONS

SAVE THESE INSTRUCTIONS

WHEN USING AN ELECTRICAL APPLIANCE, BASIC PRECAUTIONS SHOULD ALWAYS BE FOLLOWED, INCLUDING THE FOLLOWING:

READ ALL INSTRUCTIONS BEFORE USING THIS APPLIANCE

WARNING: TO REDUCE THE RISK OF FIRE, ELECTRIC SHOCK, DAMAGE OR INJURY:

- Fully assemble before operating.
- DO NOT use on wet surfaces. DO NOT expose to rain. Store indoors.
- Dress properly. Do not wear loose clothing or jewelry. Contain long hair. Keep your hair, loose clothing, fingers, and all parts of the body and clothing, away from openings and moving parts. Loose clothes, jewelry, or long hair can be caught in internal moving parts.
- Turn off all controls before removing battery pack from your product.
- Do not overreach. Keep proper footing and balance at all times. Proper footing and balance enables better control of the product in unexpected situations. Do not use on a ladder or unstable support.
- Do not allow to be used as a toy. Not intended for use by children age 12 and under. Close supervision is necessary when used by or near children. To avoid injury or damage, keep children away from product, and do not allow children to place fingers or other objects into any openings.
- Use only as described in this manual. Use only Hoover recommended attachments and products.
- To reduce the risk of fire or explosion, do not leave the product running while unattended. Immediately stop the unit if it shows signs of abnormal operation such as loss of suction, liquid or debris in the exhaust, or any abnormal motor noises.
- Do not use charger with damaged cord or plug. If appliance or charger is not working as it should, has been dropped, damaged, left outdoors, or dropped into water, call customer service at 1-800-406-2005.
- Do not handle charger, including charger plug, and charger terminals with wet hands.
- Do not pull or carry charger by cord, use cord as a handle, close a door on cord, or pull cord around sharp edges or corners. Do not place product on cord. Do not run appliance over cord. Keep cord away from heated surfaces.
- Do not unplug charger by pulling on cord. To unplug charger, grasp the plug, not the cord.
- Use extra care when cleaning on stairs. To avoid personal injury or damage, and to prevent the cleaner from falling, always place cleaner at bottom of stairs or on floor. Do not place cleaner on stairs or furniture, as it may result in injury or damage.
- Do not put any objects into ventilation openings. Do not use with any opening blocked. Keep openings free of dust, lint, hair, and anything that may reduce air flow.
- NEVER vacuum materials that are burning or smoking, such as hot coals, cigarette butts, matches, burning or smoking ashes, etc.
- DO NOT use to pick up flammable or combustible liquids, such as gasoline, or fine wood sandings, or use in areas where they may be present.
- Do not use without filter in place.
- Do not incinerate the charger, battery, or appliance even if it is severely damaged. The batteries can explode in a fire.
- The product does not have to be plugged into an electrical outlet, therefore it is always in operating condition. Be aware of possible hazards when using the product or when changing accessories.
- Use battery only with charger listed. For use with Hoover ONEPWR Lithium Ion Batteries, see page 6 for battery and charger compatibility.
- Recharge only with the charger specified by the manufacturer. A charger that is suitable for one type of battery pack may create a risk of fire when used with another battery pack. Do not use charger outdoors.
- Use product only with specifically designated battery packs. Use of any other battery packs may create a risk of injury and fire.
- When battery pack is not in use, keep it away from other metal objects like: paper clips, coins, keys, nails, screws, or other small metal objects that can make a connection from one terminal to another. Shorting the battery terminals together may cause sparks, burns, or a fire.
- Always turn unit off, and remove battery pack from your product when you are assembling parts before making any adjustments, changing accessories, storing product, cleaning, or when not in use. Removing battery pack will prevent accidental starting that could cause serious personal injury.
- Do not use a battery pack or product that is damaged or modified. Damaged or modified batteries may exhibit unpredictable behavior resulting in fire, explosion or risk of injury.
- Do not modify or attempt to repair the appliance or the battery pack except as indicated in the instructions for use and care.
- To reduce the risk of explosion and serious personal injury, never use or expose battery pack or any cordless product in the presence of an open flame or temperatures above 265°F. An exploded battery can propel debris and chemicals. If exposed, flush with water immediately.
- Prevent unintentional starting. Ensure the switch is in the off-position before connecting to power source and/or battery pack, picking up or carrying the product. Carrying battery products with your finger on the switch or energizing battery products that have the switch on invites accidents.
- Under abusive conditions, liquid may be ejected from the battery; avoid contact. If contact accidentally occurs, flush with water. If liquid contacts eyes, additionally seek medical help. Liquid ejected from the battery may cause irritation or burns.

IMPORTANT SAFETY INSTRUCTIONS

SAVE THESE INSTRUCTIONS

- Do not charge battery in a damp or wet location. Do not use, store, or charge battery packs or products in locations where the temperature is less than 50°F or more than 100°F. Do not store outside or in vehicles.
- Follow all charging instructions and do not charge the battery pack or appliance outside of the temperature range specified in the instructions. Charging improperly or at temperatures outside of the specified range may damage the battery and increase the risk of fire.
- Check for misalignment or binding of moving parts, breakage of parts, and any other condition that may affect the product's operation. If damaged, call customer service prior to use. Many accidents are caused by poorly maintained products.
- Use only accessories that are recommended by the manufacturer for your model. Accessories that may be suitable for one product may create a risk of injury when used on another product.
- See page 6 for a list of recommended accessories.
- Do not let gasoline, oils, petroleum-based products, etc., come in contact with plastic parts. They contain chemicals that can damage, weaken, or destroy plastic.
- This product is intended for Household use only. If used Commercially warranty is VOID.
- This product contains no serviceable parts.
- Save these instructions. Refer to them frequently and use them to instruct others who may use this product. If you loan someone this product, loan them these instructions also.
- Put product away after use to prevent tripping accidents.

⚠️ WARNING! ⚠️

RISK OF FIRE, PROPERTY DAMAGE, AND INJURY. NEVER EXPOSE YOUR BATTERY PACK, CHARGER, OR UNIT TO WATER, MOISTURE, OR FLUIDS, INCLUDING BUT NOT LIMITED TO CORROSIVE OR CONDUCTIVE FLUIDS, OR ALLOW FLUIDS TO FLOW INSIDE THESE ITEMS.

Corrosive or conductive fluids, such as salt water, chlorine, certain industrial chemicals, and bleach or bleach containing products, etc., can cause a short circuit in the battery pack. If your battery pack is exposed to a corrosive or conductive fluid, do not attempt to use or charge the battery pack and immediately perform the following steps:

- Wear appropriate personal protective equipment, including eye protection and rubber gloves.
- Place your exposed battery pack in a large bucket, such as a 5 gallon or similar bucket, and fill the bucket with regular tap water. Do not place more than two packs in the bucket.
- Locate the bucket outdoors in an area inaccessible to children and pets and away from all buildings, garages/sheds, structures, vehicles, and combustible/flammable materials.
- Leave the battery pack(s) in the bucket filled with tap water and call Customer Service at 1-800-406-2005 for additional instructions on the proper disposal of the exposed battery pack(s).

CAUTION - To reduce the risk of damage:

Avoid picking up hard, sharp objects with this product, as they may cause damage.

Store appropriately indoors in a dry place. Do not expose machine to freezing temperatures.

BATTERY DISPOSAL WARNING: RISK OF EXPLOSION OR EXPOSURE TO TOXIC MATERIAL.

LITHIUM-ION BATTERIES

The battery must be collected, recycled or disposed of in an environmentally sound manner. The EPA certified RBRC Battery Recycling Seal on the lithium-ion (Li-ion) battery indicated Techtronic Industries, a corporate affiliate of Hoover, Inc., is voluntarily participating in an industry program to collect and recycle these batteries at the end of their useful life, when taken out of service in the United States or Canada. The RBRC program provides a convenient alternative to placing used Li-ion batteries into the trash or the municipal waste stream, which may be illegal in your area. Please visit www.rbrc.org/call2recycle/ for information on Li-ion battery recycling and disposal bans/restrictions in your area. Hoover, Inc., involvement in this program is part of our commitment to preserving our environment and conserving our natural resources.



QUESTIONS OR CONCERNS?

Contact us:
Hoover.com/support or Hoover.ca/support
1-800-406-2005

Connect with us:

Twitter: @HooverUSA

Facebook: [facebook.com/hoover](https://www.facebook.com/hoover)

Do not return to store. See behind the battery dock on the product for model number.

⚠️ WARNING! ⚠️

Battery tools are always in operating condition. Therefore, switch should always be in the OFF position when not in use or carrying at your side.

If any parts are damaged or missing, please call 1-800-406-2005.

Product Assembly See Figure 1, page 7

- Install the dirt cup onto the handheld by rocking into place
- Push the reach wand down onto the powered nozzle until it clicks into place
- Push the handheld down onto the reach wand until it clicks into place
- Before first use, be sure to fully charge the battery. May take up to 3-4 hours. After charging, insert the battery into the handheld.

⚠️ WARNING! ⚠️

This vacuum cleaner is not free standing. In between uses or when carrying out any maintenance always lie flat on the floor in a suitable location so it does not become a trip hazard or can be stepped on.

Wall Mount Assembly See Figure 2, page 7

- Choose the desired location for the wall mount.
- Place the mount on the wall at the desired height. Mark the wall anchor locations. Install the anchors and screw the mount to the wall.
- Store the vacuum by firmly pressing the unit into the wall mount to secure.
- Always ensure the vacuum is securely locked into place.
- Accessories can be stored by sliding them onto the top of the wall mount.

OPERATION

Additional accessories available for purchase at Hoover.com

Charging your Product See Figure 3, page 8

- Charge the battery fully before first use. This will take up to 3-4 hours. Due to federal regulations, the battery does not come fully charged.
- Plug the charger into a power outlet.
- Attach the battery pack to the charger by aligning the ribs on the battery pack to the grooves in the charger. Slide the battery pack into the charger.
- When charging, the lights on the battery will illuminate to show the state of charge. The light on the charger will flash.
- If the light on the charger flashes red, there is an error with the battery or the charger. Try again or call customer service for support.
- Once charge is complete, lights on the battery and charger will turn off.
- To remove the battery pack from the charger, press the latches and pull up on the battery pack.
- During charging, the pack and ambient temperature should be between 32 to 86°F (5 and 30°C).
- The charger will sense if the pack, or ambient temperature, is too cold or too hot, and will return an error code (red LED will be on) and not charge the pack.

Using your Product See Figure 4, page 8

- Press the ON/OFF button located on the handle. The ON/OFF button and battery level indicator lights on the handle will illuminate when ON.
- To maximize runtime, activate Eco Mode by pressing the button on the dashboard.
- Blade defaults to hard floor mode with a slow brush roll. For cleaning on carpets, press the Carpet button on the dashboard.

⚠️ WARNING! ⚠️

To reduce the risk of personal injury from moving parts, turn the power switch to OFF and disconnect battery pack before connecting or disconnecting accessories.

Handheld Mode See Figure 5, page 8

- Press the handheld release button. Pull to separate the handheld from the reach wand.
- Choose an accessory.
- Push the accessory into the handheld until it clicks into place.

Cleaning Up High See Figure 6, page 8

- Press the powered nozzle release button and pull to remove the powered nozzle from the reach wand.
- Choose an accessory.
- Push the accessory into the reach wand until it clicks into place.

⚠️ CAUTION! ⚠️

Not to be used for grooming a pet.

⚠️ WARNING! ⚠️

To avoid injury, particularly to face and head, keep hair, loose clothing, fingers and all parts of the body away from revolving brush.

⚠️ CAUTION! ⚠️

Do Not use accessories for grooming a pet.

⚠️ WARNING! ⚠️

To avoid serious personal injury, always remove the battery pack from the product when cleaning or performing any maintenance.

General Maintenance

Avoid using solvents when cleaning plastic parts. Most plastics are susceptible to damage from various types of commercial solvents and may be damaged by their use. Use clean cloths to remove dirt, dust, oil, grease, etc.

This product contains no serviceable parts.

If appliance is not working as it should, has been dropped, damaged, left outdoors or dropped in water, contact customer service at 1.800.406.2005.

⚠️ WARNING! ⚠️

Do not at any time let brake fluids, gasoline, petroleum-based products, penetrating oils, etc., come in contact with plastic parts. Chemicals can damage, weaken or destroy plastic which could result in serious personal injury.

Emptying the Dirt Cup

See Figure 7, page 8

- Remove the battery pack.
- Push down the latch on the dirt cup to release. Tilt and lift to remove the dirt cup from the stick vac.
- Hold the dirt cup over a trash bin and press the dirt cup release button to empty.
- To close, push the door until it locks back into place.
- Replace the dirt cup by rocking it back into place.

Cleaning the Filter and Cyclone

See Figure 8, page 9

- Pull open the lid of the dirt cup to access the filter.
- To clean the cyclone, lift to remove. Clean dirt and debris by wiping the metal screen with a cloth and then place back into the dirt cup.
- Pull the filter away and tap over a trash can to remove dirt. Rinse filter under warm water until water is clear. Allow filter to dry for 24 hours before reinserting.

⚠️ WARNING! ⚠️

Do not use vacuum without the filter or cyclone in place.

⚠️ WARNING! ⚠️

Do not use soap or other chemicals to clean. Dry filter completely, for up to 24 hours, before reinstalling into the product.

Removing and Replacing the Brush Roll

See Figure 9, page 9

⚠️ WARNING! ⚠️

Risk of personal injury, brushroll may suddenly restart. Turn power switch OFF and remove battery before cleaning or servicing.

- Remove powered nozzle from reach wand. Using a coin, push and turn the brush roll lock counterclockwise to release the brush roll.
- Pull the brush roll out of the powered nozzle
- To remove any threads or hair, slide the blade of a pair of scissors into the groove of the brush roll and cut along the groove. Clear any dirt/debris from the end caps and inside the housing of the powered nozzle.
- Re-fit the brush roll into the housing and turn the brush roll lock clockwise to lock.

Microfiber Hard Floor Nozzle

See Figure 10, page 10

- Remove the powered nozzle from the reach wand. Using a coin, push and turn brush roll lock counterclockwise to release the brush roll.
- Gently use your fingers to lift the brush roll from the nozzle cavity on the side closest to the brush roll lock.
- To remove any debris from the brush roll gently wipe with a dry cloth. Clear any dirt/debris from the end caps and inside the housing of the powered nozzle.
- Re-fit the brush roll into the housing and turn the brush roll lock clockwise to lock.

For troubleshooting, please visit Hoover.com Thermal Protector

A thermal protector has been designed into your cleaner to protect it from overheating. When the thermal protector activates, the cleaner will stop running. If this happens, proceed as follows:

1. Turn cleaner OFF and remove battery pack
2. Empty dirt cup
3. Inspect the filter and cyclone for any obstructions. Clear obstructions if present
4. After the battery pack is removed and the motor cools for 30 minutes, reinstall the battery pack. The thermal protector will deactivate and cleaning may continue.

If thermal protector continues to activate after following the above steps, call Customer Service at 1-800-406-2005.

ACCESSORIES

Look for these accessories on Hoover.com or Hoover.ca or call 800-406-2005.

Every ONEPWR battery works with every ONEPWR product.		Parts and Accessories:	
Battery:	Model #	Charger	BH05000
2.0 Ah	BH15020	Motorized Pet Tool	AH85320
3.0 Ah	BH15030	Microfiber Hard Floor Nozzle	AH85350
3.0 Ah MAX	BH25030	Cordless Tool Kit	AH85310
4.0 Ah	BH15240	Filter	AH85300
4.0 Ah MAX	BH25040		
6.0 Ah	BH15260		

SERVICE AND WARRANTY

SERVICE INFORMATION & LIMITED WARRANTY FOR HOOVER® ONEPWR PRODUCTS

If you require warranty assistance or have questions about your Hoover ONEPWR product, contact Hoover Customer Service. For service in the U.S. or Canada, dial 800.406.2005.

Costs of any shipping and/or transportation to and from any place of repair are to be paid by the owner. Identify your product by the model number and manufacturing code when requesting information or ordering replacement parts. (The model number and manufacturing code for the product appears on the top of the lid and on the back of the charger). LIMITED THREE YEAR WARRANTY (DOMESTIC USE)

WHAT THIS LIMITED WARRANTY COVERS: This limited warranty provided by Royal Appliance Mfg. Co., doing business as TTI Floor Care North America (referred to hereafter as "Hoover") applies only to products purchased in the U.S. (including its territories and possessions), a U.S. Military Exchange, or Canada. When used and maintained in normal household use and in accordance with the Owner's Guide, your Hoover® product and battery are warranted against original defects in material and workmanship for three years from the date of original purchase (the "Warranty Period"). If Hoover determines that the issue you are experiencing is covered under the terms of the product warranty (a "covered warranty claim"), we will, at our sole discretion and free of charge (subject to the cost of shipping), either repair your product or ship you a replacement product, subject to availability. Parts and replacements may be new, refurbished, lightly used, or remanufactured, in Hoover's sole discretion. If parts and replacements are unavailable, we may, at our discretion, provide a similar product of equal or greater value, a store credit (if applicable), or a refund of the actual purchase price at the time of the original purchase, as reflected on the original sales receipt.

WHO THIS LIMITED WARRANTY COVERS: This limited warranty extends only to the original retail purchaser, with original proof of purchase from Hoover or an authorized dealer of Hoover products, in the U.S., U.S. Military Exchanges, and Canada.

HOW TO MAKE A WARRANTY CLAIM: If this product is not as warranted, contact Hoover Customer Service. Please have available the proof of purchase and model number for the warranted product.

WHAT THIS LIMITED WARRANTY DOES NOT COVER: This warranty does not cover use of the product in a commercial operation (such as maid, janitorial, and equipment rental services, or any other income-generating activity); improper maintenance of the product; the product if it has been subject to misuse, negligence, neglect, vandalism, or the use of voltages other than that on the data plate of this product. This warranty does not cover damage resulting from an act of God, accident, owner's acts or omissions, service of this product by other than Hoover or a Hoover authorized service provider (if applicable), or other acts beyond the control of Hoover. This warranty also does not cover use outside the country in which the product was initially purchased, or resale of the product by the original owner. Pick-up, delivery, transportation, and house calls are not covered by this warranty. In addition, this warranty does not cover any product that has been altered or modified; repairs made necessary by normal wear; or the use of parts or accessories which are either incompatible with the Hoover product or adversely affect its operation, performance, or durability. Normal wear items that are not covered under this warranty include, but are not limited to, belts, filters, brush rolls, blower fans, blower and vacuum tubes, and vacuum bags and straps.

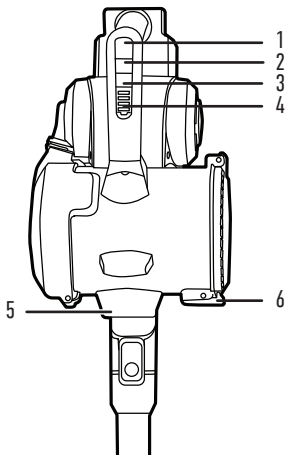
Please call Hoover Customer Service at 800.406.2005, for information on how to ship this product. This warranty does not apply to products purchased outside the United States, a U.S. Military Exchange, or Canada.

OTHER IMPORTANT TERMS: This warranty is not transferable and may not be assigned; any assignment made in contravention of this prohibition is void. This warranty shall be governed and construed under the laws of the state of North Carolina. The Warranty Period will not be extended by any replacement of batteries or parts or repair performed under this warranty.

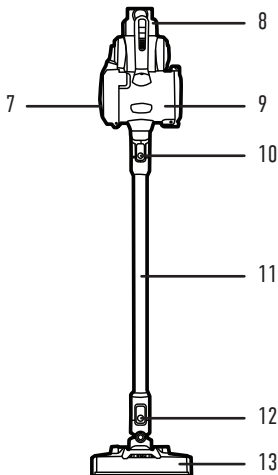
THIS WARRANTY IS THE EXCLUSIVE WARRANTY AND REMEDY, AND ALL EXPRESS AND IMPLIED WARRANTIES OTHER THAN THE LIMITED WARRANTY SET FORTH ABOVE, INCLUDING IMPLIED WARRANTIES OF MERCHANTABILITY AND FITNESS FOR A PARTICULAR PURPOSE, ARE EXPRESSLY DISCLAIMED. IN NO EVENT WILL HOOVER BE LIABLE FOR ANY SPECIAL, INDIRECT, INCIDENTAL OR CONSEQUENTIAL DAMAGES OF ANY KIND OR NATURE TO OWNER OR ANY PARTY CLAIMING THROUGH OWNER, WHETHER BASED IN CONTRACT, NEGLIGENCE, TORT, OR STRICT PRODUCTS LIABILITY OR ARISING FROM ANY CAUSE WHATSOEVER, TO THE EXTENT PERMITTED BY APPLICABLE LAW. NO WARRANTIES THAT ARISE BY OPERATION OF LAW, IF APPLICABLE, SHALL EXCEED THE DURATION OF THE LIMITED WARRANTY PROVIDED HEREIN. HOOVER'S LIABILITY FOR DAMAGES TO YOU FOR ANY COSTS WHATSOEVER ARISING OUT OF THIS STATEMENT OF LIMITED WARRANTY SHALL BE LIMITED TO THE AMOUNT PAID FOR THIS PRODUCT AT THE TIME OF ORIGINAL PURCHASE AND HOOVER SHALL NOT BE LIABLE FOR ANY DIRECT, INDIRECT, CONSEQUENTIAL, OR INCIDENTAL DAMAGES ARISING OUT OF THE USE OR INABILITY TO USE THIS PRODUCT.

Some states do not allow the exclusion or limitation of incidental or consequential damages, disclaimers of implied warranties, or limitations on the duration of implied warranties, so the above exclusions, disclaimers, and/or limitations may not apply to you. This warranty gives you specific legal rights, and you may also have other rights, which vary from state to state.

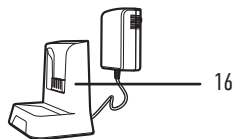
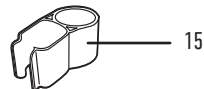
Product Overview, Aperçu du produit, Descripción del producto



1. ON/OFF Button, Bouton ARRÊT/MARCHE, Botón de encendido/apagado
2. Carpet ON/OFF Button, Bouton ON/OFF (marche/arrêt) du mode « tapis », Botón de encendido/apagado para limpieza en alfombras
3. Eco Mode, Mode « eco », Modo ecológico
4. Battery level indicator, Indicateur du niveau de charge de la pile, Indicador de nivel de batería
5. Dirt cup removal latch, Loquet de dégagement du vide-poussière, Pestillo de liberación de la copa de recolección de residuos
6. Dirt cup empty button, Bouton de vidage du vide-poussière, Botón de vaciado de la copa de recolección de residuos

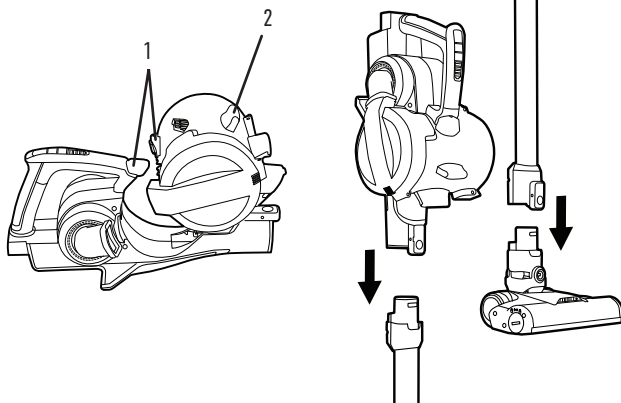


7. Filter/Cyclone access, Accès au filtre/cyclone, Acceso al filtro/ciclón
8. Battery, Batterie, Batería
9. Dirt Cup, Vide-poussière, Copa de recolección de residuos
10. Handheld release button, Bouton de dégagement de l'aspirateur à main, Botón de liberación del dispositivo portátil
11. Reach pole, Tige-rallonge, Vara de alcance
12. Reach pole release button, Bouton de dégagement de la tige-rallonge, Botón de liberación de la vara de alcance
13. Powered nozzle, Buse motorisée, Boquilla eléctrica



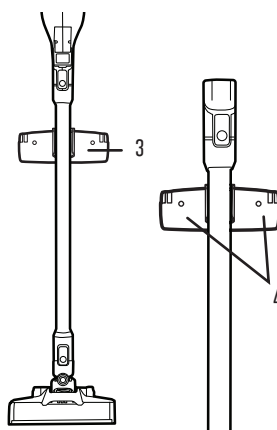
14. Wall mount, Fixation murale, Montaje en la pared
15. Tool caddy, Porte-accessoires, Caja de herramientas
16. Charger, Chargeur, Cargador

FIG.1

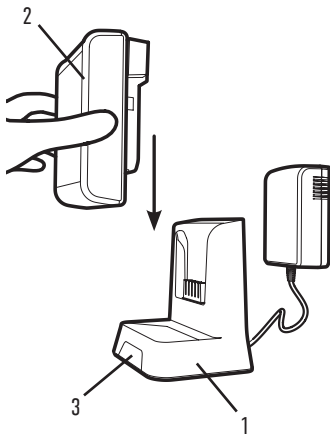


1. Align and rock into place, Aligned et empouje en su lugar
2. Dirt Cup removal latch, Loquet de dégagement du vide-poussière, Pestillo de liberación de la copa de recolección de residuos

FIG.2

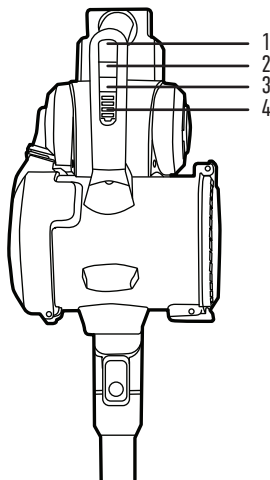


3. Wall Mount, Fixation murale, Montaje en la pared
4. Install anchors and screws, Installez les ancrages et les vis, Instale los anclajes y los tornillos

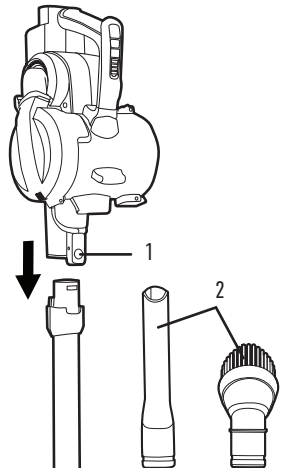
FIG.3

ONEPWR Battery insertion, ONEPWR insertion de la batterie, inserción de la batería ONEPWR

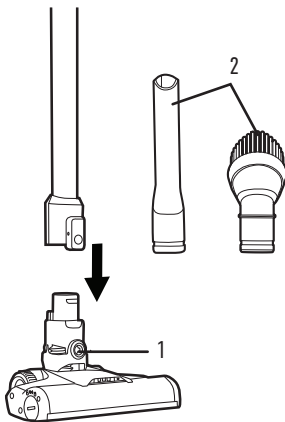
1. Charger, Chargeur, Cargador
2. Battery, Pile, Batería
3. Battery indicator, Témoin de chargement de la pile, Indicador de la batería

FIG.4

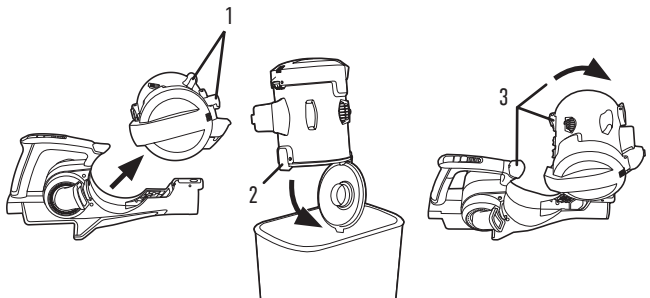
1. ON/OFF Button, Bouton ARRÊT/MARCHE, Botón de encendido/apagado
2. Carpet ON/OFF Button, Bouton ON/OFF (marche/arrêt) du mode « tapis », Botón de encendido/apagado para limpieza en alfombras
3. Eco Mode, Mode « eco », Modo ecológico
4. Battery level indicator, Indicateur du niveau de charge de la pile, Indicador de nivel de batería

FIG.5

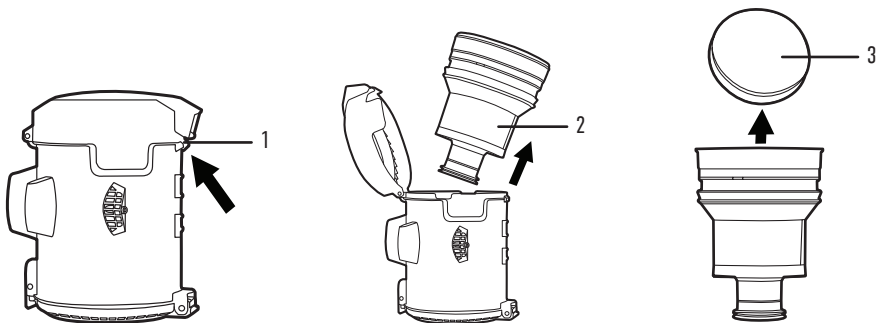
1. Handheld release button, Bouton de dégage ment de l'aspirateur à main, Botón de liberación del dispositivo portátil
2. Insert accessory into handheld, Insérez l'accessoire dans la partie portative, Inserte el accesorio en el dispositivo portátil

FIG.6

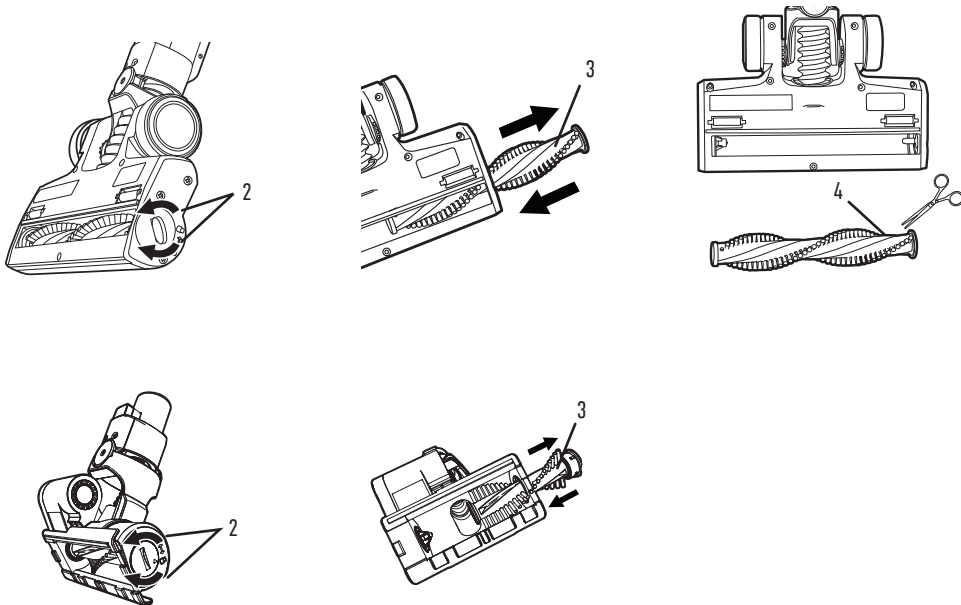
1. Powered Nozzle Release Button, Bouton de dégage ment de la buse motorisée, Botón de liberación de la boquilla eléctrica
2. Insert accessory into reach pole, Insérez l'accessoire dans la tige-rallonge, Inserte el accesorio en la vara de alcance

FIG.7

1. Dirt Cup removal latch, Loquet de dégage ment du vide-poussière, Pestillo de liberación de la copa de recolección de residuos
2. Dirt Cup Release Button, Bouton de dégage ment du vide-poussière, Botón de liberación de la copa de recolección de residuos
3. Rock into place, Insérez-le en effectuant des mouvements de va-et-vient, Empuje en su lugar

FIG.8

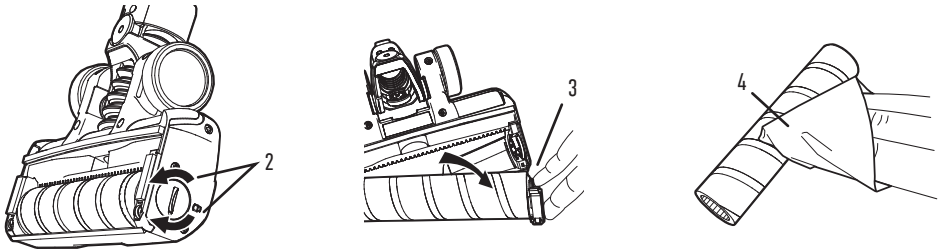
1. Filter and Cyclone access tab, Languette d'accès au filtre et au cyclone, Pestaña de acceso del filtro y el ciclón
2. Remove cyclone, Retirez le cyclone, Retire el ciclón
3. Remove filter, Retirez le filtre, Retire el filtro

FIG.9

1. Remove the battery pack, Retirez le bloc-piles, Retire el paquete de baterías
2. Unlock brush roll, Déverrouillez le rouleau-brosse, Desbloquee el cepillo giratorio
3. Remove brush roll, Retirez le rouleau-brosse, Extraiga el cepillo giratorio
4. Cut along groove, Coupez le long de la rainure, Corte por la ranura

*The Motorized Pet Tool is only included with certain models.
 *L'accessoire motorisé pour poils d'animaux n'est offert qu'avec certains modèles.
 *La herramienta para limpieza de pelos de mascotas motorizada solo se incluye para ciertos modelos.

FIG.10



1. Remove the battery pack, Retirez le bloc-piles, Retire el paquete de baterias
2. Unlock brush roll, Déverrouillez le rouleau-brosse, Desbloquee el cepillo giratorio
3. Remove brush roll, Retirez le rouleau-brosse, Extraiga el cepillo giratorio
4. Gently wipe stubborn debris from the microfiber brush roll with a dry cloth, Essuyez doucement les débris tenaces du rouleau-brosse en microfibres avec un chiffon sec, Limpie suavemente los desechos aferrados del cepillo giratorio de microfibra con un trapo seco

Bienvenue chez

**ONE
PWR[™]
S Y S T E M**

Nettoyez plus en profondeur, plus rapidement et plus facilement grâce à la liberté d'un appareil sans fil



PROTÉGER VOTRE ACHAT

Pour enregistrer le produit, accéder à l'adresse URL ci-dessous et suivre les étapes jusqu'à la fin.

[HOOVER.CA/PRODUCT-REGISTRATION](https://www.hoover.ca/product-registration)

CONSIGNES DE SÉCURITÉ IMPORTANTES

CONSERVEZ CES INSTRUCTIONS

LORSQUE VOUS UTILISEZ DES APPAREILS ÉLECTRIQUES, VEUILLEZ TOUJOURS RESPECTER ENTRE AUTRES LES CONSIGNES DE SÉCURITÉ ÉLÉMENTAIRES SUIVANTES :

VEUILLEZ LIRE TOUTES LES INSTRUCTIONS AVANT D'UTILISER CET APPAREIL

AVERTISSEMENT : POUR RÉDUIRE LE RISQUE D'INCENDIE, DE DÉCHARGE ÉLECTRIQUE, DE DOMMAGE OU DE BLESSURE :

- Assemblez entièrement l'appareil avant de l'utiliser.
- N'UTILISEZ PAS l'appareil sur des surfaces humides. NE PAS exposer à la pluie. Rangez l'appareil à l'intérieur
- S'habiller convenablement. Éviter de porter des vêtements amples ou des bijoux. Attacher les cheveux longs. Garder les cheveux, les vêtements amples, les doigts ou toute autre partie du corps et des vêtements à bonne distance des ouvertures et des pièces mobiles. Les vêtements amples, les bijoux et les cheveux longs peuvent rester coincés dans les pièces mobiles internes.
- Éteindre toutes les commandes avant de retirer le bloc-piles du produit.
- Ne pas travailler hors de portée. Garder les deux pieds stables et rester en équilibre en tout temps. Une position stable et un bon équilibre assurent une meilleure maîtrise du produit dans les situations inattendues. Ne pas utiliser d'échelle ou de support instable.
- Ne permettez pas aux enfants de jouer avec l'appareil. Cet appareil ne doit pas être utilisé par des enfants de moins de 12 ans. Exercer une étroite surveillance
- Utilisez l'appareil uniquement aux fins décrites dans le présent guide. Utiliser uniquement les accessoires et les produits recommandés par Hoover.
- Utilisez l'appareil uniquement aux fins décrites dans le présent guide. Utilisez uniquement les accessoires et produits recommandés par le fabricant.
- Pour réduire les risques d'incendie ou d'explosion, ne pas laisser le produit fonctionner sans surveillance. Éteindre immédiatement l'appareil s'il présente des signes de fonctionnement anormal, notamment une perte d'aspiration, la présence de liquide ou de débris dans le tuyau d'échappement ou tout autre bruit anormal provenant du moteur.
- N'utilisez pas le chargeur si la fiche ou le cordon est endommagé. Si l'appareil ou le chargeur ne fonctionne pas comme il le devrait, est tombé, est endommagé, a été laissé à l'extérieur ou a pris l'eau, communiquez avec le service à la clientèle au 1 800 406-2005.
- Ne manipulez pas le chargeur, y compris la fiche et les bornes, si vous avez les mains mouillées.
- Ne tirez pas ni ne transportez le chargeur par le cordon, n'utilisez pas le cordon comme une poignée, ne coincez pas le cordon dans l'embrasure d'une porte et ne l'appuyez pas contre des arêtes tranchantes ou des coins. Ne placez pas l'appareil sur le cordon. Ne faites pas rouler l'appareil sur le cordon. Tenez le cordon éloigné des surfaces chaudes.
- Ne débranchez pas le chargeur en tirant sur le cordon. Pour débrancher le chargeur, tirez sur la fiche.
- Redoublez de prudence lorsque vous utilisez l'appareil dans un escalier. Pour éviter tout dommage ou blessure et empêcher l'appareil de tomber, placez toujours ce dernier au bas des escaliers, sur le plancher. Ne placez pas l'appareil sur les marches d'un escalier ou sur un meuble, car cela peut entraîner des dommages ou des blessures.
- N'introduisez pas d'objets dans les ouvertures d'aération. N'utilisez pas l'appareil si les ouvertures sont obstruées. Retirer des ouvertures la poussière, les peluches, les cheveux ou tout ce qui est susceptible de réduire le débit d'air.
- NE JAMAIS aspirer de matières qui brûlent ou qui dégagent de la fumée, comme des charbons chauds, des mégots de cigarette, des allumettes, des cendres qui brûlent ou dégagent de la fumée, etc.
- N'aspirez PAS de liquides inflammables ou combustibles, comme de l'essence, des sciures de bois et n'utilisez pas l'appareil à proximité de ces substances.
- N'utilisez pas l'appareil si le filtre n'est pas en place.
- N'incinerez pas le chargeur, la pile ou l'appareil mêmes s'ils sont gravement endommagés. La pile peut exploser au feu.
- Il n'est pas nécessaire de brancher l'appareil dans une prise électrique; il est donc toujours en état de fonctionnement. Être conscient des dangers possibles lors de l'utilisation de l'appareil ou du remplacement des accessoires.
- Utiliser la pile avec le chargeur indiqué uniquement. Utilisez avec des piles au lithium-ION ONEPWR Hoover; consultez la page 6 pour connaître la compatibilité entre les piles et les chargeurs
- Rechargez la batterie uniquement avec le chargeur indiqué par le fabricant. Le chargeur adéquat pour un type de bloc-piles présente un risque d'incendie s'il est utilisé avec un bloc-piles différent. Ne pas utiliser le chargeur à l'extérieur.
- Utiliser l'appareil uniquement avec les blocs-piles spécialement désignés à cet effet. L'utilisation de tout autre bloc-piles présente un risque de blessure et d'incendie.
- Éteignez toujours l'appareil et retirez le bloc-piles de l'appareil avant d'assembler des pièces, d'effectuer des réglages, de changer d'accessoires ou d'entreposer ou de nettoyer le produit ou lorsqu'il n'est pas utilisé. Le retrait du bloc-piles permet de prévenir les démarrages accidentels qui pourraient causer des blessures graves.
- Toujours retirer le bloc-piles de l'appareil avant d'assembler des pièces, d'effectuer des réglages, de changer d'accessoires ou d'entreposer le produit ou lorsqu'il n'est pas utilisé. Le retrait du bloc-piles permet de prévenir les démarrages accidentels qui pourraient causer des blessures graves.
- Ne pas utiliser un bloc-piles ou un appareil qui est endommagé ou qui a été modifié. Le fonctionnement des piles endommagées ou modifiées peut être imprévisible et présenter des risques d'incendie, d'explosion ou de blessures
- Ne modifiez ni l'appareil ni le bloc-piles et ne tentez pas de les réparer, sauf dans la mesure indiquée dans les présentes instructions quant à leur utilisation et à l'entretien requis.
- Pour réduire les risques d'explosion et des blessures graves, n'utilisez jamais le bloc-piles ou n'importe quel appareil sans fil en présence d'une flamme nue ou de températures supérieures à 129 °C (265 °F) et n'exposez pas ces produits à de tels éléments. Une pile qui explose peut propulser des débris et des produits chimiques. En cas d'exposition à ces éléments, rincer à l'eau immédiatement.
- Prévenez les mises en marche non intentionnelles. S'assurer que l'interrupteur est en position d'arrêt avant de connecter l'appareil à la source d'alimentation ou au bloc-piles ou de ramasser ou de transporter l'appareil. Transporter des appareils à pile en gardant les doigts près de l'interrupteur ou mettre sous tension des appareils à pile pendant que l'interrupteur est en position de marche sont deux situations qui présentent des risques d'accident.
- Dans des conditions extrêmes, un liquide pourrait être expulsé de la batterie. En cas de contact accidentel, rincez les régions touchées avec de l'eau. En cas de contact avec les yeux, rincez-les avec de l'eau et demandez une assistance médicale. Le liquide expulsé de la batterie peut être une source d'irritation ou de brûlures.
- Ne pas charger la pile dans un endroit humide ou mouillé. Vous ne devez ni utiliser, ni entreposer ou ni charger le bloc-piles ou l'appareil dans des endroits où la tempéra-

CONSIGNES DE SÉCURITÉ IMPORTANTES CONSERVEZ CES INSTRUCTIONS

ture est inférieure à 10 °C (50 °F) ou supérieure à 38 °C (100 °F). Ne pas entreposer à l'extérieur ou dans un véhicule.

- Suivez toutes les instructions portant sur la recharge. Ne rechargez pas le bloc-piles ni l'appareil à des températures autres que celles indiquées dans ces instructions. Toute recharge inappropriée ou à des températures hors de la plage indiquée présente des risques d'endommager la pile en plus d'augmenter les risques d'incendie.
- Vérifier les signes de désaxage ou de coingage des pièces mobiles, de bris des pièces ou de toute autre condition qui pourrait
- nuire au fonctionnement du produit. Si l'appareil est endommagé, communiquer avec le service à la clientèle avant de l'utiliser. De nombreux accidents sont causés par des produits mal entretenus.
- Utiliser uniquement les accessoires qui sont recommandés par le fabricant pour le modèle en question. Les accessoires qui peuvent convenir à un produit pourraient présenter un risque de blessures s'ils sont utilisés sur un autre produit.
- Consulter la page 6 pour obtenir une liste des accessoires recommandés.
- Éviter tout contact entre l'essence, l'huile, les produits à base de pétrole, etc. et les pièces de plastique. Ils contiennent des produits chimiques qui peuvent endommager, affaiblir ou détruire le plastique.
- Ce produit est destiné à un usage domestique seulement. La garantie est NULLE si l'appareil est utilisé à des fins commerciales.
- Ce produit ne contient pas de pièces réparables.
- Conserver ces instructions. Consultez-les fréquemment et utilisez-les pour enseigner le fonctionnement de ce produit aux autres personnes susceptibles de l'utiliser. Ce produit doit être prêté avec ces instructions.
- Éloignez cet appareil dès la fin de son utilisation pour éviter les trébuchements.

MISE EN GARDE - Pour réduire les risques de dommage : Évitez d'utiliser l'appareil pour ramasser des objets durs ou aux arêtes tranchantes, car ils pourraient endommager l'appareil.

Rangez l'appareil adéquatement à l'intérieur et dans un endroit sec. N'exposez pas l'appareil à des conditions de gel.

AVERTISSEMENT CONCERNANT L'ÉLIMINATION DE LA PILE: RISQUE D'EXPLOSION OU D'EXPOSITION AUX MATIÈRES TOXIQUES.

BATTERIE AU LITHIUM-ION

La pile doit être recueillie, recyclée ou éliminée dans le respect de l'environnement. Le sceau de recyclage des batteries au lithium-ion de la RBRC certifié par l'EPA indique que Techtronic Industries, société affiliée à Hoover, Inc., participe volontairement à un programme de collecte et de recyclage des batteries usagées au Canada et aux États-Unis. Le programme de recyclage de la RBRC offre une solution de rechange pratique qui permet d'éviter que les piles soient jetées à la poubelle ou dans les ordures ménagères municipales, ce qui pourrait être illégal dans votre région. Visitez le www.rbrc.org/call2recycle/ pour obtenir de plus amples renseignements sur le recyclage des piles au lithium-ion ainsi que sur les interdictions et les restrictions relatives à l'élimination de ces piles dans votre région. La participation de Hoover, Inc. à ce programme témoigne de son engagement à protéger l'environnement et les ressources naturelles.



⚠ AVERTISSEMENT! ⚠

RISQUE D'INCENDIE, DE DOMMAGES MATÉRIELS ET DE BLESSURES. NE JAMAIS EXPOSER VOTRE BLOC-PILES, VOTRE CHARGEUR OU VOTRE APPAREIL À DE L'EAU, DE L'HUMIDITÉ OU DES LIQUIDES, Y COMPRIS, SANS S'Y LIMITER, LES LIQUIDES CORROSIFS OU CONDUCTEURS, NI LAISSER LES LIQUIDES S'INFILTRER DANS CES ARTICLES.

Les liquides corrosifs ou conducteurs, comme l'eau salée, le chlore, certains produits chimiques industriels, les agents de blanchiment, les produits contenant des agents de blanchiment, etc., peuvent causer un court-circuit dans le bloc-piles. Si le bloc-piles est exposé à un liquide corrosif ou conducteur, ne pas tenter de l'utiliser ou de le charger. Effectuer immédiatement les étapes ci-dessous :

- Porter le matériel de protection individuelle approprié, dont des lunettes de protection et des gants en caoutchouc.
- Placer le bloc-piles exposé dans un grand seau, comme un seau de 5 gallons ou d'une capacité similaire, et le remplir d'eau du robinet. Éviter de placer plus de deux blocs dans le seau.
- Placer le seau à l'extérieur dans un endroit hors de la portée des enfants et des animaux, loin des bâtiments, des garages, des remises, des structures, des véhicules et des matériaux combustibles ou inflammables.
- Laisser le ou les blocs-piles dans le seau rempli d'eau du robinet et communiquer avec le service à la clientèle au 1 800 406-2005 pour obtenir des directives supplémentaires sur l'élimination adéquate du ou des blocs-piles exposé(s).

DES QUESTIONS OU DES PRÉOCCUPATIONS?

Communiquez avec nous :
Hoover.com/support ou Hoover.ca/support
1-800-406-2005
Suivez-nous :
Twitter: @HooverUSA
Facebook: [facebook.com/hoover](https://www.facebook.com/hoover)
Ne retournez pas le produit en magasin. Le numéro de modèle se trouve sur le dessus du couvercle.

⚠ AVERTISSEMENT! ⚠

Les outils de la pile sont toujours en état de marche. Par conséquent, l'interrupteur doit toujours être en position ARRÊT lorsque vous n'utilisez pas le produit ou que vous le transportez.

Si des pièces sont endommagées ou manquantes, veuillez composer le 1 800 406-2005.

Assemblage du produit.

Voir la figure 1, à la page 7

- Installez le vide-poussière sur la partie portable en effectuant des mouvements de va-et-vient.
- Poussez le tube-rallonge vers le bas sur la buse motorisée jusqu'à ce qu'il s'enclenche.
- Poussez la partie portable vers le bas sur le tube-rallonge jusqu'à ce qu'elle s'enclenche.
- Assurez-vous que la pile est complètement chargée avant d'utiliser l'appareil pour la première fois. La durée de charge est d'environ 3 à 4 heures. Après la charge, insérez le bloc-piles dans la partie portable.

⚠ AVERTISSEMENT! ⚠

Cet aspirateur ne se tient pas seul en position verticale. Entre les utilisations ou lors de toute tâche d'entretien, posez toujours l'aspirateur à plat sur le sol à un emplacement où vous ne risquez pas de trébucher ou de marcher dessus.

Assemblage de la fixation murale

Voir la figure 2, à la page 7

- Choisissez l'emplacement voulu pour le montage sur le mur.
- Placez la fixation sur le mur à la hauteur désirée. Marquez les emplacements d'ancrage au mur. Installez les ancrages et vissez la fixation au mur.
- Entreposez l'aspirateur en appuyant fermement sur l'appareil dans la fixation murale.
- Assurez-vous toujours que l'aspirateur est verrouillé en place de façon sécuritaire.
- Les accessoires peuvent être entreposés en les faisant glisser sur la partie supérieure de la fixation murale.

UTILISATION

Charge de l'appareil. Voir la figure 3, à la page 8

- Effectuez une charge complète de la pile avant la première utilisation. La durée de charge est d'environ 3 à 4 heures. En raison des règlements fédéraux, la pile n'est pas complètement chargée au moment de l'achat.
- Brancher le chargeur dans une prise électrique.
- Fixer le bloc-piles au chargeur en alignant les rainures en saillie sur le bloc-piles avec les rainures du chargeur. Faire glisser le bloc-piles dans le chargeur.
- Pendant la charge, les voyants de la pile s'allument pour indiquer l'état de la charge. Le voyant du chargeur clignote.
- Si le voyant du chargeur clignote en rouge, une erreur s'est produite avec la pile ou le chargeur. Réessayer ou communiquer avec le service à la clientèle pour obtenir de l'aide.
- Une fois la charge terminée, les voyants de la pile et du chargeur s'éteignent.
- Pour retirer le bloc-piles du chargeur, appuyer sur les loquets et tirer sur le bloc-piles vers le haut.
- Pendant la charge, la température du bloc et la température ambiante doivent être comprises entre 5 à 30 °C (41 à 86 °F).
- Le chargeur détectera si le bloc ou la température ambiante est trop froid ou trop chaud affichera un code d'erreur (le voyant DEL rouge sera allumé) et ne chargera pas le bloc.

Utilisation de l'appareil. Voir la figure 4, à la page 8

- Appuyez sur le bouton ON/OFF (marche/arrêt) situé sur la poignée. Le bouton ON/OFF (marche/arrêt) et les indicateurs lumineux du niveau de charge de la pile sur la poignée s'allumeront lorsque l'appareil sera en marche.

- Afin de maximiser la durée de fonctionnement, activez le mode « Eco » (éco) en appuyant sur le bouton sur le tableau de bord.
- La tête étroite se met en mode « plancher dur » par défaut lorsque le rouleau-brosse est déplacé lentement. Pour le nettoyage des tapis, appuyez sur le bouton « Carpet » (tapis) sur le tableau de bord.

⚠ AVERTISSEMENT! ⚠

Pour réduire les risques de blessures causées par les pièces mobiles, éteignez l'appareil en mettant l'interrupteur à la position « OFF » et débranchez le bloc-piles avant de brancher ou de débrancher les accessoires.

Mode portatif. Voir la figure 5, à la page 8

- Appuyez sur bouton de dégagement de la partie portable. Tirez sur l'aspirateur à main pour le dégager du tube-rallonge.
- Choisissez un accessoire
- Poussez l'accessoire dans la partie portable jusqu'à ce qu'il s'enclenche.

Nettoyage en hauteur. Voir la figure 6, à la page 8

- Appuyez sur le bouton de dégagement de la buse motorisée et tirez sur la buse motorisée pour la retirer du tube-rallonge.
- Choisissez un accessoire
- Poussez l'accessoire dans le tube-rallonge jusqu'à ce qu'il s'enclenche.

⚠ MISE EN GARDE ⚠

N'utilisez pas l'aspirateur pour toiletter un animal.

⚠ AVERTISSEMENT! ⚠

Pour éviter les blessures, en particulier au visage et à la tête, gardez les cheveux, les vêtements amples, les doigts et toute autre partie du corps à bonne distance de la brosse tournante.

Des accessoires supplémentaires sont offerts sur le site Hoover.ca

⚠ MISE EN GARDE ⚠

Ne pas utiliser les accessoires pour sur les animaux de compagnie.

ENTRETIEN

⚠ AVERTISSEMENT! ⚠

Pour éviter les blessures graves, retirez toujours le bloc-piles du produit avant de procéder au nettoyage ou à l'entretien.

⚠ AVERTISSEMENT! ⚠

N'utilisez pas l'aspirateur si le filtre ou le cyclone n'est pas en place.

Entretien général

Éviter de nettoyer les pièces de plastique au moyen de solvants. La plupart des plastiques sont susceptibles d'être endommagés par divers types de solvants commerciaux et leur utilisation. Utiliser un chiffon propre pour enlever la saleté, la poussière, l'huile, la graisse, etc.

Ce produit ne contient pas de pièces réparables.

Si l'appareil ne fonctionne pas comme il se doit et s'il a été échappé, endommagé, laissé à l'extérieur ou échappé dans l'eau, veuillez communiquer avec le service à la clientèle au 1 800 406-2005.

⚠ AVERTISSEMENT! ⚠

N'utilisez pas de savon ou d'autres produits chimiques pour nettoyer le filtre. Laissez sécher complètement le filtre jusqu'à 24 heures avant de le réinstaller dans l'appareil.

Retrait et remplacement du rouleau-brosse.

Voir la figure 9, à la page 9

⚠ AVERTISSEMENT! ⚠

Ne jamais laisser de liquides de frein, d'essence, de produits à base de pétrole, d'huiles pénétrantes, etc. entrer en contact avec les pièces de plastique. Les produits chimiques peuvent endommager, affaiblir ou détruire le plastique, ce qui pourrait causer des blessures graves.

⚠ AVERTISSEMENT! ⚠

Risque de blessures, le rouleau-brosse peut redémarrer de façon soudaine. Coupez l'alimentation et retirez la batterie avant le nettoyage ou l'entretien de l'aspirateur.

Vidage du vide-poussière. Voir la figure 7, à la page 8

- Retirer le bloc-piles.
- Appuyez sur le loquet situé sur le vide-poussière pour le dégager. Inclinez et soulevez le vide-poussière pour le retirer de l'aspirateur balai.
- Placez le vide-poussière au-dessus d'une poubelle et appuyez sur le bouton de dégagement du vide-poussière pour le vider.
- Pour fermer, appuyez sur la porte jusqu'à ce qu'elle se verrouille en place.
- Remplacez le vide-poussière en effectuant des mouvements de va-et-vient.

Nettoyage du filtre et du cyclone. Voir la figure 8, à la page 9

- Ouvrez le couvercle du vide-poussière pour accéder au filtre.
- Pour nettoyer le cyclone, soulevez-le pour le retirer. Nettoyez la saleté et les débris en essuyant la grille métallique avec un chiffon et remplacez le cyclone dans le vide-poussière.
- Retirez le filtre et secouez-le au-dessus d'une poubelle pour éliminer la saleté. Rincez le filtre à l'eau chaude jusqu'à ce que l'eau soit claire. Laissez sécher le filtre pendant 24 heures avant de le réinsérer.

- Retirez la buse motorisée du tube-rallonge. À l'aide d'une pièce de monnaie, poussez et tournez le verrou du rouleau-brosse dans le sens antihoraire pour dégager le rouleau-brosse.
- Tirez le rouleau-brosse hors de la buse motorisée.
- Pour enlever les fils ou les cheveux, faites glisser la lame d'une paire de ciseaux dans la rainure du rouleau-brosse et coupez le long de la rainure. Retirez la saleté et les débris des bouchons d'extrémité et de l'intérieur du boîtier de la buse motorisée.
- Remplacez le rouleau-brosse dans le boîtier et tournez le rouleau-brosse dans le sens horaire pour le verrouiller.

Accessoire motorisé pour poils animaux

Voir la figure 10, à la page 10

- Retirez la buse motorisée du tube-rallonge. À l'aide d'une pièce de monnaie, poussez et tournez le verrou du rouleau-brosse dans le sens antihoraire pour dégager le rouleau-brosse.
- À l'aide de vos doigts, soulevez délicatement le rouleau-brosse de la cavité de la buse à partir du côté le plus près du verrou du rouleau-brosse.
- Pour retirer les débris du rouleau-brosse, essuyez-le doucement avec un chiffon sec. Retirez la saleté et les débris des bouchons d'extrémité et de l'intérieur du boîtier de la buse motorisée.
- Remplacez le rouleau-brosse dans le boîtier et tournez le verrou du rouleau-brosse dans le sens horaire pour le verrouiller.

Pour les options de dépannage, veuillez consulter le site Hoover.ca

Protecteur thermique

Votre appareil est équipé d'un rupteur thermique interne afin de le protéger contre la surchauffe. L'appareil cessera de fonctionner si ce rupteur thermique s'active. Voici ce qu'il faut faire lorsque ceci survient :

1. Éteignez l'appareil et retirez le bloc-piles
2. Videz le vide-poussière
3. Vérifiez si le filtre et le cyclone sont obstrués. Dégagez toutes les obstructions visibles
4. Lorsque le bloc-piles est retiré et que le moteur a refroidi pendant 30 minutes, réinstallez le bloc-piles. Le rupteur thermique se désactivera, et vous pourrez poursuivre le nettoyage.

Si le rupteur thermique continue de s'activer après avoir effectué les étapes ci-dessus, appelez le Service à la clientèle au 1 800 406-2005.

ACCESSOIRES

On peut trouver ces accessoires en consultant les sites Hoover.com ou Hoover.ca ou en composant le 800-406-2005.

Chaque pile ONEPWR fonctionne avec chaque produit ONEPWR.		Pièces et accessoires :	
Pile:	N° de modèle	Chargeur	BH05000
2.0 Ah	BH15020	Accessoire motorisé pour poils d'animaux	AH85320
3.0 Ah	BH15030	Buse en microfibras pour planchers durs	AH85350
3.0 Ah MAX	BH25030	Trousse d'accessoires sans fil	AH85310
4.0 Ah	BH15240	Filtre	AH85300
4.0 Ah MAX	BH25040		
6.0 Ah	BH15260		

ENTRETIEN ET GARANTIE

RENSEIGNEMENTS CONCERNANT L'ENTRETIEN ET GARANTIE LIMITÉE POUR LES PRODUITS ONEPWR HOOVER®

Pour toute aide concernant la garantie ou toute question sur le produit ONEPWR Hoover, communiquer avec le service à la clientèle de Hoover. Pour un entretien aux États-Unis ou au Canada, composer le 800 406-2005.

Les frais de transport ou d'expédition à destination et en provenance du centre de réparation sont payés par le propriétaire. Toujours indiquer le numéro de modèle et le code de fabrication de votre produit pour demander des renseignements ou commander des pièces de rechange. (Le numéro de modèle et le code de fabrication de l'appareil se trouvent derrière le vide-poussière et à l'arrière du chargeur.)

GARANTIE LIMITÉE DE DEUX ANS (USAGE DOMESTIQUE)

ÉLÉMENTS COUVERTS PAR LA PRÉSENTE GARANTIE : Cette garantie limitée fournie par Royal Appliance Mfg. Co., exerçant ses activités sous TTI Floor Care North America (appelée « Hoover » ci-après) s'applique uniquement aux produits achetés aux États-Unis (y compris ses territoires et possessions), au Canada et par l'intermédiaire du programme d'échanges militaires américain. Votre produit HOOVERMD et sa pile sont garantis pour des conditions normales d'utilisation et d'entretien domestiques, comme le stipule le Guide d'utilisation, contre les défauts de matériau et de fabrication pour une période complète de deux ans à compter de la date d'achat (ci-après la « période de garantie »). Si Hoover détermine que le problème que vous rencontrez est couvert en vertu des modalités de la garantie du produit (une « réclamation couverte par la garantie »), nous réparerons alors votre produit ou vous expédierons un produit de rechange, selon la disponibilité des produits, à notre entière discrétion et sans frais (sous réserve du coût d'expédition). Les pièces de rechange peuvent être nouvelles, remises à neuf, légèrement utilisées ou réusinées, à l'entière discrétion de Hoover. Si une pièce ou une pièce de rechange n'est pas disponible, nous pourrions, à notre entière discrétion, fournir un produit de valeur égale ou supérieure, un crédit en magasin (le cas échéant) ou un remboursement équivalant au prix d'achat réel en date de l'achat initial, comme indiqué sur le reçu de vente original.

PERSONNES COUVERTES PAR LA PRÉSENTE GARANTIE : La présente garantie limitée s'applique uniquement à l'acheteur original, avec une preuve d'achat provenant de Hoover ou d'un détaillant autorisé des produits Hoover aux États-Unis, au Canada et par l'intermédiaire du programme d'échanges militaires américain.

RÉCLAMATION AU TITRE DE LA GARANTIE : Si ce produit ne fonctionne pas comme il a été annoncé, communiquer avec le service à la clientèle de Hoover. S'assurer d'avoir en main la preuve d'achat et le numéro de modèle du produit couvert par la garantie.

ÉLÉMENTS NON COUVERTS PAR LA PRÉSENTE GARANTIE : La présente garantie ne couvre pas toute utilisation commerciale du produit (p. ex., utilisation dans le cadre de services ménagers, de conciergerie ou de location de matériel ou de toute autre activité générant un revenu), l'entretien inadéquat du produit, l'utilisation inadéquate du produit, la négligence, les actes de vandalisme ou l'utilisation d'une tension électrique autre que celle indiquée sur la plaque signalétique de ce produit. La présente garantie ne couvre pas les dommages résultant d'un cas de force majeure, d'un accident, d'actes ou d'omission de la part du propriétaire, de l'entretien de ce produit autre que par Hoover ou un fournisseur de service autorisé par Hoover (le cas échéant) ou en raison d'autres actes qui sont hors du contrôle de Hoover. La présente garantie ne couvre pas non plus l'utilisation à l'extérieur du pays d'achat initial du produit ni sa revente par le propriétaire original. La présente garantie ne couvre pas le ramassage, la livraison, le transport et la réparation à domicile. De plus, elle ne couvre pas les produits qui ont été modifiés, les réparations nécessaires en raison de l'usure normale ou l'utilisation de pièces ou d'accessoires qui sont incompatibles avec le produit de Hoover ou qui nuisent à son fonctionnement, à son rendement ou à sa durabilité. Les articles ayant une usure normale qui ne sont pas couverts par cette garantie comprennent, sans s'y limiter, les courroies, les filtres, les rouleaux-brosses, les ventilateurs soufflants, le souffleur et les tuyaux d'aspirateur, les sacs d'aspirateurs et les attaches.

Communiquer avec le service à la clientèle de Hoover au 800 406-2005 pour obtenir des renseignements sur la façon d'expédier ce produit. La présente garantie ne s'applique pas aux produits achetés hors des États-Unis (ce qui comprend ses territoires et possessions), hors du programme d'échanges militaires américain et hors du Canada.

AUTRES CONDITIONS IMPORTANTES : La présente garantie n'est pas transférable et ne peut être cédée; toute cession effectuée en violation de cette interdiction est annulée. La présente garantie sera régie et interprétée selon les lois de l'État de la Caroline du Nord. La Période de garantie ne peut pas être prolongée par une réparation ou un remplacement des piles ou des pièces exécutés en vertu de la présente garantie, quels qu'ils soient.

LA PRÉSENTE GARANTIE EST L'UNIQUE GARANTIE ET RECOURS ET TOUTE GARANTIE EXPLICITE OU IMPLICITE AUTRE QUE LA GARANTIE LIMITÉE PRÉSENTÉE CI-DESSUS, Y COMPRIS LES GARANTIES IMPLICITES DE QUALITÉ MARCHANDE ET DE CONVENANCE À UNE FIN PARTICULIÈRE, EST EXPRESSÉMENT DÉCLINÉE. HOOVER NE POURRA EN AUCUN CAS ÊTRE TENU RESPONSABLE DE TOUS DOMMAGES INTÉRÊTS SPÉCIAUX OU DOMMAGES INDIRECTS, ACCESSOIRES OU CONSÉCUTIFS DE QUELQUE NATURE QUE CE SOIT SUBIS PAR LE PROPRIÉTAIRE DU PRODUIT OU PAR TOUTE PARTIE RÉCLAMANT PAR L'INTERMÉDIAIRE DU PROPRIÉTAIRE, QU'ILS RELÈVENT DE LA RESPONSABILITÉ CONTRACTUELLE, DE LA NÉGLIGENCE, DE LA RESPONSABILITÉ CIVILE DÉLICTEUELLE OU DE LA RESPONSABILITÉ STRICTE DU FAIT DES PRODUITS, OU QU'ILS DÉCOULENT DE QUELQUE CAUSE QUE CE SOIT. DANS LES LIMITES PERMISES PAR LA LOI APPLICABLE, AUCUNE GARANTIE RÉSULTANT D'UNE THÉORIE JURIDIQUE, LE CAS ÉCHÉANT, NE PEUT DÉPASSER LA DURÉE DE LA GARANTIE LIMITÉE AUX PRÉSENTES. LA RESPONSABILITÉ DE HOOVER À VOTRE ENDROIT POUR TOUS LES COÛTS, QUELS QU'ILS SOIENT, DÉCOULANT DE CETTE DÉCLARATION DE GARANTIE LIMITÉE SE LIMITE AU MONTANT PAYÉ POUR CE PRODUIT AU MOMENT DE L'ACHAT INITIAL. HOOVER NE PEUT ÊTRE TENU RESPONSABLE DE TOUT DOMMAGE DIRECT, INDIRECT, CONSÉCUTIF OU ACCIDENTEL RÉSULTANT DE L'UTILISATION DE CE PRODUIT OU DE L'IMPOSSIBILITÉ DE L'UTILISER.

Certains États n'autorisent pas l'exclusion ni la restriction des dommages indirects ou accessoires, l'exclusion de garanties implicites ou les limites de durée d'une garantie implicite; par conséquent, les restrictions ou exclusions précédentes peuvent ne pas s'appliquer.

La présente garantie vous donne des droits précis. Vous pouvez également avoir d'autres droits, lesquels varient d'une province à l'autre.

Bienvenido al

ONE PWR SYSTEM™

Limpié aún más, más rápido y fácil con libertad inalámbrica



PROTEJA SU COMPRA

Para registrar su producto, vaya a la URL siguiente y siga los pasos hasta finalizar.
[HOOVER.COM/PRODUCT-REGISTRATION](https://www.hoover.com/product-registration)

INSTRUCCIONES DE SEGURIDAD IMPORTANTES

CONSERVE ESTAS INSTRUCCIONES

CUANDO SE UTILIZAN APARATOS ELÉCTRICOS, SE DEBEN SEGUIR SIEMPRE PRECAUCIONES BÁSICAS, INCLUIDAS LAS SIGUIENTES:

LEA TODAS LAS INSTRUCCIONES ANTES DE UTILIZAR ESTE APARATO

ADVERTENCIA: PARA DISMINUIR EL RIESGO DE INCENDIO, DESCARGA ELÉCTRICA, DAÑOS O LESIONES, RESPETE LAS SIGUIENTES MEDIDAS:

- Arme la unidad por completo antes de ponerla en funcionamiento.
- NO la use en superficies mojadas. NO la exponga a la lluvia. Almacénela en interiores
- Utilice las prendas adecuadas. No utilice prendas sueltas ni joyas. Átese el pelo largo. Evite que el cabello, la ropa suelta, los dedos y cualquier otra parte del cuerpo o prenda entren en contacto con las aberturas y las piezas móviles de la unidad. Las prendas sueltas, las joyas o el cabello largo pueden quedar atrapados en las piezas móviles internas.
- Apague todos los controles antes de extraer el paquete de baterías del producto.
- No se extienda en exceso. Mantenga el apoyo y equilibrio adecuados en todo momento. El apoyo y el equilibrio adecuados permiten un mejor control del producto en situaciones inesperadas. No use el aparato en una escalera o en un soporte inestable.
- Evite que se lo utilice como un juguete. Los niños de 12 años o menos no deben utilizar la unidad. Cuando la utilicen niños o se utilice cerca de ellos,
- Utilice la unidad únicamente según el uso descrito en este manual. Utilice únicamente los accesorios y productos recomendados por Hoover.
- Utilice la unidad únicamente según el uso descrito en este manual. Utilice solamente los accesorios y productos recomendados por el fabricante.
- Para reducir el riesgo de incendio o explosión, no deje el producto funcionando cuando está sin supervisión. Detenga la unidad de inmediato si exhibe señales de funcionamiento anormal, como pérdida de aspiración, líquido o suciedad en el escape, o cualquier ruido anormal del motor.
- No utilice el cargador si el cable o el enchufe se encuentran dañados. Si el aparato o el cargador no funcionan como deben; si se han caído, han sido dañados, dejados a la intemperie o sumergidos en agua, llame al servicio de atención al cliente al 1-800-406-2005.
- No manipule el cargador (incluido el enchufe y los terminales) con las manos mojadas.
- No extraiga ni transporte el cargador tomándolo por el cable; no tire del cable, no cierre una puerta con él ni lo enrosque alrededor de bordes o esquinas filosas. No apoye el producto sobre el cable. No pase el aparato por encima del cable.

Mantenga el cable lejos de las superficies calientes.

- No desenchufe el cargador tirando del cable. Para desenchufarlo, agarre el enchufe, no el cable.
- Extreme las precauciones cuando limpie en escaleras. Para evitar lesiones o daños físicos, y a fin de evitar que la aspiradora se caiga, colóquela siempre al pie de las escaleras o sobre el suelo. No coloque la aspiradora sobre las escaleras ni sobre un mueble, ya que pueden generarse lesiones o daños.
- No coloque ningún objeto en las aberturas de las ventilaciones. No utilice la unidad si alguna de sus aberturas se encuentra bloqueada. Manténgalas libres de polvo, pelusas, cabello y cualquier otro elemento que pueda disminuir el flujo de aire.
- NUNCA aspire materiales que puedan quemarse o generar humo, como carbón caliente, colillas de cigarrillos, fósforos, cenizas calientes o humeantes, etc.
- NO utilice la unidad para aspirar líquidos combustibles o inflamables, tales como gasolina o restos de madera lijada, ni la utilice en áreas en las que dichas sustancias puedan estar presentes.
- No utilice la unidad si el filtro no está colocado.
- No incinere el cargador, la batería ni el aparato, aun si estuvieran muy dañados. Las baterías pueden explotar y provocar un incendio.
- El producto no tiene que estar enchufado a un tomacorriente, por lo tanto, siempre está en condiciones de funcionamiento. Tenga en cuenta los posibles peligros al utilizar el producto o cuando cambie los accesorios.
- Use la batería solo con el cargador adecuado. Para usar la unidad con baterías de iones de litio ONEPWR de Hoover, consulte la página 6 para ver la compatibilidad de baterías y cargadores.
- Recargue la unidad solo con el cargador especificado por el fabricante. Un cargador adaptado para un tipo de paquete de baterías puede crear un riesgo de incendio cuando se lo utiliza con otro paquete de baterías. No utilice el cargador en exteriores.
- Use el producto solo con los paquetes de baterías diseñados específicamente. El uso de un paquete de baterías distinto puede crear un riesgo de lesiones e incendios.
- Siempre apague la unidad y retire el paquete de baterías del producto cuando esté armando piezas, antes de realizar ajustes, cambiar accesorios, almacenar el producto, limpiarlo, o cuando no esté en uso. La extracción del paquete de baterías evitará el arranque accidental, que puede provocar lesiones personales graves.

INSTRUCCIONES DE SEGURIDAD IMPORTANTES

CONSERVE ESTAS INSTRUCCIONES

- Siempre retire el paquete de baterías del producto cuando esté armando piezas, antes de realizar ajustes, cambiar accesorios, almacenar el producto, limpiarlo, o cuando no esté en uso. La extracción del paquete de baterías evitará el arranque accidental, que puede provocar lesiones personales graves.
- No use un paquete de baterías o un producto que esté dañado o se haya modificado. Las baterías dañadas o modificadas pueden exhibir un comportamiento impredecible que puede provocar incendios, explosiones o riesgo de lesiones.
- No modifique ni intente reparar el aparato o el paquete de baterías, excepto como se indica en las instrucciones de uso y mantenimiento.
- Para reducir el riesgo de explosión y lesiones personales graves, nunca use ni exponga el paquete de baterías a cualquier producto inalámbrico en la presencia de una llama abierta o a temperaturas superiores a 265 °F (130 °C). Una batería que explota puede expulsar suciedad y productos químicos. En caso de exposición, lávese con agua de inmediato.
- Evite el encendido accidental. Asegúrese de que el interruptor esté en la posición de apagado antes de conectar la fuente de alimentación y/o el paquete de baterías, de levantar o de transportar el artefacto. Transportar productos de baterías con su dedo en el interruptor o conectar productos de baterías con el interruptor encendido puede provocar accidentes.
- Bajo condiciones severas, puede eyectarse líquido desde la batería. Evite el contacto. Si sucede un contacto accidental, lávese con agua. Si el líquido entra en contacto con los ojos, busque asistencia médica adicional. El líquido eyectado desde la batería puede provocar irritación o quemaduras.
- No cargue la batería en un sumidero o en un lugar húmedo. No use, almacene ni cargue los paquetes o productos de baterías en lugares donde la temperatura sea inferior a 50 °F (10 °C) o superior a 100 °F (37 °C). No lo almacene en exteriores ni en vehículos.
- Siga todas las instrucciones de carga y no cargue el paquete de baterías ni el aparato fuera del rango de temperaturas especificado en las instrucciones. La carga incorrecta o a temperaturas que estén fuera del rango especificado puede dañar la batería y aumentar el riesgo de incendios.
- Revise si existe falta de alineación o si se unen las piezas móviles, si hay piezas rotas, y cualquier otra condición que pueda
- afectar el funcionamiento del producto. Si encuentra daños, llame al servicio de atención al cliente antes del uso. Los productos con mantenimiento insuficiente pueden provocar gran cantidad de accidentes.
- Utilice solo los accesorios recomendados por el fabricante para su modelo. Los accesorios que puedan ser adecuados para un producto pueden generar un riesgo de lesiones cuando se utilizan en otro.
- Consulte la página 6 para ver la lista de accesorios recomendados.
- No permita que los productos basados en gasolina, aceites, petróleo, etc. entren en contacto con las piezas plásticas. Contienen productos químicos que pueden dañar, debilitar o destruir el plástico.
- Este producto tiene como fin un uso doméstico únicamente. Si se lo utiliza con fines comerciales, la garantía quedará ANULADA.
- Este producto no contiene piezas que el usuario pueda reparar.
- Conserve estas instrucciones. Consúltelas con frecuencia y úselas para capacitar a otras personas que deseen usar este producto. Si presta este producto a alguien, préstele también estas instrucciones.
- Guarde el producto luego de su uso para evitar tropezarse accidentalmente.



¡ADVERTENCIA!



RIESGO DE INCENDIO, DAÑOS A LA PROPIEDAD Y LESIONES. NUNCA EXPONGA EL PAQUETE DE BATERÍAS, EL CARGADOR O LA UNIDAD AL AGUA, LA HUMEDAD O LOS LÍQUIDOS, INCLUIDOS, ENTRE OTROS, LOS LÍQUIDOS CORROSIVOS O CONDUCTORES. NI PERMITA QUE LOS LÍQUIDOS FLUYAN DENTRO DE ESTOS ELEMENTOS.

Los líquidos corrosivos o conductores, como el agua salada, el cloro, ciertos productos químicos industriales, y la lavandina o los productos a base de lavandina, etc., pueden provocar un cortocircuito en el paquete de baterías. Si el paquete de baterías se expone a un líquido corrosivo o conductor, no intente usar ni cargar el paquete de baterías, y realice los pasos siguientes de inmediato:

- Utilice el equipo personal protector adecuado, incluida protección ocular y guantes de goma.
- Coloque el paquete de baterías expuesto en un cubo grande, como un cubo de 5 galones (18 litros) o similar, y llene el cubo con agua corriente común. No coloque más de dos paquetes en el cubo.
- Coloque el cubo en exteriores, en una zona inaccesible para los niños y las mascotas, y lejos de edificios, garajes/cobertizos, estructuras, vehículos y materiales combustibles/inflamables.
- Deje el paquete de baterías en el cubo lleno con agua corriente y llame al Servicio de atención al cliente al 1-800-406-2005 para obtener instrucciones adicionales para desechar correctamente los paquetes de baterías expuestos.

INSTRUCCIONES DE SEGURIDAD IMPORTANTES CONSERVE ESTAS INSTRUCCIONES

PRECAUCIÓN - Para disminuir el riesgo de daños: Evite aspirar objetos duros y filosos con este producto, ya que pueden dañarlo.

Almacénelo apropiadamente en interiores, en un lugar seco. No exponga la máquina a temperaturas bajo cero.

ADVERTENCIA SOBRE LA ELIMINACIÓN DE LA BATERÍA:
RIESGO DE EXPLOSIÓN O EXPOSICIÓN A MATERIAL TÓXICO

BATERÍAS DE IONES DE LITIO

La batería se debe recolectar, reciclar o desechar de una forma que no sea perjudicial para el medio ambiente. El Sello de Reciclado de Baterías RBRC certificado por la Agencia de Protección Ambiental (EPA, por sus siglas en inglés) que se encuentra en la batería de iones de litio (Li-ion) indica que Techtronic Industries, una filial de la empresa de Hoover, Inc., participa voluntariamente en un programa industrial para recolectar y reciclar estas baterías al final de su vida útil, cuando se sacan de servicio, en Estados Unidos o Canadá. El programa RBRC proporciona una buena alternativa a desechar las baterías de iones de litio utilizadas en la basura o en caudales de residuos municipales, lo que puede ser ilegal en su área. Visite la página www.rbrc.org/call2recycle/ para obtener información sobre las prohibiciones/restricciones en su área, en relación con el reciclado y desecho de las baterías de iones de litio. La participación de Hoover, Inc. en este programa es parte de nuestro compromiso con la preservación de nuestro medio ambiente y la conservación de nuestros recursos naturales.



¿TIENE PREGUNTAS O INQUIETUDES?

Póngase en contacto con nosotros:

Hoover.com/support or Hoover.ca/support

800-406-2005

Comuníquese con nosotros:

Twitter: @HooverUSA

Facebook: facebook.com/hoover

No devuelva la unidad a la tienda. Vea la parte superior de la tapa para consultar el número de modelo.

⚠ ¡ADVERTENCIA! ⚠

Las herramientas a batería siempre están en condición de funcionamiento. Por lo tanto, el interruptor siempre debe estar en la posición de apagado cuando no esté en uso o cuando traslade la unidad a su lado.

Si hay piezas dañadas o faltantes, llame al 1-800-406-2005.

Ensamblaje del producto Consulte la Figura 1 en la página 7

- Instale la copa de recolección de residuos en el dispositivo portátil empujándola a mano.
- Empuje la vara de alcance hacia abajo en la boquilla eléctrica hasta que encaje en su sitio.
- Empuje el dispositivo portátil hacia abajo en la vara de alcance hasta que encaje en su sitio.
- Asegúrese de cargar por completo la batería antes del primer uso. La carga puede llevar de 3 a 4 horas como máximo. Después de la carga, inserte la batería en el dispositivo portátil.

⚠ ¡ADVERTENCIA! ⚠

Esta aspiradora no se mantiene por sí sola. Entre los usos o cuando lleve a cabo cualquier tipo de mantenimiento, siempre recuéstela sobre el piso en una ubicación adecuada de modo que no constituya una obstrucción en el paso ni nadie pueda pisarla.

Ensamblaje del montaje en la pared Consulte la Figura 2 en la página 7

- Elija el lugar deseado para el montaje en la pared.
- Coloque el montaje en la pared a la altura deseada. Marque las ubicaciones del anclaje de pared. Instale los anclajes y atornille el montaje a la pared.
- Almacene la aspiradora presionando firmemente la unidad en el montaje en la pared para fijarla.
- Asegúrese siempre de que la aspiradora esté firmemente fija en su lugar.
- Los accesorios pueden almacenarse deslizándolos en la parte superior del montaje en la pared..

FUNCIONAMIENTO

Carga del producto Consulte la Figura 3 en la página 8

- Cargue la batería por completo antes de utilizar la unidad por primera vez. La carga llevará de 3 a 4 horas como máximo. Debido a regulaciones federales la batería no viene completamente cargada.
- Enchufe el cargador en el tomacorriente.
- Conecte el paquete de baterías al cargador alineando los rebordes del paquete de baterías con las ranuras del cargador. Deslice el paquete de baterías en el cargador.
- Cuando realice la carga, las luces de la batería se iluminarán para mostrar el estado de la carga. La luz del cargador parpadeará.
- Si la luz del cargador parpadea en color rojo, existe un error con la batería o el cargador. Intente nuevamente o llame al servicio de atención al cliente para obtener asistencia.
- Una vez que finalice la carga, las luces de la batería y del cargador se apagarán.
- Para extraer el paquete de baterías del cargador, presione los pestillos y tire del paquete de baterías hacia arriba.
- Durante la carga, la temperatura del paquete y la temperatura ambiente deben estar entre 41 y 100 °F (5 y 30 °C).
- El cargador controlará que el paquete, o la temperatura ambiente, estén muy frías o muy calientes, y enviará un código de error (el LED rojo estará encendido) y no cargará el paquete.

Uso del producto Consulte la Figura 4 en la página 8

- Presione el botón de encendido/apagado ubicado en el mango. El botón de encendido/apagado y las luces indicadoras de nivel de batería del mango se iluminarán cuando se encienda la unidad.
- Para maximizar el tiempo de funcionamiento, active el modo ecológico presionando el botón en el tablero.

- De manera predeterminada, la aspiradora Blade utiliza el modo de pisos duros con un cepillo giratorio lento. Para limpiar en alfombras, presione el botón Carpet (Alfombra) en el tablero.

⚠ ¡ADVERTENCIA! ⚠

Para reducir el riesgo de sufrir lesiones personales por las piezas móviles, apague el interruptor de alimentación y desconecte el paquete de baterías antes de conectar o desconectar los accesorios..

Modo de dispositivo portátil Consulte la Figura 5 en la página 8

- Presione el botón de liberación del dispositivo portátil. Tire para separar el dispositivo portátil de la vara de alcance.
- Elija un accesorio.
- Empuje el accesorio en el dispositivo portátil hasta que encastre en su lugar.

Limpieza en lugares elevados Consulte la Figura 6 en la página 8

- Presione el botón de liberación de la boquilla eléctrica y tire para extraer la boquilla eléctrica de la vara de alcance.
- Elija un accesorio.
- Empuje el accesorio en la vara de alcance hasta que encastre en su lugar.

⚠ PRECAUCIÓN! ⚠

La aspiradora no debe utilizarse para limpiar mascotas.

⚠ ¡ADVERTENCIA! ⚠

Para evitar lesiones, particularmente en el rostro y la cabeza, mantenga los cabellos, la ropa suelta, los dedos y todas las partes del cuerpo lejos del cepillo para revolver.

Puede encontrar accesorios adicionales para la compra en Hoover.com

⚠ PRECAUCIÓN! ⚠

No use los accesorios para limpiar mascotas.

MANTENIMIENTO

⚠ ¡ADVERTENCIA! ⚠

Para evitar lesiones personales graves, siempre retire el paquete de baterías del producto cuando realice la limpieza o el mantenimiento.

Enjuague el filtro con agua tibia hasta obtener el agua limpia. Permita que se seque durante 24 horas antes de volver a insertarlo.

⚠ ¡ADVERTENCIA! ⚠

No utilice la aspiradora si esta no tiene colocados el filtro o el ciclón.

⚠ ¡ADVERTENCIA! ⚠

No use jabón ni otros productos químicos para la limpieza. Seque el filtro completamente durante, al menos, 24 horas antes de volver a instalarlo en el producto.

Mantenimiento general

Evite el uso de solventes cuando limpie las piezas plásticas. La mayoría de las piezas plásticas son susceptibles a los daños provocados por diversos tipos de solventes comerciales, y pueden dañarse con su uso. Utilice paños limpios para limpiar el polvo, la suciedad, el aceite, la grasa, etc.

Este producto no contiene piezas que el usuario pueda reparar.

Si el aparato no funciona como debe; si se ha caído, ha sido dañado, dejado a la intemperie o sumergido en agua, comuníquese con el servicio de atención al cliente llamando al 1.800.406.2005.

⚠ ¡ADVERTENCIA! ⚠

No permita que los líquidos de frenos, los productos basados en gasolina y petróleo, los aceites penetrantes, etc. entren en contacto con las piezas plásticas en ningún momento. Los productos químicos pueden dañar, debilitar o destruir el plástico, lo que puede provocar lesiones personales graves.

⚠ AVERTISSEMENT! ⚠

Riesgo de daños personales, el cepillo giratorio puede reiniciarse repentinamente. APAGUE el interruptor de alimentación y quite la batería antes de limpiar o hacer un mantenimiento.

Vaciado de la copa de recolección de residuos Consulte la Figura 7 en la página 8

- Retire el paquete de baterías.
- Presione el pestillo hacia abajo en la copa de recolección de residuos para liberarla. Inclíne y eleve la unidad para extraer la copa de recolección de residuos de la aspiradora vertical.
- Sostenga la copa de recolección de residuos sobre un contenedor de basura y presione el botón de liberación de la copa de recolección de residuos para vaciarla.
- Para cerrarla, presione la puerta hasta que vuelva a encastrar en su lugar.
- Vuelva a colocar la copa de recolección de residuos empujándola en su lugar.

Limpieza del filtro y del ciclón Consulte la Figura 8 en la página 9

- Tire para abrir la tapa de la copa de recolección de residuos y acceder al filtro.
- Para limpiar el ciclón, levántelo para quitarlo. Limpie la suciedad y los residuos pasando un paño por la pantalla metálica y, luego, vuelva a colocarlo en la copa de recolección de residuos.
- Tire del filtro y golpee sobre un cubo de basura para quitar los residuos.

Extracción y reemplazo del cepillo giratorio Consulte la Figura 9 en la página 9

- Retire la boquilla eléctrica de la vara de alcance. Utilizando una moneda, presione y gire el cepillo giratorio en sentido contrario a las agujas del reloj para liberarlo.
- Tire del cepillo giratorio hacia afuera de la boquilla eléctrica
- Para extraer hilos o cabellos, deslice la hoja de un par de tijeras dentro de la ranura del cepillo giratorio y a lo largo de la ranura. Limpie la suciedad/los residuos de las tapas de los extremos y dentro de la carcasa de la boquilla eléctrica.
- Vuelva a colocar el cepillo giratorio en la carcasa y gírelo en el sentido de las agujas del reloj para fijarlo.

Extracción y reemplazo del cepillo giratorio Consulte la Figura 10 en la página 10

- Retire la boquilla eléctrica de la vara de alcance. Utilizando una moneda, presione y gire el cepillo giratorio en sentido contrario a las agujas del reloj para liberarlo.
- Levante suavemente con los dedos el cepillo giratorio de la cavidad de la boquilla que está en el costado más cercano al bloqueo del cepillo giratorio.
- Para quitar los desechos del cepillo giratorio, limpie suavemente con un trapo seco. Limpie la suciedad/los residuos de las tapas de los extremos y dentro de la carcasa de la boquilla eléctrica.
- Vuelva a colocar el cepillo giratorio en la carcasa y gírelo en el sentido de las agujas del reloj para fijarlo.

Para solucionar problemas, visite Hoover.com

Protector térmico

Se ha colocado un protector térmico en la aspiradora para protegerla contra el sobrecalentamiento. Cuando dicho protector se active, la aspiradora dejará de funcionar. De ser así, proceda como se indica a continuación:

1. Apague la aspiradora y retire el paquete de baterías
2. Vacíe la copa de recolección de residuos
3. Inspeccione el filtro y el ciclón en busca de obstrucciones Limpie cualquier obstrucción presente
4. Una vez que haya extraído el paquete de baterías y el motor se haya enfriado durante 30 minutos, vuelva a instalar el paquete de baterías. El protector térmico se desactivará y usted podrá continuar con la limpieza.

Si el protector térmico sigue activándose después de realizar los pasos anteriores, llame al servicio de atención al cliente al 1-800-406-2005.

ACCESORIOS

Busque estos accesorios en Hoover.com o Hoover.ca o llame al 800-406-2005.

Todas las baterías ONEPWR funcionan con todos los productos ONEPWR.		Piezas y accesorios:	
Batería:	N.º de modelo	Cargador	BH05000
2.0 Ah	BH15020	Herramienta para pelos de mascotas motorizada	AH85320
3.0 Ah	BH15030	Boquilla para pisos duros de microfibra	AH85350
3.0 Ah MAX	BH25030	Kit de herramientas inalámbricas	AH85310
4.0 Ah	BH15240	Filtro	AH85300
4.0 Ah MAX	BH25040		
6.0 Ah	BH15260		

INSTRUCCIONES DE SEGURIDAD

INFORMACIÓN DE SERVICIO Y GARANTÍA LIMITADA PARA PRODUCTOS ONEPWR DE HOOVER®

Si necesita ayuda con la garantía, o tiene preguntas sobre su producto ONEPWR de Hoover, comuníquese con el Servicio de atención al cliente. Para el servicio en EE. UU. o Canadá, llame al 800.406.2005.

El propietario deberá pagar todos los costos de envío y/o transporte desde y hasta cualquier lugar de reparación. Identifique su producto de acuerdo al número del modelo y el código de fabricación cuando solicite información o realice el pedido de las piezas de repuesto. (El número de modelo y el código de fabricación de la aspiradora aparecen detrás de la copa de recolección de residuos o del cargador). GARANTÍA LIMITADA DE DOS AÑOS (USO DOMÉSTICO)

COBERTURA DE LA GARANTÍA LIMITADA: Esta garantía limitada provista por Royal Appliance Mfg. Co., que realiza negocios como TTI Floor Care North America (a la que se hará referencia como "Hoover" en el presente documento) se aplica solo a productos adquiridos en EE. UU. (incluidos sus territorios y posesiones), una Tienda de intercambios militares de los EE. UU. o Canadá. En casos de uso y mantenimiento domésticos en condiciones normales y conforme a la Guía del propietario, el producto y la batería Hoover® tienen garantía contra fallas de fábrica en los materiales y fallas por mano de obra por un periodo de dos años desde la fecha de compra original (en adelante, el "Plazo de la garantía"). Si Hoover determina que el problema que presenta cuenta con la cobertura de los términos de la garantía del producto (un "reclamo de la garantía cubierto"), a nuestro criterio y sin costo (sujeto al costo de envío), repararemos su producto o enviaremos un producto de reemplazo, que será nuevo o refabricado y estará sujeto a disponibilidad. Las piezas y reemplazos pueden ser nuevos, reacondicionados, con poco uso o refabricados, según el criterio de Hoover. Si no hay piezas y reemplazos disponibles, a nuestro criterio, podemos otorgar un producto similar de igual o superior valor, un crédito para la compra (si corresponde) o reembolsar el precio de la compra real al momento de la compra original, tal como se indique en el recibo de venta original.

PERSONAS AFECTADAS POR LA COBERTURA DE LA GARANTÍA LIMITADA: Esta garantía limitada se extiende únicamente al comprador minorista original, con comprobante de compra original de Hoover o un distribuidor autorizado de productos Hoover, en EE. UU., Tiendas de intercambios militares de los EE. UU., y en Canadá.

¿CÓMO HACER UN RECLAMO DE LA GARANTÍA?: Si este producto no cumple con la garantía, comuníquese con el Servicio de atención al cliente de Hoover. Tenga a mano el comprobante de compra y el número de modelo para el producto cubierto por la garantía.

¿QUÉ ES LO QUE NO CUBRE ESTA GARANTÍA LIMITADA?: Esta garantía no cubre el uso del producto en operaciones comerciales (tales como servicios de limpieza, portería y servicios de alquiler de equipos, u otra actividad generadora de ingresos); el mantenimiento inadecuado del producto; el producto si ha sido expuesto a abuso, negligencia, mal uso, vandalismo o el uso de voltajes diferentes a los especificados en la placa de identificación del producto. Esta garantía no cubre los daños provocados por actos fortuitos, accidentes, actos u omisiones del propietario, mantenimiento del producto por parte de un proveedor de servicios distinto de Hoover o no autorizado por Hoover (si corresponde), u otros actos que excedan el control de Hoover. Esta garantía tampoco cubre el uso fuera del país en el que se compró el producto originalmente, o la reventa del producto que realice el propietario original. Esta garantía no cubre la recolección, la entrega, el transporte ni las llamadas domésticas. Además, esta garantía no cubre ningún producto que haya sido alterado o modificado, reparado en forma necesario por el desgaste normal, o en el cual se hayan utilizado piezas o accesorios incompatibles con el producto Hoover o que afecten de manera negativa su funcionamiento, rendimiento o durabilidad. Los elementos con desgaste normal que no estén cubiertos por esta garantía incluyen, entre otros, correas, filtros, cepillos giratorios, ventiladores sopladores, sopladores y tubos aspiradores, y bolsas y cintas para la aspiradora.

Llame al Servicio de atención al cliente de Hoover al 800.406.2005 para obtener información sobre cómo enviar este producto. Esta garantía no se aplica a los productos comprados fuera de los Estados Unidos, tiendas de intercambios militares de los EE. UU. o Canadá.

OTROS TÉRMINOS IMPORTANTES: Esta garantía no es transferible y no puede asignarse, cualquier asignación realizada en contravención con esta prohibición quedará nula. Esta garantía se regirá e interpretará bajo las leyes del estado de Carolina del Norte. El Plazo de la garantía no se prolongará por el reemplazo de las baterías o piezas, ni por cualquier reparación realizada conforme a esta garantía.

ESTA GARANTÍA TIENE PREVALENCIA EXCLUSIVA COMO TAL Y COMO RECURSO LEGAL, Y QUEDAN EXPRESAMENTE RECHAZADAS TODAS LAS GARANTÍAS EXPRESAS E IMPLÍCITAS DIFERENTES DE LA GARANTÍA LIMITADA ESTABLECIDA ANTERIORMENTE RESPECTO DE ESTE PRODUCTO, CON INCLUSIÓN DE LAS GARANTÍAS IMPLÍCITAS DE APETITO PARA LA VENTA O ADECUACIÓN A FINES ESPECÍFICOS. EN NINGÚN CASO, HOOVER SERÁ RESPONSABLE POR LOS DAÑOS ESPECIALES, INDIRECTOS, INCIDENTALS O CONSECUENTES DE NINGÚN TIPO QUE SUFRA EL PROPIETARIO O CUALQUIER PARTE QUE RECLAME POR INTERMEDIO DE ESTE, YA SEA CON BASE EN UN CONTRATO, POR NEGLIGENCIA, HECHO ILÍCITO CIVIL O RESPONSABILIDAD OBJETIVA, NI POR NINGUNA OTRA CAUSA, EN LA MÁXIMA MEDIDA PERMITIDA POR LAS LEYES APLICABLES. NINGUNA GARANTÍA QUE SURJA DE LA APLICACIÓN DE LA LEY, SI ES APLICABLE, SUPERARÁ LA DURACIÓN DE LA GARANTÍA LIMITADA AÚQI PROVISTA. LA RESPONSABILIDAD DE HOOVER POR DAÑOS Y POR TODO GASTO QUE SURJA DE ESTA DECLARACIÓN DE GARANTÍA LIMITADA QUEDARÁ RESTRINGIDA AL MONTO ABONADO POR ESTE PRODUCTO AL MOMENTO DE SU COMPRA ORIGINAL, Y HOOVER NO SERÁ RESPONSABLE DE NINGÚN DAÑO DIRECTO, INDIRECTO, EMERGENTE O INCIDENTAL QUE SURJA DEL USO O DE LA IMPOSIBILIDAD DE USO DE ESTE PRODUCTO.

Algunos estados no permiten la exclusión o la limitación de daños incidentes o consecuentes, descargos de garantías implícitas o limitaciones con respecto a la duración de garantías implícitas; por lo tanto, es posible que las exclusiones, los descargos y/o las limitaciones no se apliquen en su caso.

Esta garantía le otorga derechos legales específicos. También puede tener otros derechos, que varían según el estado.

