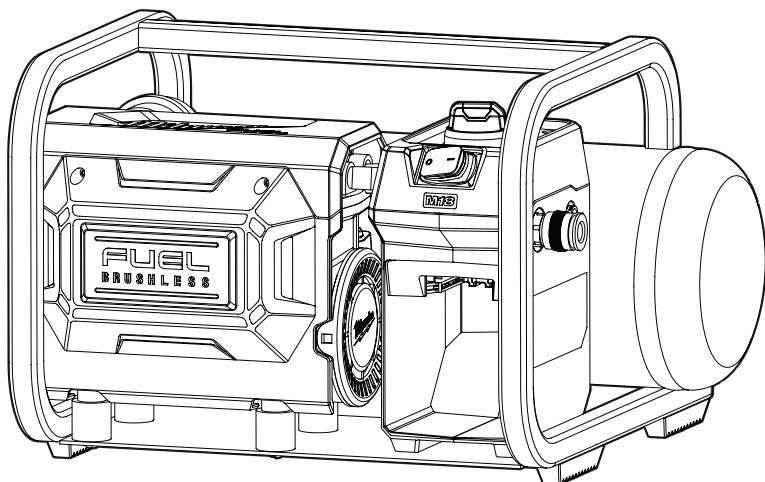




OPERATOR'S MANUAL
MANUEL de L'UTILISATEUR
MANUAL del OPERADOR



Cat. No. / No de cat.
2840-20

M18 FUEL™ 2 GAL. COMPACT QUIET COMPRESSOR
COMPRESSEUR SILENCIEUX COMPACT DE 7,6 L (2 GAL.)
M18 FUEL™
M18 FUEL™ DE 7,6 L (2 GAL.) COMPRESOR SILENCIOSO
COMPACTO



WARNING To reduce the risk of injury, user must read and understand operator's manual.

AVERTISSEMENT Afin de réduire le risque de blessures, l'utilisateur doit lire et bien comprendre le manuel.

ADVERTENCIA Para reducir el riesgo de lesiones, el usuario debe leer y entender el manual.

GENERAL POWER TOOL SAFETY WARNINGS

⚠WARNING Read all safety warnings, instructions, illustrations and specifications provided with this power tool. Failure to follow all instructions listed below may result in electric shock, fire and/or serious injury. **Save all warnings and instructions for future reference.** The term "power tool" in the warnings refers to your mains-operated (corded) power tool or battery-operated (cordless) power tool.

WORK AREA SAFETY

- **Keep work area clean and well lit.** Cluttered or dark areas invite accidents.
- **Do not operate power tools in explosive atmospheres, such as in the presence of flammable liquids, gases or dust.** Power tools create sparks which may ignite the dust or fumes.
- **Keep children and bystanders away while operating a power tool.** Distractions can cause you to lose control.

ELECTRICAL SAFETY

- **Power tool plugs must match the outlet. Never modify the plug in any way. Do not use any adapter plugs with earthed (grounded) power tools.** Unmodified plugs and matching outlets will reduce risk of electric shock.
- **Avoid body contact with earthed or grounded surfaces, such as pipes, radiators, ranges and refrigerators.** There is an increased risk of electric shock if your body is earthed or grounded.
- **Do not expose power tools to rain or wet conditions.** Water entering a power tool will increase the risk of electric shock.
- **Do not abuse the cord. Never use the cord for carrying, pulling or unplugging the power tool. Keep cord away from heat, oil, sharp edges or moving parts.** Damaged or entangled cords increase the risk of electric shock.
- **When operating a power tool outdoors, use an extension cord suitable for outdoor use.** Use of a cord suitable for outdoor use reduces the risk of electric shock.
- **If operating a power tool in a damp location is unavoidable, use a ground fault circuit interrupter (GFCI) protected supply.** Use of an GFCI reduces the risk of electric shock.

PERSONAL SAFETY

- **Stay alert, watch what you are doing and use common sense when operating a power tool. Do not use a power tool while you are tired or under the influence of drugs, alcohol or medication.** A moment of inattention while operating power tools may result in serious personal injury.
- **Use personal protective equipment. Always wear eye protection.** Protective equipment such as a dust mask, non-skid safety shoes, hard hat or hearing protection used for appropriate conditions will reduce personal injuries.
- **Prevent unintentional starting. Ensure the switch is in the off-position before connecting to power source and/or battery, picking up or carrying the tool.** Carrying power tools with your finger on the switch or energizing power tools that have the switch on invites accidents.

- **Remove any adjusting key or wrench before turning the power tool on.** A wrench or a key left attached to a rotating part of the power tool may result in personal injury.
- **Do not overreach. Keep proper footing and balance at all times.** This enables better control of the power tool in unexpected situations.
- **Dress properly. Do not wear loose clothing or jewelry. Keep your hair and clothing away from moving parts.** Loose clothes, jewelry or long hair can be caught in moving parts.
- **If devices are provided for the connection of dust extraction and collection facilities, ensure these are connected and properly used.** Use of dust collection can reduce dust-related hazards.
- **Do not let familiarity gained from frequent use of tools allow you to become complacent and ignore tool safety principles.** A careless action can cause severe injury within a fraction of a second.

POWER TOOL USE AND CARE

- **Do not force the power tool. Use the correct power tool for your application.** The correct power tool will do the job better and safer at the rate for which it was designed.
 - **Do not use the power tool if the switch does not turn it on and off.** Any power tool that cannot be controlled with the switch is dangerous and must be repaired.
 - **Disconnect the plug from the power source and/or remove the battery, if detachable, from the power tool before making any adjustments, changing accessories, or storing power tools.** Such preventive safety measures reduce the risk of starting the power tool accidentally.
 - **Store idle power tools out of the reach of children and do not allow persons unfamiliar with the power tool or these instructions to operate the power tool.** Power tools are dangerous in the hands of untrained users.
 - **Maintain power tools and accessories. Check for misalignment or binding of moving parts, breakage of parts and any other condition that may affect the power tool's operation. If damaged, have the power tool repaired before use.** Many accidents are caused by poorly maintained power tools.
 - **Keep cutting tools sharp and clean.** Properly maintained cutting tools with sharp cutting edges are less likely to bind and are easier to control.
 - **Use the power tool, accessories and tool bits etc. in accordance with these instructions, taking into account the working conditions and the work to be performed.** Use of the power tool for operations different from those intended could result in a hazardous situation.
 - **Keep handles and grasping surfaces dry, clean and free from oil and grease.** Slippery handles and grasping surfaces do not allow for safe handling and control of the tool in unexpected situations.
- ### BATTERY TOOL USE AND CARE
- **Recharge only with the charger specified by the manufacturer.** A charger that is suitable for one type of battery may create a risk of fire when used with another battery.
 - **Use power tools only with specifically designated battery.** Use of any other battery may create a risk of injury and fire.

- When battery is not in use, keep it away from other metal objects, like paper clips, coins, keys, nails, screws or other small metal objects, that can make a connection from one terminal to another. Shorting the battery terminals together may cause burns or a fire.
- Under abusive conditions, liquid may be ejected from the battery; avoid contact. If contact accidentally occurs, flush with water. If liquid contacts eyes, additionally seek medical help. Liquid ejected from the battery may cause irritation or burns.
- Do not use a battery or tool that is damaged or modified. Damaged or modified batteries may exhibit unpredictable behavior resulting in fire, explosion or risk of injury.
- Do not expose a battery or tool to fire or excessive temperature. Exposure to fire or temperature above 265°F (130°C) may cause explosion.
- Follow all charging instructions and do not charge the battery or tool outside the temperature range specified in the instructions. Charging improperly or at temperatures outside the specified range may damage the battery and increase the risk of fire.

SERVICE

- Have your power tool serviced by a qualified repair person using only identical replacement parts. This will ensure that the safety of the power tool is maintained.
- Never service damaged battery. Service of battery should only be performed by the manufacturer or authorized service providers.

SPECIFIC SAFETY RULES FOR AIR COMPRESSOR

- AWARNING** Risk of Fire or Explosion. Do not spray flammable liquid in a confined area. Spray area must be well ventilated. Do not smoke while spraying or spray where spark or flame is present. Keep compressors as far from spraying area as possible.
- AWARNING** Risk of injury. Do not direct air stream at body.
- AWARNING** Use a minimum of 25 ft of hose when connecting the spray gun to the compressor.
- CAUTION** Do not expose to rain. Store indoors.
- CAUTION** Risk of Bursting. Do not adjust regulator to result in output pressure greater than marked maximum pressure of attachment. Do not use at pressure greater than 135 psi.
- Know your air compressor.** Read operator's manual carefully. Learn its applications and limitations, as well as the specific potential hazards related to this product. Do not alter or modify the unit from the original design or function. Misuse and improper handling can cause injury.
- Always follow all safety rules recommended by the manufacturer of air tools and accessories.**
- Never direct a jet of compressed air toward yourself, others, or animals. Dust and debris can cause eye and lung injuries.**
- Do not use compressed air for breathing assistance.**
- Always wear proper eye protection marked to comply with ANSI Z87.1.**
- Do not exceed the pressure rating of any component in the system.**
- When used for inflating, do not overinflate. Follow all manufacturer's instructions for the item being inflated.**
- Check air hose and couplers for wear or damage before each use. Ensure connections are secure.** Do not use if air leaks. Keep hose away from sharp objects, chemical spills, oil, solvents, and wet floors. Do not pull or carry the air compressor by the hose. Replace or repair all damaged parts before use.
- Make sure the hose is free of obstructions or snags.** Entangled or snarled hoses can cause loss of balance or footing and may become damaged.
- Never attempt to block or plug the air outlet during operation.**
- Never leave the air compressor unattended with the air hose attached.**
- Before making adjustments, servicing, transporting, or storing: always turn OFF the air compressor, remove the battery pack, release all pressure, disconnect air hose and air tools, allow unit to cool to the touch, and drain the tank.**
- Never adjust, service, transport, or store an air tool with air connected.** Unexpected starting and possible serious personal injury could occur.
- Air powered tools may require more air consumption than this air compressor is capable of providing. Check the tool manual to avoid damage to the tool or risk of personal injury.**
- AWARNING** To reduce the risk of injury, when working in dusty situations, wear appropriate respiratory protection or use an OSHA compliant dust extraction solution.
- Do not use this air compressor to spray chemicals or paint.** The toxic fumes can damage lungs.
- Avoid use an environment that is dusty or otherwise contaminated.** Using the air compressor in this type of environment may cause damage to the unit.
- AWARNING** Air tanks are under high pressure. Keep face and other body parts away from outlet when relieving pressure or draining the tank.
- Follow proper procedures for relieving pressure and draining the tank.** Release all pressures within the system slowly.
- Drain tanks of moisture after each day's use.** When storing, leave drain valve open to allow moisture to completely drain out and help prevent corrosion on the inside of tank.
- Inspect tank yearly for rust, pin holes, or other imperfections that could cause it to become unsafe.** Never weld or drill holes in the air tank.
- Always use common sense and be cautious when using tools.** It is not possible to anticipate every situation that could result in a dangerous outcome. Do not use this tool if you do not understand these operating instructions or you feel the work is beyond your capability; contact Milwaukee Tool or a trained professional for additional information or training.
- Maintain labels and nameplates.** These carry important information. If unreadable or missing, contact a MILWAUKEE service facility for a free replacement.

WARNING Some dust created by power sanding, sawing, grinding, drilling, and other construction activities contains chemicals known to cause cancer, birth defects or other reproductive harm. Some examples of these chemicals are:

- lead from lead-based paint
- crystalline silica from bricks and cement and other masonry products, and
- arsenic and chromium from chemically-treated lumber.

Your risk from these exposures varies, depending on how often you do this type of work. To reduce your exposure to these chemicals: work in a well ventilated area, and work with approved safety equipment, such as those dust masks that are specially designed to filter out microscopic particles.

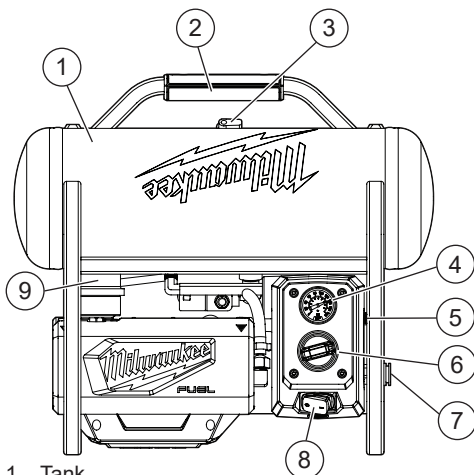
SYMBOLGY

- V** Volts
- Direct Current
- Read Operator's Manual
- Wear Eye Protection
- Hot Surface - To reduce the risk of burns, do not touch
- Risk of Bursting
- Do not expose to rain
- Risk of Fire or Explosion
- Tank pressure
- Outlet pressure
- UL Listing for Canada and U.S.

SPECIFICATIONS

Cat. No.....	2840-20
Volts.....	18 DC
Battery Type.....	M18™
Charger Type.....	M18™
Recommended Ambient Operating Temperature.....	0°F to 125°F
Air Tank Capacity.....	2 gallon
Air Pressure.....	135 psi max.
Air Delivery	40 psi @ 1.7 SCFM
	90 psi @ 1.2 SCFM
Noise level	68 dBA
Quick connect type.....	1/4"

FUNCTIONAL DESCRIPTION



1. Tank
2. Carry handle
3. Drain valve
4. Tank pressure gauge
5. Release valve
6. Regulator knob
7. Quick-connect coupler
8. Auto On/Off Switch
9. Intake filter

ASSEMBLY

WARNING Recharge only with the charger specified for the battery. For specific charging instructions, read the operator's manual supplied with your charger and battery.

Removing/Inserting the Battery

To remove the battery, push in the release buttons and pull the battery away from the tool.

WARNING Always remove battery before changing or removing accessories.

To insert the battery, slide the pack into the body of the tool. Make sure it latches securely into place.

WARNING Only use accessories specifically recommended for this tool. Others may be hazardous.

Installing the Intake Filter

WARNING The intake filter must be installed for optimal performance.

1. Turn off the air compressor and remove the battery pack.
2. Remove the clear plastic muffler tube from the intake filter cap.
3. Unscrew the intake filter cap.
4. Insert the intake filter until it is fully seated.
5. Reinstall the intake filter cap and muffler tube.

Releasing Tank Pressure

WARNING Air tanks are under high pressure. Keep face and other body parts away from outlet when relieving pressure. Always wear proper eye protection marked to comply with ANSI Z87.1.

1. Turn off the air compressor and remove the battery pack.
2. Pull the ring on the release valve to release air until tank pressure gauge reads less than 20 psi.
3. Release the ring.

Connecting an Air Hose (Hose Not Provided)

WARNING Never exceed the air hose or air tool's pressure rating as recommended by the manufacturer. When using this air compressor as an inflation device, always follow the maximum inflation guidelines stated by the manufacturer of the item being inflated.

1. Turn off the air compressor and remove the battery pack.
2. Rotate a pressure regulator knob fully in the counterclockwise direction so that the outlet pressure is at zero (0) psi. **WARNING!** Just because the air compressor is not running does not mean there is no pressure in the tank.
3. Attach a properly rated air hose with quick connect air fitting to 1/4" quick coupler on the air compressor. Push the hose adaptor onto the coupler until the sleeve springs forward to lock it in place.

Disconnecting an Air Hose or Air Tool

WARNING Always turn OFF (O) the air compressor and ensure the regulator pressure gauge reads zero before changing air tools or disconnecting the hose from the air outlet. Failure to do so could result in possible serious personal injury.

1. Turn off the air compressor and remove the battery pack. Confirm that the outlet pressure is at zero (0) psi. **WARNING!** Just because the air compressor is not running does not mean there is no pressure in the tank.
2. To remove the air hose from the air compressor, grasp the release end of the hose securely and pull back on the release sleeve on the 1/4" quick coupler on the air compressor. Pull the hose fitting away from the coupler.
3. To remove an air tool from the air hose, according to the manufacturer's instructions.

APPLICATIONS

Air compressors are utilized in a variety of air system applications. Match hoses, connectors, air tools, and accessories to the capabilities of the air compressor. You may use this product for purposes listed below:

- Operating light-to-medium duty air-powered tools
- Operating air accessories such as air nozzles and automotive tire chucks

OPERATION

WARNING To reduce the risk of injury, always wear proper eye protection marked to comply with ANSI Z87.1.

When working in dusty situations, wear appropriate respiratory protection or use an OSHA compliant dust extraction solution.

Turning the Air Compressor On/Off

1. Connect the hose and accessories to the air compressor.
2. Install the battery pack.
3. To start the compressor, move the Auto On/Off switch to the **AUTO ON** (I) position. When in the **AUTO ON** (I) position, the air compressor will automatically turn back on when the designated tank air pressure drops below the preset pressure limit. It will also shut off again when the cut-off pressure is reached.
4. To turn the air compressor off, move the Auto On/Off switch to the **OFF** (O) position. Release pressure from the tank before making adjustments, servicing, transporting, or storing.

Using the Air Compressor

WARNING Risk of Bursting. Do not adjust regulator to result in output pressure greater than marked maximum pressure of attachment. Do not use at pressure greater than 135 psi.

Air powered tools may require more air consumption than this air compressor is capable of providing. Check the tool manual to avoid damage to the tool or risk of personal injury.

1. Run the daily check of the release valve (see "Checking the Release Valve").
2. Turn off the air compressor and remove the battery pack.
3. Attach a properly rated air hose to the air compressor (see "Connecting an Air Hose").
4. Use the correct fittings to connect the air tool or accessory to the hose.
5. Install the battery pack.
6. Move the Auto On/Off switch to the **AUTO ON** (I) position.
7. Set the air pressure using regulator knob. Turn the knob clockwise to increase or counterclockwise to decrease the air pressure.
8. Following all safety precautions in this manual and the manufacturer's instructions in the air tool manual, begin using the air tool or accessory.

NOTE: The air compressor will shut off during an electrical overload. To reset the internal overload switch, turn off the air compressor and allow the unit to cool. Remove and then reinstall the battery before resuming operation.

9. When finished, move the Auto On/Off switch to the **OFF** (O) position, remove the battery, release all pressure, disconnect air hose and air tools, allow unit to cool to the touch, and drain the tank. Never leave the unit on and/or running unattended.

Draining the Tank

⚠WARNING Air tanks are under high pressure. Keep face and other body parts away from outlet when relieving pressure. Always wear proper eye protection marked to comply with ANSI Z87.1.

To help prevent tank corrosion and keep moisture out of the air used, the air tank of the compressor should be drained daily.

To drain:

1. Turn off the air compressor and remove the battery pack.
2. Pull the ring on the release valve to release air until tank pressure gauge reads less than 20 psi.
3. Release the ring.
4. Turn the drain valve 90° counterclockwise to the **ON** (open) position.
5. Tilt tank to drain moisture from tank into a suitable container. **NOTE:** Condensate is a polluting material and should be disposed of in compliance with local regulations.
6. If a drain valve is clogged, release all air pressure, remove and clean valve, then reinstall.
7. When storing, leave drain valve open to allow moisture to completely drain out and help prevent corrosion on the inside of tank.
8. Turn the drain valve 90° clockwise to the **OFF** (closed) position.

Checking the Release Valve

⚠DANGER Do not tamper with the release valve. The release valve will automatically release air if the air tank pressure exceeds the cut-out pressure. The release valve must work properly when operating the air compressor. If the release valve is stuck open, or does not open when the ring is pulled, contact a MILWAUKEE service facility for repairs.

The release valve should be checked before each day of use by pulling the ring by hand.

1. Install the battery pack.
2. Turn the air compressor to **AUTO ON** (I) and allow the tank to fill. The compressor will shut off when the pressure reaches the cut-out pressure.
3. Turn the air compressor **OFF** (O).
4. Pull the ring on the release valve to release air pressure for three to five seconds. Release the ring. The release valve must reset and hold pressure before all compressed air is exhausted from the tank/pressure vessel.
5. If air continues to escape once the release valve is closed, contact a MILWAUKEE service facility for repairs.

MAINTENANCE

⚠WARNING To reduce the risk of injury, always unplug the charger and remove the battery from the charger or tool before performing any maintenance. Never disassemble the tool, battery or charger. Contact a MILWAUKEE service facility for ALL repairs.

Always turn **OFF** (O) the air compressor, remove the battery pack, release all pressure, disconnect air hose and air tools, allow unit to cool to the touch, and drain the tank before cleaning or making repairs on the air compressor.

Maintaining Tool

Keep your tool, battery and charger in good repair by adopting a regular maintenance program. Inspect your tool for issues such as undue noise, misalignment or binding of moving parts, breakage of parts, or any other condition that may affect the tool operation. Return the tool, battery, and charger to a MILWAUKEE service facility for repair. After six months to one year, depending on use, return the tool, battery and charger to a MILWAUKEE service facility for inspection.

If the tool does not start or operate at full power with a fully charged battery, clean the contacts on the battery. If the tool still does not work properly, return the tool, charger and battery, to a MILWAUKEE service facility for repairs.

⚠WARNING To reduce the risk of personal injury and damage, never immerse your tool, battery or charger in liquid or allow a liquid to flow inside them.

Cleaning

Clean dust and debris from vents. Keep handles clean, dry and free of oil or grease. Use only mild soap and a damp cloth to clean, since certain cleaning agents and solvents are harmful to plastics and other insulated parts. Some of these include gasoline, turpentine, lacquer thinner, paint thinner, chlorinated cleaning solvents, ammonia and household detergents containing ammonia. Never use flammable or combustible solvents around tools.

Storage

Always turn **OFF** the air compressor, remove the battery pack, release all pressure, disconnect air hose and air tools, allow unit to cool to the touch, and drain the tank before storing. Leave drain valve open to allow moisture to completely drain out and help prevent corrosion on the inside of tank.

Repairs

For repairs, return the tool, battery and charger to the nearest authorized service center.

ACCESSORIES

⚠WARNING Use only recommended accessories. Others may be hazardous.

For a complete listing of accessories, go online to www.milwaukeeetool.com or contact a distributor.

SERVICE - UNITED STATES

1-800-SAWDUST (1.800.729.3878)

Monday-Friday, 7:00 AM - 6:30 PM CST

or visit www.milwaukeetool.com

Contact Corporate After Sales Service Technical Support with technical, service/repair, or warranty questions.

Email: metproductsupport@milwaukeetool.com

Become a Heavy Duty Club Member at www.milwaukeetool.com to receive important notifications regarding your tool purchases.

SERVICE - CANADA

Milwaukee Tool (Canada) Ltd

1.800.268.4015

Monday-Friday, 7:00 AM - 4:30 PM CST

or visit www.milwaukeetool.ca

LIMITED WARRANTY USA & CANADA

Every MILWAUKEE power tool* (see exceptions below) is warranted to the original purchaser only to be free from defects in material and workmanship. Subject to certain exceptions, MILWAUKEE will repair or replace any part on an electric power tool which, after examination, is determined by MILWAUKEE to be defective in material or workmanship for a period of five (5) years** after the date of purchase unless otherwise noted. Return of the power tool to a MILWAUKEE factory Service Center location or MILWAUKEE Authorized Service Station, freight prepaid and insured, is required. A copy of the proof of purchase should be included with the return product. This warranty does not apply to damage that MILWAUKEE determines to be from repairs made or attempted by anyone other than MILWAUKEE authorized personnel, misuse, alterations, abuse, normal wear and tear, lack of maintenance, or accidents.

Normal Wear: Many power tools need periodic parts replacement and service to achieve best performance. This warranty does not cover repair when normal use has exhausted the life of a part including, but not limited to, chucks, brushes, cords, saw shoes, blade clamps, c-rings, seals, bumpers, driver blades, pistons, strikers, lifters, and bumper cover washers.

*This warranty does not cover Air Nailers & Staplers; Airless Paint Sprayer; Cordless Battery; Gasoline Driven Portable Power Generators; Hand Tools; Hoist - Electric, Lever & Hand Chain; M12™ Heated Gear; Reconditioned Product; and Test & Measurement Products. There are separate and distinct warranties available for these products.

**The warranty period for Job Site Radios, M12™ Power Port, M18™ Power Source, Jobsite Fan and Trade Titan™ Industrial Work Carts is one (1) year from the date of purchase. The warranty period for the Drain Cleaning Cables and AIRSNAKE™ Drain Cleaning Air Gun Accessories is two (2) years from the date of purchase. The warranty period for the M18™ Compact Heat Gun, 8 Gallon Dust Extractor, M18™ Framing Nailers, M18 FUEL™ 1/2" Ext. Anvil Controlled Torque Impact Wrench w/ ONE-KEY™, M18 FUEL™ 1" High Torque Impact Wrench w/ ONE-KEY™ and the M18 FUEL™ 2 Gal. Compact Quiet Compressor is three (3) years from the date of purchase. The warranty period for the LED in the LED Work Light and the LED Upgrade Bulb for the Work Light is the lifetime of the product subject to the limitations above. If during normal use the LED or LED Bulb fails, the part will be replaced free of charge.

Warranty Registration is not necessary to obtain the applicable warranty on a MILWAUKEE power tool product. The manufacturing date of the product will be used to determine the warranty period if no proof of purchase is provided at the time warranty service is requested.

ACCEPTANCE OF THE EXCLUSIVE REPAIR AND REPLACEMENT REMEDIES DESCRIBED HEREIN IS A CONDITION OF THE CONTRACT FOR THE PURCHASE OF EVERY MILWAUKEE PRODUCT. IF YOU DO NOT AGREE TO THIS CONDITION, YOU SHOULD NOT PURCHASE THE PRODUCT. IN NO EVENT SHALL MILWAUKEE BE LIABLE FOR ANY INCIDENTAL, SPECIAL, CONSEQUENTIAL

OR PUNITIVE DAMAGES, OR FOR ANY COSTS, ATTORNEY FEES, EXPENSES, LOSSES OR DELAYS ALLEGED TO BE AS A CONSEQUENCE OF ANY DAMAGE TO, FAILURE OF, OR DEFECT IN ANY PRODUCT INCLUDING, BUT NOT LIMITED TO, ANY CLAIMS FOR LOSS OF PROFITS. SOME STATES DO NOT ALLOW THE EXCLUSION OR LIMITATION OF INCIDENTAL OR CONSEQUENTIAL DAMAGES, SO THE ABOVE LIMITATION OR EXCLUSION MAY NOT APPLY TO YOU. THIS WARRANTY IS EXCLUSIVE AND IN LIEU OF ALL OTHER EXPRESS WARRANTIES, WRITTEN OR ORAL. TO THE EXTENT PERMITTED BY LAW, MILWAUKEE DISCLAIMS ANY IMPLIED WARRANTIES, INCLUDING WITHOUT LIMITATION ANY IMPLIED WARRANTY OF MERCHANTABILITY OR FITNESS FOR A PARTICULAR USE OR PURPOSE; TO THE EXTENT SUCH DISCLAIMER IS NOT PERMITTED BY LAW, SUCH IMPLIED WARRANTIES ARE LIMITED TO THE DURATION OF THE APPLICABLE EXPRESS WARRANTY AS DESCRIBED ABOVE. SOME STATES DO NOT ALLOW LIMITATIONS ON HOW LONG AN IMPLIED WARRANTY LASTS, SO THE ABOVE LIMITATION MAY NOT APPLY TO YOU. THIS WARRANTY GIVES YOU SPECIFIC LEGAL RIGHTS, AND YOU MAY ALSO HAVE OTHER RIGHTS WHICH VARY FROM STATE TO STATE.

This warranty applies to product sold in the U.S.A. and Canada only. Please consult the 'Service Center Search' in the Parts & Service section of MILWAUKEE's website www.milwaukeetool.com or call 1.800.SAWDUST (1.800.729.3878) to locate your nearest service facility for warranty and non-warranty service on a Milwaukee electric power tool.

LIMITED WARRANTY - MEXICO, CENTRAL AMERICA & CARIBBEAN

TECHTRONIC INDUSTRIES' warranty is for 3 years since the original purchase date.

This warranty card covers any defect in material and workmanship on this Product.

To make this warranty valid, present this warranty card, sealed/stamped by the distributor or store where you purchased the product, to the Authorized Service Center (ASC). Or, if this card has not been sealed/stamped, present the original proof of purchase to the ASC. Call 55 4160-3547 to find the nearest ASC, for service, parts, accessories or components.

Procedure to make this warranty valid

Take the product to the ASC, along with the warranty card sealed/stamped by the distributor or store where you purchased the product, and any faulty piece or component will be replaced without cost for you. We will cover all freight costs relative with this warranty process.

Exceptions

This warranty is not valid in the following situations

- When the product is used in a different manner from the end-user guide or instruction manual.
- When the conditions of use are not normal.
- When the product was modified or repaired by people not authorized by TECHTRONIC INDUSTRIES.

Note: If cord set is damaged, it should be replaced by an Authorized Service Center to avoid electric risks.

SERVICE AND ATTENTION CENTER

Call to 55 4160-3547

IMPORTED AND COMMERCIALIZED BY
TECHTRONIC INDUSTRIES MEXICO, S.A. DE C.V.
Miguel de Cervantes Saavedra No.301 Piso 5, Torre Norte
11520 Colonia Ampliación Granada
Miguel Hidalgo, Ciudad de Mexico, Mexico

Model: _____

Date of Purchase: _____

Distributor or Store Stamp: _____

RÈGLES DE SÉCURITÉ GÉNÉRALES RELATIVES AUX OUTILS ÉLECTRIQUES

⚠ AVERTISSEMENT Lire toutes les consignes de sécurité, consignes, illustrations et spécifications fournies avec cet outil électrique. Ne pas suivre l'ensemble des règles et instructions peut entraîner une électrocution, un incendie ou des blessures graves. Conserver les règles et les instructions à des fins de référence ultérieure. Le terme «outil électrique» figurant dans les avertissements ci-dessous renvoie à l'outil électrique à alimentation par le réseau (à cordon) ou par batterie (sans fil).

SÉCURITÉ DU LIEU DE TRAVAIL

- Veillez à ce que l'aire de travail soit propre et bien éclairée. Le désordre et le manque de lumière favorisent les accidents.
- Ne pas utiliser d'outils électriques dans des atmosphères explosives, par exemple en présence de liquides, gaz ou poussières inflammables. Les outils électriques produisent des étincelles risquant d'enflammer les poussières ou vapeurs.
- S'assurer que les enfants et les curieux se trouvent à une bonne distance au moment d'utiliser un outil électrique. Les distractions peuvent causer une perte de contrôle.

SÉCURITÉ ÉLECTRIQUE

- Les fiches des outils électriques doivent correspondre à la prise secteur utilisée. Ne jamais modifier la fiche, de quelque façon que ce soit. Ne jamais utiliser d'adaptateurs de fiche avec des outils mis à la terre. Les fiches et prises non modifiées réduisent le risque de choc électrique.
- Éviter tout contact avec des surfaces mises à la terre comme des tuyaux, des radiateurs, des cuisinières et des réfrigérateurs. Le risque de choc électrique est accru lorsque le corps est mis à la terre.
- Ne pas exposer les outils électriques à l'eau ou l'humidité. La pénétration d'eau dans ces outils accroît le risque de choc électrique.
- Ne pas maltraiter le cordon d'alimentation. Ne jamais utiliser le cordon d'alimentation pour transporter l'outil électrique et ne jamais débrancher ce dernier en tirant sur le cordon. Garder le cordon à l'écart de la chaleur, de l'huile, des objets tranchants et des pièces en mouvement. Un cordon endommagé ou emmêlé accroît le risque de choc électrique.
- Pour les travaux à l'extérieur, utiliser un cordon spécialement conçu à cet effet. Utiliser un cordon conçu pour l'usage extérieur réduit les risques de choc électrique.
- Si l'utilisation d'un outil électrique est inévitable dans un endroit humide, utiliser une source d'alimentation munie d'un disjoncteur de fuite de terre. L'utilisation d'un disjoncteur de fuite de terre réduit le risque de choc électrique.

SÉCURITÉ INDIVIDUELLE

- Rester attentif, prêter attention au travail et faire preuve de bon sens lors de l'utilisation de tout outil électrique. Ne pas utiliser cet appareil en cas de fatigue ou sous l'influence de l'alcool, de drogues ou de médicaments. Un moment d'inattention pendant l'utilisation d'un outil électrique peut entraîner des blessures graves.

- Porter l'équipement de protection individuel requis. Toujours porter une protection oculaire. Selon les conditions, porter aussi un masque anti-poussières, des bottes de sécurité antidérapantes, un casque protecteur ou une protection auditive afin de réduire les blessures.
- Empêcher les démarrages accidentels. S'assurer que la gâchette est en position d'arrêt avant de brancher l'outil à une source de courant, d'insérer la batterie, de le ramasser ou de le transporter. Le fait de transporter un outil électrique en gardant le doigt sur la gâchette ou de mettre sous tension un outil électrique lorsque la gâchette est en position de marche favorise les accidents.
- Retirer les clés de réglage avant de mettre l'outil en marche. Une clé laissée sur une pièce rotative de l'outil peut causer des blessures.
- Ne pas travailler hors de portée. Toujours se tenir bien campé et en équilibre. Une bonne stabilité procure un meilleur contrôle de l'outil électrique en cas d'imprévu.
- Porter une tenue appropriée. Ne porter ni vêtements amples, ni bijoux. Garder les cheveux et les vêtements à l'écart des pièces en mouvement. Les vêtements flottants, les bijoux ou les cheveux longs risquent d'être happés par les pièces en mouvement.
- Si les outils sont équipés de dispositifs de dé poussiérage, s'assurer qu'ils sont connectés et correctement utilisés. L'utilisation d'un collecteur de poussière permet de réduire les dangers liés à la poussière.
- Ne pas laisser la familiarité avec l'outil acquise par une utilisation fréquente vous rendre suffisant et vous amener à ignorer les règles de sécurité. Une utilisation négligée peut causer une blessure grave en une fraction de seconde.

UTILISATION ET ENTRETIEN DE L'OUTIL ÉLECTRIQUE

- Ne pas forcer l'outil électrique. Utiliser l'outil électrique approprié pour l'application. Un outil électrique approprié exécutera le travail mieux et de façon moins dangereuse s'il est utilisé dans les limites prévues.
- Ne pas utiliser l'outil électrique si le commutateur ne permet pas de le mettre en marche ou de l'arrêter. Tout outil électrique qui ne peut pas être contrôlé par son commutateur est dangereux et doit être réparé.
- Débrancher l'outil et/ou retirer le bloc-piles, si possible, avant d'effectuer des réglages, de changer d'accessoire ou de remettre l'outil. Ces mesures de sécurité préventives réduisent les risques de démarrage accidentel de l'outil.
- Entreposer l'outil électrique hors de la portée des enfants et interdire à quiconque de l'utiliser si la personne ne connaît pas bien le produit ou les instructions. Les outils électriques sont dangereux dans les mains d'utilisateurs novices.
- Entretenir les outils électriques et les accessoires. Vérifier qu'aucune pièce mobile n'est mal alignée ou bloquée, qu'aucune pièce n'est brisée et s'assurer qu'aucun autre problème risqué d'affecter le bon fonctionnement de l'outil. En cas de dommages, faire réparer l'outil avant de l'utiliser. Plusieurs accidents sont causés par des produits mal entretenus.

RÈGLES DE SÉCURITÉ PARTICULIÈRES POUR LES COMPRESSEURS D'AIR

- **Garder les outils bien affûtés et propres.** Des outils correctement entretenus et dont les tranchants sont bien affûtés risquent moins de se bloquer et sont plus faciles à contrôler.
- **Utiliser l'outil électrique, les accessoires, les embouts etc. conformément à ces instructions en tenant compte des conditions de travail et de la tâche à effectuer.** L'usage d'un outil électrique pour des applications pour lesquelles il n'est pas conçu peut être dangereux.
- **Garder les poignées et les surfaces de préhension sèches, propres et exemptes d'huile ou de graisse.** Des poignées et des surfaces de préhension glissantes ne permettent pas de manipuler et de contrôler l'outil en toute sécurité en cas de situation imprévue.

UTILISATION ET ENTRETIEN DE LA BATTERIE

- **Pour recharger le bloc-piles, utiliser seulement le chargeur spécifié par le fabricant.** Un chargeur pouvant convenir à un type de bloc-piles peut entraîner un risque d'incendie lorsqu'il est utilisé avec un autre type de bloc-piles.
- **N'utiliser l'outil électrique qu'avec une batterie recommandée.** L'utilisation de tout autre bloc-piles peut créer un risque de blessures et d'incendie.
- **Lorsque le bloc-piles n'est pas utilisé, le tenir éloigné des objets en métal tels que les trombones, les pièces de monnaie, les clés, les clous, les vis ou d'autres petits objets métalliques qui pourraient connecter les bornes.** Le court-circuitage des bornes d'une pile peut entraîner des brûlures ou un incendie.
- **Éviter tout contact avec le liquide pouvant être éjecté de la pile en cas de manutention abusive. En cas de contact accidentel, rincer immédiatement les parties atteintes avec de l'eau. Si le liquide entre en contact avec les yeux, consulter un médecin.** Le liquide éjecté des piles peut causer des irritations ou des brûlures.
- **N'utiliser aucun bloc-piles ni aucun outil ayant été endommagé ou modifié.** Des piles endommagées ou modifiées peuvent adopter un comportement imprévisible pouvant causer un incendie, une explosion ou le risque de blessures.
- **Ne pas exposer le bloc-piles ou l'outil aux flammes ou à une température excessive.** Une exposition aux flammes ou à une température supérieure à 130°C (265°F) peut causer une explosion.
- **Suivre toutes les instructions de charge et ne pas charger le bloc-piles ou l'outil en dehors de la plage de température spécifiée.** Une charge incorrecte ou à des températures en dehors de la plage spécifiée peut endommager la pile et augmenter le risque d'incendie.

ENTRETIEN

- **Les réparations de l'outil électrique doivent être confiées à un technicien qualifié, utilisant exclusivement des pièces identiques à celles d'origine.** Le maintien de la sûreté de l'outil électrique sera ainsi assuré.
- **Ne jamais effectuer la réparation d'un bloc-piles endommagé.** La réparation du bloc-piles doit être réalisée par le fabricant ou les fournisseurs de service agréés uniquement.

⚠ AVERTISSEMENT Risque de blessures. Ne pas diriger le courant d'air vers le corps.

⚠ AVERTISSEMENT Risque d'incendie ou d'explosion. Ne pas vaporiser de liquides inflammables dans un endroit confiné. La zone de pulvérisation doit être bien ventilée. Ne pas fumer pendant la pulvérisation ni pulvériser en présence de flammes. Garder les compresseurs le plus loin possible de la zone de pulvérisation.

⚠ AVERTISSEMENT Utiliser une quantité minimale de 7,6 m (25') de tuyau lors du raccord du pistolet de pulvérisation au compresseur.

⚠ PRÉCAUTION Ne pas l'exposer à la pluie. Entreposer à l'intérieur.

⚠ PRÉCAUTION Risque d'éclatement. Ne pas régler le modulateur pour obtenir une pression de sortie supérieure à la pression maximale de l'accessoire utilisé. Ne pas utiliser une pression de plus de 135 PSI.

• **Prendre connaissance de votre compresseur d'air.** Lire attentivement le manuel d'utilisation. Apprendre les applications et les limites du produit, ainsi que les risques spécifiques relatifs à son utilisation. Ne pas altérer ni modifier le compresseur ; ne pas l'utiliser pour d'applications pour lesquelles il n'est pas conçu. L'usage abusif et le maniement incorrect pourront causer de blessures.

• **Toujours suivre toutes les règles de sécurité conseillées par le fabricant d'outils pneumatiques et d'accessoires.**

• **Ne jamais diriger le jet d'air comprimé vers soi-même, d'autres personnes ou d'animaux.** La poussière et les débris pourront causer de blessures oculaires et pulmonaires.

• **Ne pas utiliser d'air comprimé en tant qu'aide respiratoire.**

• **Toujours porter une protection oculaire correcte certifiée conforme à la norme ANSI Z87.1.**

• **Ne pas dépasser les pressions nominales des composants du système.**

• **Si l'outil est utilisé à des fins de gonflage, ne pas surgonfler. Suivre toutes les consignes indiquées par le fabricant par rapport à l'élément à gonfler.**

• **Vérifier, avant chaque usage, le tuyau à air et les coupleurs pour savoir s'il y a des dommages ou d'usure. Vérifier que les connexions sont bien branchées.** Ne pas les utiliser si elles ont de fuites d'air. Tenir le tuyau à l'écart de tout objet tranchant, déversement de produits chimiques, huile, solvants et sols humides ou mouillés. Ne pas tirer ou transporter le compresseur par son tuyau. Remplacer ou réparer toutes les pièces endommagées avant d'utiliser l'outil.

• **S'assurer que le tuyau n'est ni bloqué, ni accroché.** Un tuyau emmêlé ou entortillé peut causer une perte d'équilibre et être endommagé.

• **Ne jamais essayer de bloquer ni de brancher la prise d'air durant une opération.**

• **Ne jamais laisser le compresseur d'air sans surveillance avec le tuyau à air branché.**

• Avant d'entreprendre tout ajustement, entretien, transport ou entreposage, il faut toujours ÉTEINDRE le compresseur d'air, enlever le bloc-piles, libérer toute pression, débrancher le tuyau à air et les outils pneumatiques, laisser l'unité refroidir au toucher et purger le réservoir.

• Ne jamais ajuster, maintenir, transporter ou entreposer un outil pneumatique si l'alimentation d'air est encore branchée. Des blessures pourront survenir à cause d'un démarrage imprévu.

• Les outils pneumatiques pourront avoir une consommation d'air plus élevée que celle que ce compresseur d'air peut générer. Consulter le manuel d'utilisation de l'outil afin d'éviter les blessures ou d'endommager l'outil.

• **AVERTISSEMENT** Afin de minimiser le risque de blessures, lorsque de travaux sont faits dans de situations poussiéreuses, porter une protection respiratoire ou bien, utiliser une solution d'extraction de poussière conforme aux normes OSHA.

• Ne pas utiliser ce compresseur d'air pour pulvériser de produits chimiques ni de la peinture. Les fumées toxiques peuvent nuire les poumons.

• Éviter utiliser ce produit dans des endroits poussiéreux ou autrement contaminés. Le compresseur peut être endommagé s'il est utilisé dans de tels environnements.

• **AVERTISSEMENT** Les réservoirs d'air sont sous une haute pression. Tenir le visage et toutes les autres parties du corps à l'écart de la prise lors de la décharge de pression ou de la purge du réservoir.

• Suivre les procédures correspondantes à la décharge de pression et à la purge du réservoir. Libérer lentement toutes les pressions à l'intérieur du système.

• Purger les réservoirs de tout liquide qui peut les rendre humides ou mouillés avant l'utiliser chaque jour. Lors de l'entreposage, laisser la valve de purge ouverte afin de laisser l'humidité s'en sortir, ce qui évitera la corrosion de l'intérieur du réservoir.

• Entreprendre une inspection annuelle du réservoir afin de s'assurer qu'il n'est pas ni rouillé ni piqué et ne présente aucun défaut risquant de le rendre dangereux. Ne jamais percer ou souder le réservoir.

• Toujours faire preuve de bons sens et procéder avec prudence lors de l'utilisation d'outils. C'est impossible de prévoir toutes les situations dont le résultat est dangereux. Ne pas utiliser cet outil si vous ne comprenez pas ces instructions d'opération ou si vous pensez que le travail dépasse votre capacité ; veuillez contacter Milwaukee Tool ou un professionnel formé pour recevoir plus d'information ou formation.

• Maintenir en l'état les étiquettes et les plaques d'identification. Des informations importantes y figurent. Si elles sont illisibles ou manquantes, contacter un centre de services et d'entretien MILWAUKEE pour un remplacement gratuit.

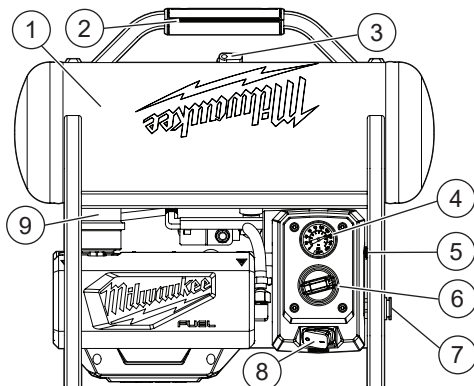
• **AVERTISSEMENT** Certaines poussières générées par les activités de ponçage, de coupe, de rectification, de perçage et d'autres activités de construction contiennent des substances considérées être la cause de malformations congénitales et de troubles de l'appareil reproducteur. Parmi ces substances figurent :

• le plomb contenu dans les peintures à base de plomb ;

• la silice cristalline des briques, du ciment et d'autres matériaux de maçonnerie, ainsi que

• l'arsenic et le chrome des sciages traités chimiquement. Les risques encourus par l'opérateur envers ces expositions varient en fonction de la fréquence de ce type de travail. Pour réduire l'exposition à ces substances chimiques, l'opérateur doit : travailler dans une zone bien ventilée et porter l'équipement de sécurité approprié, tel qu'un masque anti-poussière spécialement conçu pour filtrer les particules microscopiques.

DESCRIPTION FONCTIONNELLE



- | | |
|---------------------------|---|
| 1. Réservoir | 6. Bouton de modulation |
| 2. Poignée de transport | 7. Coupleur Quick Connect |
| 3. Valve de purge | 8. Commutateur « Marche/Arrêt » automatique |
| 4. Manomètre du réservoir | 9. Filtre d'admission |
| 5. Valve de libération | |

PICTOGRAPHIE

- Volts
- Courant direct
- Lire le manuel d'utilisation
- Toujours porter une protection oculaire.
- Surface brûlante – Pour réduire les risques de brûlures, ne pas la toucher.
- Risque d'éclatement
- Ne pas l'exposer à la pluie
- Risque d'incendie ou d'explosion
- Pression du réservoir
- Pression de sortie
- UL Listing Mark pour Canada et États-unis

SPÉCIFICATIONS

No de Cat.....	2840-20
Volts	18 CD
Type de batterie	M18™
Type de chargeur	M18™
Température ambiante de fonctionnement recommandée	-18°C à 50°C (0°F à 125°F)
Volume du réservoir	7,6 litres (2 gal.)
Pression d'air	135 psi max.
Puissance d'air	40 psi à 1,7 SCFM 90 psi à 1,2 SCFM
Niveau sonore	68 dBA
Type de connexion rapide	6 mm (1/4")

MONTAGE DE L'OUTIL

⚠ AVERTISSEMENT Ne recharger la batterie qu'avec le chargeur spécifié. Pour les instructions de charge spécifiques, lire le manuel d'utilisation fourni avec le chargeur et les batteries.

Insertion/Retrait de la batterie

Pour retirer la batterie, enfoncer les boutons de déverrouillage et la tirer hors de l'outil.

⚠ AVERTISSEMENT Il faut toujours retirer la batterie et verrouiller la détente de l'outil avant de changer ou d'enlever les accessoires.

Pour insérer la batterie, la glisser dans le corps de l'outil. S'assurer qu'elle est fixée solidement.

⚠ AVERTISSEMENT L'emploi d'accessoires autres que ceux qui sont expressément recommandés pour cet outil peut comporter des risques.

Installation du filtre d'admission

⚠ AVERTISSEMENT L'emploi d'accessoires autres que ceux qui sont expressément recommandés pour cet outil peut comporter des risques.

1. Éteindre le compresseur d'air et enlever le bloc-piles.
2. Enlever le tube suppresseur de son en plastique transparent du couvercle du filtre d'admission.
3. Dévisser le couvercle du filtre d'admission.
4. Insérer le filtre d'admission jusqu'à ce qu'il soit bien en place.
5. Réinstaller le couvercle du filtre d'admission et le tube suppresseur de son.

Libération de la pression du réservoir

⚠ AVERTISSEMENT Les réservoirs d'air sont sous une haute pression. Tenir le visage et toutes les autres parties du corps à l'écart de la prise lors de la décharge de pression. Toujours porter une protection oculaire correcte certifiée conforme à la norme ANSI Z87.1.

1. Éteindre le compresseur d'air et enlever le bloc-piles.
2. Tirer l'anneau sur la valve de libération afin de libérer l'air jusqu'à ce que le manomètre du réservoir affiche une lecture de moins de 20 PSI.
3. Relâcher l'anneau.

Connexion d'un tuyau à air (tuyau non compris)

⚠ AVERTISSEMENT Ne jamais dépasser la pression nominale du tuyau à air ou de l'outil pneumatique conseillée par le fabricant. Lors de l'utilisation de ce compresseur d'air en tant que dispositif de gonflage, toujours suivre les directives de gonflage maximale indiquées par le fabricant de l'élément à gonfler.

1. Éteindre le compresseur d'air et enlever le bloc-piles.
2. Donner un tour complet à gauche au bouton de modulation de pression pour que la pression de la prise soit à zéro (0) PSI. **AVERTISSEMENT!** Veuillez noter que, même si le compresseur d'air n'est pas mis en marche, ceci ne signifie pas que le réservoir n'ait pas de pression.
3. Raccorder le tuyau à air ayant la pression nominale correcte avec le raccord d'air à connexion rapide à un coupleur rapide de 6 mm (1/4") sur le compresseur d'air. Pousser l'adaptateur de tuyau sur le coupleur jusqu'à ce que le manchon revienne vers l'avant pour verrouiller le tuyau en place.

Débranchement d'un tuyau à air ou d'un outil pneumatique

⚠ AVERTISSEMENT Toujours ÉTEINDRE (O) le compresseur d'air et s'assurer que le manomètre de régulation de pression affiche une lecture de zéro avant de changer les outils pneumatiques ou de débrancher le tuyau d'une prise d'air. Ne pas prendre cette précaution pourrait entraîner des blessures graves.

1. Éteindre le compresseur d'air et enlever le bloc-piles. Vérifier que la pression de la prise est à zéro (0) PSI. **AVERTISSEMENT!** Veuillez noter que, même si le compresseur d'air n'est pas mis en marche, ceci ne signifie pas que le réservoir n'ait pas de pression.
2. Pour enlever le tuyau à air du compresseur d'air, tenir fermement le bout ouvert du tuyau et tirer le manchon de libération du coupleur rapide de 6 mm (1/4") qui se trouve sur le compresseur d'air. Tirer le raccord du tuyau pour le séparer du coupleur.
3. Afin d'enlever le tuyau à air d'un outil pneumatique, veuillez lire et suivre les consignes munies par le fabricant.

APPLICATIONS

Les compresseurs d'air sont utilisés pour d'applications diverses. Les capacités nominales des tuyaux, des outils pneumatiques et des accessoires doivent correspondre à celles du compresseur. Vous pouvez utiliser ce produit pour les tâches suivantes:

- Usage d'outils pneumatiques pour d'applications légères et moyennes
- Usage d'accessoires pneumatiques tels que les buses à air et les mandrins pour pneus de voiture.

MANIEMENT

⚠ AVERTISSEMENT Afin de minimiser le risque de blessures, toujours porter la protection oculaire appropriée certifiée conforme à la norme ANSI Z87.1.

Lorsque de travaux sont faits dans des situations poussiéreuses, porter une protection respiratoire ou bien, utiliser une solution d'extraction de poussière conforme aux normes OSHA.

Mise en marche et arrêt du compresseur d'air

1. Raccorder le tuyau et les accessoires au compresseur d'air.
2. Installer le bloc-piles.
3. Pour démarrer le compresseur, déplacer le commutateur « Marche/Arrêt » automatique vers la position de « Marche automatique » (I). Une fois dans la position de « Marche automatique » (I), le compresseur d'air sera remis automatiquement en marche lorsque la pression d'air indiquée sur le réservoir soit moins du niveau de pression préétabli. L'appareil s'arrêtera aussi lorsque la pression limite est atteinte.
4. Pour éteindre le compresseur d'air, déplacer le commutateur « Marche/Arrêt » automatique vers la position d'arrêt (O). Libérer la pression qui se trouve dans le réservoir avant d'entreprendre tout ajustage, entretien, transport ou entreposage.

Utilisation du compresseur d'air

⚠ AVERTISSEMENT Risque d'éclatement. Ne pas régler le modulateur pour obtenir une pression de sortie supérieure à la pression nominale de l'accessoire utilisé. Ne pas utiliser une pression de plus de 135 PSI.

Les outils pneumatiques pourront avoir une consommation d'air trop élevée que celle que ce compresseur d'air peut générer. Consulter le manuel d'utilisation de l'outil afin d'éviter les blessures ou d'endommager l'outil.

1. Entreprendre une révision quotidienne de la valve de libération (voir la section « Vérification de la valve de libération »).
2. Éteindre le compresseur d'air et enlever le bloc-piles.
3. Raccorder le tuyau à air ayant la pression nominale correcte au compresseur d'air (voir la section « Connexion d'un tuyau à air »).
4. Utiliser les raccords corrects pour raccorder l'outil pneumatique ou l'accessoire au tuyau.
5. Installer le bloc-piles.
6. Déplacer le commutateur « Marche/Arrêt » automatique vers la position de « Marche automatique » (I).
7. Régler la pression d'air à l'aide du bouton de modulation. Faire tourner le bouton à droite pour augmenter la pression ou bien, à gauche pour la réduire.
8. Tout en suivant l'ensemble de consignes de sécurité énumérées dans ce manuel et les instructions du fabricant qui se trouvent dans le manuel de l'outil pneumatique, commencer à utiliser l'outil pneumatique ou l'accessoire.

REMARQUE: Le compresseur d'air s'éteindra si une surcharge électrique survient. Pour ré-

initialiser le commutateur de surcharge interne, éteindre le compresseur d'air et laisser l'unité refroidir. Enlever la pile et la remettre en place avant de continuer avec votre opération.

9. Une fois votre tâche finie, déplacer le commutateur « Marche/Arrêt » automatique vers la position d'arrêt (O), enlever la pile, libérer toute pression, débrancher le tuyau à air et les outils d'air, laisser l'unité refroidir au toucher et purger le réservoir. Ne jamais laisser l'unité allumée ni fonctionner sans surveillance

Purge du réservoir

⚠ AVERTISSEMENT Les réservoirs d'air sont sous une haute pression. Tenir le visage et toutes les autres parties du corps à l'écart de la prise lors de la décharge de pression. Toujours porter une protection oculaire correcte certifiée conforme à la norme ANSI Z87.1.

Pour éviter la corrosion de l'intérieur du réservoir et la présence d'humidité dans l'air utilisé, le réservoir du compresseur doit être purgé quotidiennement.

Pour purger :

1. Éteindre le compresseur d'air et enlever le bloc-piles.
2. Tirer l'anneau sur la valve de libération afin de libérer l'air jusqu'à ce que le manomètre du réservoir affiche une lecture de moins de 20 PSI.
3. Relâcher l'anneau.
4. Tourner la valve de purge 90° à gauche, vers sa position de marche (ouverte).
5. Incliner le réservoir pour le purger du liquide vers un récipient approprié. **REMARQUE:** Les condensats sont polluants et doivent être éliminés conformément aux réglementations locales.
6. Si la valve de purge est bloquée, libérer tout pression d'air, l'enlever, la nettoyer et la réinstaller encore une fois.
7. Lors de l'entreposage, laisser la valve de purge ouverte afin de laisser l'humidité s'en sortir, ce qui évitera la corrosion de l'intérieur du réservoir.
8. Tourner la valve de purge 90° à droite, vers sa position d'arrêt (fermé).

Vérification de la valve de libération

⚠ DANGER Ne pas altérer la valve de libération. La valve de libération libérera automatiquement de l'air si la pression dans le réservoir d'air dépasse la pression limite. La valve de libération devra fonctionner correctement lors de l'usage du compresseur d'air. Si la valve de libération est coincée en position d'ouverture ou bien, si elle n'ouvre pas lorsqu'on tire l'anneau, contacter un centre de service MILWAUKEE à des fins de réparation.

Il faut vérifier l'état de la valve de libération avant chaque journée d'utilisation en tirant l'anneau à la main.

1. Installer le bloc-piles.
2. Mettre le compresseur d'air en marche automatique (I) et laisser le réservoir se remplir. Le compresseur s'arrêtera lorsque la pression limite est parvenue.
3. Éteindre le compresseur d'air (O).

4. Tirer de trois à cinq secondes sur l'anneau de la valve de pression d'air pour en libérer. Relâcher l'anneau. La valve de libération doit se réarmer et retenir la pression avant que l'air comprimé soit libéré du réservoir/récepteur pressurisé.
5. S'il y a toujours de l'air qui en sort une fois la valve de libération fermée, contacter un centre de service MILWAUKEE à des fins de réparation.

ENTRETIEN

AVERTISSEMENT Pour minimiser les risques de blessures corporelles, débranchez le chargeur et retirez la batterie du chargeur ou de l'outil avant d'y effectuer des travaux d'entretien. Ne démontez jamais l'outil, la batterie ou le chargeur. Pour toute réparation, consultez un centre de service MILWAUKEE accrédité.

Toujours éteindre (O) le compresseur d'air, enlever le bloc-piles, libérer toute la pression, débrancher le tuyau à air et les outils pneumatiques, laisser l'unité refroidir au toucher et purger le réservoir avant d'entreprendre de tâches de nettoyage ou dépannage dans le compresseur d'air.

Entretien de l'outil

Gardez l'outil en bon état en adoptant un programme d'entretien ponctuel. Inspectez votre outil pour des questions telles que le bruit excessif, de grippage des pièces mobiles, de pièces cassées ou toute autre condition qui peut affecter le fonctionnement de l'outil. Retournez votre outil à un centre de service MILWAUKEE accrédité pour obtenir le service. Après une période pouvant aller de 6 mois à un an, selon l'usage, retournez votre outil à un centre de service MILWAUKEE accrédité pour d'inspection.

Si l'outil ne démarre pas ou ne fonctionne pas à pleine puissance alors qu'il est branché sur une batterie complètement chargée, nettoyez les points de contact entre la batterie et l'outil. Si l'outil ne fonctionne toujours pas correctement, renvoyez l'outil, le chargeur et la batterie à un centre de service MILWAUKEE accrédité.

AVERTISSEMENT Pour minimiser les risques de blessures ou de dommages à l'outil, n'immergez jamais l'outil, la batterie ou le chargeur et ne laissez pas de liquide s'y infiltrer.

Nettoyage

Débarassez les événements des débris et de la poussière. Gardez les poignées propres, à sec et exemptes d'huile ou de graisse. Le nettoyage doit se faire avec un linge humide et un savon doux. Certains nettoyants tels l'essence, la térébenthine, les diluants à laque ou à peinture, les solvants chlorés, l'ammoniac et les détergents d'usage domestique qui en contiennent pourraient détériorer le plastique et l'isolation des pièces. Ne laissez jamais de solvants inflammables ou combustibles auprès des outils.

Entreposage

Toujours éteindre le compresseur d'air, enlever le bloc-piles, libérer toute la pression, débrancher le tuyau à air et les outils pneumatiques, laisser l'unité refroidir au toucher, et purger le réservoir avant de l'entreposer. Laisser la valve de purge ouverte pour laisser l'humidité s'en sortir complètement, ce qui contribuera à éviter la corrosion à l'intérieur du réservoir.

Réparations

Pour les réparations, retournez outil, batterie et chargeur en entier au centre-service autorisé le plus près.

ACCESOIRES

AVERTISSEMENT L'utilisation d'autres accessoires que ceux qui sont spécifiquement recommandés pour cet outil peut comporter des risques.

Pour une liste complète des accessoires, visiter le site internet www.milwaukeetool.com ou contactez un distributeur.

SERVICE - CANADA

Milwaukee Tool (Canada) Ltd

1.800.268.4015

Monday-Friday, 7:00 AM - 4:30 PM CST

www.milwaukeetool.ca

GARANTIE LIMITÉE - AUX ÉTATS-UNIS ET AU CANADA

Chaque outil motorisé MILWAUKEE* (voire les exceptions ci-dessous) est garanti à l'acheteur d'origine d'être exempt de tous défauts de matériel et de main-d'œuvre. Sous réserve de certaines exceptions, MILWAUKEE réparera ou remplacera toute pièce d'un outil électrique qui, après examen par MILWAUKEE, est affectée d'un vice de matériel ou de main-d'œuvre pendant une période de cinq (5) ans** après la date d'achat, sauf indication contraire. Retourner l'outil électrique à un centre de réparations en usine MILWAUKEE ou à un poste d'entretien agréé MILWAUKEE, en port prépayé et assuré. Une copie de la preuve d'achat doit être présentée lors du retour du produit. Cette garantie ne couvre pas les dommages que MILWAUKEE détermine d'être causés par des réparations ou des tentatives de réparation par quiconque autre que le personnel agréé par MILWAUKEE, des utilisations incorrectes, des altérations, des utilisations abusives, une usure normale, une carence d'entretien ou les accidents.

Usure normale : Par rapport à plusieurs outils motorisés, il faut remplacer et entretenir leurs pièces afin d'achever leur rendement optimal. Cette garantie ne couvre pas les cas de réparation lorsque la vie utile normale de la pièce s'est terminée, incluant, sans s'y limiter, les mandrins, les balais, les câbles, les patins de scie, les brides de lame, les joints toriques, les embouts, les bituirs, les lames d'entraînement, les pistons, les perceurs, les poussoirs et les rondelles de protection de bitoir.

*Cette garantie ne s'applique pas aux cloueurs-agrafeurs pneumatiques, aux pulvérisateurs à peinture sans air, aux blocs-piles pour outils sans fil, aux génératrices d'alimentation portatives à essence, aux outils à main, aux monte-charge électriques, au levier et à chaîne (manuel), aux vêtements chauffantes M12MC, aux produits réinés, ni aux produits d'essai et de mesure. Il existe des garanties distinctes et indépendantes pour ces produits.

**La période de garantie couvrant les radios de chantier, le port d'alimentation M12™, la source d'alimentation M18™, le ventilateur de chantier et les chariots de chantier industriels Trade Titan™ est d'une durée d'un (1) an à partir de la date d'achat. La période de la garantie couvrant les câbles de nettoyage de drains et le pistolet pneumatique de nettoyage de drains AIRSNAKE™ est d'une durée de deux (2) ans à partir de la date d'achat. La période de la garantie couvrant le pistolet thermique compact M18™, l'extracteur de poussière de 30,28 l (8 gal.), les cloueurs de charpenterie M18™, la clé à chocs à couple contrôlé par enclume extérieure de 13 mm (1/2") M18 FUEL™, la clé à chocs à couple élevé de 25,40 mm (1") M18 FUEL™ et le compresseur silencieux compact de 7,57 l (2 gal) M18 FUEL™ est d'une durée de trois (3) ans à partir de la date d'achat. La période de la garantie couvrant la lumière à DEL d'une lampe de travail à DEL et une ampoule transformée à DEL d'une lampe de travail est d'une durée égale à la vie utile du produit en raison des limites au-dessus. Si la lumière à DEL ou l'ampoule à DEL tombe en panne durant l'usage normale, la pièce devra être remplacée gratuitement. L'inscription de la garantie n'est pas nécessaire pour bénéficier de la garantie en vigueur d'un outil motorisé MILWAUKEE. La date de fabrication du produit servira à établir la période de garantie si aucune preuve d'achat n'est fournie lorsqu'une demande de service sous garantie est faite.

L'ACCEPTATION DES RECOURS EXCLUSIFS DE RÉPARATION ET DE REMPLACEMENT DÉCRITS PAR LA PRÉSENTE EST UNE CONDITION DU CONTRAT D'ACHAT DE TOUT PRODUIT MILWAUKEE. SI VOUS N'ACCEPTEZ PAS CETTE CONDITION, VOUS NE DEVEZ PAS ACHETER LE PRODUIT. EN AUCUN CAS MILWAUKEE NE SAURAIT ÊTRE RESPONSABLE DE TOUT DOMMAGE ACCESSOIRE, SPÉCIAL OU INDIRECT, DE DOMMAGES-INTÉRÊTS PUNITIFS OU DE TOUTE DÉPENSE, D'HONORAIRES D'AVOCATS, DE FRAIS, DE PERTE OU DE DÉLAIS ACCESSOIRES À TOUT DOMMAGE, DÉFAILLANCE OU DÉFAUT DE TOUT PRODUIT, Y COMPRIS NOTAMMENT LES PERTES DE

PROFIT. CERTAINS ÉTATS ET PROVINCES NE PERMETTANT L'EXCLUSION OU LA LIMITATION DES DOMMAGES DIRECTS OU INDIRECTS, LES RESTRICTIONS CI-DESSOUS PEUVENT NE PAS ÊTRE APPLICABLES. CETTE GARANTIE EST EXCLUSIVE ET REMPLACE TOUTE AUTRE GARANTIE EXPRESSE, QU'ELLE SOIT VERBALE OU ÉCRITE. DANS LA MESURE PERMISE PAR LA LOI, MILWAUKEE RENONCE À TOUTE GARANTIE IMPLICITE, Y COMPRIS, SANS S'Y LIMITER, TOUTE GARANTIE IMPLICITE DE QUALITÉ MARCHANDE OU D'ADAPTATION À UNE UTILISATION OU À UNE FIN PARTICULIÈRE. DANS LA MESURE OÙ UNE TELLE STIPULATION D'EXONÉRATION N'EST PAS PERMISE PAR LA LOI, LA DURÉE DE CES GARANTIES IMPLICITES EST LIMITÉE À LA PÉRIODE APPLICABLE DE LA GARANTIE EXPRESSE, TEL QUE CELA EST DÉCRIT PRÉCÉDEMMENT. CERTAINS ÉTATS ET PROVINCES NE PERMETTANT PAS DE LIMITATION DE DURÉE DES GARANTIES IMPLICITES, LES RESTRICTIONS CI-DESSUS PEUVENT NE PAS ÊTRE APPLICABLES. LA PRÉSENTE CONFÈRE À L'UTILISATEUR DES DROITS LÉGAUX PARTICULIERS ; IL BÉNÉFICIE ÉGALEMENT D'AUTRES DROITS QUI VARIENT D'UN ÉTAT OU PROVINCE À L'AUTRE.

Cette garantie s'applique aux produits vendus aux États-Unis et au Canada uniquement.

Veillez consulter l'ongle « Trouver un centre Service », dans la section « Pièces et service » du site web de MILWAUKEE, à l'adresse www.milwaukeeool.fr, ou composer le 1-800-SAWDUST (1-800-729-3878) afin de trouver le centre de service de votre région le plus proche pour l'entretien, sous garantie ou non, de votre outil électrique Milwaukee.

GARANTIE LIMITÉE – MEXIQUE, AMÉRIQUE CENTRALE ET CARAÏBES

TECHTRONIC INDUSTRIES® garantit le produit pendant 3 ans à partir de la date d'achat d'origine.

Le présent bon de garantie couvre tous les vices de matériau et de fabrication que peut afficher ce produit.

Pour assurer la validité de la présente garantie, veuillez présenter ce bon de garantie, estampillé du sceau du distributeur ou du magasin où le produit a été acheté, au centre de réparations agréé. Si le bon de garantie n'a pas été estampillé, veuillez fournir la preuve d'achat d'origine au centre de réparations agréé.

Pour un entretien des pièces, des accessoires ou des composants, composer 55 4160-3547 afin d'obtenir les coordonnées du centre de réparations agréé le plus près.

Procédure pour assurer la validité de la garantie

Présenter le produit au centre de réparations agréé, accompagné du bon de garantie estampillé du sceau du distributeur ou du magasin où le produit a été acheté. Toute pièce défectueuse ou tout composant défectueux sera remplacé(e) sans frais. Milwaukee assume tous les frais de transport liés à ce processus de garantie.

Exceptions

Cette garantie ne s'applique pas dans les situations suivantes :

- Si le produit a été utilisé pour une fin autre que celle indiquée dans le guide de l'utilisateur final ou le manuel d'instructions.
- Si les conditions d'utilisations ne sont pas habituelles.
- Si le produit a été modifié ou réparé par une personne non autorisée par TECHTRONIC INDUSTRIES.

Remarque : Si le cordon électrique est endommagé, il doit être remplacé par un centre de réparations agréé pour éviter les risques d'électrocution.

CENTRE DE RÉPARATIONS ET DE SERVICE

Composer le 55 4160-3547

IMPORTÉ ET COMMERCIALISÉ PAR

TECHTRONIC INDUSTRIES, MEXIQUE, S.A. DE C.V. .
Miguel de Cervantes Saavedra No.301 Piso 5, Torre Norte
11520 Colonia Ampliación Granada
Miguel Hidalgo, Ciudad de Mexico, Mexico

Modèle : _____

Date d'achat : _____

Sceau du distributeur ou du magasin : _____

ADVERTENCIAS DE SEGURIDAD GENERALES PARA LA HERRAMIENTA ELÉCTRICA

⚠️ ADVERTENCIA Lea todas las advertencias de seguridad, instrucciones, ilustraciones y especificaciones con esta herramienta eléctrica. Si no sigue todas las advertencias e instrucciones, se pueden provocar una descarga eléctrica, un incendio o lesiones graves. **Guarde todas las advertencias e instrucciones para consultarlas en el futuro.** El término "herramienta eléctrica" en todas las advertencias incluidas más abajo se refiere a su herramienta operada por conexión (cable) a la red eléctrica o por medio de una batería (inalámbrica).

SEGURIDAD EN EL ÁREA DE TRABAJO

- **Mantenga el área de trabajo limpia y bien iluminada.** Las áreas desordenadas u oscuras son propicias para los accidentes.
- **No utilice herramientas eléctricas en atmósferas explosivas, tales como en presencia de líquidos, gases o polvos inflamables.** Las herramientas eléctricas generan chispas que pueden encender el polvo o los vapores.
- **Mantenga a los niños y a los espectadores alejados mientras utiliza una herramienta eléctrica.** Las distracciones pueden ocasionar la pérdida de control.

SEGURIDAD ELÉCTRICA

- **Los enchufes de la herramienta eléctrica deben coincidir con el tomacorriente. Nunca modifique el enchufe de ninguna manera. No utilice adaptadores de enchufe con herramientas eléctricas aterrizadas.** Los enchufes y tomacorrientes corresponsables sin modificar reducirán el riesgo de descarga eléctrica.
- **Evite el contacto corporal con superficies aterrizadas, tales como tuberías, radiadores, estufas y refrigeradores.** Existe un riesgo mayor de descarga eléctrica si su cuerpo está aterrizado.
- **No exponga las herramientas eléctricas a la lluvia ni a condiciones húmedas.** Si se introduce agua en una herramienta eléctrica, aumentará el riesgo de descarga eléctrica.
- **No maltrate el cable. Nunca utilice el cable para cargar, jalar o desconectar la herramienta eléctrica.** Mantenga el cable alejado del calor, el aceite, los bordes afilados o las partes en movimiento. Los cables dañados o enredados aumentan el riesgo de descarga eléctrica.
- **Al utilizar una herramienta eléctrica en exteriores, utilice una extensión adecuada para uso en exteriores.** El uso de una extensión adecuada para el uso en exteriores disminuye el riesgo de descarga eléctrica.
- **Si es inevitable utilizar una herramienta eléctrica en un lugar húmedo, utilice un alimentador de corriente protegido con un interruptor de circuito por falla de conexión a tierra (GFCI).** El uso de un GFCI reduce el riesgo de descarga eléctrica.

SEGURIDAD PERSONAL

- **Manténgase alerta, atento a lo que está haciendo y utilice el sentido común al utilizar una herramienta eléctrica. No utilice una herramienta eléctrica mientras está cansado o bajo la influencia de**

drogas, alcohol o medicamentos. Un momento de distracción al utilizar herramientas eléctricas puede ocasionar lesiones personales graves.

- **Utilice equipo de protección personal. Siempre use protección para los ojos.** El equipo de protección, tal como una máscara contra polvo, calzado antideslizante, casco o protección auditiva, utilizado para condiciones adecuadas disminuirá las lesiones personales.
- **Evite el arranque accidental. Asegúrese de que el interruptor esté en la posición de apagado antes de conectarlo a una fuente de poder y/o batería, levantar o trasladar la herramienta.** Trasladar herramientas con el dedo en el interruptor o energizar herramientas eléctricas que tienen el interruptor encendido propicia accidentes.
- **Retire cualquier llave de ajuste antes de entender la herramienta.** Una llave que se deje insertada en una parte giratoria de la herramienta eléctrica puede ocasionar lesiones personales.
- **No estire el cuerpo demasiado. Mantenga un buen contacto entre los pies y el suelo y mantenga el equilibrio en todo momento.** Esto permite un mejor control de la herramienta eléctrica en situaciones inesperadas.
- **Vístase adecuadamente. No utilice ropa o joyería holgada. Mantenga el cabello y la ropa alejados de las partes móviles.** La ropa holgada, las alhajas o el cabello largo pueden quedarse atrapados en las partes móviles.
- **Si se proporcionan dispositivos para la conexión de instalaciones de extracción y recolección de polvo, cerciórese de que estén conectados y se utilicen correctamente.** El uso de dispositivos recolectores de polvo puede disminuir los riesgos relacionados con el polvo.
- **No permita que la familiaridad por el uso frecuente de las herramientas lo hagan sentirse seguro e ignorar los principios de seguridad de las herramientas.** Un descuido puede provocar lesiones graves en una fracción de segundo.

USO Y CUIDADO DE LAS HERRAMIENTAS ELÉCTRICAS

- **No fuerce la herramienta eléctrica. Utilice la herramienta eléctrica correcta para su aplicación.** La herramienta eléctrica correcta realizará el trabajo mejor y con mayor seguridad a la velocidad para la que fue diseñada.
- **No utilice la herramienta eléctrica si el interruptor no la enciende y la apaga.** Cualquier herramienta eléctrica que no pueda controlarse con el interruptor es peligrosa y debe repararse.
- **Desconecte el enchufe de la fuente de energía y/o quite la batería de la herramienta eléctrica, si es posible, antes de realizar cualquier ajuste, cambiar accesorios o almacenar las herramientas eléctricas.** Tales medidas preventivas de seguridad disminuyen el riesgo de que la herramienta eléctrica se encienda accidentalmente.
- **Almacene las herramientas eléctricas que no se estén utilizando fuera del alcance de los niños y no permita que personas que no estén familiarizadas con la herramienta eléctrica o con estas instrucciones la utilicen.** Las herramientas eléctricas son peligrosas en manos de usuarios sin capacitación.
- **Dé mantenimiento a las herramientas eléctricas y accesorios. Verifique que no haya desalin-**

ación, amarre de partes móviles, partes rotas o alguna otra condición que pueda afectar el funcionamiento de la herramienta eléctrica. Si se daña, asegúrese de que la herramienta eléctrica sea reparada antes de que se utilice. Muchos accidentes son ocasionados por herramientas eléctricas con mantenimiento deficiente.

- **Mantenga las herramientas de corte afiladas y limpias.** Las herramientas de corte correctamente mantenidas con bordes de corte afilados son menos propensas a atorarse y son más fáciles de controlar.
- **Utilice la herramienta eléctrica, los accesorios y las puntas, etc. de acuerdo con estas instrucciones, tomando en cuenta las condiciones de trabajo y el trabajo a realizar.** El uso de la herramienta eléctrica para operaciones diferentes a las previstas podría generar una situación peligrosa.
- **Mantenga las empuñaduras y ñas superficies de sujeción secas, limpias y libres de aceite y grasa.** Las empuñaduras y superficies de sujeción resbalosas no permiten el manejo y control seguros de la herramienta en situaciones inesperadas.

USO Y CUIDADO DE LAS HERRAMIENTAS CON BATERÍA

- **Recargue únicamente con el cargador especificado por el fabricante.** Un cargador que es adecuado para un tipo de batería puede crear un riesgo de incendio si se utiliza con otra batería.
- **Utilice las herramientas eléctricas únicamente con baterías específicamente diseñadas.** El uso de cualquier otra batería puede producir un riesgo de lesiones e incendio.
- **Cuando la batería no esté en uso, manténgala alejada de otros objetos metálicos como sujetapapeles, monedas, llaves, clavos, tornillos u otros objetos metálicos pequeños que puedan formar una conexión de una terminal a otra.** Crear un corto entre las terminales de la batería puede ocasionar quemaduras o un incendio.
- **Bajo condiciones de maltrato, el líquido puede ser expulsado de la batería, evite el contacto. En caso de contacto accidental, lave con agua. Si el líquido entra en contacto con los ojos, busque además ayuda médica.** El líquido expulsado de la batería puede causar irritación o quemaduras.
- **No use una batería o herramienta que se haya dañado o modificado.** Las baterías dañadas o modificadas pueden mostrar un comportamiento impredecible, causando incendios, explosión o riesgo de lesión.
- **No exponga una batería o herramienta al fuego o a temperatura excesiva.** La exposición a fuego o temperatura a más de 130° C (265° F) puede causar explosiones.
- **Siga todas las instrucciones de carga y no cargue la batería o la herramienta fuera del rango de temperatura especificado en las instrucciones.** La carga incorrecta o a temperaturas fuera del rango especificado puede dañar la batería y aumentar el riesgo de incendio.

MANTENIMIENTO

- **Lleve su herramienta eléctrica a servicio con un técnico calificado que use únicamente piezas de reemplazo idénticas.** Esto asegurará que la seguridad de la herramienta eléctrica se mantenga.
- **Nunca dé servicio a baterías dañadas.** Únicamente el fabricante o proveedores de servicio autorizados deben dar servicio a las baterías.

REGLAS DE SEGURIDAD ESPECÍFICAS PARA EL COMPRESOR DE AIRE

⚠️ ADVERTENCIA Riesgo de lesiones. No dirija el flujo de aire al cuerpo.

⚠️ ADVERTENCIA Riesgo de incendio o explosión. No rocíe líquidos inflamables en un área confinada. El área de rocío debe estar bien ventilada. No fume mientras rocía ni rocíe cuando haya una chispa o flama presente. Mantenga los compresores lo más alejados posible del área de rocío.

⚠️ ADVERTENCIA Utilice una manguera de al menos 7,6 m (25') cuando conecte la pistola de rocío al compresor.

⚠️ PRECAUCIÓN No se exponga a la lluvia. Almacénese en interiores.

⚠️ PRECAUCIÓN Riesgo de estallamiento. No ajuste el regulador para que provoque una presión de salida mayor a la presión máxima marcada del aditamento. No utilice a una presión mayor de 135 psi.

• Conozca su compresor de aire. Lea con atención el manual del operador. Aprenda sus aplicaciones y limitaciones, además de los posibles riesgos específicos relacionados con este producto. No altere ni modifique la unidad del diseño o la función original. El uso indebido y manejo inadecuado pueden provocar lesiones.

• Siempre siga todas las reglas de seguridad recomendadas por el fabricante de herramientas de aire y aditamentos.

• Nunca dirija un chorro de aire comprimido hacia usted, los demás o animales. El polvo y los desechos causan lesiones en los ojos y pulmones.

• No utilice aire comprimido como asistente respiratorio.

• Siempre utilice protección para ojos adecuada, marcada con la norma ANSI Z87.1.

• No exceda la clasificación de presión de ningún componente en el sistema.

• Cuando se utiliza para inflar, no infle de más. Siga las instrucciones del fabricante del artículo que se está inflando.

• Revise que la manguera de aire y los acopladores no estén desgastados ni dañados antes de cada uso. Asegúrese de que las conexiones estén firmes. No utilice si tiene fugas de aire. Mantenga la manguera alejada de objetos filosos, derrames químicos, aceite, solventes y pisos mojados. No jale ni cargue el compresor de aire por la manguera. Reemplace o repare todas las partes dañadas antes de usar.

• Asegúrese de que la manguera no esté obstruida o enganchada. Las mangueras enredadas o enganchadas pueden provocar una pérdida de equilibrio o de una posición segura, y puede dañarse.

• Nunca intente bloquear ni conectar la salida de aire durante la operación.

• Nunca descuide el compresor de aire con la manguera fija.

• Antes de hacer ajustes, dar servicio, transportar o almacenar: siempre apague en "OFF" el compresor de aire, retire la batería, libere toda la presión, desconecte la manguera y las herramientas de aire, permita que la unidad se enfríe al tacto y drene el tanque.

• Nunca ajuste, dé servicio, transporte ni almacene una herramienta de aire con aire conectado. Puede ocurrir un arranque accidental y posibles lesiones personales graves.

• Las herramientas accionadas con aire pueden requerir más consumo de lo que este compresor de aire puede proveer. Revise el manual de la herramienta para evitar daños a la herramienta o riesgo de lesiones personales.

⚠️ ADVERTENCIA Para reducir el riesgo de lesiones, al momento de realizar trabajos en situaciones donde haya presencia de polvo, utilice la protección respiratoria adecuada o utilice una solución de extracción de polvo que cumpla con los requisitos de la OSHA.

• No utilice este compresor de aire para rocíar químicos o pintura. Los vapores tóxicos pueden dañar los pulmones.

• Evite utilizar un ambiente con polvo o contaminado de otro modo. Utilizar el compresor de aire en este tipo de ambiente puede causar daño a la unidad.

⚠️ ADVERTENCIA Los tanques de aire están bajo alta presión. Mantenga el rostro y otras partes del cuerpo alejadas de la salida cuando libere presión o drene el tanque.

• Siga los procedimientos apropiados para liberar la presión y drenar el tanque. Libere todas las presiones del sistema lentamente.

• Drene la humedad de los tanques después del uso de cada día. Al almacenar, deje abierta la válvula de drenaje para permitir que la humedad se drene por completo y ayude a evitar que se corroa el interior del tanque.

• Revise cada año que el tanque no esté oxidado, tenga perforaciones ni otras imperfecciones que pudiera provocar que fuera inseguro. Nunca suelde ni perfore el tanque de aire.

• Válgase siempre de su sentido común y sea cuidadoso cuando utilice herramientas. No es posible anticipar todas las situaciones que podrían tener un desenlace peligroso. No utilice esta herramienta si no entiende estas instrucciones de uso o si considera que el trabajo a realizar supera sus capacidades, comuníquese con Milwaukee Tool o con un profesional capacitado para recibir capacitación o información adicional.

• Conserve las etiquetas y las placas nominales. Contienen información importante. Si son ilegibles o no están presentes, comuníquese con un centro de servicio MILWAUKEE para obtener un reemplazo gratuito.

⚠️ ADVERTENCIA Algunos polvos generados por el lijado eléctrico, aserrado, pulido, taladrado y otras actividades de construcción contienen químicos identificados como causantes de cáncer, defectos congénitos u otros daños reproductivos. Algunos ejemplos de estos químicos son:

• plomo de pintura basada en plomo

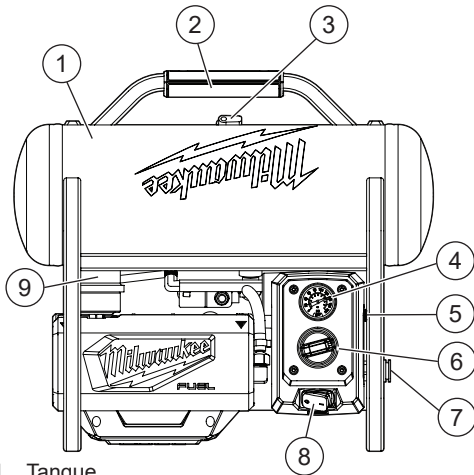
• dióxido de silicio de los ladrillos y el cemento y otros productos de albañilería y

• arsénico y cromo de madera con tratamiento químico. Su riesgo por estas exposiciones varía, dependiendo de la frecuencia con que realice este tipo de trabajo. Para reducir su exposición a estos químicos: trabaje en un área bien ventilada y trabaje con equipo de seguridad aprobado, como mascarillas protectoras contra polvo especialmente diseñadas para filtrar partículas microscópicas.

SIMBOLOGÍA

-  Volts
-  Corriente continua
-  Lire le manuel d'utilisation
-  Siempre utilice protección para los ojos.
-  Superficie caliente: no tocar, a fin de reducir el riesgo de quemaduras
-  Riesgo de estallamiento
-  No exponer a la lluvia
-  Riesgo de incendio o explosión
-  Presión del tanque
-  Presión de salida
-  UL Listing Mark para Canadá y Estados Unidos

DESCRIPCION FUNCIONAL



1. Tanque
2. Asa de transporte
3. Válvula de drenaje
4. Manómetro del tanque
5. Válvula de liberación
6. Perilla reguladora
7. Acoplador de conexión rápida
8. Interruptor de encendido/apagado automático
9. Filtro de entrada

ESPECIFICACIONES

Cat. No.....	2840-20
Volts.....	18 CD
Tipo de batería	M18™
Tipo de cargador	M18™
Temperatura ambiente recomendada	
para operar.....	-18°C a 50°C (0°F a 125°F)
Capacidad del tanque de aire 7,6 litros (2 galones)	
Presión de aire	135 psi max.
Impulso de aire	40 psi @ 1,7 SCFM
	90 psi @ 1,2 SCFM
Nivel de ruido	68 dBA
Tipo de conexión rápida	6 mm (1/4")

ENSAMBLAJE

⚠ ADVERTENCIA Recargue la batería sólo con el cargador especificado para ella. Para instrucciones específicas sobre cómo cargar, lea el manual del operador suministrado con su cargador y la batería.

Como se inserta/quita la batería en la herramienta

Para retirar la batería, presione los botones de liberación y jale de la batería para sacarla de la herramienta.

⚠ ADVERTENCIA Para reducir el riesgo de lesiones, extraiga siempre la batería antes de acoplar o desacoplar accesorios. Para introducir la batería, deslícela en el cuerpo de la herramienta. Asegúrese de que quede bien firme en su posición.

⚠ ADVERTENCIA Utilice únicamente accesorios específicamente recomendados para esta herramienta. El uso de accesorios no recomendados podría resultar peligroso.

Instalación del filtro de entrada

⚠ ADVERTENCIA El filtro de entrada debe instalarse para tener un desempeño óptimo.

1. Apague el compresor de aire y retire la batería.
2. Retire el tubo silenciador de plástico transparente de la tapa de filtro de entrada.
3. Destornille la tapa del filtro de entrada.
4. Inserte el filtro de entrada hasta que esté totalmente colocado.
5. Vuelva a instalar la tapa del filtro de entrada y el tubo silenciador.

Liberación de la presión del tanque

⚠ ADVERTENCIA Los tanques de aire están bajo alta presión. Mantenga el rostro y otras partes del cuerpo alejadas de la salida cuando libere presión. Siempre utilice protección para ojos adecuada, marcada con la norma ANSI Z87.1.

1. Apague el compresor de aire y retire la batería.
2. Jale el anillo en la válvula de liberación para liberar el aire hasta que el manómetro del tanque indique menos de 20 psi.
3. Libere el anillo.

Conectar una manguera de aire (la manguera no está incluida)

ADVERTENCIA Nunca exceda la clasificación de la presión de la manguera o herramienta de aire que recomienda el fabricante. Al utilizar este compresor de aire como dispositivo de inflación, siempre siga los lineamientos de inflado máximo que establece el fabricante del artículo que se va a inflar.

1. Apague el compresor de aire y retire la batería.
2. Gire completamente la perilla reguladora de presión hacia la izquierda para que la presión de salida esté en cero (0) psi. **ADVERTENCIA!** El hecho de que el compresor de aire no opere no quiere decir que el tanque no tenga presión.
3. Fije una manguera de aire con clasificación adecuada con un accesorio de conexión rápida a un acoplador rápido de 6 mm (1/4") en el compresor de aire. Empuje el adaptador de la manguera en el acoplador hasta que la manga rebote hacia adelante para fijarse en su lugar.

Desconexión de una manguera o herramienta de aire

ADVERTENCIA Siempre apague en "OFF" (O) el compresor de aire y asegúrese de que el manómetro regulador marque cero antes de cambiar las herramientas de aire o desconectar la manguera de la salida de aire. El no hacerlo puede provocar posibles lesiones personales graves.

1. Apague el compresor de aire y retire la batería. Confirme que la presión de salida es cero (0) psi. **ADVERTENCIA!** El hecho de que el compresor de aire no opere no quiere decir que el tanque no tenga presión.
2. Para retirar la manguera de aire del compresor de aire, sostenga con firmeza el extremo de liberación de la manguera y jale hacia atrás en la manga de liberación en el acoplador rápido de 6 mm (1/4") en el compresor de aire. Tire el accesorio de la manguera en dirección contraria al acoplador.
3. Para retirar una herramienta de aire de la manguera de aire, siga las instrucciones del fabricante.

APLICACIONES

Los compresores de aire se utilizan en una variedad de aplicaciones de sistema de aire. Iguale las mangueras, los conectores, las herramientas de aire y los accesorios a las capacidades del compresor de aire.

Puede utilizar este producto para los fines enumerados a continuación:

- Operar herramientas operadas con aire de uso ligero a medio.
- Operar accesorios de aire, como boquillas de aire y reguladores de aire para inflar llantas automotrices.

OPERACION

ADVERTENCIA Con el fin de minimizar el riesgo de lesiones, siempre utilice la protección de ojos adecuada indicada para cumplir con lo dispuesto en la norma ANSI Z87.1. Al momento de realizar trabajos en situaciones donde haya presencia de polvo, utilice la protección respiratoria adecuada o utilice una solución de extracción de polvo que cumpla con los requisitos de la OSHA.

Encender el compresor de aire en On/Off

1. Conecte la manguera y los accesorios al compresor de aire.
2. Instale la batería.
3. Para encender el compresor, mueva el interruptor automático On/Off a la posición "AUTO ON" (I). Cuando esté en la posición de "AUTO ON" (I), el compresor de aire se encenderá automáticamente cuando la presión de aire del tanque disminuya por debajo del límite de presión preestablecida. Se apagará de nuevo cuando se alcance la presión de corte.
4. Para apagar el compresor, mueva el interruptor automático On/Off a la posición "OFF" (O). Libere la presión del tanque antes de hacer ajustes, dar servicio, transportar o almacenar.

Utilizar el compresor de aire

ADVERTENCIA Riesgo de estallamiento. No ajuste el regulador para que provoque una presión de salida mayor a la presión máxima marcada del aditamento. No utilice a una presión mayor de 135 psi.

Las herramientas accionadas con aire pueden requerir más consumo de lo que este compresor de aire puede proveer. Revise el manual de la herramienta para evitar daños a la herramienta o riesgo de lesiones personales.

1. Revise la válvula de liberación diariamente (consulte "Revisar la válvula de liberación").
2. Apague el compresor de aire y retire la batería.
3. Sujete una manguera de aire con clasificación adecuada al compresor de aire (consulte "Conectar una manguera de aire").
4. Utilice los accesorios correctos para conectar la herramienta de aire o el accesorio a la manguera.
5. Instale la batería.
6. Mueva el interruptor automático On/Off a la posición "AUTO ON" (I).
7. Establezca la presión de aire con la perilla reguladora. Gire la perilla hacia la derecha para aumentar la presión de aire, o hacia la izquierda para disminuirla.
8. Utilice la herramienta o accesorio de aire, siguiendo todas las precauciones de seguridad en este manual y en las instrucciones del fabricante en el manual de la herramienta de aire.

NOTA: El compresor de aire se apagará durante una sobrecarga eléctrica. Para reestablecer el interruptor de sobrecarga interna, apague el compresor de aire y permita que se enfríe la unidad. Retire y luego vuelva a instalar la batería antes de continuar con la operación.

9. Al terminar, mueva el interruptor a la posición de "OFF" (O), retire la batería, libere toda la presión, desconecte la manguera y las herramientas de aire, permita que la unidad se enfríe al tacto y drene el tanque. Nunca deje desatendida la unidad encendida u operando.

Drenar el tanque

⚠️ ADVERTENCIA Los tanques de aire están bajo alta presión. Mantenga el rostro y otras partes del cuerpo alejadas de la salida cuando libere presión. Siempre utilice protección para ojos adecuada, marcada con la norma ANSI Z87.1

Para ayudar a evitar que el tanque se corroa y para mantener la humedad fuera del aire que se usa, el tanque de aire del compresor debe drenarse diariamente.

Para drenar:

1. Apague el compresor de aire y retire la batería.
2. Jale el anillo en la válvula de liberación para liberar el aire hasta que el manómetro del tanque indique menos de 20 psi.
3. Libere el anillo.
4. Gire la válvula de drenaje 90° hacia la izquierda en la posición de "ON" (abierta).
5. Inclíne el tanque para drenar la humedad del tanque a un contenedor adecuado. **NOTA:** El condensado es un material contaminante y debe desecharse de conformidad con las normas locales.
6. Si una válvula de drenaje está tapada, libere toda la presión de aire, retire y limpie la válvula. Luego, vuelva a instalarla.
7. Al almacenar, deje abierta la válvula de drenaje para permitir que la humedad se drene por completo y ayude a evitar que se corroa el interior del tanque.
8. Gire la válvula de drenaje 90° hacia la derecha en la posición de "OFF" (cerrada).

Revisar la válvula de liberación

⚠️ PELIGRO No manipule la válvula de liberación. La válvula de liberación liberará el aire automáticamente si la presión del tanque excede la presión de corte. La válvula de liberación debe funcionar correctamente al operar el compresor de aire. Si la válvula de liberación se atora mientras está abierta o no se abre cuando se jala el anillo, contacte a una instalación de servicio MILWAUKEE para su reparación.

La válvula de liberación debe revisarse antes de cada día de uso, jalando manualmente el anillo.

1. Instale la batería.
2. Encienda el compresor de aire en "AUTO ON" (I) y permita que se llene el tanque. El compresor se apagará cuando la presión alcance la presión de corte.
3. Apague el compresor de aire en "OFF" (O).
4. Jale el anillo en la válvula de liberación para liberar la presión de aire durante tres a cinco segundos. Libere el anillo. La válvula de liberación debe reestablecerse y conservar la presión antes de despresurizar todo el aire comprimido del tanque o contenedor de presión.
5. Si el aire sigue escapándose cuando la válvula de liberación está cerrada, contacte a una instalación de servicio MILWAUKEE para su reparación.

MANTENIMIENTO

⚠️ ADVERTENCIA Para reducir el riesgo de una lesión, desconecte siempre la herramienta antes de darle cualquier mantenimiento. Nunca desarme la herramienta ni trate de hacer modificaciones en el sistema eléctrico de la misma. Acuda siempre a un Centro de Servicio MILWAUKEE para TODAS las reparaciones. Siempre apague en "OFF" (O) el compresor de aire, retire la batería, libere toda la presión, desconecte la manguera y las herramientas de aire, permita que la unidad se enfríe al tacto y drene el tanque antes limpiarlo o reparar el compresor de aire.

Mantenimiento de las herramientas

Adopte un programa regular de mantenimiento y mantenga su herramienta en buenas condiciones. Inspeccione la herramienta para problemas como ruidos indebidos, desalineadas o agarradas de partes móviles, piezas rotas o cualquier otra condición que pueda afectar el funcionamiento de la herramienta. Envíe su herramienta al Centro de Servicio MILWAUKEE para reparación. Después de 6 meses a un año, dependiendo del uso dado, envíe su herramienta al Centro de Servicio MILWAUKEE más cercano para la inspección. Si la herramienta no arranca u opera a toda su potencia con una batería completamente cargada, limpie, con una goma o borrador, los contactos de la batería y de la herramienta. Si aun así la herramienta no trabaja correctamente, regrésela, con el cargador y la batería, a un centro de servicio MILWAUKEE.

⚠️ ADVERTENCIA Para reducir el riesgo de lesiones, descarga eléctrica o daño a la herramienta, nunca la sumerja en líquidos ni permita que estos fluyan dentro de la misma.

Limpieza

Limpie el polvo y suciedad de las ventilas. Mantenga los mangos limpios, secos y libres de aceite o grasa. Use solo jabón neutro y un trapo húmedo para limpiar, ya que algunos substancias y solventes limpiadores son dañinos a los plásticos y partes aislantes. Algunos de estos incluyen: gasolina, turpentina, thinner, lacas, thinner para pinturas, solventes para limpieza con cloro, amoníaco y detergentes caseros que tengan amonía. Nunca usa solventes inflamables o combustibles cerca de una herramienta.

Almacenamiento

Siempre apague en "OFF" el compresor de aire, retire la batería, libere toda la presión, desconecte la manguera y las herramientas de aire, permita que la unidad se enfríe al tacto y drene el tanque antes de guardarlo. Deje abierta la válvula de drenaje para permitir que la humedad se drene por completo y ayude a evitar que se corroa el interior del tanque.

Reparaciones

Si su herramienta, batería o cargador están dañados, envíela al centro de servicio autorizado más cercano.

ACCESORIOS

ADVERTENCIA Utilice sólo los accesorios específicamente recomendados. Otros accesorios puede ser peligrosos.

Para una lista completa de accesorios, visite nuestro sitio en Internet: www.milwaukeeetool.com o póngase en contacto con un distribuidor.

SOPORTE DE SERVICIO - MEXICO

CENTRO DE ATENCION A CLIENTES

Techtronic Industries Mexico, S.A. de C.V.

Av. Presidente Masarik 29 Piso 7

11560 Polanco V Seccion

Miguel Hidalgo, Distrito Federal, México

01 (800) 030-7777 o (55) 4160-3540

Lunes a Viernes (9am a 6pm)

O contáctanos en www.milwaukeeetool.com.mx

GARANTÍA LIMITADA - E.U.A. Y CANADÁ

Cada herramienta eléctrica* de MILWAUKEE (ver excepciones a continuación) está garantizada para el comprador original únicamente de que no tenga material y mano de obra defectuosos. Sujeto a ciertas excepciones, MILWAUKEE reparará o reemplazará cualquier parte en una herramienta eléctrica que tenga defectos de material o mano de obra según lo determine MILWAUKEE mediante una revisión, por un periodo de cinco (5) años** después de la fecha de compra a menos que se indique lo contrario. Al devolver la herramienta eléctrica a un Centro de Servicio de la fábrica de MILWAUKEE o a una Estación de Servicio Autorizada de MILWAUKEE, se requiere que el flete esté pagado por adelantado y asegurado. Se debe incluir una copia del comprobante de compra con el producto devuelto. Esta garantía no aplica a daños que MILWAUKEE determine que son ocasionados por reparaciones o intentos de reparaciones realizados por una persona que no sea personal autorizado de MILWAUKEE, uso indebido, alteraciones, maltrato, desgaste normal, falta de mantenimiento o accidentes.

Desgaste normal: Muchas herramientas eléctricas necesitan un reemplazo periódico de partes y servicio para lograr el mejor desempeño. Esta garantía no cubre la reparación cuando el uso normal ha agotado la vida de una parte, incluyendo sin limitar a mandriles, cepillos, cables, zapatas de la sierra, abrazaderas de la hoja, anillos en O, sellos, protectores, hojas de desatorilladores, pistones, herrajes, levantes y arandelas de cubierta de los protectores.

*Esta garantía no cubre clavadoras y grapadoras neumáticas, pistola de pintura a presión, baterías inalámbricas, generadores de energía portátil de gasolina, herramientas de mano, palanca y cadena de mano de polipasto - eléctricas, instrumentaria calefactada M12™, producto reacondicionado y productos de prueba y medición. Existen garantías por separado y distintas disponibles para estos productos.

**El periodo de garantía para los radios para obra, puerto de energía M12™, fuente de poder M18™, ventiladores para obra y carretillas de trabajo industrial Trade Titan™ es de un (1) año a partir de la fecha de compra. El periodo de garantía para los cables de limpieza de drenaje y de los accesorios de la pistola de aire para limpiar drenajes AIRSNAKE™ es de dos (2) años a partir de la fecha de compra. El periodo de garantía de la pistola de calor compacta M18™, el extractor de polvo de 30.28 l (8 galones), las clavadoras M18™, la llave de impacto con extensión de 13 mm (1/2") de torque controlado con vástago con ONE-KEY™, la llave de impacto de torque alto de 25.40 mm (1") M18 FUEL™ con ONE-KEY™ y el compresor silencioso compacto de 7.57 l (2 galones) ONE-KEY™ es de tres (3) años a partir de la fecha de compra. El periodo de garantía de las lámparas de LED en la lámpara de trabajo LED y el bulbo mejorado de LED para la lámpara de trabajo es por la vida del producto sujeto a las limitaciones anteriores. Si durante el uso normal el LED o bulbo de LED falla, la parte será reemplazada sin cargo.

No se requiere el registro de la garantía para obtener la garantía correspondiente a un producto de herramienta eléctrica de MILWAUKEE. La fecha de manufactura del producto se utilizará para determinar el periodo de garantía si no se proporciona comprobante de compra al solicitar el servicio en garantía.

LA ACEPTACIÓN DE LOS REMEDIOS EXCLUSIVOS DE REPARACIÓN Y REEMPLAZO AQUÍ DESCRITOS ES UNA CONDICIÓN DEL CONTRATO PARA LA COMPRA DE TODO PRODUCTO DE MILWAUKEE. SI USTED NO ACEPTA ESTA CONDICIÓN, NO

DEBE COMPRAR EL PRODUCTO. MILWAUKEE NO SERÁ RESPONSABLE EN NINGÚN CASO DE DAÑOS INCIDENTALES, ESPECIALES, EMERGENTES O PUNITIVOS NI DE NINGÚN COSTO, HONORARIOS LEGALES, GASTOS, PÉRDIDAS O DEMORAS ALEGADAS COMO CONSECUENCIA DE ALGUN DAÑO, FALLA O DEFECTO EN NINGÚN PRODUCTO, INCLUYENDO, ENTRE OTROS, RECLAMACIONES POR PÉRDIDA DE UTILIDADES. ALGUNOS ESTADOS NO PERMITEN LA EXCLUSIÓN O LIMITACIÓN DE RESPONSABILIDAD POR DAÑOS INCIDENTALES O EMERGENTES, POR LO QUE LA ANTERIOR LIMITACIÓN O EXCLUSIÓN PODRÍA NO APLICARSE EN SU CASO. ESTA GARANTÍA ES EXCLUSIVA Y REEMPLAZA TODAS LAS DEMÁS GARANTÍAS EXPRESAS, ESCRITAS U ORALES. EN LA MEDIDA EN QUE LO PERMITA LA LEY, MILWAUKEE DESCONOCE CUALQUIER GARANTÍA IMPLÍCITA, INCLUYENDO SIN LIMITACIÓN CUALQUIER GARANTÍA IMPLÍCITA DE COMERCIABILIDAD O IDONEIDAD PARA UN FIN O USO ESPECÍFICO; EN LA MEDIDA EN QUE DICHO DESCONOCIMIENTO NO SEA PERMITIDO POR LA LEY, DICHAS GARANTÍAS IMPLÍCITAS SE LIMITAN A LA DURACIÓN DE LA GARANTÍA EXPRESA CORRESPONDIENTE SEGÚN SE DESCRIBIÓ ANTERIORMENTE. ALGUNOS ESTADOS NO PERMITEN LIMITACIONES SOBRE LA DURACIÓN DE UNA GARANTÍA IMPLÍCITA, POR LO QUE LA ANTERIOR LIMITACIÓN PODRÍA NO APLICARSE A USTED. ESTA GARANTÍA LE DA DERECHOS LEGALES ESPECÍFICOS Y USTED PODRÍA ADEMÁS TENER OTROS DERECHOS QUE VARÍAN DE UN ESTADO A OTRO.

Esta garantía aplica a productos vendidos en los Estados Unidos y en Canadá únicamente.

Consulte la "Búsqueda de centro de servicio" en la sección de Partes y servicio del sitio web de MILWAUKEE en www.milwaukeeetool.com o llame al 1.800.SAWDUST (1.800.729.3878) para localizar su centro de servicio más cercano para darle servicio con y sin garantía a una herramienta eléctrica de Milwaukee.

PÓLIZA DE GARANTÍA - VALIDA SOLO PARA MEXICO, AMÉRICA CENTRAL Y EL CARIBE

La garantía de TECHTRONIC INDUSTRIES es por 3 años a partir de la fecha original de compra.

Esta tarjeta de garantía cubre cualquier defecto de material y mano de obra en ese Producto.

Para hacer válida esta garantía, presente esta tarjeta de garantía, cerrada/sellada por el distribuidor o la tienda donde compró el producto, al Centro de Servicio Autorizado (ASC). O, si esta tarjeta no se ha cerrado/sellado, presente la prueba original de compra a ASC. Llame 55 4160-3547 para encontrar el ASC más cercano, para servicio, partes, accesorios o componentes.

Procedimiento para hacer válida esta garantía

Lleve el producto a ASC, junto con la tarjeta de garantía cerrada/sellada por el distribuidor o la tienda donde compró el producto, y cualquier pieza o componente defectuoso se reemplazará sin costo para usted. Cubriremos todos los costos de flete con relación a este proceso de garantía

Excepciones

Esta garantía no tendrá validez en las siguientes situaciones:

- Cuando el producto se use de manera distinta a la que indica el manual del usuario final o de instrucciones.
- Cuando las condiciones de uso no sean normales.
- Cuando otras personas no autorizadas por TECHTRONIC INDUSTRIES modifiquen o reparen el producto.

Nota: si el juego de cables está dañado, tiene que reemplazarse en un Centro de Servicio Autorizado para evitar riesgos eléctricos.

CENTRO DE SERVICIO Y ATENCIÓN

Llame al 55 4160-3547

IMPORTADO Y COMERCIALIZADO POR

TECHTRONIC INDUSTRIES, MÉXICO, S.A. DE C.V.

Miguel de Cervantes Saavedra No.301 Piso 5, Torre Norte

11520 Colonia Ampliación Granada

Miguel Hidalgo, Ciudad de México, México

Modelo: _____

Fecha de Compra: _____

Sello del Distribuidor: _____

MILWAUKEE TOOL
13135 West Lisbon Road
Brookfield, WI 53005 USA