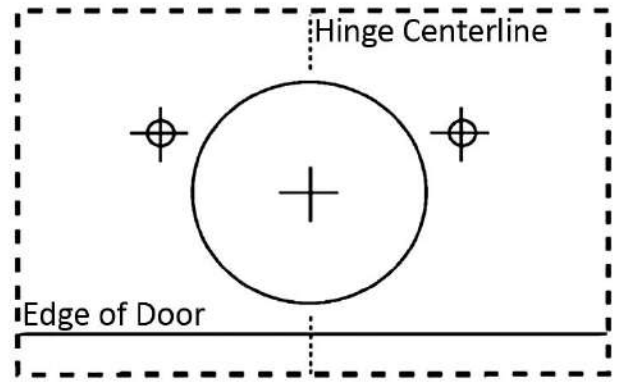
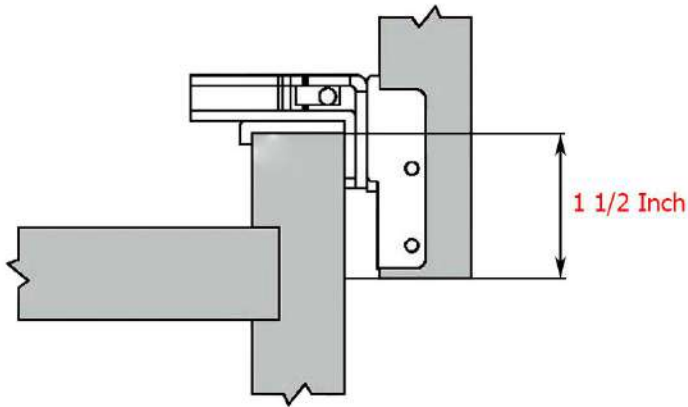
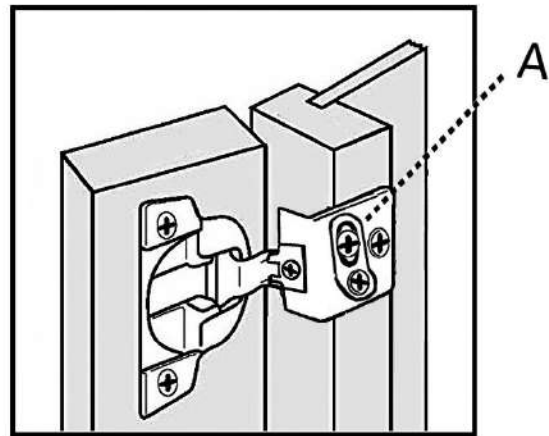
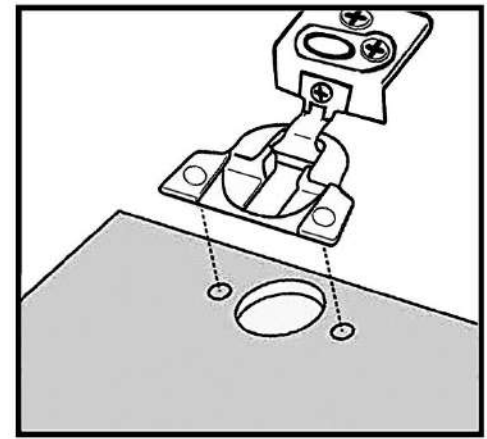


1 1/2" Overlay Face Frame Soft Close Hinge



1. Installing Hinge to Door

- Drill hole 1/2" (12 mm) deep for hinge cup per template using 1-2/5" (35 mm) boring bit. Do not drill through door face.
- Drill 1/16" (1.5 mm) pilot holes for screws per template.
- Insert hinge into door and fasten with two #6 x 5/8" flat head wood screws.



2. Installing Door to Cabinet

- Open hinge to full extension.
- Connect door to cabinet face frame as shown by fasten screws A.

3. Hinge Adjustment

- Height adjustment by screw A. (-/+ 2 mm).
- Side adjustment by screw B. (-/+ 2 mm).
- Depth adjustment by screw C. (-/+ 2mm)

