



FRIGIDAIRE

Factory Parts Catalog

Product No.	FGCD2444SA0A	FGCD2444SB0A	FGCD2444SF0A	FGCD2444SW0A
Series	Built-in 24"	Built-in 24"	Built-in 24"	Built-in 24"
Color	stainless	black	stnlss/black	white
Owner's Guide English	A05272501	A05272501	A05272501	A05272501
Owner's Guide Spanish	A05272503	A05272503	A05272503	A05272503
Owner's Guide French	A05272502	A05272502	A05272502	A05272502
Service Data Sheet	A05272301	A05272301	A05272301	A05272301
Energy Guide	808612219	808612219	808612219	808612219
Installation Instructions	154427301	154427301	154427301	154427301
Market	North America	North America	North America	North America

Frigidaire

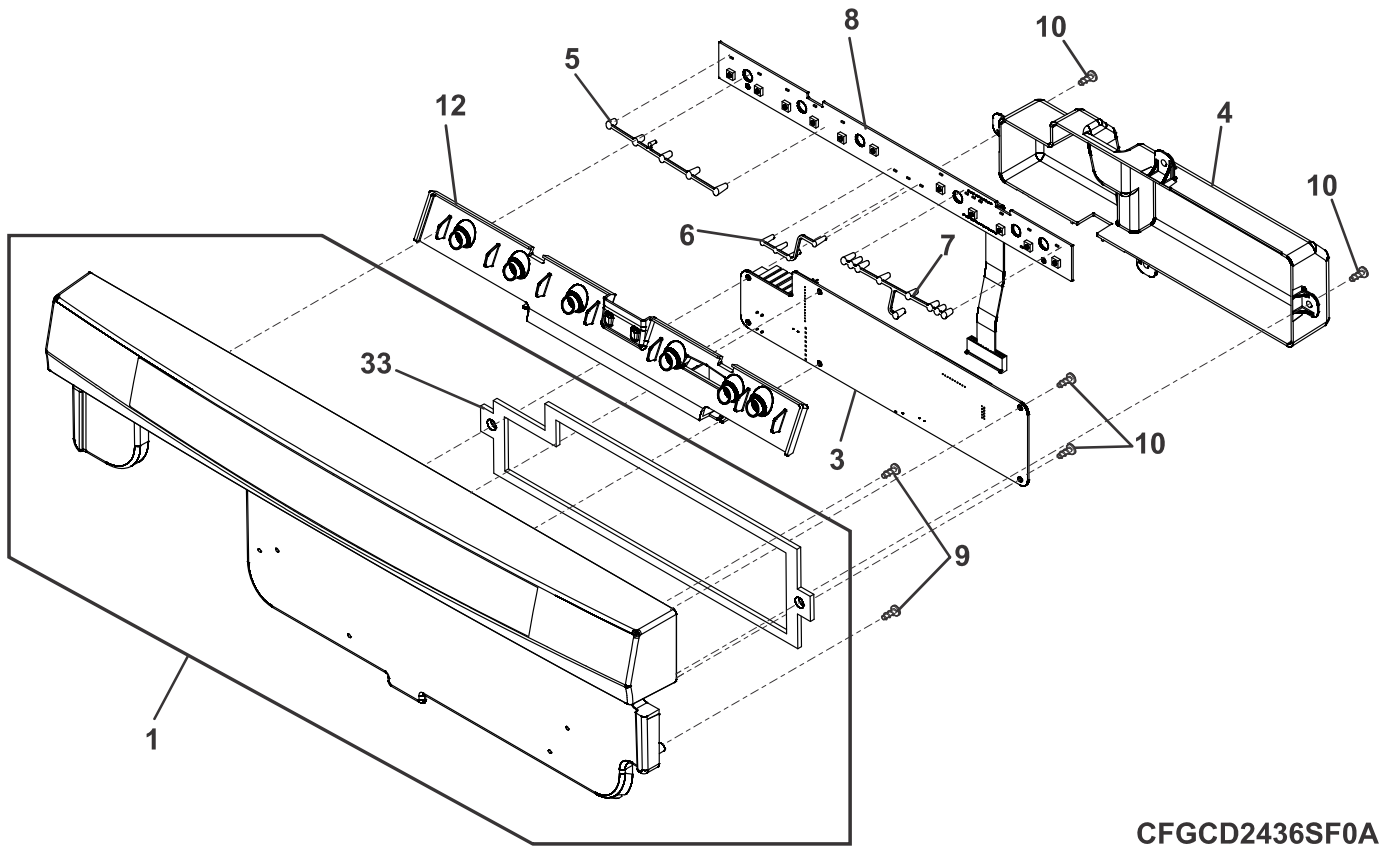
P.O. BOX 8020
CHARLOTTE, NC 28262

24-INCH BUILT-IN DISHWASHER

Model No.
FGCD2444S

Publication No.
5995678090
16/08/17
(EN/SERVICE/ECL)
821

CONTROL PANEL



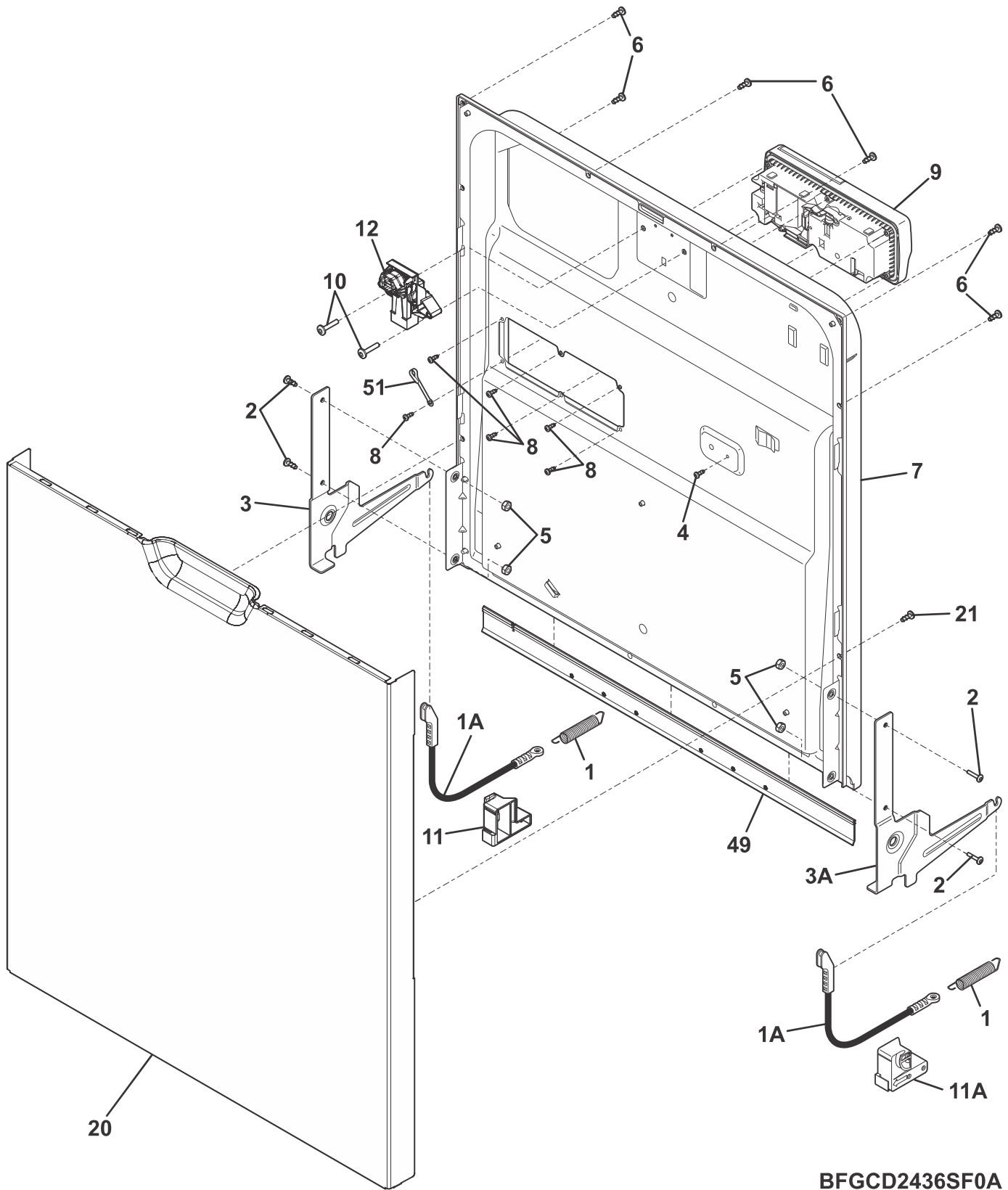
CFGCD2436SF0A

CONTROL PANEL

Model Index: A FGCD2444S (FGCD2444SA0A)
 B FGCD2444S (FGCD2444SB0A)
 C FGCD2444S (FGCD2444SF0A)
 D FGCD2444S (FGCD2444SW0A)

POS. NO	PART NO.		DESCRIPTION
1 #	5304507346	A - - -	Console Assembly, w/overlay, stainless, and gasket
1 #	5304507338	- B C -	Console Assembly, w/overlay, black, and gasket
1 #	5304507347	- - - D	Console Assembly, w/overlay, white, and gasket
3 #	807128502	A B C D	Board, control
4	808950401	A B C D	Cover, control
5	5304506777	A B C D	Light Guide, cycles, LH
6	5304506782	A B C D	Light Guide, start/stop, center
7	5304506781	A B C D	Light Guide, RH
8 #	5304506807	A B C D	Board, user interface
9	154783101	A B C D	Screw, PLT, 8-10
10	154294701	A B C D	Screw, #7 plas .375, (6), disp. assy.
12	5304506776	A B C D	Handle, latch
12*	5304506783	A B C D	Screw, latch handle, (6)
33	154478901	A B C D	Gasket, cover
* #	5304506794	A B C D	Harness, wiring, main
*	808612219	A B C D	Energy Guide

DOOR



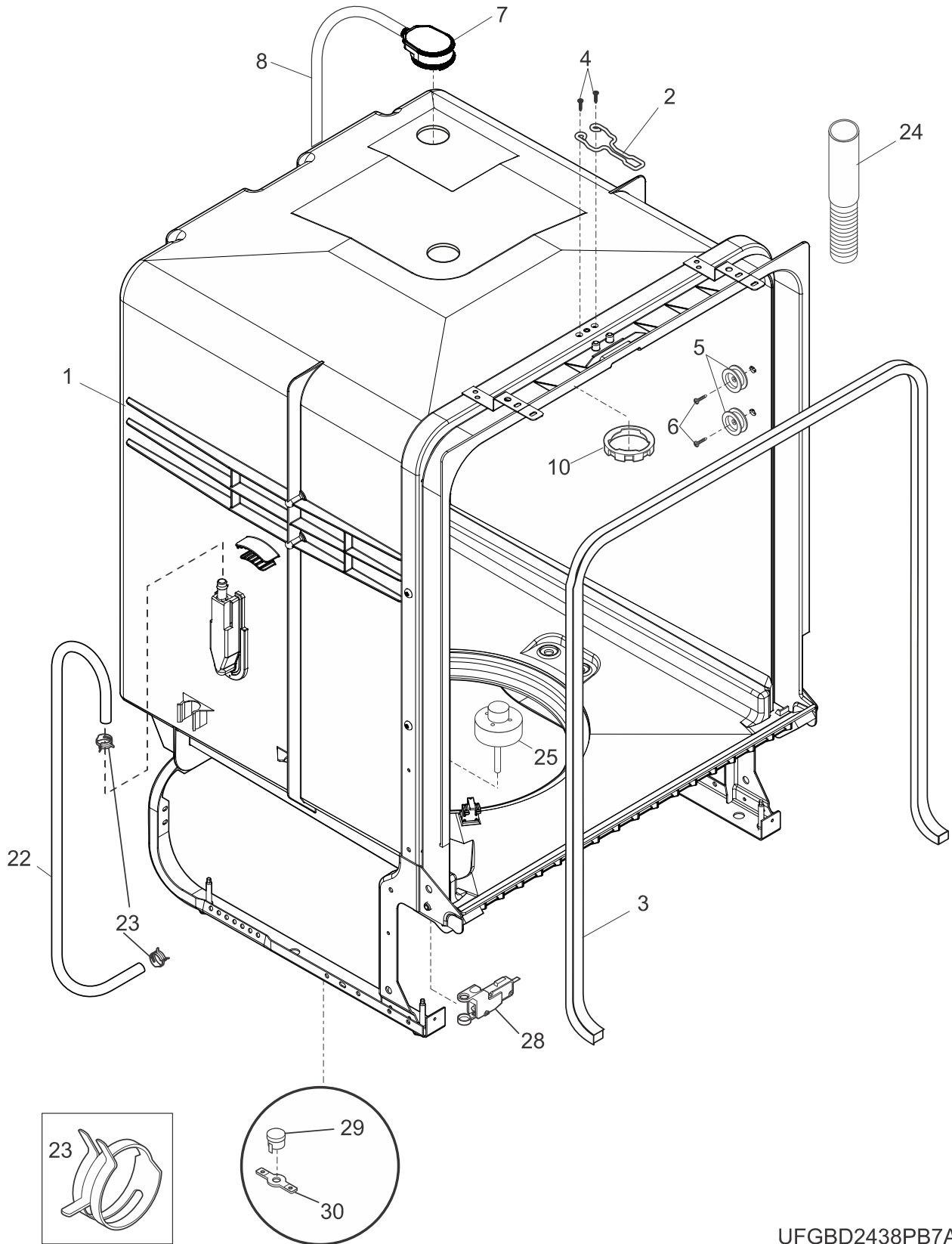
BFGCD2436SF0A

DOOR

Model Index: **A** FGCD2444S (FGCD2444SA0A)
 B FGCD2444S (FGCD2444SB0A)
 C FGCD2444S (FGCD2444SF0A)
 D FGCD2444S (FGCD2444SW0A)

POS. NO	PART NO.		DESCRIPTION
1	154579101	A B C D	Spring, friction pulley, (2)
1A	154578801	A B C D	Cable, friction pulley, (2)
2	154093301	A B C D	Screw, arm assy, (4)
3	154691201	A B C D	Arm Assy, LH
3A	154691101	A B C D	Arm Assy, RH
*	154647101	A B C D	Hinge Pin, arm assy
*	154686401	A B C D	Bearing, hinge pin
4	154825401	A B C D	Screw, hex hd, 8-18 x .4, w/washer
5	154079601	A B C D	Nut, arm assy, and handle mtg.
6	154783101	A B C D	Screw, PLT, 8-10
7	5304502918	A B C D	Liner, door assembly, grey
8	154294701	A B C D	Screw, #7 plas .375, (6), disp. assy.
9 #	5304506521	A B C D	Dispenser, det/rinse aid, w/level ind.
9*	154719301	A B C D	Shield, dispenser assy
10	154103702	A B C D	Screw, latch mtg, (2)
11	154579201	A B C D	Pulley, friction, LH
11A	154579202	A B C D	Pulley, friction, RH
12 #	154722401	A B C D	Latch Assembly, door
20	5304506792	A - C -	Door Assembly, outer, stainless, w/insulation
20	5304506791	- B - -	Door Assembly, outer, black, w/insulation
20	5304506790	- - - D	Door Assembly, outer, white, w/insulation
20*	154253201	A B C D	Insulation, door
21	154754701	A B C D	Screw, truss hd, 8-18 type AB
49	5304500204	A B C D	Gasket, door, bottom
51	154320301	A B C D	Clamp, drip loop, wire

TUB



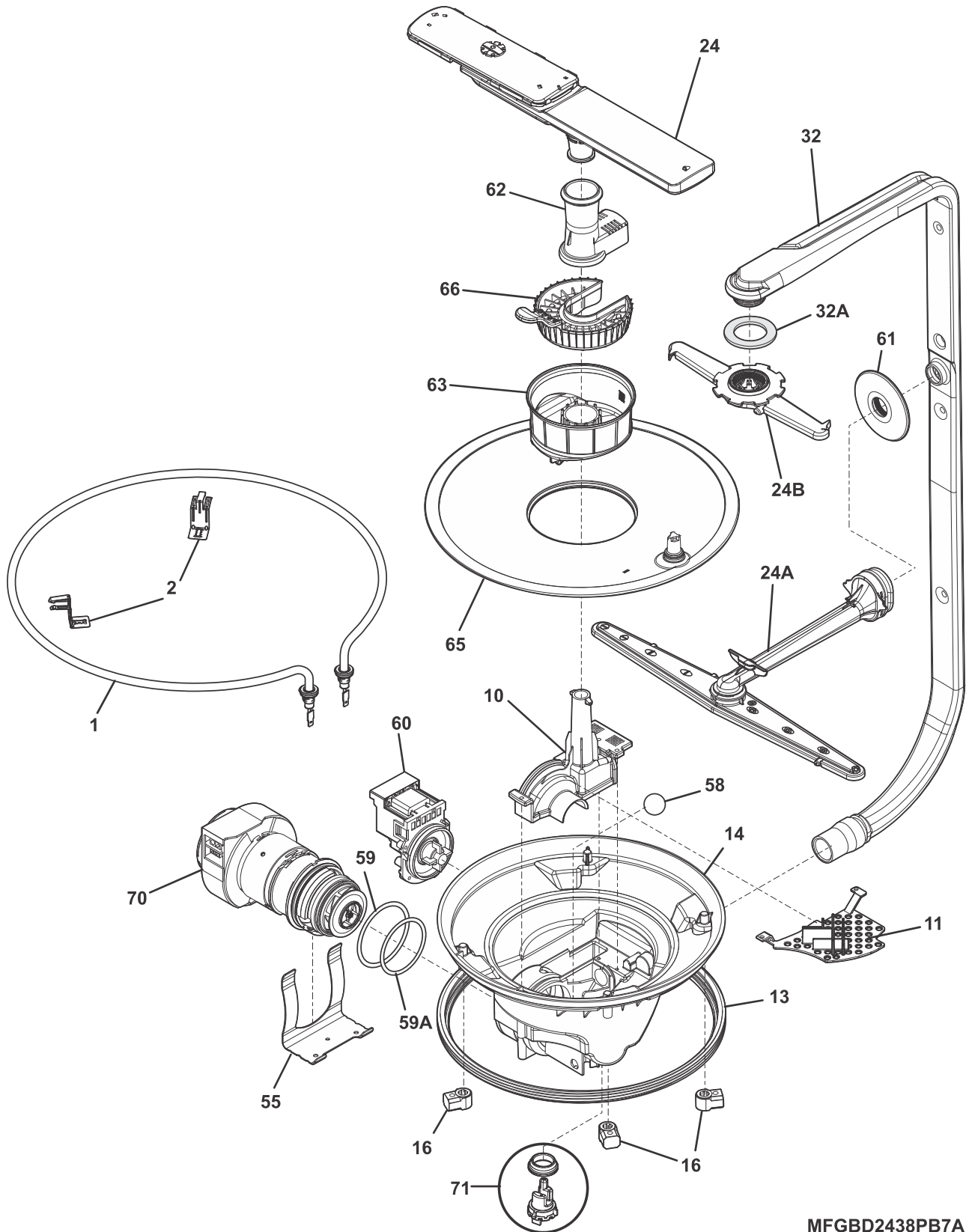
UFGBD2438PB7A

TUB

Model Index: **A** FGCD2444S (FGCD2444SA0A)
 B FGCD2444S (FGCD2444SB0A)
 C FGCD2444S (FGCD2444SF0A)
 D FGCD2444S (FGCD2444SW0A)

POS. NO	PART NO.		DESCRIPTION
1 #	5304502973	A B C D	Tub assy, w/frame parts, grey DF, & vent hole
2	5304502435	A B C D	Strike, door
3 #	154827601	A B C D	Gasket, tub
4	808326801	A B C D	Screw, hex head, 8-18 x .400, (2)
5	154767502	A B C D	Roller Assembly, tub, (8), w/screw-washer
6	5303943103	A B C D	Screw, w/washer, (8)
7	5304502709	A B C D	Vent Assembly, active drying
8	154820901	A B C D	Hose, drying vent, active
8*	808690601	A B C D	Clamp, vent hose
10	154562902	A B C D	Bezel, vent, gray
22	154446002	A B C D	Tubing, water inlet
23	5303318539	A B C D	Clamp, tubing, (2)
24	807117001	A B C D	Hose, drain
*	154380601	A B C D	Clamp, hose, 1.5" open, worm gear, (5)
25	5304506520	A B C D	Float
28 #	154773201	A B C D	Switch Assy, float
29 #	154642901	A B C D	Thermostat, hi limit
30	154241101	A B C D	Retainer, thermostat
30*	154297701	A B C D	Screw, retainer-thermo
*	154858701	A B C D	Insulation, blanket
*	154406801	A B C D	Bracket Kit, countertop mtg, w/scrws & instr
*	5300807270	A B C D	Screw, (2), countertop mtg.
*	154041001	A B C D	Screw, plask #1, 10-10 x 9/16

MOTOR & PUMP



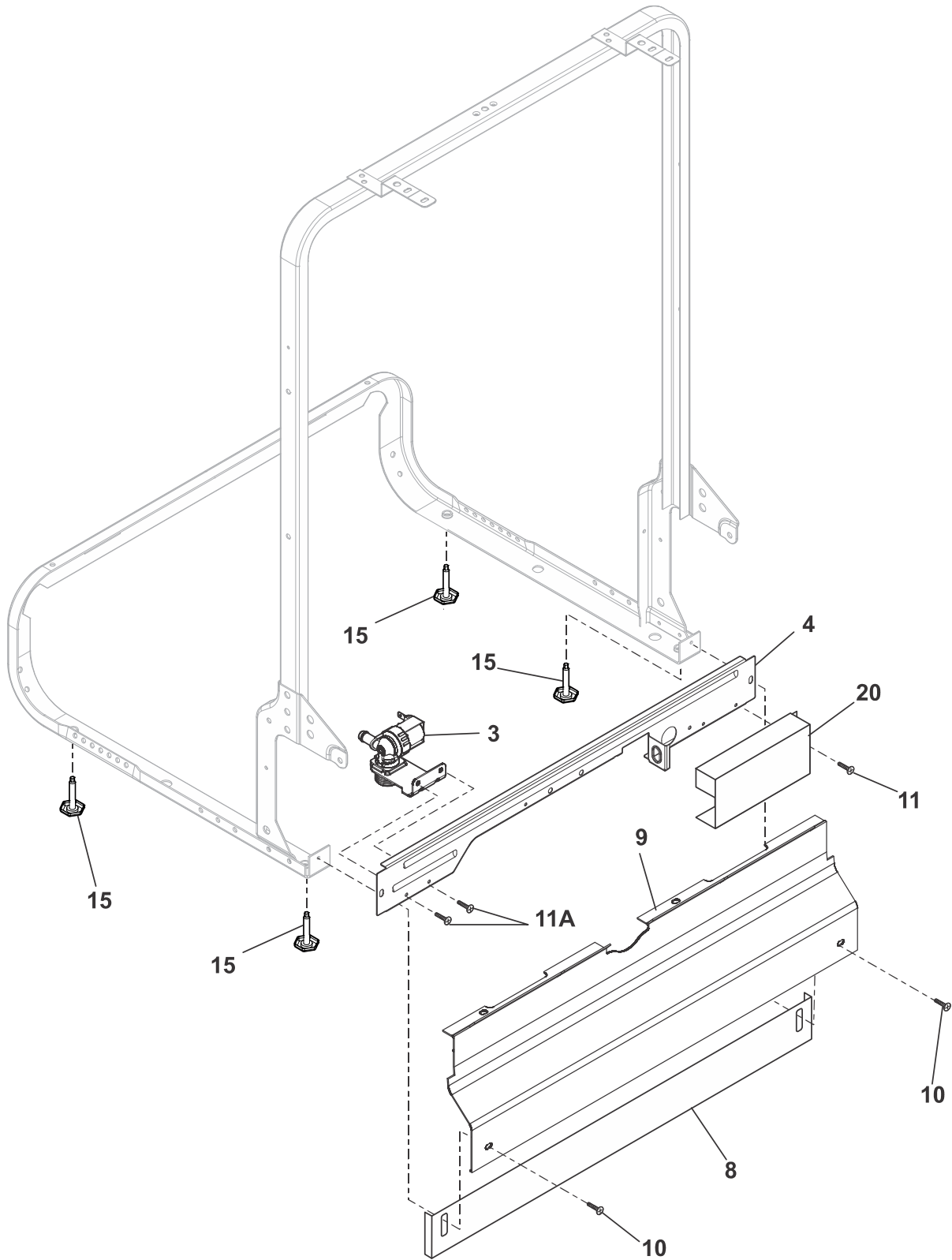
MFGBD2438PB7A

MOTOR & PUMP

Model Index: A FGCD2444S (FGCD2444SA0A)
 B FGCD2444S (FGCD2444SB0A)
 C FGCD2444S (FGCD2444SF0A)
 D FGCD2444S (FGCD2444SW0A)

POS. NO	PART NO.		DESCRIPTION
1 #	154825001	A B C D	Heater, round
1*	154106202	A B C D	Nut, heater, (2)
1*	154289801	A B C D	Shield, heater terminal
2	154465101	A B C D	Bracket, heater, (2)
10	807145201	A B C D	Cover, volute
*	154783101	A B C D	Screw, PLT, 8-10
11	807111601	A B C D	Plate, pump inlet
13	154246801	A B C D	Gasket, sump
14	5304502919	A B C D	Sump Assembly
16	154246502	A B C D	Retainer, sump
16*	154754901	A B C D	Screw, sump mtg, 8-16, (4)
24 #	5304506660	A B C D	Spray arm, assembly, ocean blue, lower, Orbit Bar
24A#	5304506740	A B C D	Spray arm, center
24B#	5304506516	A B C D	Spray arm, assembly, upper
32	154824201	A B C D	Tube, delivery
32*	154106801	A B C D	Clamp, hose, 1.29" open, worm gear, (2)
32*	154491101	A B C D	Screw, delivery tube
32A	154406401	A B C D	Gasket, delivery tube
55	154595901	A B C D	Bracket, motor
55*	154779601	A B C D	Screw, PH, 8-10, (2)
58	154246402	A B C D	Check ball
59	154246901	A B C D	O-ring, rear
59A	154247001	A B C D	O-ring, front
60 #	5304492415	A B C D	Drain Pump Assy
60*	154741501	A B C D	Screw, drain motor mtg, (3)
60*	807048001	A B C D	Flapper, valve
61	154463402	A B C D	Grommet, delivery tube
62	5304506515	A B C D	Support, spray arm, lower
63	5304506533	A B C D	Base, soil director
65	154283005	A B C D	Filter Assy, grey
66	5304506518	A B C D	Trap, glass
70 #	154844301	A B C D	Motor & Pump Assy, w/o-rings
71 #	154762601	A B C D	Sensor, turbidity, snap-in, w/seal

FRAME



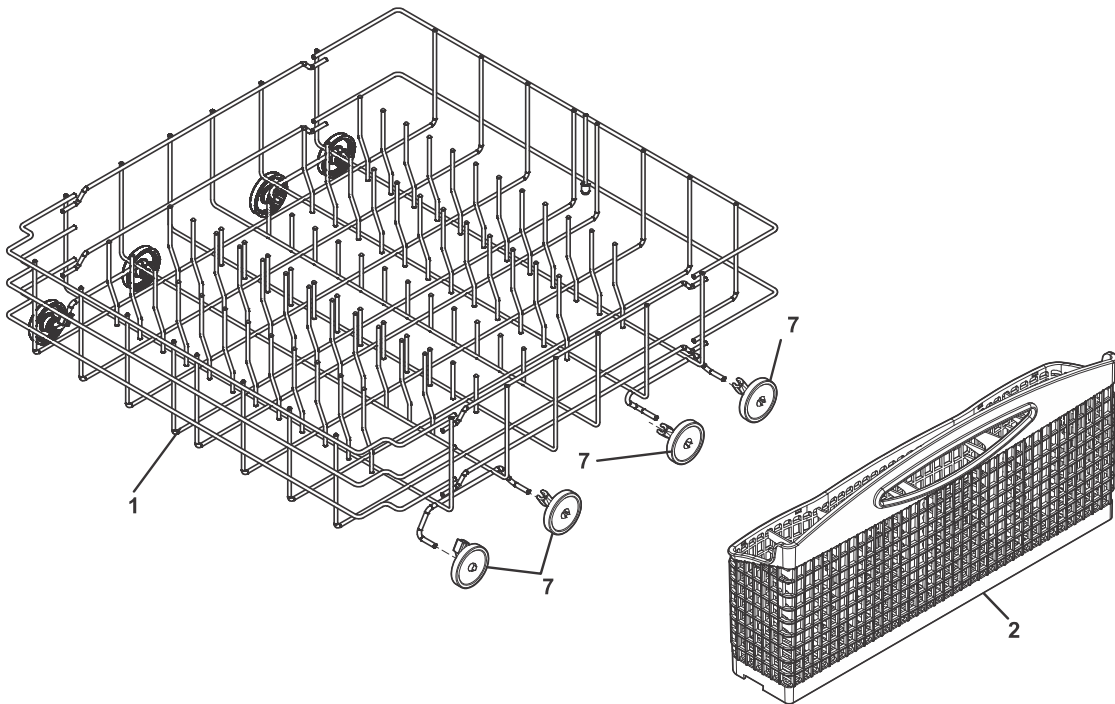
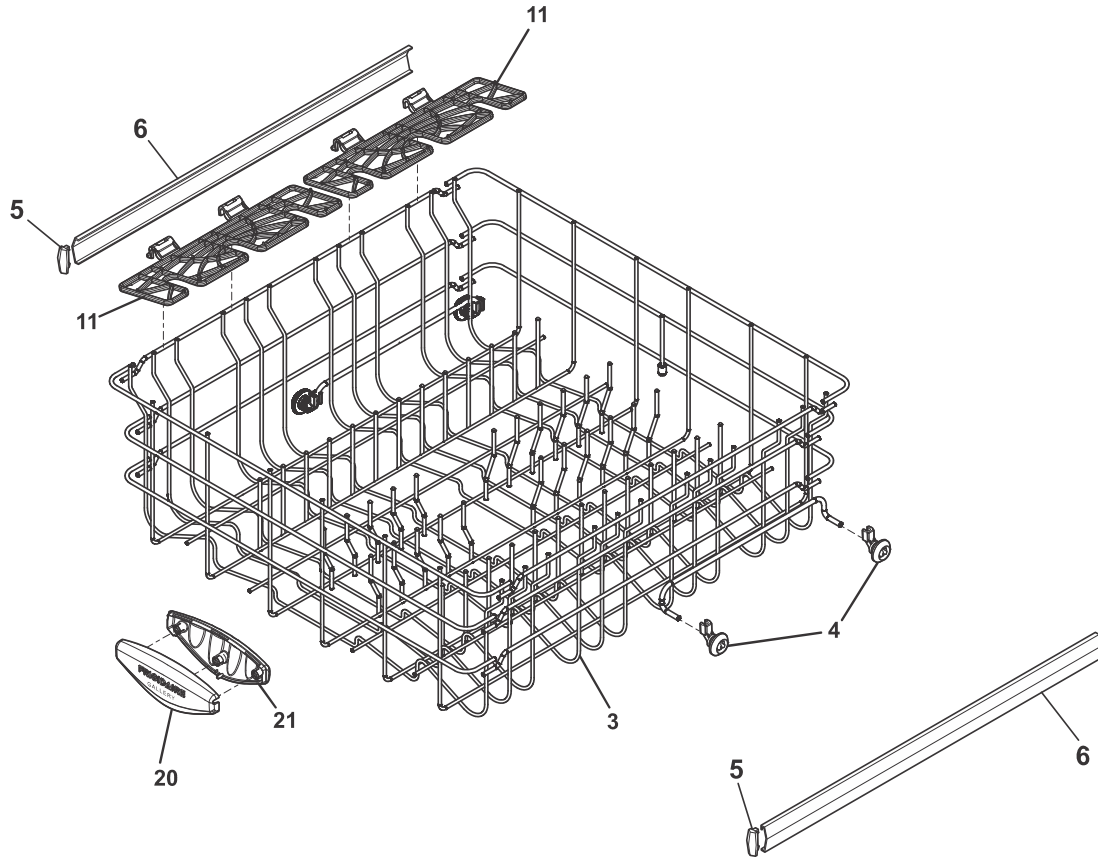
FFFBD2406NB6A

FRAME

Model Index: **A** FGCD2444S (FGCD2444SA0A)
 B FGCD2444S (FGCD2444SB0A)
 C FGCD2444S (FGCD2444SF0A)
 D FGCD2444S (FGCD2444SW0A)

POS. NO	PART NO.		DESCRIPTION
3 #	807047901	A B C D	Valve, water
3*	154106801	A B C D	Clamp, hose, 1.29" open, worm gear, (2)
4	154823701	A B C D	Brace, front frame
8	154745503	A B C -	Toeplate, adjustable, black
8	154745501	- - - D	Toeplate, adjustable, white
9	5304501484	A B C -	Kickplate Assy, PVC, black, w/label
9	5304501482	- - - D	Kickplate Assy, PVC, white, w/label
9*	5304501485	A B C D	Insulation, kickplate
10	154754801	A B C -	Screw, toeplate mtg, 8-18 AB hex hd, black, (2)
10	154371301	- - - D	Screw, Phillips head, white
11	154200701	A B C D	Screw, #10-32 x 3/8
11A	154825401	A B C D	Screw, hex hd, 8-18 x .4, w/washer
15	5304506540	A B C D	Leg, leveling, 1/4-20
20	154758501	A B C D	Cover, junction box, w/label
*	154041001	A B C D	Screw, plask #1, 10-10 x 9/16

RACKS



RFGBD2434PB1A

RACKS

Model Index: **A** FGCD2444S (FGCD2444SA0A)
 B FGCD2444S (FGCD2444SB0A)
 C FGCD2444S (FGCD2444SF0A)
 D FGCD2444S (FGCD2444SW0A)

POS. NO	PART NO.		DESCRIPTION
1	154875204	A B C D	Rack Assembly, lower, nylon, grey, w/wheels
2	5304506523	A B C D	Basket, silverware
3	5304498212	A B C D	Rack Assembly, upper
4	154522902	A B C D	Wheel & bushing assy, grey, upper rack, (8)
5	5304506510	A B C D	Cap, rack slide
6	154597801	A B C D	Slide, rack, upper, (2)
7	154174503	A B C D	Wheel & bracket assy, grey, lower rack, (8)
11	5304506507	A B C D	Cup Shelf, stemware
20	5304506509	A B C D	Handle, front, upper rack
21	5304504913	A B C D	Handle, rear, upper rack

WIRING DIAGRAM

