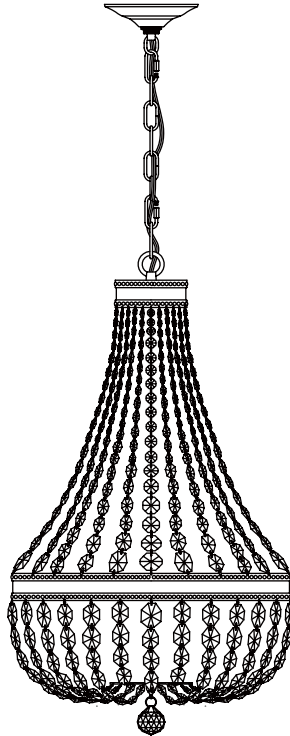


USE AND CARE GUIDE

6-LIGHT CHANDELIER



Questions, problems, missing parts? Before returning to the store,
call Home Decorators Collection Customer Service
8 a.m. - 7 p.m., EST, Monday – Friday, 9 a.m. - 6 p.m., EST, Saturday

1-800-986-3460

WWW.HOMEDEPOT.COM/HOMEDECORATORS

THANK YOU

We appreciate the trust and confidence you have placed in Home Decorators Collection through the purchase of this 6-light chandelier. We strive to continually create quality products designed to enhance your home. Visit us online to see our full line of products available for your home improvement needs. Thank you for choosing Home Decorators Collection!

Table of Contents


Table of Contents.....	2	Hardware Included.....	3
Safety Information.....	2	Package Contents.....	4
Warranty.....	2	Installation.....	5
Pre-Installation.....	3	Care & Cleaning.....	8
Planning Installation	3	Troubleshooting.....	8
Tools Required.....	3		

Safety Information

- Read all instructions before assembling and installing.
- Consult a qualified electrician for installation of this fixture.
- If you have any non-electrical questions about this fixture, please contact our Customer Service Team at 1-800-986-3460 or visit www.homedepot.com/homedecorators.
- Please reference your SKU 1001 664 606 or (UPC 773546259859).
- Keep your receipt and these instructions for proof of purchase.

 **CAUTION:** Before starting installation of this fixture or removal of a previous fixture, disconnect the power by turning off the circuit breaker or by removing the fuse at the fuse box.

 **IMPORTANT:** Do not install this lighting system in damp or wet locations.

 **IMPORTANT:** Inspect the wire insulation for any cuts, abrasions, or exposed copper that may have occurred during shipping. If there is a defect in the wire, do not continue the assembly process. Please call our Customer Service Team at 1-800-986-3460.

Warranty

LIMITED WARRANTY

WHAT IS COVERED

The manufacturer warrants this lighting fixture to be free from defects in materials and workmanship for a period of five (5) years from date of purchase. This warranty applies only to the original consumer purchaser and only to products used in normal use and service. If this product is found to be defective, the manufacturer's only obligation, and your exclusive remedy, is the repair or replacement of the product at the manufacturer's discretion, provided that the product has not been damaged through misuse, abuse, accident, modification, alteration, neglect, or mishandling.

WHAT IS NOT COVERED

This warranty shall not apply to any product that is found to have been improperly installed, set-up, or used in any way not in accordance with the instructions supplied with the product. This warranty shall not apply to a failure of the product as a result of an accident, misuse, abuse, negligence, alteration, faulty installation, or any other failure not relating to faulty material or workmanship. This warranty shall not apply to the finish on any portion of the product, such as surface and/or weathering, as this is considered normal wear and tear. The manufacturer does not warrant and specially disclaims any warranty, whether express or implied, of fitness for a particular purpose, other than the warranty contained herein. The manufacturer specifically disclaims any liability and shall not be liable for any consequential or incidental loss or damage, including but not limited to any labor/expense costs involved in the replacement or repair of said product.

Contact Customer Care at 1-800-986-3460 or visit www.homedepot.com/homedecorators.

Pre-Installation

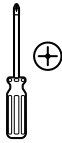
PLANNING INSTALLATION

Read all instructions before assembly and installation. To avoid damaging this product, assemble it on a soft, non-abrasive surface, such as carpet or cardboard. Inspect each part for defects that may have occurred during shipping. Keep your receipt and these instructions for proof of purchase.

TOOLS REQUIRED



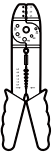
Safety goggles



Phillips screwdriver



Flathead screwdriver



Wire strippers



Wire cutters

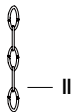


Ladder

HARDWARE INCLUDED



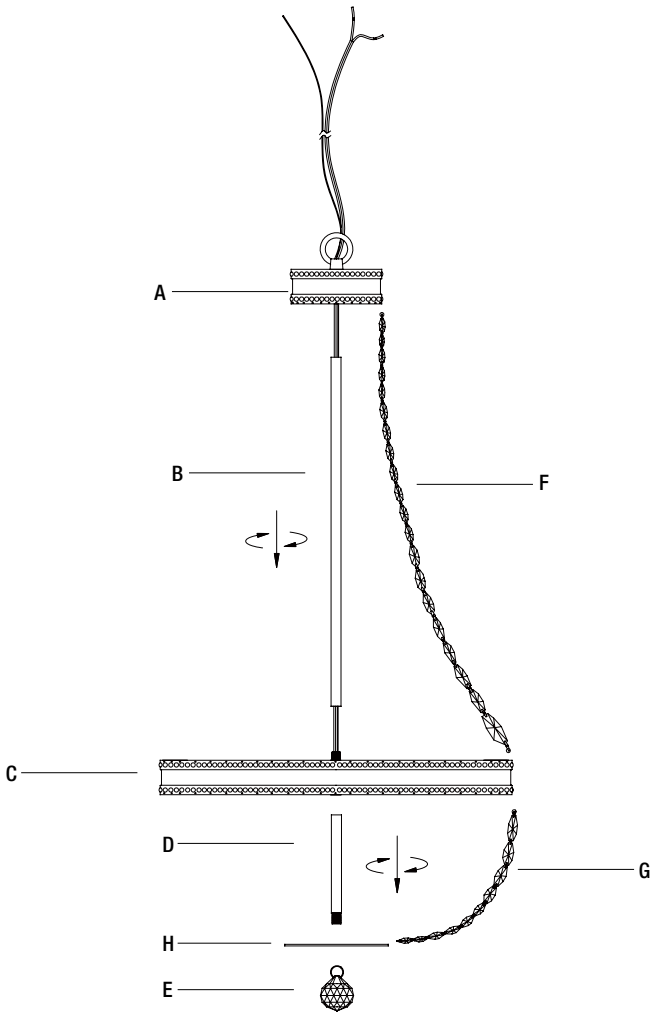
NOTE: Hardware not shown to actual size.



Part	Description	Quantity
AA	Wire nut	3
BB	Outlet box screw	2
CC	Ground screw	1
DD	Cross bar	1
EE	Nipple	1
FF	Canopy	1
GG	Hex nut	1
HH	Finial	1
II	Fixture chain	1
JJ	Chain link	2
KK	Canopy loop	1
LL	Loop ring	1

Pre-Installation (continued)

PACKAGE CONTENTS



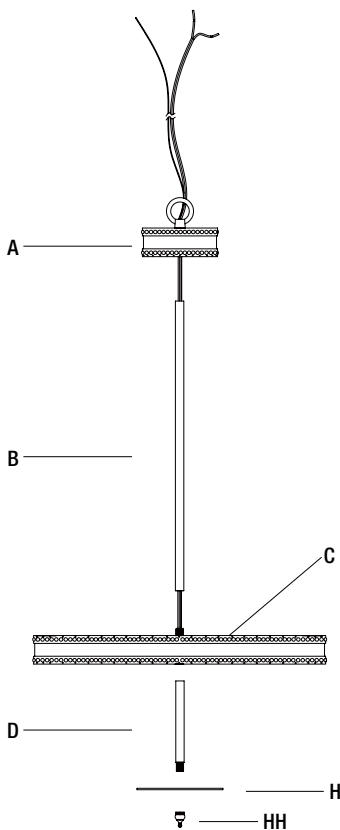
Part	Description	Quantity
A	Small lock ring for crystal	1
B	Large center rod	1
C	Large lock ring for crystal	1
D	Small center rod	1
E	Decorative crystal	1
F	Long decorative crystal strand	24
G	Short decorative crystal strand	28
H	Metal washer	1

Installation

1 Assembling the fixture

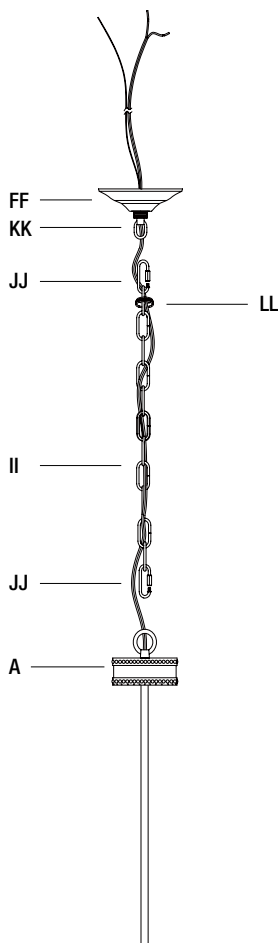
WARNING: Turn off the power at the main fuse box.

- Carefully unpack the fixture. Lay out all the parts on a clean surface.
- Install the large center rod (B) to the large lock ring for crystal (C) and twist clockwise to secure in place. See the illustration below.
- Install the small lock ring for crystal (A) and the small center rod (D) by twisting each piece clockwise as the illustration shows.
- Attach the metal washer (H) to the small center rod (D), and secure it with the finial (HH).



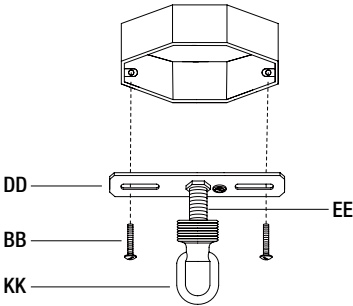
2 Attaching the fixture chain

- Adjust the fixture chain (II) to the desired length by moving the links if needed. You may need to use pliers (not included) to open the chain links (JJ). If so, put a cloth over the chain to protect the finish from the pliers.
- Connect the fixture chain (II) to the fixture loop on the top of the small lock ring for crystal (A) and the canopy loop (KK) using the chain links (JJ).
- Pull the power cord up through the fixture chain (II), the loop ring (LL) and the canopy (FF).



3 Installing the cross bar

- Secure the cross bar (DD) to the outlet box (not included) with the outlet box screws (BB). Tighten until snug.
- Attach the canopy loop (KK) to the nipple (EE) on the cross bar (DD).

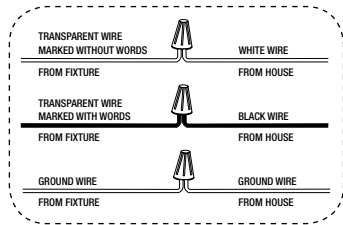


4 Making the electrical connections

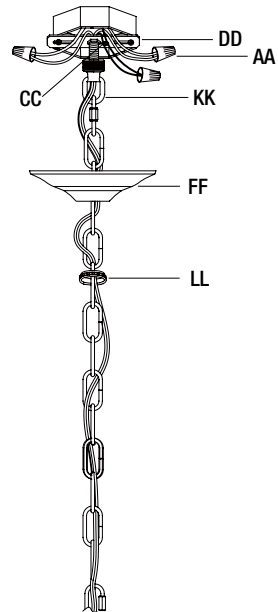


NOTE: Always use wire nuts (AA) or marrettes (included) to connect wires, and push all excess wires and connections back into the outlet box.

- Push all slack fixture wire through the canopy loop (KK) and into the outlet box. Trim the excess fixture wire, leaving a minimum of 6 in. hanging out of the outlet box.
- Connect the ground wire from the branch circuit to the ground screw (CC) on the cross bar (DD).
- Connect the pendant cable as follows:

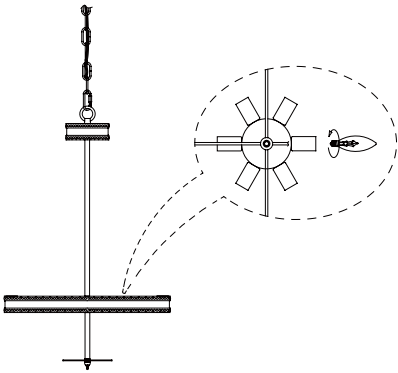


- Attach the canopy (FF) to the outlet box, and secure it with the loop ring (LL).



5 Installing the bulbs

- Install 60W max. B10 bulbs (not included) in each socket of the fixture body.

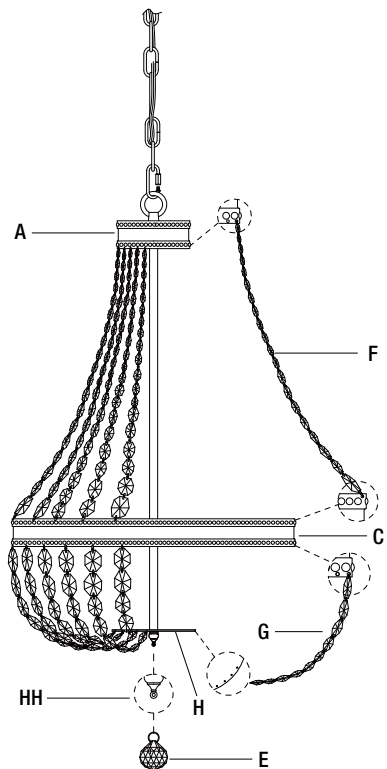


6 Attaching the decorative crystal strands

- Carefully attach the ring of the long decorative crystal strand (F) to the hole of the small lock ring for crystal (A) and attach the ring at the other end of the long decorative crystal strand (F) to the hole on the large lock ring for crystal (C). Repeat this step for the remaining long decorative crystal strands (F).
- Carefully attach the ring of the short decorative crystal strand (G) to the hole of the large lock ring for crystal (C) and the ring at the other end of the short decorative crystal strand (G) to the hole on the metal washer (H). Repeat this step for the remaining short decorative crystal strands (G).
- Carefully attach the decorative crystal (E) to the hole at the bottom of the finial (HH).

NOTE:

- Inspect shade for missing or damaged crystal beads.
- Check plastic bag that contained the shade for crystal beads that may have fallen off during transit.
- Replace damaged or missing crystal beads by inserting in the hook through the hole on the shade. Extra crystal beads have been included for this purpose.



Care and Cleaning

- Clean the light fixture carefully with a soft, dry cloth. Do not use any cleaners with chemicals, solvents, or harsh abrasives.

Troubleshooting

Problem	Possible Cause	Solution
□ The bulb will not light.	□ The bulb is burned out.	□ Replace the light bulb.
	□ The power is off.	□ Ensure that the power supply is turned on.
	□ The circuit breaker is off.	□ Ensure that the circuit breaker is set to the ON position.
□ The fuse blows or the circuit breaker trips when the light is turned on.	□ There are too many items on one circuit.	□ Unplug the other items on the circuit. □ Contact a qualified electrician or call the Customer Service Team at 1-800-986-3460.

HOME DECORATORS COLLECTION

Questions, problems, missing parts? Before returning to the store,
call Home Decorators Collection Customer Service
8 a.m. - 7 p.m., EST, Monday – Friday, 9 a.m. - 6 p.m., EST, Saturday

1-800-986-3460

WWW.HOMEDEPOT.COM/HOMEDECORATORS

Retain this manual for future use.