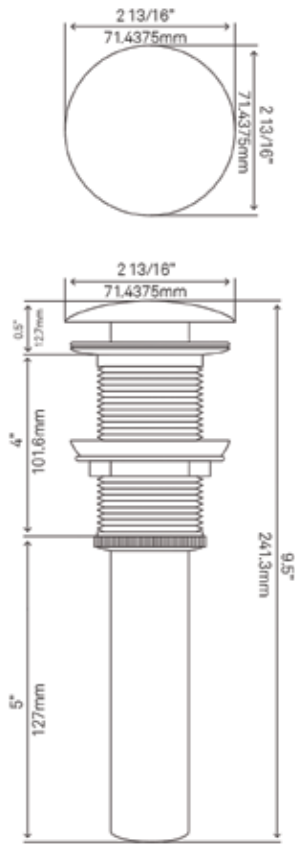
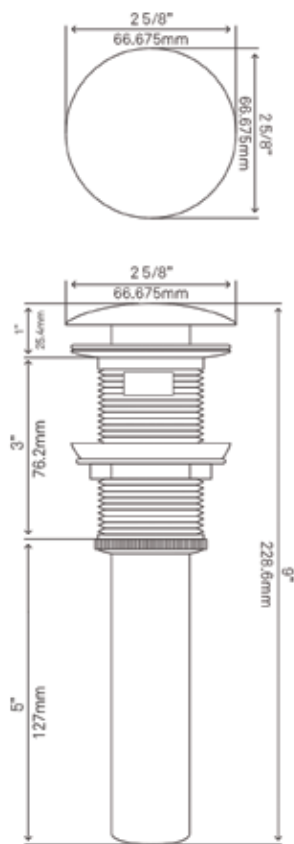


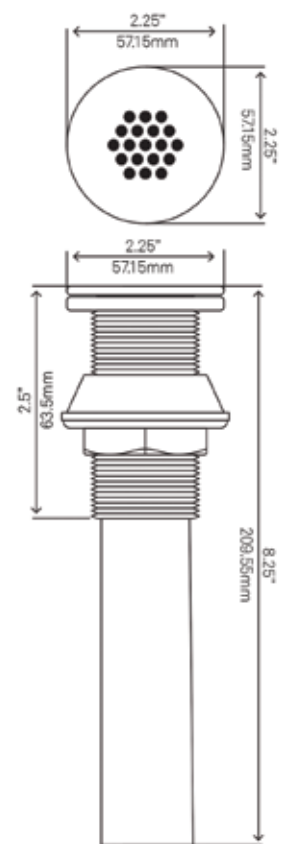
Pop-up Drains (w/o Overflow):
PUD-BN • PUD-CH • PUD-ORB



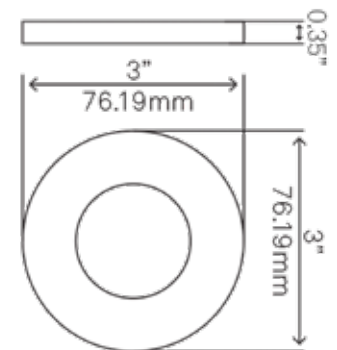
Umbrella Drains (w/o Overflow):
UPD-BN • UPD-CH • UPD-ORB



Pop-up Drains (with Overflow):
PUD-BN-O • PUD-CH-O • PUD-ORB-O



Strainer Drains:
STD-BN • STD-CH • STD-ORB



Mounting Rings:
MR-001BN • MR-001CH • MR-001ORB

What drain do you recommend for my vessel sink?

We recommend using pop-up drains with our glass and porcelain sinks; umbrella drains with our stone; and strainer drains with our copper bath sinks. Some of our porcelain sinks need a drain with overflow.

What size hole is needed?

Our pop-up and umbrella drains ideally need a 1.625 inch counter hole. The grid-strainers need a 1.5 inch countertop hole.

Do these drains have a warranty?

Yes, they all have a Limited Lifetime Warranty.

Do I need a mounting ring?

They are only necessary for our glass vessel sinks. Our stone, copper and porcelain sinks do not need one.

May I use a drain or mounting ring from another vendor?

Yes, drains and mounting rings from other vendors will work with Novatto's drains and mounting rings. To ensure the finishes match, we recommend buying both items from the same vendor.

More questions? Feel free to contact our technical support team anytime. More info is also available on our website.

Novatto | P: 844.404.4242
support@novattoinc.com
NovattoInc.com

NOVATTO
WHERE STYLE FLOWS