


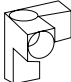

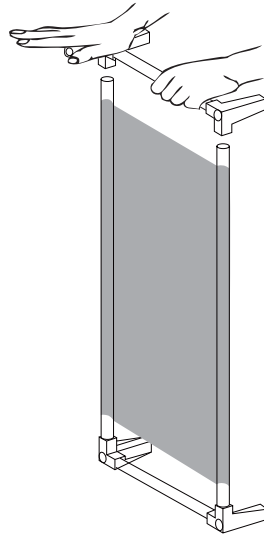
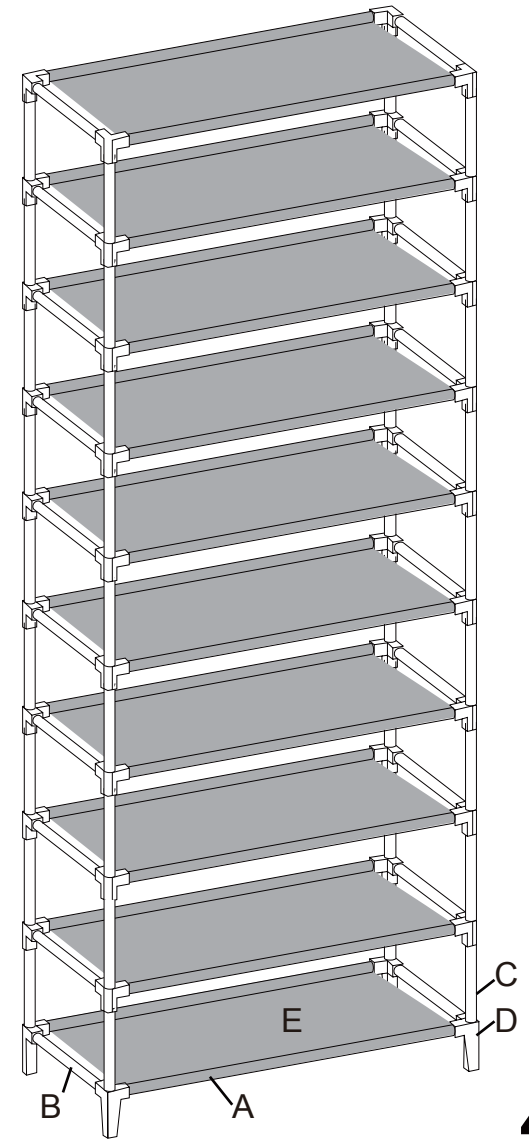


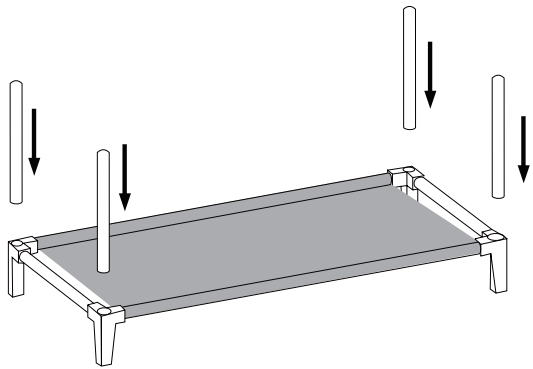
| PARTS LIST | FRAME   | QUANTITY |
|------------|---|----------|
| A          |  | 20       |
| B          |  | 20       |
| C          |  | 36       |
| D          |  | 40       |
| E          |  | 10       |



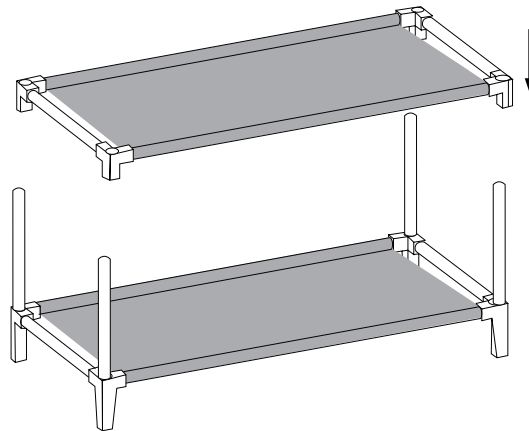
1



4



2



3

**WARNING:**

Metal rods can be sharp. Please use extreme caution when handling and assembling. To avoid injury, work gloves are recommended during assembly.