



## KSDB-3322 Swanstone Double Bowl Kitchen Sink

### WARRANTY

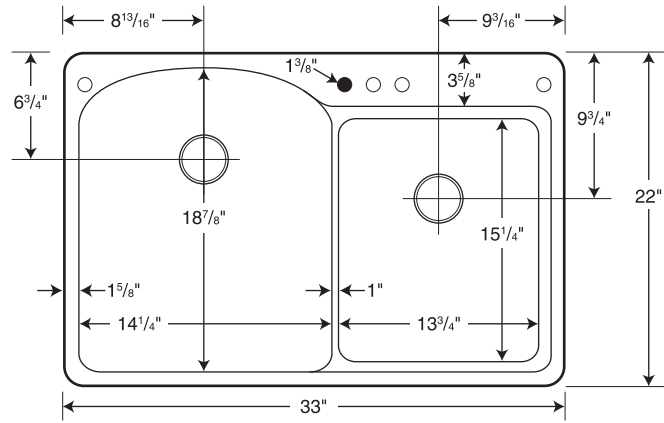
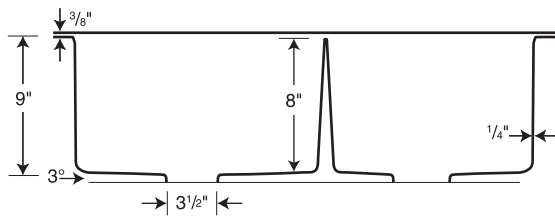
Limited Lifetime – Residential  
Limited 10-year – Commercial

**Manufactured from Swanstone solid surface**  
(See page 2 for detailed information.)

*Recommended for high-use traffic areas and commercial surfaces.*

### FEATURES

- Swan's most popular sink.
- Classic style in a standard size.
- Renewable surface will not wear away.
- Hot pots and boiling water will not damage it.
- Highest resistance of impact from heavy objects.
- Easily accommodates all faucet styles.
- Heat, stain and scratch resistant for lasting beauty.



○ Drill Points ● Pre-drilled  
Capacity: 7-1/4 gallons in large (left) bowl,  
5-3/4 gallons in small (right) bowl

### SPECIFICATIONS

#### KSDB-3322 Swanstone Double Bowl Kitchen Sink

Model	Part	Nominal Dimensions	Ship Wt. Lb.	Ship FedEx	Carton Dims. In.	Cu. Ft.
KSDB-3322	KS03322DB	33" W x 22" D (838 mm x 559 mm)	33	FedEx	26 x 13 x 39	7.63

### COLORS

#### Solid Colors:

- White (010)
- Bisque (018)
- Bone (037)

- Glacier (121)
- Gray Granite (042)
- Night Sky (012)
- Pebble (072)
- Prairie (122)

#### Aggregate Colors:

- Acorn (123)
- Arctic Granite (035)
- Baby's Breath (168)
- Barley (091)
- Bermuda Sand (040)
- Black Galaxy (015)
- Canyon (124)
- Caraway Seed (169)

- Tahiti Desert (050)
- Tahiti Gray (053)
- Tahiti Ivory (059)
- Tahiti Matrix (058)
- Tahiti Sand (051)
- Tahiti White (011)

Our Planet Colors

### STANDARDS AND RATINGS

American National Standard Institute—ANSI Z124.6

International Association of Plumbing and Mechanical Officials (IAPMO)—Listed cUPC listed—Certified to CSA Test Standard B45.5 by IAPMO

Uniform Plumbing Code (UPC)

National Sanitation Foundation—NSF/ANSI 51 Food Equipment Materials

For a complete list of tests and results see the Technical Data Sheet.

### SUPPORT DOCUMENTS

Installation instructions available at [swanstone.com](http://swanstone.com).

### MAINTENANCE AND CLEANING INFORMATION

Clean your Swanstone sink by using abrasive cleaners or other similar products. Use of a nylon scouring pad or Mr. Clean® Magic Eraser® is also recommended. Food-based stains can be removed using a 50-50 mix of bleach and water solution and soaking for 15 minutes. For rust or other mineral stains, rust-removing products are acceptable. **Do not** use metal scouring pads.

**MADE IN USA**