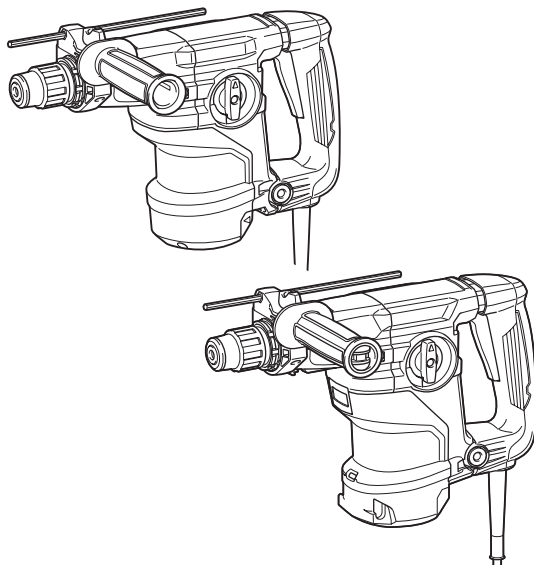


INSTRUCTION MANUAL
MANUEL D'INSTRUCTION
MANUAL DE INSTRUCCIONES



Combination Hammer Marteau Combi Martillo Rotativo Combinado

HR3011FC
HR3012FC
HR3001C



DOUBLE INSULATION
DOUBLE ISOLATION
DOBLE AISLAMIENTO

IMPORTANT: Read Before Using.
IMPORTANT : Lire avant usage.
IMPORTANTE: Lea antes de usar.

SPECIFICATIONS

Model:		HR3011FC	HR3012FC	HR3001C
Capacities	Concrete	30 mm (1-3/16")		
	Core bit	80 mm (3-1/8")		
	Diamond core bit (dry type)	80 mm (3-1/8")		
	Steel	13 mm (1/2")		
	Wood	32 mm (1-1/4")		
No load speed		0 - 840 /min		
Blows per minute		0 - 4,500 /min		
Overall length		369 mm (14-1/2")	386 mm (15-1/4")	369 mm (14-1/2")
Net weight		4.4 - 4.8 kg (9.7 - 10.6 lbs)	4.5 - 4.7 kg (9.9 - 10.4 lbs)	4.1 - 4.5 kg (9.0 - 9.9 lbs)
Safety class		□/II		

Optional accessory

Model:	DX10 (For HR3011FC)	DX11 (For HR3012FC)
Applicable workpiece and workmode	for concrete drilling only (not for metal or wood, and not for core drilling or chiseling)	
Suction performance	0.35 l/min	
Operating stroke	Up to 190 mm (7-1/2")	
Suitable drill bit	Up to 265 mm (10-3/8")	
Net weight	1.2 kg (2.6 lbs)	

- Due to our continuing program of research and development, the specifications herein are subject to change without notice.
- Specifications may differ from country to country.
- The weight may differ depending on the attachment(s). The lightest and heaviest combination, according to EPTA-Procedure 01/2014, are shown in the table.

SAFETY WARNINGS

General power tool safety warnings

⚠ WARNING: Read all safety warnings and all instructions. Failure to follow the warnings and instructions may result in electric shock, fire and/or serious injury.

Save all warnings and instructions for future reference.

The term "power tool" in the warnings refers to your mains-operated (corded) power tool or battery-operated (cordless) power tool.

Work area safety

1. **Keep work area clean and well lit.** Cluttered or dark areas invite accidents.
2. **Do not operate power tools in explosive atmospheres, such as in the presence of flammable liquids, gases or dust.** Power tools create sparks which may ignite the dust or fumes.
3. **Keep children and bystanders away while operating a power tool.** Distractions can cause you to lose control.

Electrical Safety

1. **Power tool plugs must match the outlet. Never modify the plug in any way. Do not use any adapter plugs with earthed (grounded) power tools.** Unmodified plugs and matching outlets will reduce risk of electric shock.
2. **Avoid body contact with earthed or grounded surfaces, such as pipes, radiators, ranges and refrigerators.** There is an increased risk of electric shock if your body is earthed or grounded.
3. **Do not expose power tools to rain or wet conditions.** Water entering a power tool will increase the risk of electric shock.
4. **Do not abuse the cord. Never use the cord for carrying, pulling or unplugging the power tool. Keep cord away from heat, oil, sharp edges or moving parts.** Damaged or entangled cords increase the risk of electric shock.
5. **When operating a power tool outdoors, use an extension cord suitable for outdoor use.** Use of a cord suitable for outdoor use reduces the risk of electric shock.
6. **If operating a power tool in a damp location is unavoidable, use a ground fault circuit interrupter (GFCI) protected supply.** Use of a GFCI reduces the risk of electric shock.

Personal Safety

- Stay alert, watch what you are doing and use common sense when operating a power tool. Do not use a power tool while you are tired or under the influence of drugs, alcohol or medication.** A moment of inattention while operating power tools may result in serious personal injury.
- Use personal protective equipment. Always wear eye protection.** Protective equipment such as a dust mask, non-skid safety shoes, hard hat or hearing protection used for appropriate conditions will reduce personal injuries.
- Prevent unintentional starting. Ensure the switch is in the off-position before connecting to power source and/or battery pack, picking up or carrying the tool.** Carrying power tools with your finger on the switch or energising power tools that have the switch on invites accidents.
- Remove any adjusting key or wrench before turning the power tool on.** A wrench or a key left attached to a rotating part of the power tool may result in personal injury.
- Do not overreach. Keep proper footing and balance at all times.** This enables better control of the power tool in unexpected situations.
- Dress properly. Do not wear loose clothing or jewellery. Keep your hair, clothing, and gloves away from moving parts.** Loose clothes, jewellery or long hair can be caught in moving parts.
- If devices are provided for the connection of dust extraction and collection facilities, ensure these are connected and properly used.** Use of dust collection can reduce dust-related hazards.
- Disconnect the plug from the power source and/or the battery pack from the power tool before making any adjustments, changing accessories, or storing power tools.** Such preventive safety measures reduce the risk of starting the power tool accidentally.
- Store idle power tools out of the reach of children and do not allow persons unfamiliar with the power tool or these instructions to operate the power tool.** Power tools are dangerous in the hands of untrained users.
- Maintain power tools. Check for misalignment or binding of moving parts, breakage of parts and any other condition that may affect the power tool's operation. If damaged, have the power tool repaired before use.** Many accidents are caused by poorly maintained power tools.
- Keep cutting tools sharp and clean.** Properly maintained cutting tools with sharp cutting edges are less likely to bind and are easier to control.
- Use the power tool, accessories and tool bits etc. in accordance with these instructions, taking into account the working conditions and the work to be performed.** Use of the power tool for operations different from those intended could result in a hazardous situation.

Service

- Have your power tool serviced by a qualified repair person using only identical replacement parts.** This will ensure that the safety of the power tool is maintained.
- Follow instruction for lubricating and changing accessories.**
- Keep handles dry, clean and free from oil and grease.**

USE PROPER EXTENSION CORD. Make sure your extension cord is in good condition. When using an extension cord, be sure to use one heavy enough to carry the current your product will draw. An undersized cord will cause a drop in line voltage resulting in loss of power and overheating. Table 1 shows the correct size to use depending on cord length and nameplate ampere rating. If in doubt, use the next heavier gage. The smaller the gage number, the heavier the cord.

Power tool use and care

- Do not force the power tool. Use the correct power tool for your application.** The correct power tool will do the job better and safer at the rate for which it was designed.
- Do not use the power tool if the switch does not turn it on and off.** Any power tool that cannot be controlled with the switch is dangerous and must be repaired.

Table 1: Minimum gage for cord

Ampere Rating		Volts	Total length of cord in feet			
		120V	25 ft.	50 ft.	100 ft.	150 ft.
		220V - 240V	50 ft.	100 ft.	200 ft.	300 ft.
More Than	Not More Than	AWG				
0 A	6 A	-	18	16	16	14
6 A	10 A		18	16	14	12
10 A	12 A		16	16	14	12
12 A	16 A		14	12	Not Recommended	

ROTARY HAMMER SAFETY WARNINGS

- Wear ear protectors.** Exposure to noise can cause hearing loss.
- Use auxiliary handle(s), if supplied with the tool.** Loss of control can cause personal injury.
- Hold power tool by insulated gripping surfaces, when performing an operation where the cutting accessory may contact hidden wiring or its own cord.** Cutting accessory contacting a "live" wire may make exposed metal parts of the power tool "live" and could give the operator an electric shock.
- Wear a hard hat (safety helmet), safety glasses and/or face shield.** Ordinary eye or sun glasses are NOT safety glasses. It is also highly recommended that you wear a dust mask and thickly padded gloves.
- Be sure the bit is secured in place before operation.**
- Under normal operation, the tool is designed to produce vibration. The screws can come loose easily, causing a breakdown or accident. Check tightness of screws carefully before operation.**
- In cold weather or when the tool has not been used for a long time, let the tool warm up for a while by operating it under no load. This will loosen up the lubrication. Without proper warm-up, hammering operation is difficult.**



8. Always be sure you have a firm footing. Be sure no one is below when using the tool in high locations.
9. Hold the tool firmly with both hands.
10. Keep hands away from moving parts.
11. Do not leave the tool running. Operate the tool only when hand-held.
12. Do not point the tool at any one in the area when operating. The bit could fly out and injure someone seriously.
13. Do not touch the bit, parts close to the bit, or workpiece immediately after operation; they may be extremely hot and could burn your skin.
14. Some material contains chemicals which may be toxic. Take caution to prevent dust inhalation and skin contact. Follow material supplier safety data.
15. Do not touch the power plug with wet hands.

SAVE THESE INSTRUCTIONS.

WARNING: DO NOT let comfort or familiarity with product (gained from repeated use) replace strict adherence to safety rules for the subject product. MISUSE or failure to follow the safety rules stated in this instruction manual may cause serious personal injury.

Symbols

The followings show the symbols used for tool.

V	volts
A	amperes
Hz	hertz
~	alternating current
n ₀	no load speed
	Class II Construction
... /min r /min	revolutions or reciprocation per minute
	number of blow

Power supply

The tool should be connected only to a power supply of the same voltage as indicated on the nameplate, and can only be operated on single-phase AC supply.

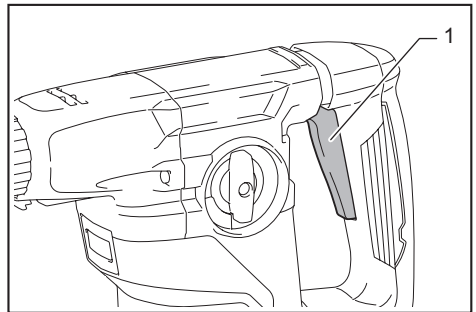
FUNCTIONAL DESCRIPTION

CAUTION: Always be sure that the tool is switched off and unplugged before adjusting or checking function on the tool.

Switch action

CAUTION: Before plugging in the tool, always check to see that the switch trigger actuates properly and returns to the "OFF" position when released.

To start the tool, simply pull the switch trigger. Tool speed is increased by increasing pressure on the switch trigger. Release the switch trigger to stop.



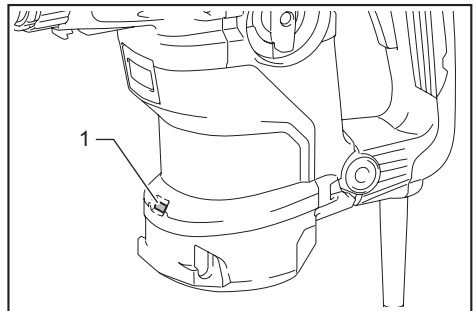
► 1. Switch trigger

Lighting up the front lamp

For HR3011FC, HR3012FC only

CAUTION: Do not look in the light or see the source of light directly.

To turn on the lamp, pull the switch trigger. Release the switch trigger to turn it off.



► 1. Lamp

NOTE: Use a dry cloth to wipe the dirt off the lens of the lamp. Be careful not to scratch the lens of lamp, or it may lower the illumination.

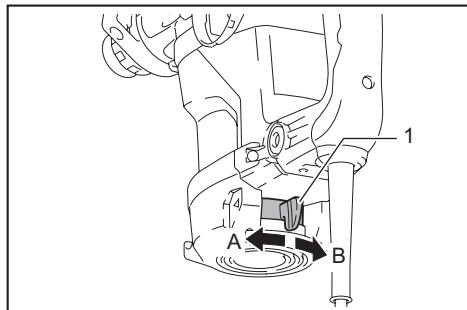
Reversing switch action

CAUTION: Always check the direction of rotation before operation.

CAUTION: Use the reversing switch only after the tool comes to a complete stop. Changing the direction of rotation before the tool stops may damage the tool.

NOTICE: When changing the direction of rotation, be sure to fully set the reversing switch to **A** side or **B** side. Otherwise, when the switch trigger is pulled, the motor may not rotate or the tool may not work properly.

This tool has a reversing switch to change the direction of rotation. Move the reversing switch lever to the position **A** side for clockwise rotation or to the position **B** side for counterclockwise rotation.



► 1. Reversing switch lever



Changing the quick change chuck for SDS-plus

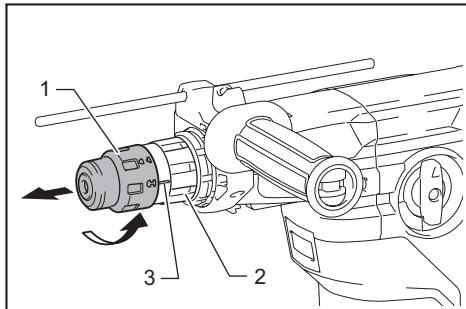
For HR3012FC only

The quick change chuck for SDS-plus can be easily exchanged for the quick change drill chuck.

Removing the quick change chuck for SDS-plus

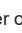


CAUTION: Before removing the quick change chuck for SDS-plus, be sure to remove the bit.

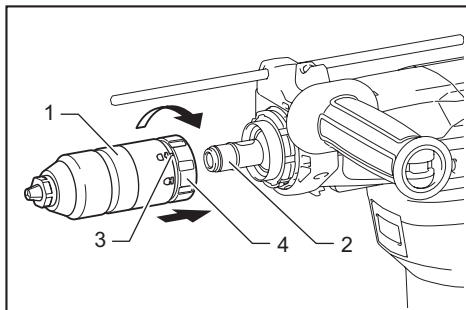
Grasp the change cover of the quick change chuck for SDS-plus and turn in the direction of the arrow until the change cover line moves from the  symbol to the  symbol. Pull forcefully in the direction of the arrow.



► 1. Quick change chuck for SDS-plus 2. Change cover 3. Change cover line

Installing the quick change drill chuck

Check the line of the quick change drill chuck shows the  symbol. Grasp the change cover of the quick change drill chuck and set the line to the  symbol. Place the quick change drill chuck on the spindle of the tool. Grasp the change cover of the quick change drill chuck and turn the change cover line to the  symbol until a click can clearly be heard.




► 1. Quick change drill chuck 2. Spindle 3. Change cover line 4. Change cover

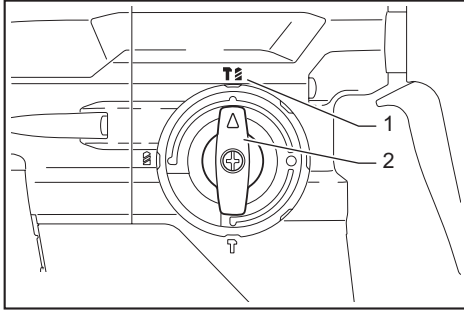
Selecting the action mode

NOTICE: Do not rotate the action mode changing knob when the tool is running. The tool will be damaged.

NOTICE: To avoid rapid wear on the mode change mechanism, be sure that the action mode changing knob is always positively located in one of the three action mode positions.


Rotation with hammering

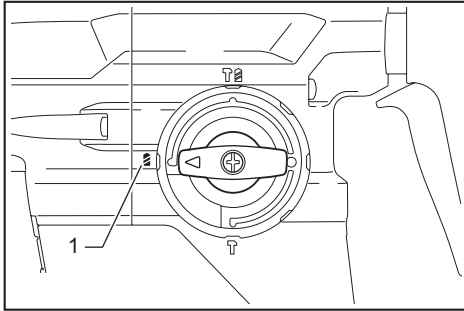
For drilling in concrete, masonry, etc., rotate the action mode changing knob to the  symbol. Use a tungsten-carbide tipped bit (optional accessory).



- 1. Rotation with hammering 2. Action mode changing knob


Rotation only

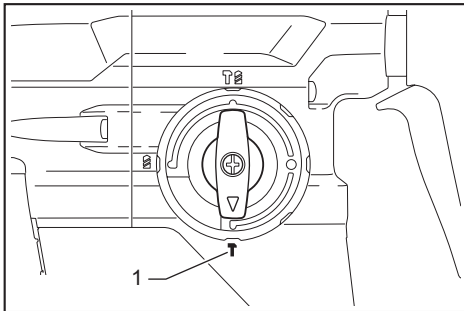
For drilling in wood, metal or plastic materials, rotate the action mode changing knob to the  symbol. Use a twist drill bit or wood drill bit.



- 1. Rotation only

Hammering only

For chipping, scaling or demolition operations, rotate the action mode changing knob to the  symbol. Use a bull point, cold chisel, scaling chisel, etc.



- 1. Hammering only

Torque limiter

NOTICE: As soon as the torque limiter actuates, switch off the tool immediately. This will help prevent premature wear of the tool.

NOTICE: Drill bits such as hole saw, which tend to pinch or catch easily in the hole, are not appropriate for this tool. This is because they will cause the torque limiter to actuate too frequently.

The torque limiter will actuate when a certain torque level is reached. The motor will disengage from the output shaft. When this happens, the drill bit will stop turning.

Electronic function

The tool is equipped with the electronic functions for easy operation.

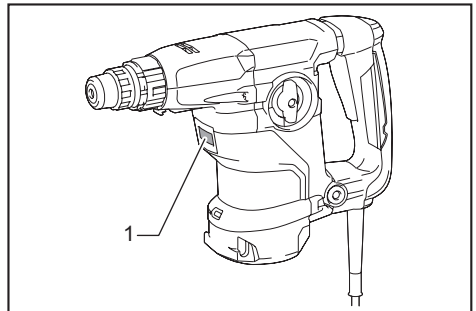
- Constant speed control
The speed control function provides the constant rotation speed regardless of load conditions.

Air duct

For HR3011FC, HR3012FC only

CAUTION: Do not put your finger into the air duct or do not insert any other object into the air duct. Otherwise you may get injured or the tool may get damaged.

The air duct is to connect to the dust collection system. When using the dust collection system, read the section about the dust collection system.



- 1. Air duct

ASSEMBLY

CAUTION: Always be sure that the tool is switched off and unplugged before carrying out any work on the tool.

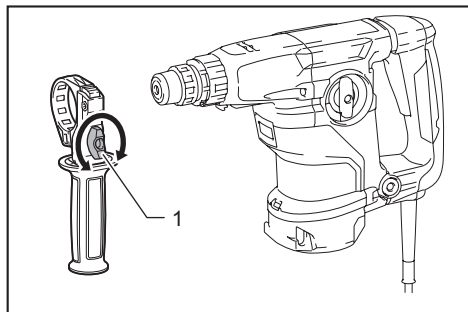
Side grip (auxiliary handle)

CAUTION: Always use the side grip to ensure safe operation.

CAUTION: After installing or adjusting the side grip, make sure that the side grip is firmly secured.

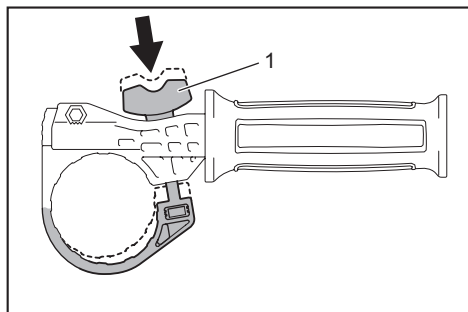
To install the side grip, follow the steps below.

1. Loosen the thumb screw on the side grip.



- 1. Thumb screw

2. Attach the side grip while pressing the thumb screw so that the grooves on the grip fit in the protrusions on the tool barrel.



- 1. Thumb screw

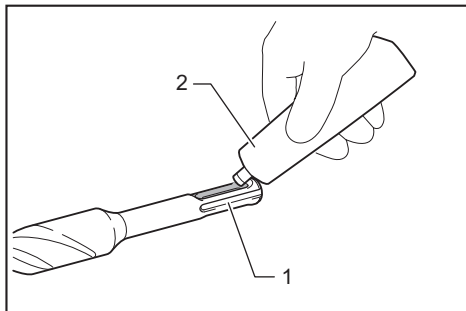
3. Tighten the thumb screw to secure the grip. The grip can be fixed at desired angle.

Grease

Coat the shank end of the drill bit beforehand with a small amount of grease (about 0.5 - 1 g). This chuck lubrication assures smooth action and longer service life.

Installing or removing drill bit

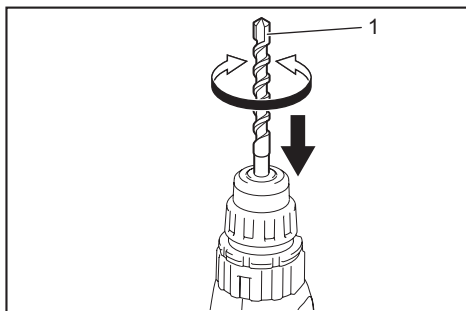
Clean the shank end of the drill bit and apply grease before installing the drill bit.



- 1. Shank end 2. Grease

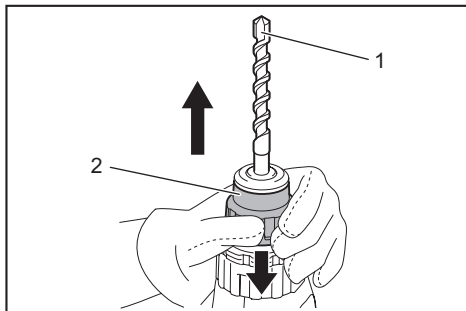
Insert the drill bit into the tool. Turn the drill bit and push it in until it engages.

After installing the drill bit, always make sure that the drill bit is securely held in place by trying to pull it out.



- 1. Drill bit

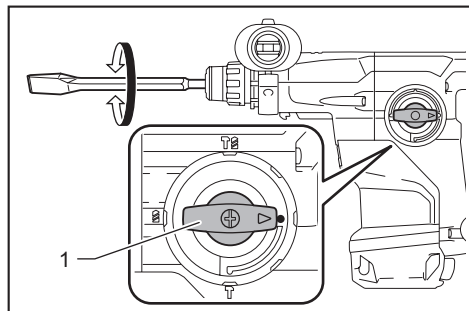
To remove the drill bit, pull the chuck cover down all the way and pull the drill bit out.



- 1. Drill bit 2. Chuck cover

Chisel angle (when chipping, scaling or demolishing)

The chisel can be secured at the desired angle. To change the chisel angle, rotate the action mode changing knob to the O symbol. Turn the chisel to the desired angle.



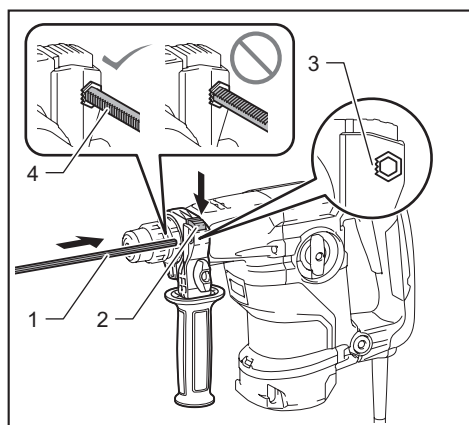
► 1. Action mode changing knob

Rotate the action mode changing knob to the T symbol. Then make sure that the chisel is securely held in place by turning it slightly.

Depth gauge

The depth gauge is convenient for drilling holes of uniform depth.

Press and hold the lock button, and then insert the depth gauge into the hex hole. Make sure that the toothed side of the depth gauge faces the marking.



► 1. Depth gauge 2. Lock button 3. Marking
4. Toothed side

Adjust the depth gauge by moving it back and forth while pressing the lock button. After the adjustment, release the lock button to lock the depth gauge.

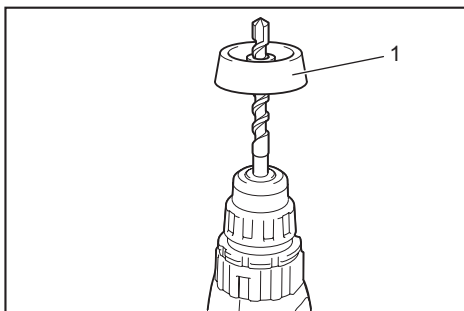
NOTE: Make sure that the depth gauge does not touch the main body of the tool when attaching it.

Dust cup

Optional accessory

Use the dust cup to prevent dust from falling over the tool and on yourself when performing overhead drilling operations. Attach the dust cup to the bit as shown in the figure. The size of bits which the dust cup can be attached to is as follows.

Model	Bit diameter
Dust cup 5	6 mm (1/4") - 14.5 mm (9/16")
Dust cup 9	12 mm (15/32") - 16 mm (5/8")



► 1. Dust cup

Dust cup set

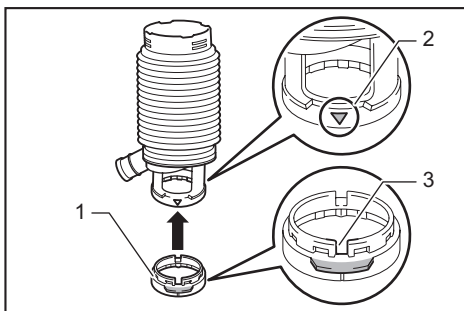
Optional accessory

For Models HR3011FC, HR3001C

NOTICE: When using the dust cup set in HR3011FC, HR3001C, the spacer is also required.

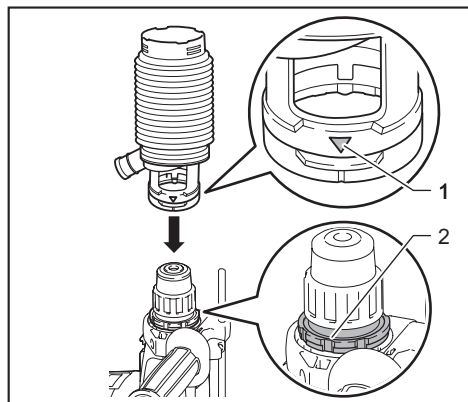
Before installing the dust cup set, remove the bit from the tool if installed.

Attach the spacer to the dust cup set. Δ symbol on the dust cup is aligned with the groove in the spacer.



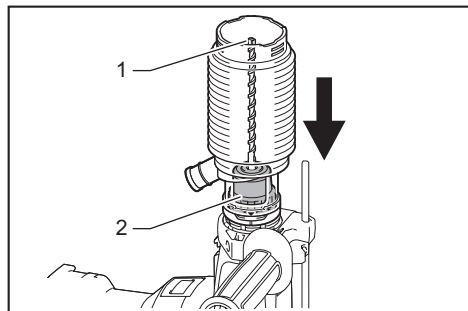
► 1. Spacer 2. Δ symbol 3. Groove

Install the dust cup set with the spacer on the tool so that the Δ symbol on the dust cup is aligned with the groove in the tool.



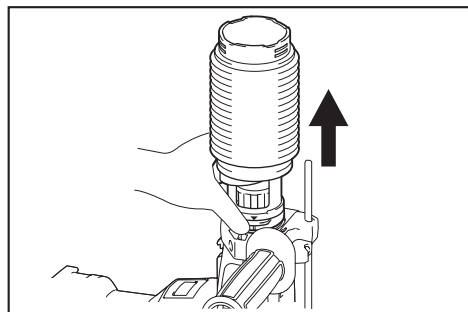
► 1. Δ symbol 2. Groove

To remove the dust cup set, remove the bit while pulling the chuck cover in the direction of the arrow.



► 1. Bit 2. Chuck cover

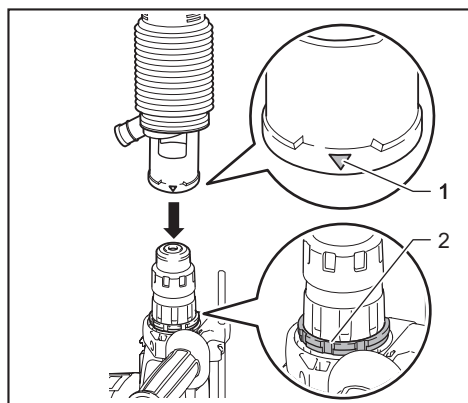
Hold the spacer and pull it out.



For Model HR3012FC

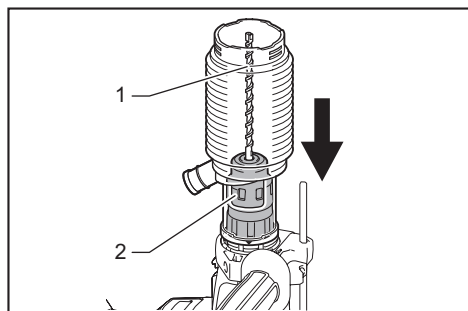
Before installing the dust cup set, remove the bit from the tool if installed.

Install the dust cup set on the tool so that the Δ symbol on the dust cup is aligned with the groove in the tool.



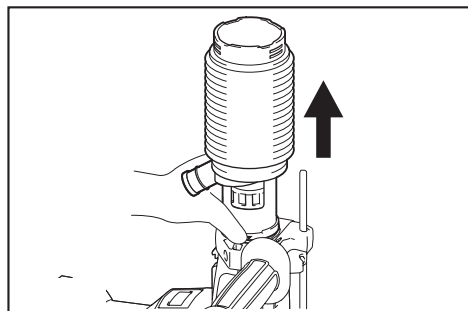
► 1. Δ symbol 2. Groove

To remove the dust cup set, remove the bit while pulling the chuck cover in the direction of the arrow.

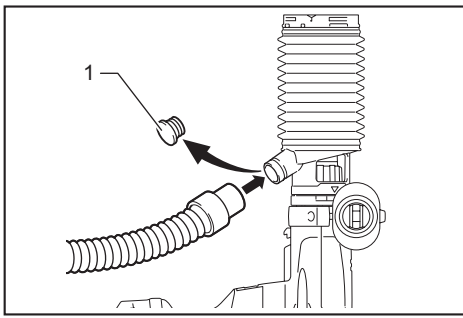


► 1. Bit 2. Chuck cover

Hold the root of dust cup and pull it out.

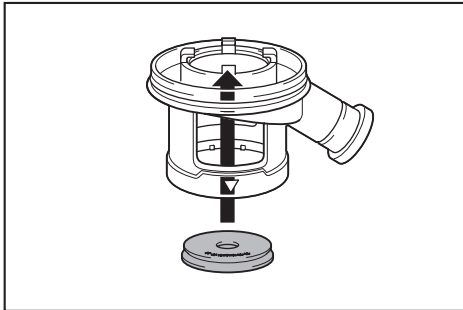


NOTE: If you connect a vacuum cleaner to the dust cup set, remove the dust cap before connecting it.



► 1. Dust cap

NOTE: If the cap comes off from the dust cup, attach it with its printed side facing up so that groove on the cap fits in the inside periphery of the attachment.



Tool hanger

Optional accessory

⚠ WARNING: Do not use damaged tool hanger and screw.

⚠ WARNING: Use the screw provided with the tool hanger only.

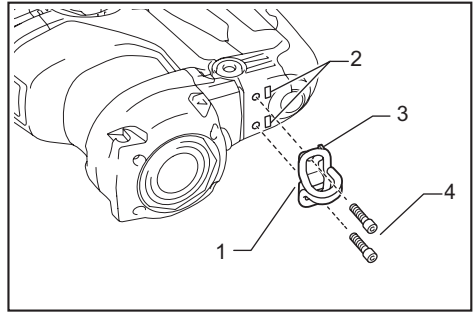
⚠ WARNING: Before using the tool hanger, check for damages, cracks or deformations, and make sure that the screw is tightened.

⚠ CAUTION: Install or remove the tool hanger on a stable table or surface.

The tool hanger is intended for connecting the lanyard (tether strap). To install the tool hanger to the tool, follow the steps below.

1. Disconnect the plug from the power source.
2. Insert the projections of the tool hanger into the holes on the tool.

3. Tighten the screws firmly.



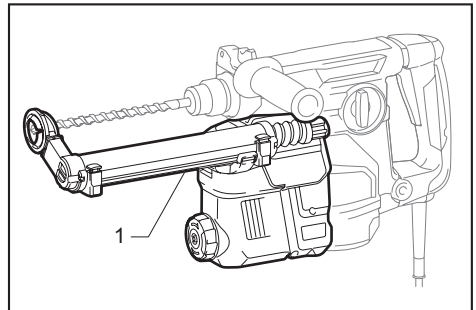
► 1. Tool hanger 2. Hole 3. Projection 4. Screw

DUST COLLECTION SYSTEM

For HR3011FC, HR3012FC only

Optional accessory

The dust collection system is designed to collect dusts effectively when the concrete drilling operation.



► 1. Dust collection system

⚠ CAUTION: Make sure that the tool is switched off and unplugged before carrying out any work on the tool. Failure to do so may result in personal injury from accidental start-up.

⚠ CAUTION: Always attach the filter to the dust collection system. Failure to do so cause dust inhalation.

⚠ CAUTION: Check that the filter is not damaged. Failure to do so may cause dust inhalation.

NOTICE: Do not use the dust collection system for core drilling or chiseling. The dust collection system is intended for drilling only.

NOTICE: Do not use the dust collection system for metal or wood. The dust collection system is intended for concrete only.

NOTICE: Do not use the dust collection system for drilling in wet concrete or use this system in wet environment. Failure to do so may cause malfunction.

NOTE: The dust collection system collects the generated dust at a considerable rate, but not all dust can be collected.

Installing or removing the dust collection system

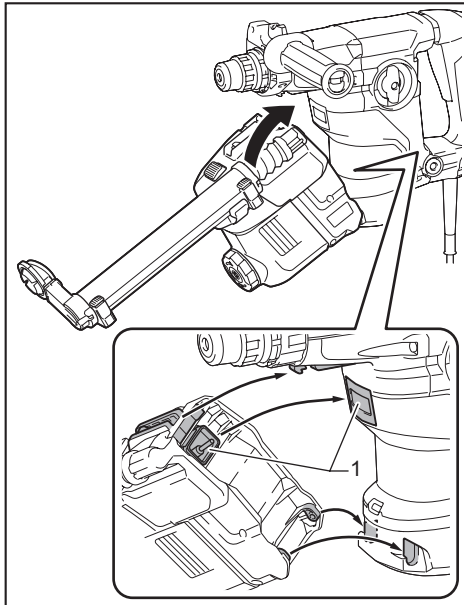
NOTICE: Before installing the dust collection system, clean the joint parts of the tool and the dust collection system.

Foreign matters on the joint parts may cause it difficult to install the dust collection system. Particularly the foreign matters on the electrical interface may cause malfunction.

If any dust remains on the air duct, the dust comes into the tool and causes jam in the airflow or breakage of the tool.

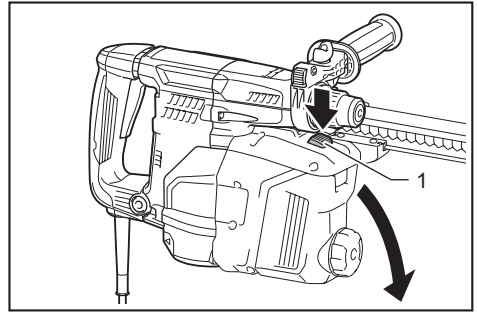
Hook the dust collection system on the tool, and then insert the dust collection system all the way, until it locks in place with a little double click.

After that, make sure that the dust collection system is securely installed.



► 1. Air duct

When removing the dust collection system, press the lock-off button.

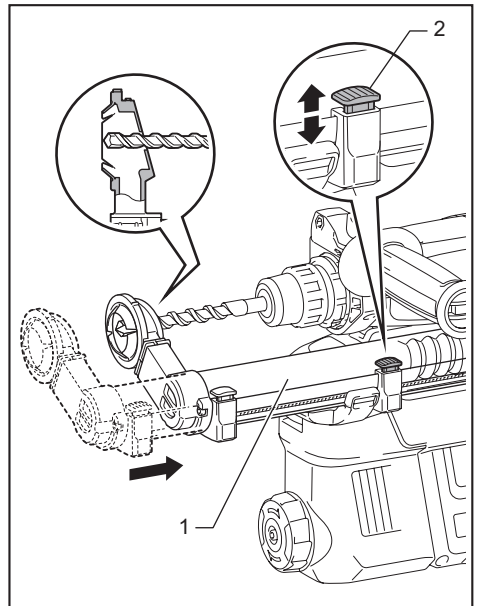


► 1. Lock-off button

Adjusting the nozzle position of the dust collection system

CAUTION: Do not point the nozzle at yourself or others when releasing the nozzle by pushing the guide adjustment button.

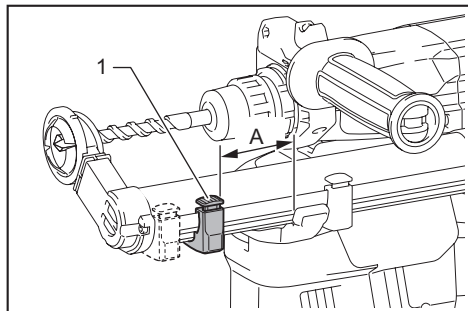
Push in the guide while pushing the guide adjustment button, and then release the guide adjustment button at the desired position.



► 1. Guide 2. Guide adjustment button

Adjusting the drilling depth of the dust collection system

Slide the depth adjustment button to the desired position while pushing it. The distance (A) is the drilling depth.



► 1. Depth adjustment button

Beating dust on the filter

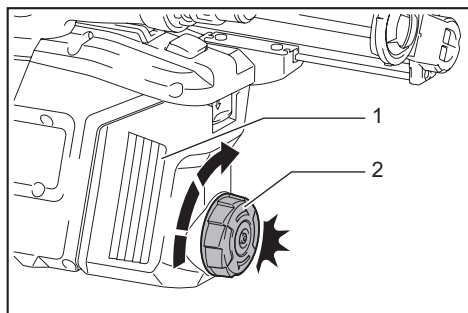
CAUTION: Do not turn the dial on the dust case while the dust case is removed from the dust collection system. Doing so may cause dust inhalation.

CAUTION: Always switch off the tool when turning the dial on the dust case. Turning the dial while the tool is running may result in the loss of control of the tool.

By beating the dust on the filter inside the dust case, you can keep the vacuum efficiency and also reduce the number of times to dispose of the dust.

Turn the dial on the dust case three times after collecting every 50,000 mm³ of dust or when you feel the vacuum performance declined.

NOTE: 50,000 mm³ of dust equivalents to drilling 10 holes of $\varnothing 10$ mm and 14 mm depth (2 holes of $\varnothing 65''$ and $3/8''$ depth).



► 1. Dust case 2. Dial

Disposing of dust

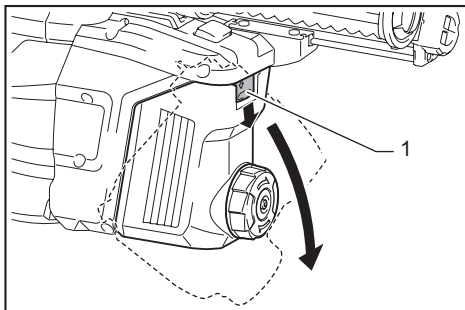
CAUTION: Wear dust mask when disposing of dust.

CAUTION: Empty the dust case regularly before the dust case becomes full. Failure to do so may decrease the dust collection performance, and then cause dust inhalation.

CAUTION: Replace the filter with new one after approximately 200 times of dust fulfillment as a guide. A clogged filter decreases dust collection performance, and then cause dust inhalation.

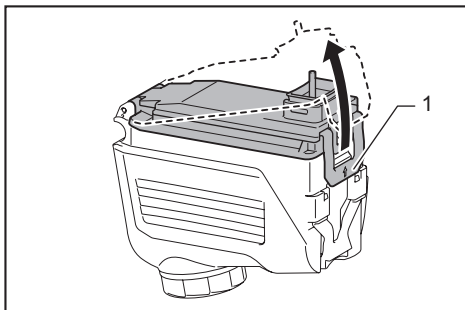
NOTICE: When cleaning the filter, tap the case of the filter gently by hand to remove dust. Do not tap the filter directly; touch the filter with brush or similar; or blow compressed air on the filter. Doing so may damage the filter.

1. Remove the dust case while pressing down the lever of the dust case.



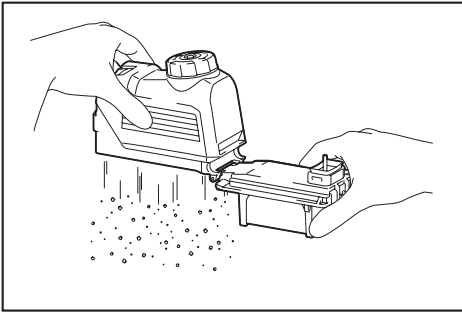
► 1. Lever

2. Open the cover of the dust case.



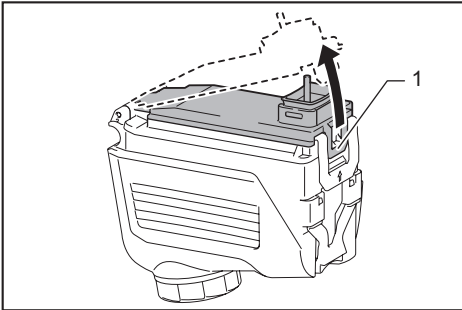
► 1. Cover

3. Dispose of the dust, and then clean the filter.



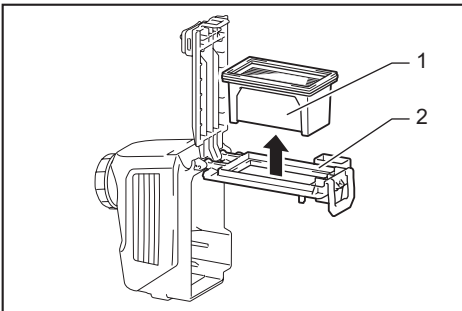
Replacing filter of dust case

1. Remove the dust case while pressing down the lever of the dust case. (Refer to the section for disposing of dust.)
2. Open the filter cover of the dust case.



- 1. Filter cover

3. Remove the filter from the filter case.

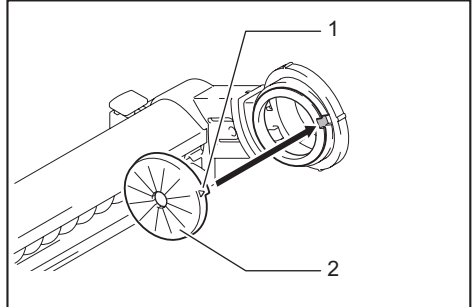


- 1. Filter 2. Filter case

4. Attach a new filter to the filter case, and then attach the filter cover.
5. Close the cover of the dust case, and then attach the dust case to the dust collection system.

Replacing sealing cap

If the sealing cap is worn out, the performance of the dust collection decreases. Replace it if it is worn out. Remove the sealing cap, and then attach a new one with its protrusion facing upward.



- 1. Protrusion 2. Sealing cap

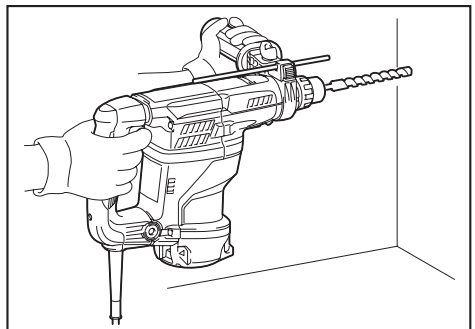
OPERATION

CAUTION: Always use the side grip (auxiliary handle) and firmly hold the tool by both side grip and switch handle during operations.

CAUTION: Always make sure that the work-piece is secured before operation.


CAUTION: Do not pull the tool out forcibly even the bit gets stuck. Loss of control may cause injury.

CAUTION: For HR3011FC, HR3012FC only
Before using the dust collection system with the tool, read the section about the dust collection system.



Hammer drilling operation

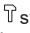
CAUTION: There is tremendous and sudden twisting force exerted on the tool/drill bit at the time of hole break-through, when the hole becomes clogged with chips and particles, or when striking reinforcing rods embedded in the concrete. **Always use the side grip (auxiliary handle) and firmly hold the tool by both side grip and switch handle during operations.** Failure to do so may result in the loss of control of the tool and potentially severe injury.

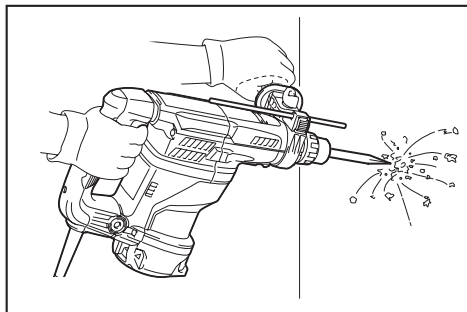
Set the action mode changing knob to the  symbol. Position the drill bit at the desired location for the hole, then pull the switch trigger. Do not force the tool. Light pressure gives best results. Keep the tool in position and prevent it from slipping away from the hole.

Do not apply more pressure when the hole becomes clogged with chips or particles. Instead, run the tool at an idle, then remove the drill bit partially from the hole. By repeating this several times, the hole will be cleaned out and normal drilling may be resumed.

NOTE: Eccentricity in the drill bit rotation may occur while operating the tool with no load. The tool automatically centers itself during operation. This does not affect the drilling precision.

Chipping/Scaling/Demolition

Set the action mode changing knob to the  symbol. Hold the tool firmly with both hands. Turn the tool on and apply slight pressure on the tool so that the tool will not bounce around, uncontrolled. Pressing very hard on the tool will not increase the efficiency.



Drilling in wood or metal

CAUTION: Hold the tool firmly and exert care when the drill bit begins to break through the workpiece. There is a tremendous force exerted on the tool/drill bit at the time of hole break through.

CAUTION: A stuck drill bit can be removed simply by setting the reversing switch to reverse rotation in order to back out. However, the tool may back out abruptly if you do not hold it firmly.

CAUTION: Always secure workpieces in a vise or similar hold-down device.

NOTICE: Never use "rotation with hammering" when the drill chuck is installed on the tool. The drill chuck may be damaged. Also, the drill chuck will come off when reversing the tool.

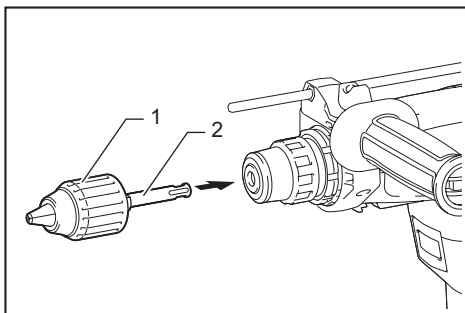
NOTICE: Pressing excessively on the tool will not speed up the drilling. In fact, this excessive pressure will only serve to damage the tip of your drill bit, decrease the tool performance and shorten the service life of the tool.

Set the action mode changing knob to the  symbol.

For Models HR3011FC, HR3001C

Optional accessory

Attach the chuck adapter to a keyless drill chuck to which 1/2"-20 size screw can be installed, and then install them to the tool. When installing it, refer to the section "Installing or removing drill bit".

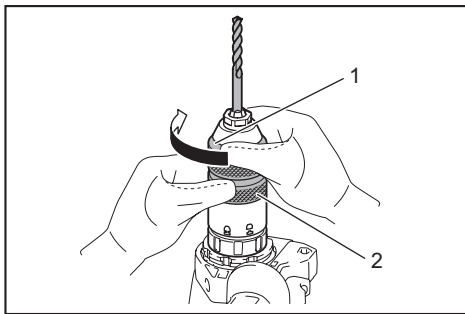


► 1. Keyless drill chuck 2. Chuck adapter

For Model HR3012FC

Use the quick change drill chuck as standard equipment. When installing it, refer to "changing the quick change chuck for SDS-plus".

Hold the ring and turn the sleeve counterclockwise to open the chuck jaws. Place the bit in the chuck as far as it will go. Hold the ring firmly and turn the sleeve clockwise to tighten the chuck.

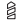


► 1. Sleeve 2. Ring

To remove the bit, hold the ring and turn the sleeve counterclockwise.

Diamond core drilling

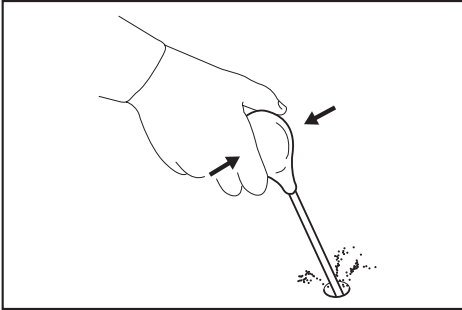
NOTICE: If performing diamond core drilling operations using "rotation with hammering" action, the diamond core bit may be damaged.

When performing diamond core drilling operations, always set the action mode changing knob to the  position to use "rotation only" action.

Blow-out bulb

Optional accessory

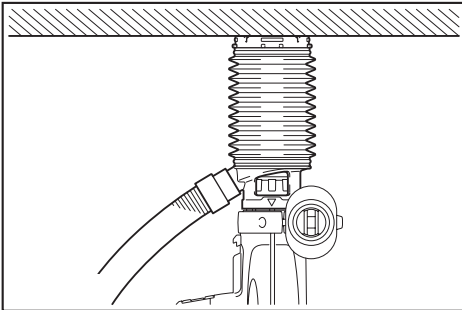
After drilling the hole, use the blow-out bulb to clean the dust out of the hole.



Using dust cup set

Optional accessory

Fit the dust cup set against the ceiling when operating the tool.



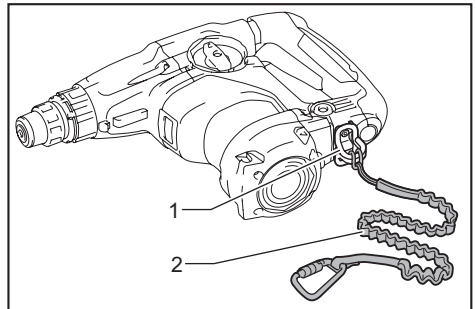
NOTICE: Do not use the dust cup set when drilling in metal or similar. It may damage the dust cup set due to the heat produced by small metal dust or similar.

NOTICE: Do not install or remove the dust cup set with the drill bit installed in the tool. It may damage the dust cup set and cause dust leak.

Connecting lanyard (tether strap) to tool hanger

⚠ Safety warnings specific for use at height
Read all safety warnings and instructions. Failure to follow the warnings and instructions may result in serious injury.

1. **Always keep the tool tethered when working "at height".** Maximum lanyard length is 2 m (6.5 ft). The maximum permissible fall height for lanyard (tether strap) must not exceed 2 m (6.5 ft).
2. **Use only with lanyards appropriate for this tool type and rated for at least 7.5 kg (16.6 lbs).**
3. **Do not anchor the tool lanyard to anything on your body or on movable components. Anchor the tool lanyard to a rigid structure that can withstand the forces of a dropped tool.**
4. **Make sure the lanyard is properly secured at each end prior to use.**
5. **Inspect the tool and lanyard before each use for damage and proper function (including fabric and stitching). Do not use if damaged or not functioning properly.**
6. **Do not wrap lanyards around or allow them to come in contact with sharp or rough edges.**
7. **Fasten the other end of the lanyard outside the working area so that a falling tool is held securely.**
8. **Attach the lanyard so that the tool will move away from the operator if it falls.** Dropped tools will swing on the lanyard, which could cause injury or loss of balance.
9. **Do not use near moving parts or running machinery.** Failure to do so may result in a crush or entanglement hazard.
10. **Do not carry the tool by the attachment device or the lanyard.**
11. **Only transfer the tool between your hands while you are properly balanced.**
12. **Do not attach lanyards to the tool in a way that keeps switches or trigger-lock (if supplied) from operating properly.**
13. **Avoid getting tangled in the lanyard.**
14. **Keep lanyard away from the drilling area of the tool.**
15. **Use multi-action and screw gate type carabineers. Do not use single action spring clip carabineers.**
16. **In the event the tool is dropped, it must be tagged and removed from service, and should be inspected by a Makita Factory or Authorized Service Center.**



► 1. Tool hanger 2. Lanyard (tether strap)

MAINTENANCE

⚠ CAUTION: Always be sure that the tool is switched off and unplugged before attempting to perform inspection or maintenance.

NOTICE: Never use gasoline, benzine, thinner, alcohol or the like. Discoloration, deformation or cracks may result.

To maintain product SAFETY and RELIABILITY, repairs, any other maintenance or adjustment should be performed by Makita Authorized or Factory Service Centers, always using Makita replacement parts.

OPTIONAL ACCESSORIES

⚠ CAUTION: These accessories or attachments are recommended for use with your Makita tool specified in this manual. The use of any other accessories or attachments might present a risk of injury to persons. Only use accessory or attachment for its stated purpose.

If you need any assistance for more details regarding these accessories, ask your local Makita Service Center.

- Carbide-tipped drill bits (SDS-Plus carbide-tipped bits)
- Core bit
- Bull point
- Diamond core bit
- Cold chisel
- Scaling chisel
- Grooving chisel
- Chuck adapter
- Keyless drill chuck
- Bit grease
- Depth gauge
- Blow-out bulb
- Dust cup
- Dust cup set
- Spacer (for HR3011FC, HR3001C)
- Dust collection system (for HR3011FC, HR3012FC)
- Safety goggles
- Tool hanger

NOTE: Some items in the list may be included in the tool package as standard accessories. They may differ from country to country.

MAKITA LIMITED WARRANTY

Please refer to the annexed warranty sheet for the most current warranty terms applicable to this product. If annexed warranty sheet is not available, refer to the warranty details set forth at below website for your respective country.

United States of America: www.makitatools.com

Canada: www.makita.ca

Other countries: www.makita.com

SPÉCIFICATIONS

Modèle :		HR3011FC	HR3012FC	HR3001C
Capacités	Béton	30 mm (1-3/16")		
	Trépan	80 mm (3-1/8")		
	Trépan diamanté (type sec)	80 mm (3-1/8")		
	Acier	13 mm (1/2")		
	Bois	32 mm (1-1/4")		
Vitesse à vide		0 - 840 /min		
Frappes par minute		0 - 4 500 /min		
Longueur totale		369 mm (14-1/2")	386 mm (15-1/4")	369 mm (14-1/2")
Poids net		4,4 - 4,8 kg (9,7 - 10,6 lbs)	4,5 - 4,7 kg (9,9 - 10,4 lbs)	4,1 - 4,5 kg (9,0 - 9,9 lbs)
Classe de sécurité		□/II		

Accessoire en option

Modèle :	DX10 (pour HR3011FC)	DX11 (pour HR3012FC)
Pièce à travailler et mode de travail applicables	pour percer dans le béton uniquement (pas pour le métal ou le bois, et pas pour percer avec un trépan diamanté ou pour buriner)	
Capacité d'aspiration	0,35 l/min	
Course	Jusqu'à 190 mm (7-1/2")	
Embout-mèche approprié	Jusqu'à 265 mm (10-3/8")	
Poids net	1,2 kg (2,6 lbs)	

- Étant donné l'évolution constante de notre programme de recherche et de développement, les spécifications contenues dans ce manuel sont sujettes à modification sans préavis.
- Les spécifications peuvent varier suivant les pays.
- Le poids peut varier suivant les accessoires. La plus légère et la plus lourde des combinaisons, selon la procédure EPTA 01/2014, sont indiquées dans le tableau.

CONSIGNES DE SÉCURITÉ

Consignes de sécurité générales pour outils électriques

⚠ MISE EN GARDE : Lisez toutes les consignes de sécurité et toutes les instructions. L'ignorance des mises en garde et des instructions comporte un risque de choc électrique, d'incendie et/ou de blessure grave.

Conservez toutes les mises en garde et instructions pour référence future.

Le terme « outil électrique » qui figure dans les avertissements fait référence à un outil électrique branché sur une prise de courant (par un cordon d'alimentation) ou alimenté par batterie (sans fil).

Sécurité de la zone de travail

1. **Maintenez la zone de travail propre et bien éclairée.** Les zones de travail encombrées ou sombres ouvrent grande la porte aux accidents.

2. **N'utilisez pas les outils électriques dans les atmosphères explosives, par exemple en présence de liquides, gaz ou poussières inflammables.** Les outils électriques produisent des étincelles au contact desquelles la poussière ou les vapeurs peuvent s'enflammer.
3. **Assurez-vous qu'aucun enfant ou curieux ne s'approche pendant que vous utilisez un outil électrique.** Vous risquez de perdre la maîtrise de l'outil si votre attention est détournée.

Sécurité en matière d'électricité

1. **Les fiches d'outil électrique sont conçues pour s'adapter parfaitement aux prises de courant. Ne modifiez jamais la fiche de quelque façon que ce soit. N'utilisez aucun adaptateur de fiche sur les outils électriques avec mise à la terre.** En ne modifiant pas les fiches et en les insérant dans des prises de courant pour lesquelles elles ont été conçues, vous réduirez les risques de choc électrique.
2. **Évitez tout contact corporel avec les surfaces mises à la terre, telles que tuyaux, radiateurs, cuisinières et réfrigérateurs.** Le risque de choc électrique est plus élevé si votre corps se trouve mis à la terre.

3. **N'exposez pas les outils électriques à la pluie ou à l'eau.** La présence d'eau dans un outil électrique augmente le risque de choc électrique.
4. **Ne maltraitez pas le cordon. N'utilisez jamais le cordon pour transporter, tirer ou débrancher l'outil électrique. Maintenez le cordon à l'écart des sources de chaleur, de l'huile, des objets à bords tranchants et des pièces en mouvement.** Le risque de choc électrique est plus élevé lorsque les cordons sont endommagés ou enchevêtrés.
5. **Lorsque vous utilisez un outil électrique à l'extérieur, utilisez un cordon prolongateur conçu pour l'usage extérieur.** Les risques de choc électrique est moindre lorsqu'un cordon conçu pour l'usage extérieur est utilisé.
6. **Si vous devez utiliser un outil électrique dans un endroit humide, utilisez une source d'alimentation protégée par un disjoncteur de fuite à la terre.** L'utilisation d'un disjoncteur de fuite à la terre réduit le risque de choc électrique.

Sécurité personnelle

1. **Restez alerte, attentif à vos mouvements et faites preuve de bon sens lorsque vous utilisez un outil électrique. N'utilisez pas les outils électriques si vous êtes fatigué ou avez pris une drogue, de l'alcool ou un médicament.** Un moment d'inattention pendant l'utilisation d'un outil électrique peut entraîner une grave blessure.
2. **Portez des dispositifs de protection personnelle. Portez toujours une protection oculaire.** Les risques de blessure seront moins élevés si vous utilisez des dispositifs de protection tels qu'un masque anti-poussière, des chaussures à semelle antidérapante, une coiffure résistante ou une protection d'oreilles.
3. **Évitez les démarrages accidentels. Assurez-vous que l'interrupteur est en position d'arrêt avant de brancher l'outil à la prise de courant et/ou au bloc-piles, et avant de prendre ou de transporter l'outil.** Vous ouvrez la porte aux accidents si vous transportez les outils électriques avec le doigt sur l'interrupteur ou si vous les branchez alors que l'interrupteur est en position de marche.
4. **Retirez toute clé de réglage ou de serrage avant de mettre l'outil électrique sous tension.** Toute clé laissée en place sur une pièce rotative de l'outil électrique peut entraîner une blessure.
5. **Ne vous étirez pas exagérément. Assurez-vous d'une bonne prise au sol et d'un bon équilibre en tout temps.** Cela vous permettra d'avoir une meilleure maîtrise de l'outil électrique dans les situations imprévues.
6. **Portez des vêtements adéquats. Ne portez ni vêtements amples ni bijoux. Vous devez maintenir cheveux, vêtements et gants à l'écart des pièces en mouvement.** Les pièces en mouvement peuvent happer les vêtements amples, les bijoux et les cheveux longs.
7. **Si des accessoires sont fournis pour raccorder un appareil d'aspiration et de collecte de la poussière, assurez-vous qu'ils sont correctement raccordés et qu'ils sont utilisés de manière adéquate.** L'utilisation d'un appareil de collecte permet de réduire les risques liés à la présence de poussière dans l'air.

Utilisation et entretien des outils électriques

1. **Ne forcez pas l'outil électrique. Utilisez l'outil électrique adéquat suivant le type de travail à effectuer.** Si vous utilisez l'outil électrique adéquat et respectez le régime pour lequel il a été conçu, il effectuera un travail de meilleure qualité et plus sécuritaire.
2. **N'utilisez pas l'outil électrique s'il n'est pas possible de l'allumer et de l'éteindre avec son interrupteur.** Un outil électrique dont l'interrupteur est défectueux représente un danger et doit être réparé.
3. **Débranchez la fiche de la source d'alimentation et/ou retirez le bloc-piles de l'outil électrique avant d'effectuer tout réglage, de remplacer un accessoire ou de ranger l'outil électrique.** De telles mesures préventives réduisent les risques de démarrage accidentel de l'outil électrique.
4. **Après l'utilisation d'un outil électrique, rangez-le hors de portée des enfants et ne laissez aucune personne l'utiliser si elle n'est pas familiarisée avec l'outil électrique ou les présentes instructions d'utilisation.** Les outils électriques représentent un danger entre les mains de personnes qui n'en connaissent pas le mode d'utilisation.
5. **Veillez à l'entretien des outils électriques. Assurez-vous que les pièces mobiles ne sont pas désalignées ou coincées, qu'aucune pièce n'est cassée et que l'outil électrique n'a subi aucun dommage affectant son bon fonctionnement. Le cas échéant, faites réparer l'outil électrique avant de l'utiliser.** De nombreux accidents sont causés par des outils électriques mal entretenus.
6. **Maintenez les outils tranchants bien aiguisés et propres.** Un outil tranchant dont l'entretien est effectué correctement et dont les bords sont bien aiguisés risquera moins de se coincer et sera plus facile à maîtriser.
7. **Utilisez l'outil électrique, ses accessoires, ses embouts, etc., en respectant les présentes instructions, en tenant compte des conditions de travail et du type de travail à effectuer.** L'utilisation d'un outil électrique pour d'autres usages que ceux prévus peut entraîner une situation dangereuse.

Réparation

1. **Faites réparer votre outil électrique par un réparateur qualifié qui utilise des pièces de rechange identiques aux pièces d'origine.** Le maintien de la sûreté de l'outil électrique sera ainsi assuré.
2. **Suivez les instructions de lubrification et de remplacement des accessoires.**
3. **Maintenez les poignées de l'outil sèches, propres et exemptes d'huile ou de graisse.**

UTILISEZ UN CORDON PROLONGATEUR APPROPRIÉ. Assurez-vous que votre cordon prolongateur est en bonne condition. Lorsque vous utilisez un cordon prolongateur, assurez-vous qu'il est assez robuste pour transporter le courant exigé par le produit. Un cordon trop petit entraînera une baisse dans la tension composée, ce qui causera une perte d'énergie et une surchauffe. Le tableau 1 indique la dimension de cordon à utiliser, en fonction de la longueur du cordon et de l'intensité nominale figurant sur la plaque signalétique. En cas de doute, utilisez un calibre plus robuste. Plus le numéro de calibre est bas, plus le cordon est robuste.

Tableau 1 : Calibre minimum du cordon

Intensité nominale		Volts		Longueur totale du cordon en pieds			
		120 V		25 ft.	50 ft.	100 ft.	150 ft.
		220 V - 240 V		50 ft.	100 ft.	200 ft.	300 ft.
Plus de	Pas plus de	Calibre américain des fils					
0 A	6 A	-	18	16	16	14	
6 A	10 A		18	16	14	12	
10 A	12 A		16	16	14	12	
12 A	16 A		14	12	Non recommandé		

CONSIGNES DE SÉCURITÉ POUR MARTEAU PERFORATEUR

- Portez des protections d'oreilles.** L'exposition au bruit peut entraîner des lésions de l'ouïe.
- Utilisez la ou les poignées auxiliaires si elles sont fournies avec l'outil.** Toute perte de maîtrise comporte un risque de blessure.
- Tenez l'outil électrique par ses surfaces de prise isolées pendant toute opération où l'accessoire de coupe pourrait venir en contact avec un câblage dissimulé ou avec son propre cordon.** En cas de contact de l'accessoire de coupe avec un conducteur sous tension, les pièces métalliques à découvert de l'outil peuvent devenir sous tension et transmettre un choc électrique à l'utilisateur.
- Portez une coiffure rigide (un casque de sécurité), des lunettes de sécurité et/ou un écran facial. Les lunettes ordinaires et les lunettes de soleil NE sont PAS des lunettes de sécurité. Il est aussi vivement recommandé de porter un masque antipoussières et des gants à rembourrage épais.**
- Avant l'utilisation, assurez-vous que l'embout est bien fixé en place.**
- Dans des conditions normales d'utilisation, l'outil est conçu pour produire des vibrations. Les vis peuvent se desserrer facilement et causer une panne ou un accident. Avant l'utilisation, vérifiez soigneusement le serrage des vis.**
- Par temps froid ou lorsque l'outil est resté inutilisé pendant une longue période, faites-le réchauffer pendant un moment en le faisant tourner à vide. Cela réchauffera le lubrifiant. Sans un réchauffement adéquat, le martelage s'effectue difficilement.**
- Pensez toujours à prendre pied solidement. Assurez-vous qu'il n'y a personne plus bas lorsque vous utilisez l'outil en position élevée.**
- Tenez l'outil fermement à deux mains.**
- Gardez les mains éloignées des pièces en mouvement.**
- Ne quittez pas l'outil pendant qu'il tourne. N'utilisez l'outil qu'une fois que vous l'avez bien en main.**
- Ne pointez l'outil vers personne autour de vous pendant l'utilisation. L'embout pourrait être éjecté et blesser quelqu'un grièvement.**
- Ne touchez pas l'embout, ni les pièces situées près de l'embout, ni la pièce immédiatement après l'utilisation ; ils peuvent être extrêmement chauds et brûler votre peau.**



- Certains matériaux contiennent des produits chimiques qui peuvent être toxiques. Prenez les précautions nécessaires pour éviter l'inhalation de ces poussières ou leur contact avec la peau. Conformez-vous aux consignes de sécurité du fournisseur du matériau.**
- Ne touchez pas la fiche d'alimentation avec les mains mouillées.**

CONSERVEZ CES INSTRUCTIONS.

⚠ MISE EN GARDE : NE vous laissez PAS tromper (au fil d'une utilisation répétée) par un sentiment d'aisance ou de familiarité avec le produit en négligeant les consignes de sécurité qui accompagnent le produit. UNE UTILISATION INCORRECTE ou le non-respect des règles de sécurité énoncées dans le présent manuel d'instructions peut provoquer des blessures graves.

Symboles

Les symboles utilisés pour l'outil sont indiqués ci-dessous.

V	volts
A	ampères
Hz	hertz
~	courant alternatif
n _o	vitesse à vide
	construction, catégorie II
.../min r/min	tours ou alternances par minute
	nombre de frappes

Alimentation

L'outil ne doit être branché que sur une source d'alimentation de la même tension que celle indiquée sur la plaque signalétique, et il ne peut être utilisé qu'avec un courant alternatif monophasé.

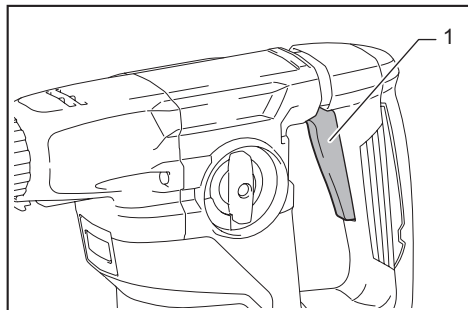
DESCRIPTION DU FONCTIONNEMENT

⚠ ATTENTION : Assurez-vous toujours que l'outil est hors tension et débranché avant de l'ajuster ou de vérifier son fonctionnement.

Interrupteur

⚠ ATTENTION : Avant de brancher l'outil, assurez-vous toujours que la gâchette fonctionne correctement et revient en position d'arrêt une fois relâchée.

Pour démarrer l'outil, appuyez simplement sur la gâchette. La vitesse de l'outil augmente à mesure que l'on accroît la pression sur la gâchette. Pour arrêter, libérez la gâchette.



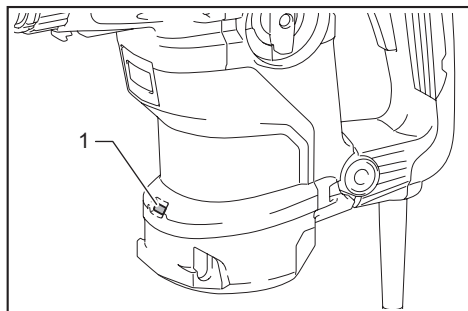
► 1. Gâchette

Allumage de la lampe avant

Pour HR3011FC HR3012FC uniquement

⚠ ATTENTION : Évitez de regarder directement le faisceau lumineux ou sa source.

Pour allumer la lampe, appuyez sur la gâchette. Pour l'éteindre, relâchez la gâchette.



► 1. Lampe

NOTE : Utilisez un linge sec pour enlever les poussières sur la lentille de la lampe. Prenez garde de rayer la lentille de la lampe, car cela peut affecter son intensité d'éclairage.

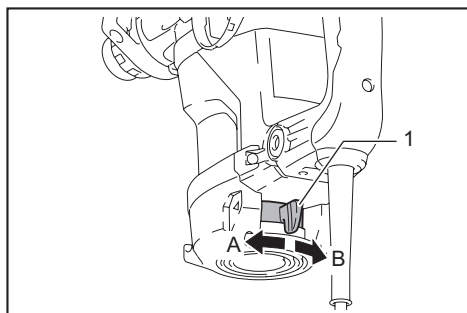
Fonctionnement de l'inverseur

⚠ ATTENTION : Vérifiez toujours le sens de rotation avant de mettre l'outil en marche.

⚠ ATTENTION : N'actionnez l'inverseur qu'une fois l'outil complètement arrêté. Si vous changez le sens de rotation avant l'arrêt de l'outil, vous risquez de l'endommager.

AVIS : Lorsque vous changez le sens de rotation, veillez à mettre l'inverseur complètement du côté A ou du côté B. Autrement, le moteur risque de ne pas tourner ou l'outil de mal fonctionner lorsque vous appuyez sur la gâchette.

Cet outil possède un inverseur qui permet de changer le sens de la rotation. Déplacez le levier inverseur sur la position A pour une rotation dans le sens des aiguilles d'une montre, ou sur la position B pour une rotation dans le sens contraire des aiguilles d'une montre.



► 1. Levier inverseur



Remplacement du mandrin à changement rapide pour SDS-plus

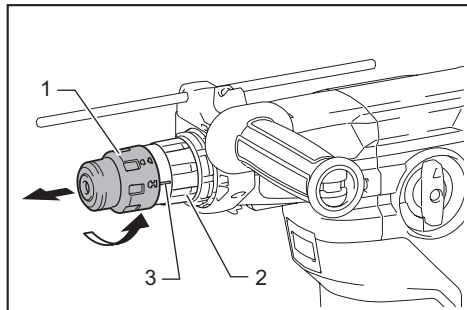
Pour HR3012FC uniquement

Le mandrin à changement rapide pour SDS-plus peut être facilement remplacé par le mandrin de perceuse à changement rapide.

Retrait du mandrin à changement rapide pour SDS-plus




ATTENTION : Avant de retirer le mandrin à changement rapide pour SDS-plus, veillez à retirer l'embout.

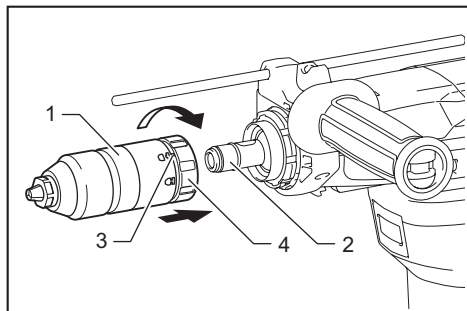
Saisissez le couvercle de changement du mandrin à changement rapide pour SDS-plus, et tournez-le dans le sens de la flèche jusqu'à ce que la ligne de couvercle de changement se déplace du symbole  au symbole . Tirez fermement dans le sens de la flèche.



- ▶ 1. Mandrin à changement rapide pour SDS-plus
- ▶ 2. Couvercle de changement
- ▶ 3. Ligne de couvercle de changement

Pose du mandrin de perceuse à changement rapide

Vérifiez que la ligne du mandrin de perceuse à changement rapide indique le symbole . Saisissez le couvercle de changement du mandrin de perceuse à changement rapide et mettez la ligne sur le symbole . Placez le mandrin de perceuse à changement rapide sur l'axe de l'outil. Saisissez le couvercle de changement du mandrin de perceuse à changement rapide, et tournez la ligne de couvercle de changement vers le symbole  jusqu'à ce qu'un bruit de dé clic soit émis de manière nettement audible.




- ▶ 1. Mandrin de perceuse à changement rapide
- ▶ 2. Axe
- ▶ 3. Ligne de couvercle de changement
- ▶ 4. Couvercle de changement

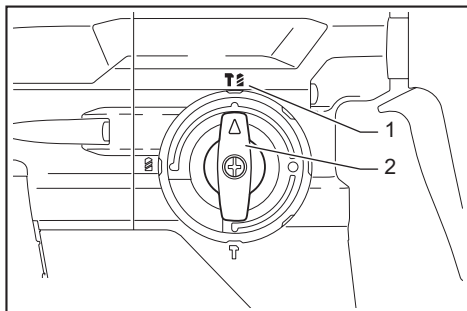
Sélection du mode de fonctionnement

AVIS : Ne tournez pas le bouton de changement de mode pendant que l'outil tourne. L'outil serait endommagé.

AVIS : Pour éviter que le mécanisme de changement de mode ne s'use rapidement, vous devez toujours vous assurer que le bouton de changement de mode est placé avec exactitude sur une des trois positions de mode.


Rotation avec percussion

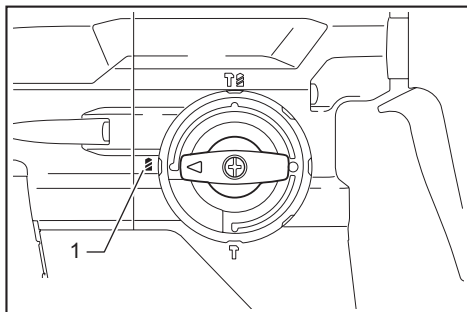
Pour percer dans le béton, la maçonnerie, etc., tournez le bouton de changement de mode jusqu'au symbole . Utilisez un embout à pointe de carbure de tungstène (accessoire en option).



- ▶ 1. Rotation avec percussion
- ▶ 2. Bouton de changement de mode


Rotation uniquement

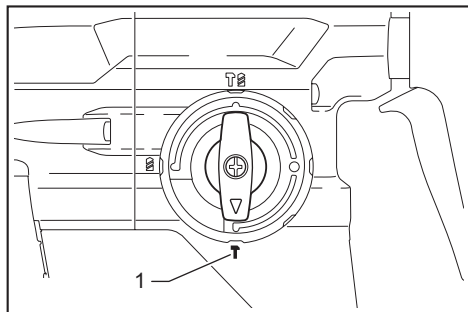
Pour percer dans le bois, le métal ou le plastique, tournez le bouton de changement de mode jusqu'au symbole . Utilisez un embout-mèche hélicoïdal ou un embout-mèche à bois.



- ▶ 1. Rotation uniquement

Percussion uniquement

Pour le burinage, l'écaillage ou la démolition, tournez le bouton de changement de mode jusqu'au symbole . Utilisez un pic, un ciseau à froid, un ciseau à écailler, etc.



► 1. Percussion uniquement

Limiteur de couple

AVIS : Mettez l'outil hors tension dès que le limiteur de couple se déclenche. Cela aidera à éviter l'usure trop rapide de l'outil.

AVIS : Cet outil n'est pas conçu pour l'utilisation des embouts-mèches de type scie cloche, car ils ont tendance à se coincer facilement dans le trou pendant le perçage. Cela cause donc le déclenchement trop fréquent du limiteur de couple.

Le limiteur de couple s'active lorsqu'un certain niveau de couple est atteint. L'embrayage se met alors à patiner. Dès que cela se produit, l'embout-mèche arrête de tourner.

Fonctions électroniques

L'outil est doté de fonctions électroniques qui facilitent son utilisation.

- Commande de vitesse constante
La fonction de commande de vitesse procure une vitesse de rotation constante, quelle que soit la charge.

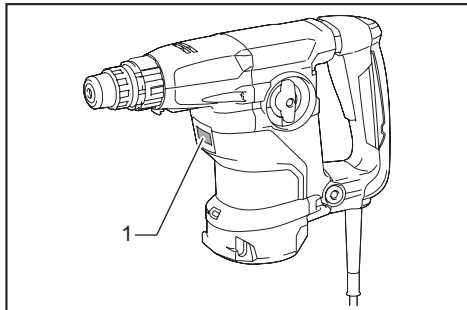
Conduit d'air

Pour HR3011FC HR3012FC uniquement

ATTENTION : Ne mettez pas le doigt dans le conduit d'air, et n'y insérez aucun objet. Autrement, vous risquez de vous blesser ou d'endommager l'outil.

Le conduit d'air sert à connecter l'outil au dispositif de collecte des poussières.

Lors de l'utilisation du dispositif de collecte des poussières, veuillez lire la section sur le dispositif de collecte des poussières.



► 1. Conduit d'air

ASSEMBLAGE

ATTENTION : Avant d'effectuer toute intervention sur l'outil, assurez-vous toujours qu'il est hors tension et débranché.

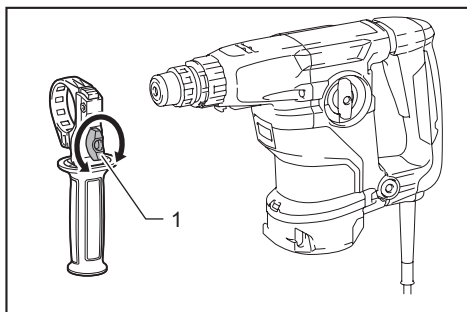
Poignée latérale (poignée auxiliaire)

ATTENTION : Utilisez toujours la poignée latérale pour assurer l'utilisation sécuritaire.

ATTENTION : Après avoir posé ou ajusté la poignée latérale, assurez-vous que la poignée latérale est fermement fixée.

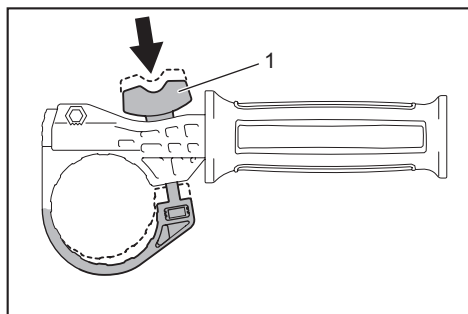
Pour installer la poignée latérale, suivez les étapes ci-dessous.

1. Desserrez la vis à oreilles sur la poignée latérale.



► 1. Vis à oreilles

2. Fixez la poignée latérale tout en appuyant sur la vis à oreilles de sorte que les rainures de la poignée s'adaptent aux parties saillantes sur le barillet de l'outil.



► 1. Vis à oreilles

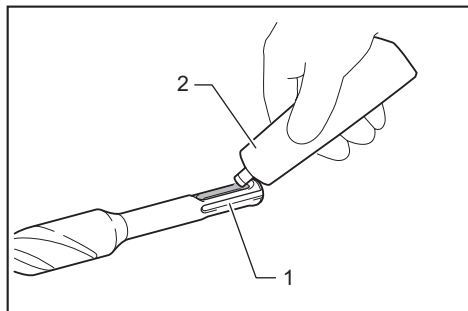
3. Serrez la vis à oreilles pour fixer la poignée. La poignée peut être fixée sur l'angle désiré.

Graisse

Graissez à l'avance la queue de l'embout-mèche avec une petite quantité de graisse (environ 0,5 à 1 g). La lubrification du mandrin assurera un mouvement en douceur et une plus longue durée de service.

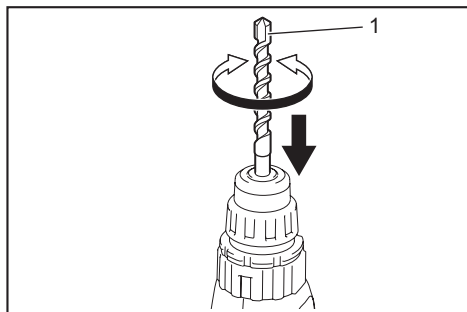
Pose ou retrait de l'embout-mèche

Nettoyez la queue de l'embout-mèche et appliquez de la graisse avant de l'installer.



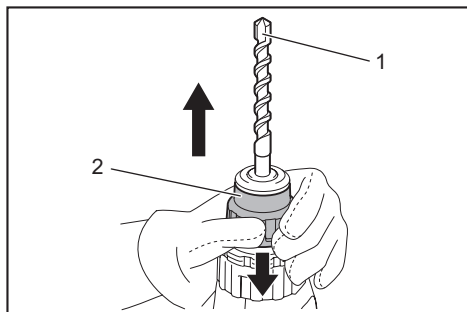
► 1. Queue 2. Graisse

Insérez l'embout-mèche dans l'outil. Tournez l'embout-mèche et enfoncez-le jusqu'à ce qu'il s'engage. Après avoir installé l'embout-mèche, assurez-vous toujours qu'il est fermement fixé en tirant dessus.



► 1. Embout-mèche

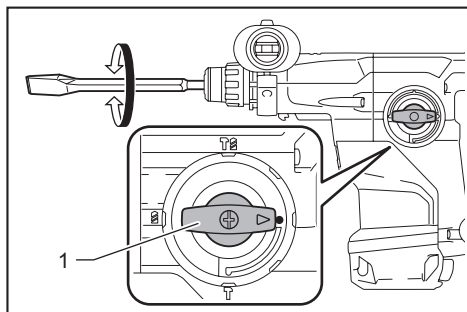
Pour retirer l'embout-mèche, tirez le couvercle du mandrin complètement vers le bas, et tirez sur l'embout-mèche.



► 1. Embout-mèche 2. Couvercle du mandrin

Angle du ciseau (pour le burinage, l'écaillage ou la démolition)

Vous pouvez fixer le ciseau sur l'angle désiré. Pour modifier l'angle du ciseau, tournez le bouton de changement de mode jusqu'au symbole O. Tournez le ciseau jusqu'à l'angle désiré.



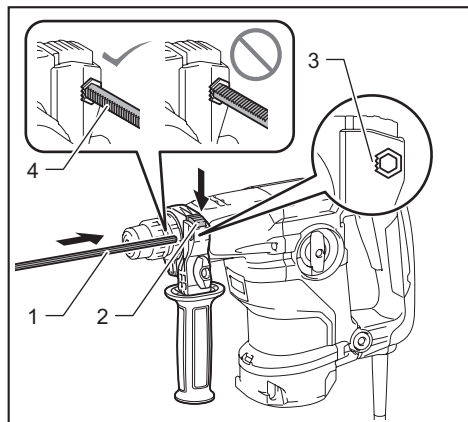
► 1. Bouton de changement de mode

Tournez le bouton de changement de mode jusqu'au symbole T. Assurez-vous ensuite que le ciseau demeure fermement en place, en essayant de le faire tourner légèrement.

Jauge de profondeur

La jauge de profondeur est utile pour percer des trous de même profondeur.

En maintenant le bouton de verrouillage enfoncé, insérez la jauge de profondeur dans le trou hexagonal. Assurez-vous que la face dentelée de la jauge de profondeur est orientée vers la marque.



- 1. Jauge de profondeur 2. Bouton de verrouillage
3. Marque 4. Côté dentelé

Réglez la jauge de profondeur en la déplaçant vers l'avant et l'arrière tout en appuyant sur le bouton de verrouillage. Après le réglage, libérez le bouton de verrouillage pour verrouiller la jauge de profondeur.

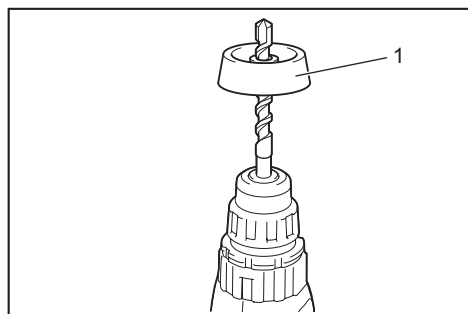
NOTE : En fixant la jauge de profondeur, assurez-vous qu'elle ne touche pas le corps principal de l'outil.

Collecteur de poussières

Accessoire en option

Utilisez le collecteur de poussières pour éviter que la poussière ne tombe de l'outil et sur vous-même lorsque vous percez au-dessus de votre tête. Fixez le collecteur de poussières à l'embout tel qu'illustré sur la figure. Le collecteur de poussières peut être fixé aux embouts des dimensions suivantes.

Modèle	Diamètre d'embout
Collecteur de poussières 5	6 mm (1/4") - 14,5 mm (9/16")
Collecteur de poussières 9	12 mm (15/32") - 16 mm (5/8")



- 1. Collecteur de poussières

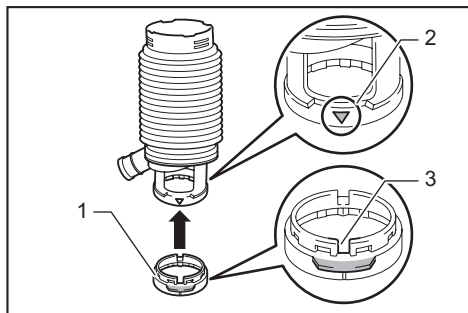
Ensemble de collecteur de poussières

Accessoire en option

Pour les modèles HR3011FC, HR3001C

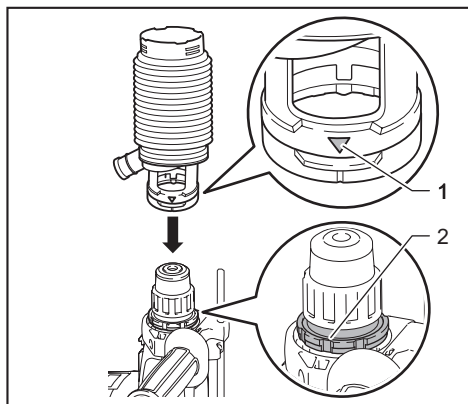
AVIS : Lors de l'utilisation de l'ensemble de collecteur de poussières dans HR3011FC ou HR3001C, l'entretoise est également requise.

Avant d'installer l'ensemble de collecteur de poussières, retirez l'embout de l'outil s'il y est installé. Fixez l'entretoise à l'ensemble de collecteur de poussières. Le symbole Δ du collecteur de poussières est aligné sur la rainure de l'entretoise.



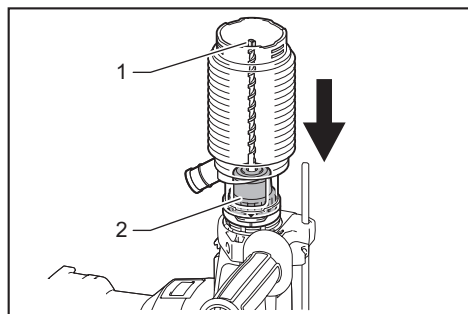
- 1. Entretoise 2. Δ Symbole 3. Rainure

Installez l'ensemble de collecteur de poussières avec l'entretoise sur l'outil, de sorte que le symbole Δ du collecteur de poussières soit aligné sur la rainure de l'outil.



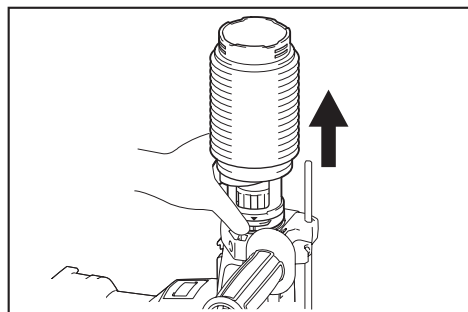
- 1. Symbole Δ 2. Rainure

Pour retirer l'ensemble de collecteur de poussières, retirez l'embout tout en tirant le couvercle du mandrin dans le sens de la flèche.



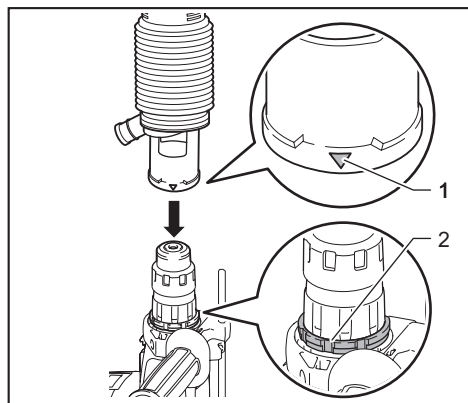
► 1. Embout 2. Couvercle du mandrin

Saisissez le collecteur de poussières par sa base et dégagez-le en tirant.



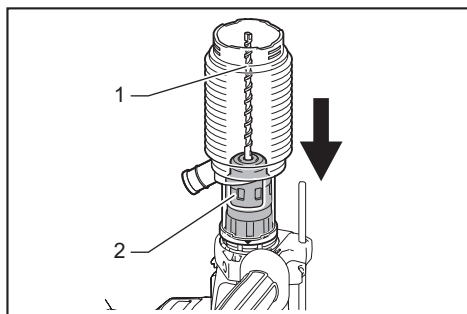
Pour le modèle HR3012FC

Avant d'installer l'ensemble de collecteur de poussières, retirez l'embout de l'outil s'il y est installé. Posez l'ensemble de collecteur de poussières sur l'outil de sorte que le symbole Δ du collecteur de poussières soit aligné sur la rainure à l'intérieur de l'outil.



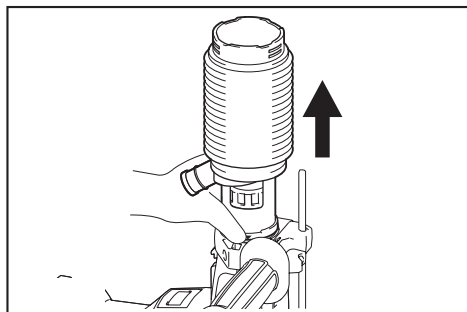
► 1. Δ Symbole 2. Rainure

Pour retirer l'ensemble de collecteur de poussières, retirez l'embout tout en tirant le couvercle du mandrin dans le sens de la flèche.

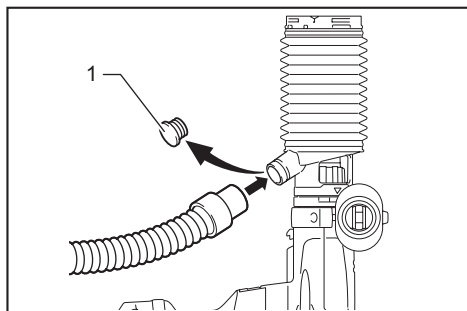


► 1. Embout 2. Couvercle du mandrin

Saisissez le collecteur de poussières par sa base et dégagez-le en tirant.

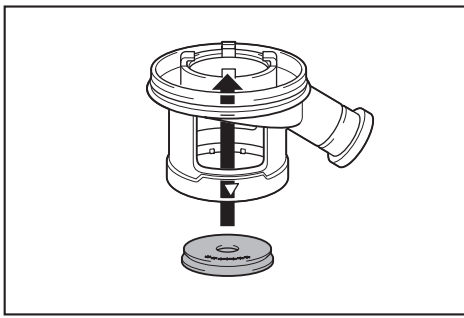


NOTE : Si vous raccordez un aspirateur à l'ensemble de collecteur de poussières, retirez d'abord le capuchon à poussières.



► 1. Capuchon à poussières

NOTE : Si le capuchon se détache du collecteur de poussières, fixez-le avec sa face imprimée orientée vers le haut, de sorte que la rainure du capuchon épouse le pourtour intérieur de l'accessoire.



DISPOSITIF DE COLLECTE DES POUSSIÈRES

Pour HR3011FC HR3012FC uniquement

Accessoire en option

Le dispositif de collecte des poussières est conçu pour collecter efficacement les poussières lors du perçage dans le béton.

Porte-outil

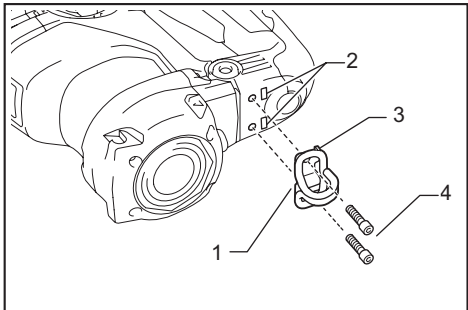
Accessoire en option

- ▲ **MISE EN GARDE** : N'utilisez pas de porte-outil et de vis endommagés.
- ▲ **MISE EN GARDE** : Utilisez uniquement la vis fournie avec le porte-outil.
- ▲ **MISE EN GARDE** : Avant d'utiliser le porte-outil, vérifiez l'absence de dommages, fissures ou déformations, et assurez-vous que la vis est serrée.

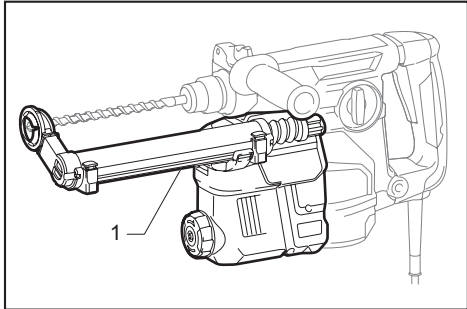
▲ **ATTENTION** : Effectuez la pose ou le retrait du porte-outil sur une table ou surface stable.

Le porte-outil est conçu pour raccorder la corde (sangle d'attache). Pour poser le porte-outil sur l'outil, suivez les étapes ci-dessous.

1. Débranchez la fiche de la source d'alimentation.
2. Insérez les parties saillantes du porte-outil dans les trous de l'outil.
3. Serrez les vis fermement.



► 1. Porte-outil 2. Trou 3. Partie saillante 4. Vis



► 1. Dispositif de collecte des poussières

▲ **ATTENTION** : Avant d'effectuer toute intervention sur l'outil, assurez-vous qu'il est hors tension et débranché. Autrement, vous risquez une blessure suite à un démarrage accidentel.

▲ **ATTENTION** : Fixez toujours le filtre au dispositif de collecte des poussières. Autrement, vous inhalerez des poussières.

▲ **ATTENTION** : Assurez-vous que le filtre n'est pas endommagé. Autrement, il y a risque d'inhalation de poussières.

AVIS : N'utilisez pas le dispositif de collecte des poussières pour percer avec un trépan ou pour buriner. Le dispositif de collecte des poussières est conçu uniquement pour le perçage.

AVIS : N'utilisez pas le dispositif de collecte des poussières pour le métal ou le bois. Le dispositif de collecte des poussières est conçu uniquement pour le béton.

AVIS : N'utilisez pas le dispositif de collecte des poussières pour percer dans le béton mouillé, et ne l'utilisez pas dans un environnement humide. Autrement, il y a risque de dysfonctionnement.

NOTE : Le dispositif de collecte des poussières collecte en grande partie les poussières générées, mais il ne peut pas toutes les collecter.

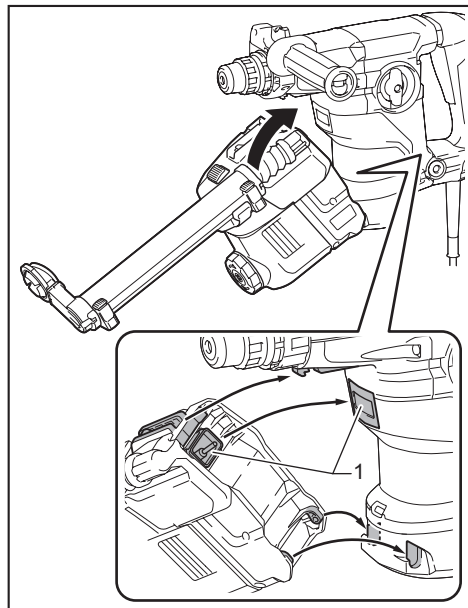
Pose ou retrait du dispositif de collecte des poussières

AVIS : Avant de poser le dispositif de collecte des poussières, nettoyez les parties de raccordement de l'outil et du dispositif de collecte des poussières.

La présence de corps étrangers sur les parties de raccordement peut rendre difficile la pose du dispositif de collecte des poussières. Tout particulièrement, les corps étrangers présents sur l'interface électrique peuvent causer un dysfonctionnement.

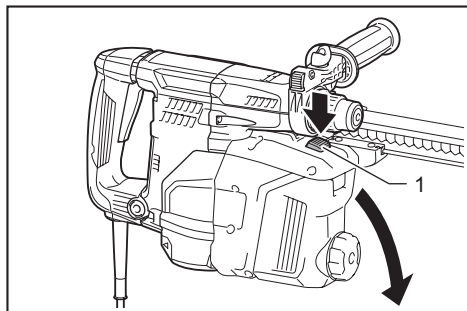
S'il reste des poussières sur le conduit d'air, elles pénétreront dans l'outil et causeront le blocage du flux d'air ou la rupture de l'outil.

Accrochez le dispositif de collecte des poussières sur l'outil, puis insérez-le à fond, jusqu'à ce qu'il se verrouille avec un petit son de double déclic. Ensuite, assurez-vous que le dispositif de collecte des poussières est fermement posé.



► 1. Conduit d'air

Lors du retrait du dispositif de collecte des poussières, appuyez sur le bouton de sécurité.

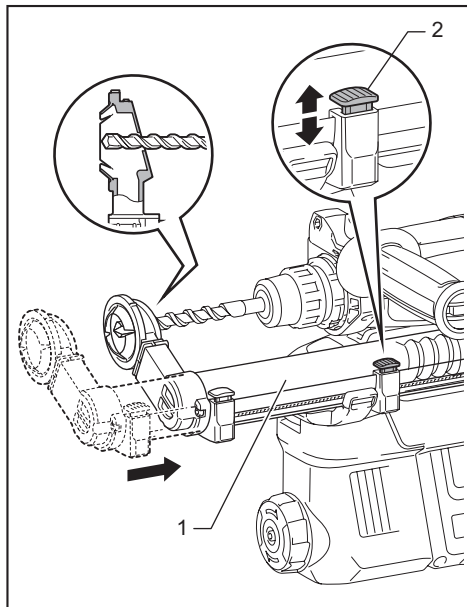


► 1. Bouton de sécurité

Réglage de la position de la buse de dispositif de collecte des poussières

ATTENTION : Lors de libération de la buse en appuyant sur le bouton de réglage du guide, ne pointez pas la buse vers vous-même ou vers d'autres personnes.

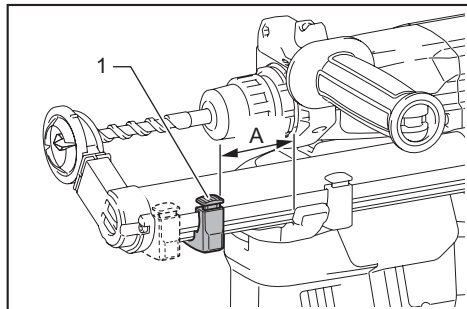
Enfoncez le guide tout en appuyant sur le bouton de réglage du guide, puis libérez le bouton de réglage du guide à la position désirée.



► 1. Guide 2. Bouton de réglage du guide

Réglage de la profondeur de perçage du dispositif de collecte des poussières

Glissez le bouton de réglage de la profondeur sur la position désirée tout en appuyant dessus. La distance (A) correspond à la profondeur de perçage.



► 1. Bouton de réglage de la profondeur

Battre les poussières sur le filtre

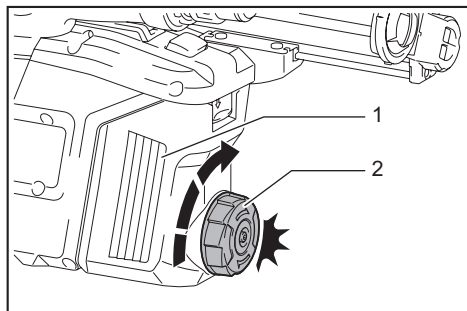
ATTENTION : Ne tournez pas le cadran sur le compartiment à poussières pendant que ce dernier est retiré du dispositif de collecte des poussières. Vous risqueriez d'inhaler des poussières.

ATTENTION : Éteignez toujours l'outil avant de tourner le cadran sur le compartiment à poussières. Vous risquez de perdre le contrôle de l'outil si vous tournez le cadran pendant que l'outil est en marche.

En battant les poussières sur le filtre à l'intérieur du compartiment à poussières, vous pouvez maintenir l'efficacité d'aspiration et jeter les poussières moins souvent.

Tournez le cadran trois fois sur le compartiment à poussières chaque fois que vous avez collecté 50 000 mm³ de poussières ou lorsque vous sentez que l'efficacité d'aspiration a diminué.

NOTE : 50 000 mm³ de poussières équivalent au perçage de 10 trous de \varnothing 10 mm d'une profondeur de 14 mm (2 trous de \varnothing 65" d'une profondeur de 3/8").



► 1. Compartiment à poussières 2. Cadran

Mise au rebut des poussières

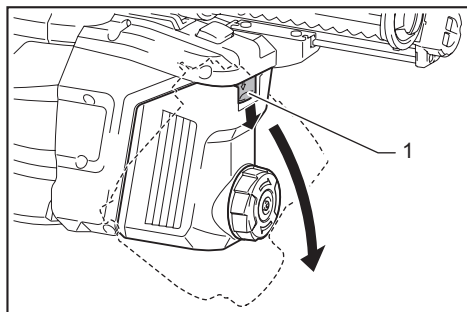
ATTENTION : Portez un masque antipoussières lorsque vous mettez les poussières au rebut.

ATTENTION : Videz régulièrement le compartiment à poussières avant qu'il ne soit plein. L'ignorance de cette consigne peut rendre la collecte des poussières moins efficace, puis entraîner l'inhalation de poussières.

ATTENTION : Remplacez le filtre par un neuf après l'avoir vidé, comme valeur guide, environ 200 fois. Un filtre bouché rend la collecte des poussières moins efficace, puis entraîne l'inhalation de poussières.

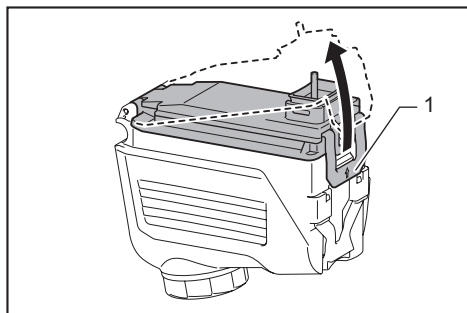
AVIS : Pour nettoyer le filtre, tapotez doucement le boîtier du filtre avec la main pour enlever les poussières. Ne tapotez pas le filtre lui-même, ne touchez pas le filtre avec une brosse ou autre instrument similaire, et n'appliquez pas d'air comprimé sur le filtre. Cela risquerait d'endommager le filtre.

1. Retirez le compartiment à poussières tout en abaissant le levier du compartiment à poussières.



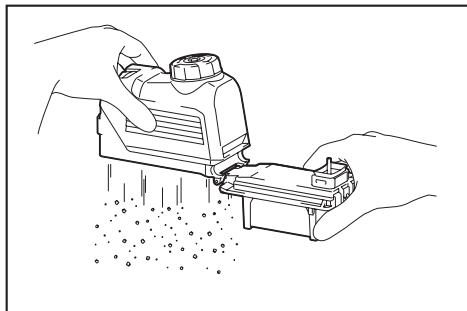
► 1. Levier

2. Ouvrez le couvercle du compartiment à poussières.



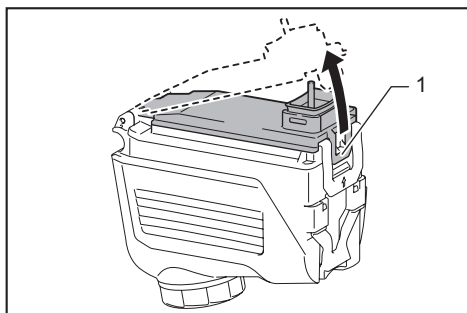
► 1. Couvercle

3. Jetez les poussières, puis nettoyez le filtre.



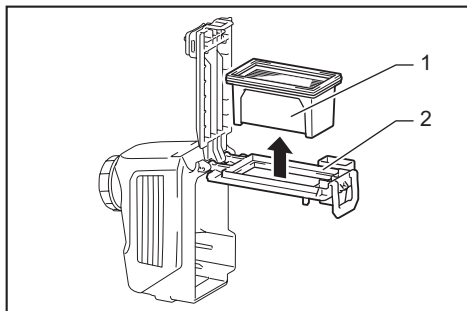
Remplacement du filtre du compartiment à poussières

1. Retirez le compartiment à poussières tout en abaissant le levier du compartiment à poussières. (Reportez-vous à la section sur la mise au rebut des poussières.)
2. Ouvrez le couvercle de filtre du compartiment à poussières.



- 1. Couvercle de filtre

3. Retirez le filtre du boîtier de filtre.



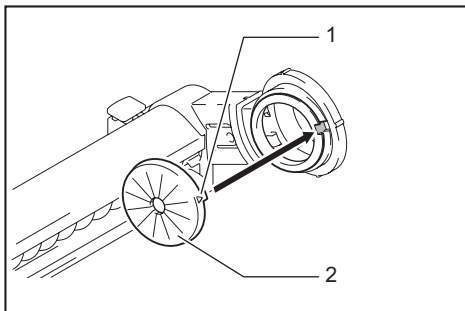
- 1. Filtre 2. Boîtier de filtre

4. Fixez un nouveau filtre au boîtier de filtre, puis fixez le couvercle de filtre.
5. Fermez le couvercle du compartiment à poussières, puis fixez ce dernier au dispositif de collecte des poussières.

Remplacement du capuchon d'étanchéité

Si le capuchon d'étanchéité est utilisé, la collecte des poussières sera moins efficace. Remplacez-le s'il est usé.

Retirez le capuchon d'étanchéité, puis fixez-en un neuf en plaçant sa partie saillante vers le haut.



- 1. Partie saillante 2. Capuchon d'étanchéité

UTILISATION

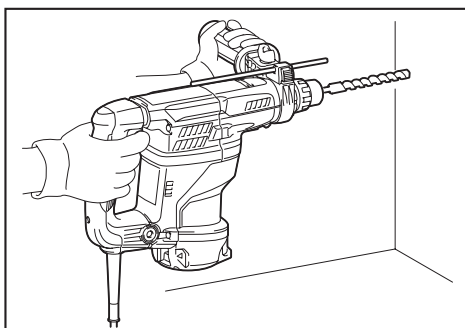
ATTENTION : En tout temps, utilisez la poignée latérale (poignée auxiliaire) et tenez fermement l'outil par la poignée latérale et la poignée à interrupteur pendant l'exécution des travaux.

ATTENTION : Avant l'utilisation, assurez-vous que la pièce à travailler est fixée.

ATTENTION : Ne retirez pas l'outil par la force même si l'embout se coince. Une perte de contrôle peut causer une blessure.


ATTENTION : Pour HR3011FC HR3012FC uniquement

Avant d'utiliser le dispositif de collecte des poussières avec l'outil, veuillez lire la section sur le dispositif de collecte des poussières.



Perçage avec percussion

ATTENTION : Une force de torsion énorme et soudaine s'exerce sur l'outil et l'embout-mèche lors du perçage du trou, lorsque ce dernier est bouché par des copeaux et particules ou lors du contact avec les armatures d'une structure en béton. **En tout temps, utilisez la poignée latérale (poignée auxiliaire) et tenez fermement l'outil par la poignée latérale et la poignée à interrupteur pendant l'exécution des travaux.** Autrement vous risquez de perdre le contrôle de l'outil et courez un risque de blessure grave.

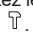
Mettez le bouton de changement de mode sur le symbole .

Placez l'embout-mèche à l'emplacement où vous souhaitez faire le trou, puis appuyez sur la gâchette. N'appliquez pas une force excessive sur l'outil. Vous obtiendrez de meilleurs résultats en exerçant une légère pression. Maintenez l'outil en position et évitez qu'il ne glisse à l'extérieur du trou.

N'appliquez pas davantage de pression lorsque le trou est bouché par les copeaux et particules. Faites plutôt tourner l'outil au ralenti, puis retirez partiellement l'embout-mèche du trou. En répétant cette opération quelques fois, le trou se débouchera et vous pourrez poursuivre le perçage normalement.

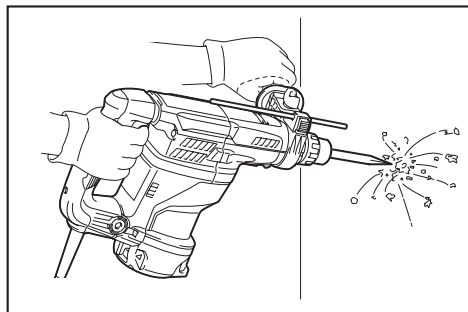
NOTE : Lorsque l'outil tourne à vide, il se peut que l'embout-mèche tourne de manière excentrique. L'outil se centrera lui-même lors de l'utilisation avec charge. La précision du perçage n'est donc pas affectée.

Burinage/Écaillage/Démolition

Mettez le bouton de changement de mode sur le symbole .

Tenez l'outil fermement à deux mains. Mettez le contact et appliquez une légère pression sur l'outil de façon à en garder la maîtrise et à éviter qu'il ne saute d'un côté ou de l'autre.

L'application d'une très grande pression sur l'outil n'augmentera pas l'efficacité de l'opération.



Perçage du bois ou du métal

ATTENTION : Tenez l'outil fermement et faites bien attention lorsque l'embout-foret commence à approcher de la face opposée de la pièce. Une force énorme s'exerce sur l'outil et sur l'embout-foret au moment où ce dernier émerge de la face opposée.

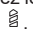
ATTENTION : Un embout-foret coincé peut être retiré simplement en plaçant l'inverseur sur la rotation en sens inverse pour faire reculer l'outil. Il faut toutefois faire très attention, car l'outil risque de reculer brusquement si vous ne le tenez pas fermement.

ATTENTION : Immobilisez toujours les pièces à travailler dans un étau ou un dispositif de retenue similaire.

AVIS : N'utilisez jamais le mode « rotation avec percussion » lorsque le mandrin porte-embout est posé sur l'outil. Vous risqueriez d'abîmer le mandrin porte-embout.

De plus, le mandrin porte-embout se détacherait quand l'outil passe en mode de rotation inversé.

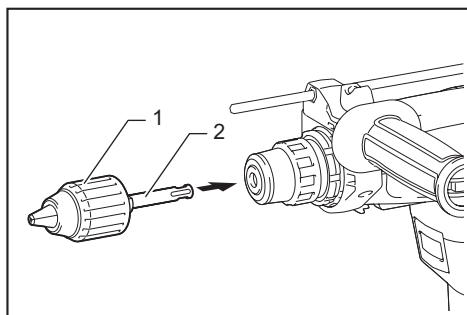
AVIS : Une pression excessive sur l'outil n'accélère pas le perçage. Au contraire, elle risque d'endommager la pointe de l'embout-foret, d'affecter le rendement de l'outil et de raccourcir sa durée de service.

Mettez le bouton de changement de mode sur le symbole .

Pour les modèles HR3011FC, HR3001C

Accessoire en option

Fixez l'adaptateur de mandrin à un mandrin de perceuse sans clé sur lequel une vis 1/2"-20 peut être posée, puis posez-les sur l'outil. Pour l'installer, reportez-vous à la section « Installation ou retrait de l'embout-mèche ».

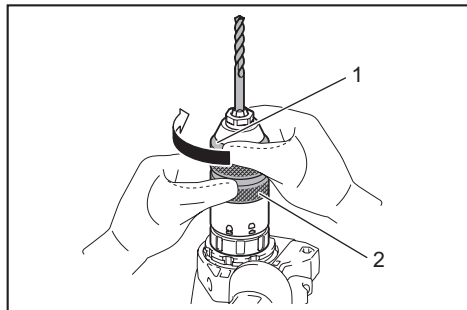


► 1. Mandrin de perceuse sans clé 2. Adaptateur de mandrin

Pour le modèle HR3012FC

Utilisez le mandrin de perceuse à changement rapide fourni en équipement standard. Pour l'installer, reportez-vous à « Remplacement du mandrin à changement rapide pour SDS-plus ».

Saisissez la bague et tournez le manchon dans le sens contraire des aiguilles d'une montre pour ouvrir les mâchoires du mandrin. Insérez l'embout à fond dans le mandrin. Tenez la bague fermement et tournez le manchon dans le sens des aiguilles d'une montre pour serrer le mandrin.




► 1. Manchon 2. Bague

Pour retirer l'embout, saisissez la bague et tournez le manchon dans le sens contraire des aiguilles d'une montre.

Perçage avec un trépan diamanté

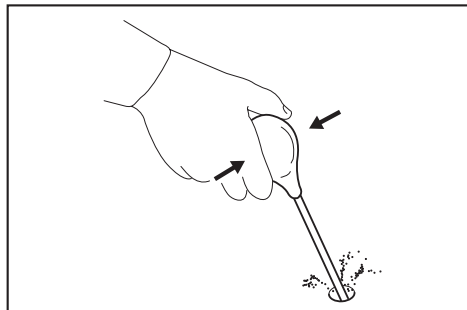
AVIS : Vous risquez d'abîmer le trépan diamanté si vous percez avec un trépan diamanté en mode « rotation avec percussion ».

Pour percer avec un trépan diamanté, réglez toujours le bouton de changement de mode sur la position  pour un mouvement de « rotation uniquement ».

Poire soufflante

Accessoire en option

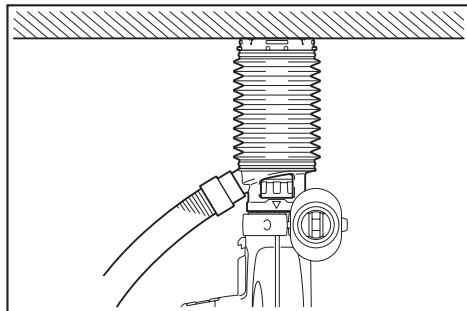
Après avoir percé le trou, utilisez la poire soufflante pour enlever la poussière du trou.



Utilisation de l'ensemble de collecteur de poussières

Accessoire en option

Appliquez l'ensemble de collecteur de poussières contre le plafond lorsque vous utilisez l'outil.



AVIS : Ne pas utiliser l'ensemble de collecteur de poussières lors du perçage dans le métal ou un matériau similaire. Cela risquerait d'endommager l'ensemble de collecteur de poussières, à cause de la chaleur produite par les petites poussières métalliques ou similaires.

AVIS : Ne pas installer ou retirer l'ensemble de collecteur de poussières alors que l'embout-mèche est inséré dans l'outil. Cela risquerait d'endommager l'ensemble de collecteur de poussières et de laisser s'échapper les poussières.

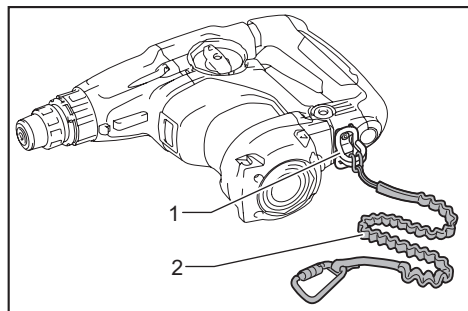
Raccordement de la corde (sangle d'attache) au porte-outil

▲ Consignes de sécurité spécifiques à l'utilisation en hauteur

Veillez lire toutes les mises en garde et instructions. L'ignorance des mises en garde et instructions peut entraîner une grave blessure.

1. **Gardez toujours l'outil attaché lorsque vous travaillez « en hauteur ».** La longueur maximale de la corde est de 2 m (6,5 ft). La hauteur de chute maximale admissible pour la corde (sangle d'attache) ne doit pas dépasser 2 m (6,5 ft).
2. **N'utilisez qu'avec des cordes qui conviennent à ce type d'outil et dont la capacité nominale est d'au moins 7,5 kg (16,6 lbs).**
3. **Ne fixez pas la corde de l'outil à quoi que ce soit sur votre corps, ni à des pièces mobiles. Fixez la corde de l'outil à une structure rigide pouvant résister aux forces exercées par un outil échappé.**
4. **Avant l'utilisation, assurez-vous que la corde est bien fixée à chaque extrémité.**
5. **Avant chaque utilisation, inspectez l'outil et la corde pour vérifier l'absence de dommages et le bon fonctionnement (y compris la trame et les coutures de la corde). Ne pas utiliser en cas de dommages ou de mauvais fonctionnement.**

6. N'enroulez pas la corde autour des bords affûtés ou rugueux, et ne la laissez pas entrer en contact avec ces derniers.
7. Attachez l'autre extrémité de la corde à l'extérieur de la zone de travail, de sorte que l'outil soit bien retenu s'il tombe.
8. Fixez la corde à l'outil de sorte qu'il s'éloigne de l'utilisateur en tombant. Si l'outil tombe, il se balancera au bout de la corde, ce qui peut entraîner une blessure ou une perte d'équilibre.
9. Ne pas utiliser près des pièces en mouvement ou des machines en marche. Autrement, il y a risque d'écrasement ou d'enchevêtrement.
10. Ne transportez pas l'outil par son dispositif de fixation ou par la corde.
11. Ne faites passer l'outil d'une main à l'autre que lorsque vous êtes dans une bonne position d'équilibre.
12. Ne fixez pas la corde à l'outil d'une façon qui gêne le bon fonctionnement des interrupteurs ou du bouton de verrouillage de la gâchette (le cas échéant).
13. Évitez de vous enchevêtrer dans la corde.
14. Gardez la corde à l'écart de la zone de perçage de l'outil.
15. Utilisez des mousquetons multi-actions et à vis. N'utilisez pas de mousquetons à action simple à ressort.
16. Si l'outil a été échappé, il doit être étiqueté et mis hors service, et doit être inspecté par une usine Makita ou un centre de service après-vente agréé.



► 1. Porte-outil 2. Corde (sangle d'attache)

ENTRETIEN

ATTENTION : Assurez-vous toujours que l'outil est hors tension et débranché avant d'y effectuer tout travail d'inspection ou d'entretien.

AVIS : N'utilisez jamais d'essence, de benzine, de solvant, d'alcool ou autres produits similaires. Une décoloration, une déformation ou la formation de fissures peuvent en découler.

Pour maintenir la SÉCURITÉ et la FIABILITÉ du produit, les réparations et tout autre travail d'entretien ou de réglage doivent être effectués dans un centre de service après-vente autorisé ou une usine Makita, exclusivement avec des pièces de rechange Makita.

ACCESSOIRES EN OPTION

ATTENTION : Ces accessoires ou pièces complémentaires sont recommandés pour l'utilisation avec l'outil Makita spécifié dans ce manuel. L'utilisation de tout autre accessoire ou pièce complémentaire peut comporter un risque de blessure. N'utilisez les accessoires ou pièces complémentaires qu'aux fins auxquelles ils ont été conçus.

Si vous désirez obtenir plus de détails sur ces accessoires, veuillez contacter le centre de service après-vente Makita le plus près.

- Embouts-mèches à pointe de carbure (embouts à pointe de carbure SDS-plus)
- Trépan
- Pic
- Trépan diamanté
- Ciseau à froid
- Ciseau à écailler
- Burin à rainures
- Adaptateur de mandrin
- Mandrin de perceuse sans clé
- Graisse pour embout
- Jauge de profondeur
- Poire soufflante
- Collecteur de poussières
- Ensemble de collecteur de poussières
- Entretoise (pour HR3011FC et HR3001C)
- Dispositif de collecte des poussières (pour HR3011FC, HR3012FC)
- Lunettes de sécurité
- Porte-outil

NOTE : Certains éléments de la liste peuvent être inclus avec l'outil comme accessoires standards. Ils peuvent varier suivant les pays.

GARANTIE LIMITÉE MAKITA

Pour les conditions de garantie en vigueur qui s'appliquent à ce produit, veuillez vous reporter à la feuille de garantie en annexe. Si la feuille de garantie en annexe n'est pas disponible, reportez-vous aux détails de la garantie présentés sur le site Web de votre pays, ci-dessous.

États-Unis d'Amérique: www.makitatools.com

Canada: www.makita.ca

Autres pays: www.makita.com

ESPECIFICACIONES

Modelo:		HR3011FC	HR3012FC	HR3001C
Especificaciones eléctricas en México		120 V ~ 9 A 50/60 Hz		
Capacidades	Concreto	30 mm (1-3/16")		
	Punta de corona	80 mm (3-1/8")		
	Punta de corona de diamante (tipo seco)	80 mm (3-1/8")		
	Acero	13 mm (1/2")		
	Madera	32 mm (1-1/4")		
Velocidad sin carga		0 r/min - 840 r/min		
Golpes por minuto		0 gpm - 4 500 gpm		
Longitud total		369 mm (14-1/2")	386 mm (15-1/4")	369 mm (14-1/2")
Peso neto		4,4 kg - 4,8 kg (9,7 lbs - 10,6 lbs)	4,5 kg - 4,7 kg (9,9 lbs - 10,4 lbs)	4,1 kg - 4,5 kg (9,0 lbs - 9,9 lbs)
Clase de seguridad		□/II		

Accesorio opcional

Modelo:	DX10 (para el modelo HR3011FC)	DX11 (para el modelo HR3012FC)
Pieza de trabajo y modo de trabajo aplicables	para perforación de concreto solamente (no utilice para metal o madera, ni tampoco para taladrado con corona ni cincelado)	
Desempeño de succión	0,35 l/min	
Carrera de operación	Hasta 190 mm (7-1/2")	
Broca apropiada	Hasta 265 mm (10-3/8")	
Peso neto	1,2 kg (2,6 lbs)	

- Debido a nuestro programa continuo de investigación y desarrollo, las especificaciones aquí dadas están sujetas a cambios sin previo aviso.
- Las especificaciones pueden variar de país a país.
- El peso puede variar en función de los accesorios. En la tabla se muestra la combinación de peso más ligero y más pesado conforme al procedimiento 01/2014 de EPTA.

ADVERTENCIAS DE SEGURIDAD

Advertencias generales de seguridad para herramientas eléctricas

⚠ ADVERTENCIA: Lea todas las advertencias de seguridad e instrucciones. El no seguir las advertencias e instrucciones indicadas puede ocasionar una descarga eléctrica, un incendio y/o lesiones graves.

Conserve todas las advertencias e instrucciones como referencia en el futuro.

En las advertencias, el término "herramienta eléctrica" se refiere a su herramienta eléctrica de funcionamiento con conexión a la red eléctrica (con cableado eléctrico) o herramienta eléctrica de funcionamiento a batería (inalámbrica).

Seguridad en el área de trabajo

1. Mantenga el área de trabajo limpia y bien iluminada. Las áreas oscuras o desordenadas son propensas a accidentes.
2. No utilice las herramientas eléctricas en atmósferas explosivas, tal como en la presencia de líquidos, gases o polvo inflamables. Las herramientas eléctricas crean chispas que pueden prender fuego al polvo o los humos.
3. Mantenga a los niños y curiosos alejados mientras utiliza una herramienta eléctrica. Las distracciones le pueden hacer perder el control.

Seguridad eléctrica

1. Las clavijas de conexión de las herramientas eléctricas deberán encajar perfectamente en la toma de corriente. No modifique nunca la clavija de conexión de ninguna forma. No utilice ninguna clavija adaptadora con herramientas eléctricas que tengan conexión a tierra (puesta a tierra). La utilización de clavijas no modificadas y que encajen perfectamente en la toma de corriente reducirá el riesgo de que se produzca una descarga eléctrica.

2. **Evite tocar con el cuerpo superficies conectadas a tierra o puestas a tierra tales como tubos, radiadores, cocinas y refrigeradores.** Si su cuerpo es puesto a tierra o conectado a tierra existirá un mayor riesgo de que sufra una descarga eléctrica.
3. **No exponga las herramientas eléctricas a la lluvia ni a condiciones húmedas.** La entrada de agua en una herramienta eléctrica aumentará el riesgo de que se produzca una descarga eléctrica.
4. **No maltrate el cable. Nunca utilice el cable para transportar, jalar o desconectar la herramienta eléctrica. Mantenga el cable alejado del calor, aceite, objetos cortantes o piezas móviles.** Los cables dañados o enredados aumentan el riesgo de sufrir una descarga eléctrica.
5. **Cuando utilice una herramienta eléctrica en exteriores, utilice un cable de extensión apropiado para uso en exteriores.** La utilización de un cable apropiado para uso en exteriores reducirá el riesgo de que se produzca una descarga eléctrica.
6. **Si no es posible evitar usar una herramienta eléctrica en condiciones húmedas, utilice un alimentador protegido con interruptor de circuito de falla a tierra (ICFT).** El uso de un ICFT reduce el riesgo de descarga eléctrica.

Seguridad personal

1. **Manténgase alerta, preste atención a lo que está haciendo y utilice su sentido común cuando opere una herramienta eléctrica.** No utilice una herramienta eléctrica cuando esté cansado o bajo la influencia de drogas, alcohol o medicamentos. Un momento de distracción mientras opera las herramientas eléctricas puede terminar en una lesión grave.
2. **Use equipo de protección personal. Póngase siempre protección para los ojos.** El equipo protector tal como máscara contra el polvo, zapatos de seguridad antiderrapantes, casco rígido y protección para oídos utilizado en las condiciones apropiadas reducirá el riesgo de lesiones.
3. **Impida el encendido accidental. Asegúrese de que el interruptor esté en la posición de apagado antes de conectar a la alimentación eléctrica y/o de colocar el cartucho de batería, así como al levantar o cargar la herramienta.** Cargar las herramientas eléctricas con su dedo en el interruptor o enchufarlas con el interruptor encendido hace que los accidentes sean comunes.
4. **Retire cualquier llave de ajuste o llave de apriete antes de encender la herramienta.** Una llave de ajuste o llave de apriete que haya sido dejada puesta en una parte giratoria de la herramienta eléctrica puede ocasionar alguna lesión.
5. **No utilice la herramienta donde no alcance.** Mantenga los pies sobre suelo firme y el equilibrio en todo momento. Esto permite un mejor control de la herramienta eléctrica en situaciones inesperadas.
6. **Use vestimenta apropiada. No use ropas sueltas ni joyas. Mantenga el cabello, la ropa y los guantes alejados de las piezas móviles.** Las prendas de vestir holgadas, las joyas y el cabello suelto podrían engancharse en las piezas móviles.
7. **Si dispone de dispositivos para la conexión de equipos de extracción y recolección de polvo, asegúrese de conectarlos y utilizarlos debidamente.** Hacer uso de la recolección de polvo puede reducir los riesgos relacionados con el polvo.

Mantenimiento y uso de la herramienta eléctrica

1. **No fuerce la herramienta eléctrica. Utilice la herramienta eléctrica correcta para su aplicación.** La herramienta eléctrica adecuada hará un mejor trabajo y de forma más segura a la velocidad para la que ha sido fabricada.
2. **No utilice la herramienta eléctrica si el interruptor no la enciende y apaga.** Cualquier herramienta eléctrica que no pueda ser controlada con el interruptor es peligrosa y debe ser reemplazada.
3. **Desconecte la clavija de la fuente de energía y/o la batería de la herramienta eléctrica antes de realizar ajustes, cambiar accesorios o guardar las herramientas eléctricas.** Dichas medidas de seguridad preventivas reducen el riesgo de que la herramienta se inicie accidentalmente.
4. **Guarde la herramienta eléctrica que no use fuera del alcance de los niños y no permita que las personas que no están familiarizadas con ella o con las instrucciones la operen.** Las herramientas eléctricas son peligrosas en manos de personas que no saben operarlas.
5. **Realice el mantenimiento a las herramientas eléctricas. Compruebe que no haya partes móviles desalineadas o estancadas, piezas rotas y cualquier otra condición que pueda afectar al funcionamiento de la herramienta eléctrica.** Si la herramienta eléctrica está dañada, haga que se la reparen antes de utilizarla. Muchos accidentes son ocasionados por herramientas eléctricas con mantenimiento inadecuado.
6. **Mantenga las herramientas de corte limpias y filosas.** Si recibe un mantenimiento adecuado y tiene los bordes afilados, es probable que la herramienta se ataque menos y sea más fácil controlarla.
7. **Utilice la herramienta eléctrica, los accesorios y las brocas de acuerdo con estas instrucciones, considerando las condiciones laborales y el trabajo a realizar.** Si utiliza la herramienta eléctrica para realizar operaciones distintas de las indicadas, podrá presentarse una situación peligrosa.

Servicio

1. **Haga que una persona calificada repare la herramienta eléctrica utilizando sólo piezas de repuesto idénticas.** Esto asegura que se mantenga la seguridad de la herramienta eléctrica.
2. **Siga las instrucciones para la lubricación y cambio de accesorios.**
3. **Mantenga las agarraderas secas, limpias y sin aceite o grasa.**

UTILICE CABLES DE EXTENSIÓN APROPIADOS.

Asegúrese de que su cable de extensión esté en buenas condiciones. Cuando utilice un cable de extensión, asegúrese de utilizar uno del calibre suficiente para conducir la corriente que demande el producto. Un cable de calibre inferior ocasionará una caída en la tensión de línea y a su vez una pérdida de potencia y sobrecalentamiento. La tabla 1 muestra la medida correcta a utilizar dependiendo de la longitud del cable y el amperaje nominal indicado en la placa de características. Si no está seguro, utilice el siguiente calibre más alto. Cuanto menor sea el número de calibre, más corriente podrá conducir el cable.

Tabla 1: Calibre mínimo para el cable

Amperaje nominal		Voltios	Longitud total del cable en metros			
			7 m (25 ft.)	15 m (50 ft.)	30 m (100 ft.)	45,7 m (150 ft.)
		120 V ~				
		220 V ~ - 240 V ~	15 m (50 ft.)	30 m (100 ft.)	60,9 m (200 ft.)	91,4 m (300 ft.)
Más de	No más de	Calibre del cable (AWG)				
0 A	6 A	-	18	16	16	14
6 A	10 A		18	16	14	12
10 A	12 A		16	16	14	12
12 A	16 A		14	12	No se recomienda	

ADVERTENCIAS DE SEGURIDAD PARA EL MARTILLO ROTATIVO

1. **Utilice protectores de oídos.** La exposición al ruido puede provocar pérdida auditiva.
2. **Utilice los mango(s) auxiliare(s) que se suministren con la herramienta.** La pérdida de control puede ocasionar lesiones.
3. **Sujete la herramienta eléctrica por las superficies de agarre aisladas al realizar una operación en la que el accesorio de corte pueda estar en contacto con cables ocultos o su propio cable.** Si el accesorio de corte entra en contacto con un cable con corriente, las piezas metálicas expuestas de la herramienta eléctrica se cargarán también de corriente y el operador puede recibir una descarga eléctrica.
4. **Utilice un casco protector (casco de seguridad), gafas de seguridad y/o careta de protección.** Los anteojos comunes o de sol **NO** son gafas de seguridad. También es muy recomendable que utilice una máscara contra polvo y guantes bien acolchados.
5. **Asegúrese de que la punta se encuentre asegurada en su lugar antes de la operación.**
6. **En condiciones normales de operación, la herramienta está diseñada para producir vibración.** Los tornillos pueden aflojarse fácilmente y causar una falla o accidente. Verifique cuidadosamente que los tornillos estén apretados antes de la operación.
7. **En clima frío o cuando la herramienta no se haya utilizado durante un tiempo prolongado, permita que la herramienta se caliente un rato haciéndola funcionar sin carga.** Esto facilitará la lubricación. Sin un calentamiento apropiado, la operación de percusión resultará difícil.
8. **Asegúrese siempre de que pisa sobre suelo firme.** Asegúrese de que no haya nadie debajo cuando utilice la herramienta en lugares altos.
9. **Sujete la herramienta firmemente con ambas manos.**
10. **Mantenga las manos alejadas de las piezas móviles.**
11. **No deje la herramienta funcionando.** Tenga en marcha la herramienta solamente cuando la esté sosteniendo con la mano.
12. **Durante la operación, no apunte con la herramienta a ninguna persona en el área.** La punta podría salir volando y causarle una lesión grave a alguien.
13. **No toque la punta, las piezas cercanas a la punta o la pieza de trabajo inmediatamente después de la operación; éstas podrían estar extremadamente calientes y producirle quemaduras en la piel.**



14. **Algunos materiales contienen sustancias químicas que pueden ser tóxicas.** Evite inhalar polvo y que éste entre en contacto con la piel. Consulte la hoja de seguridad de materiales del proveedor.
15. **No toque la clavija de conexión con las manos húmedas.**

GUARDE ESTAS INSTRUCCIONES.

⚠️ ADVERTENCIA: NO DEJE que la comodidad o familiaridad con el producto (a base de utilizarlo repetidamente) evite que siga estrictamente las normas de seguridad para dicho producto. **El USO INCORRECTO o el no seguir las normas de seguridad indicadas en este manual de instrucciones puede ocasionar lesiones graves.**

Símbolos

A continuación se muestran los símbolos utilizados para la herramienta.

V	volts o voltios
A	amperes
Hz	hertz
~	corriente alterna
n.	velocidad sin carga
	Construcción clase II
... /min r /min	revoluciones o alternaciones por minuto, frecuencia de rotación
	número de percusiones

Fuente de alimentación

La herramienta solamente deberá ser conectada a una fuente de alimentación del mismo voltaje que el indicado en la placa de características, y únicamente podrá funcionar con un suministro de corriente alterna monofásica.

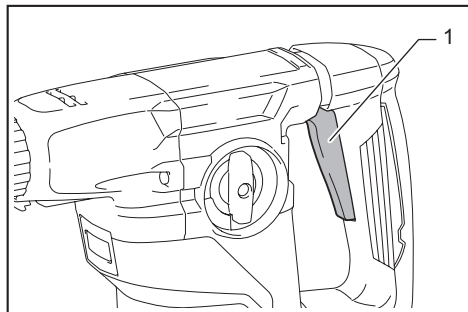
DESCRIPCIÓN DEL FUNCIONAMIENTO

⚠PRECAUCIÓN: Asegúrese siempre de que la herramienta esté apagada y desconectada antes de ajustar o comprobar cualquier función en la herramienta.

Accionamiento del interruptor

⚠PRECAUCIÓN: Antes de conectar la herramienta, compruebe siempre que el gatillo interruptor se accione debidamente y que regrese a la posición de apagado (OFF) cuando se libere.

Para arrancar la herramienta, simplemente jale el gatillo interruptor. La velocidad de la herramienta aumenta al incrementar la presión en el gatillo interruptor. Para detenerla, suelte el gatillo interruptor.



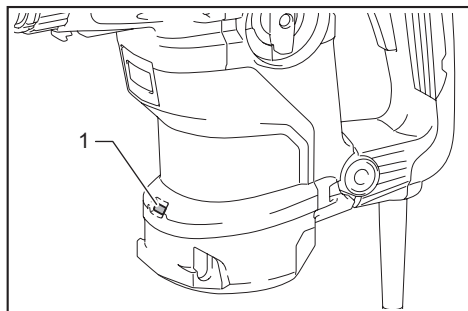
► 1. Gatillo interruptor

Iluminación de la luz delantera

Para los modelos HR3011FC HR3012FC solamente

⚠PRECAUCIÓN: No mire a la luz ni vea a la fuente de luz directamente.

Para encender la lámpara, jale el gatillo interruptor. Para apagarla, suelte el gatillo interruptor.



► 1. Lámpara

NOTA: Utilice un paño seco para quitar la suciedad de la lente de la lámpara. Tenga cuidado de no rayar la lente de la lámpara ya que la iluminación podría disminuir.

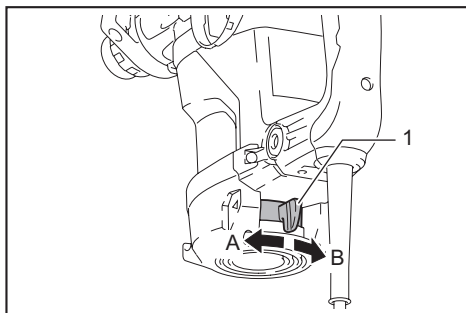
Accionamiento del conmutador de inversión de giro

⚠PRECAUCIÓN: Confirme siempre la dirección de rotación antes de la operación.

⚠PRECAUCIÓN: Utilice el conmutador de inversión solamente después de que la herramienta haya parado completamente. Si cambia la dirección de rotación antes de que la herramienta haya parado podría dañarla.

AVISO: Cuando cambie la dirección de rotación, asegúrese de colocar el interruptor de inversión completamente al lado A o al lado B. De lo contrario, al jalar el gatillo interruptor, el motor podría no girar o la herramienta podría no funcionar correctamente.

Esta herramienta cuenta con un interruptor de inversión para cambiar la dirección de rotación. Mueva la palanca del interruptor de inversión a la posición del lado A para una rotación en el sentido de las manecillas del reloj o a la posición del lado B para una rotación en sentido inverso al de las manecillas del reloj.



► 1. Palanca del interruptor de inversión


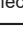
Cambio del portabrocas de cambio rápido para SDS-plus

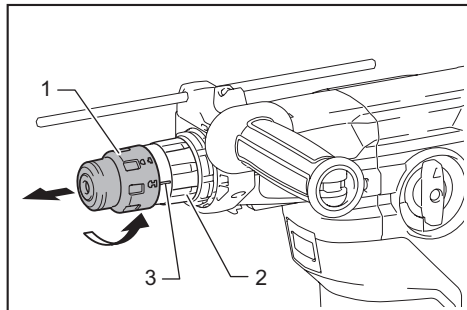
Para el modelo HR3012FC solamente

El portabrocas de cambio rápido para SDS-plus puede intercambiarse fácilmente por el portabrocas adaptador de cambio rápido.

Extracción del portabrocas de cambio rápido para SDS-plus




PRECAUCIÓN: Antes de extraer el portabrocas de cambio rápido para SDS-plus, asegúrese de retirar la punta.

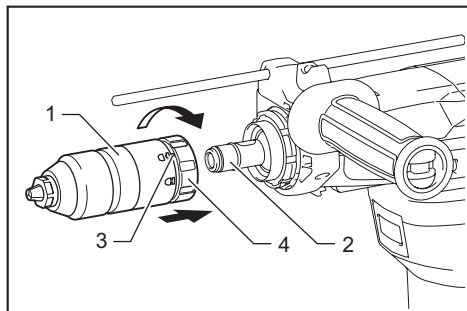
Sujete la cubierta de cambio del portabrocas de cambio rápido para SDS-plus y gírela en la dirección de la flecha hasta que la línea de la cubierta de cambio se desplace del símbolo  al símbolo . Jale con fuerza en la dirección de la flecha.



- ▶ 1. Portabrocas de cambio rápido para SDS-plus
- ▶ 2. Cubierta de cambio 3. Línea de la cubierta de cambio

Instalación del portabrocas adaptador de cambio rápido

Verifique que la línea del portabrocas adaptador de cambio rápido muestre el símbolo . Sujete la cubierta de cambio del portabrocas adaptador de cambio rápido y ajuste la línea en el símbolo . Coloque el portabrocas adaptador de cambio rápido en el eje de la herramienta. Sujete la cubierta de cambio del portabrocas adaptador de cambio rápido y gire la línea de la cubierta de cambio al símbolo  hasta que se pueda escuchar claramente un clic.



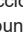
- ▶ 1. Portabrocas adaptador de cambio rápido 2. Eje
- ▶ 3. Línea de la cubierta de cambio 4. Cubierta de cambio

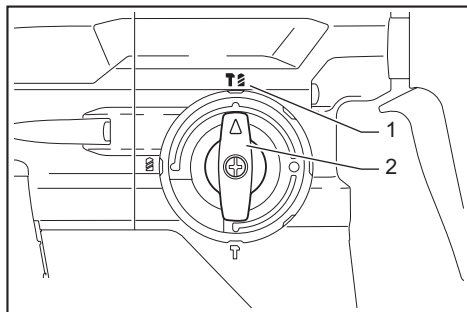
Selección del modo de accionamiento

AVISO: No gire la perilla de cambio de modo de accionamiento cuando la herramienta esté en marcha. Esto podría causar daños a la herramienta.

AVISO: Para evitar un desgaste rápido del mecanismo de cambio de modo, asegúrese siempre de que la perilla de cambio de modo de accionamiento se encuentre realmente ubicada en una de las tres posiciones del modo de accionamiento.


Rotación con percusión

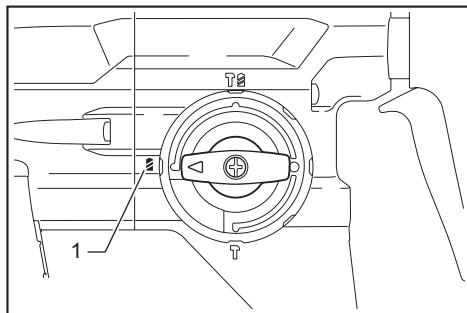
Para taladrar en concreto, mampostería, etc., gire la perilla de cambio de modo de accionamiento al símbolo . Utilice una broca con punta de carburo de tungsteno (accesorio opcional).



- ▶ 1. Rotación con percusión 2. Perilla de cambio de modo de accionamiento


Sólo rotación

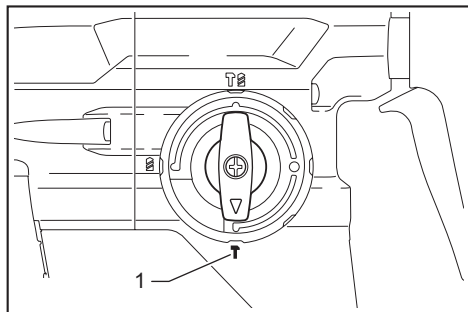
Para taladrar en materiales de madera, metal o plástico, gire la perilla de cambio de modo de accionamiento al símbolo . Utilice una broca helicoidal o broca para madera.



- ▶ 1. Sólo rotación

Sólo percusión

Para operaciones de cincelado, desincrustación o demolición, gire la perilla de cambio de modo de accionamiento al símbolo . Utilice un cincel de punta, cincel plano, cincel de desincrustación, etc.



► 1. Sólo percusión

Limitador de torsión

AVISO: En cuanto el limitador de torsión se accione, apague de inmediato la herramienta. Esto ayudará a evitar el desgaste prematuro de la herramienta.

AVISO: Las brocas tales como las de sierra perforadora, las cuales tienden a atorarse o engancharse fácilmente en el agujero, no son adecuadas para esta herramienta. Esto es debido a que pueden provocar que el limitador de torsión se accione con demasiada frecuencia.

El limitador de torsión se accionará una vez que se alcance un cierto nivel de torsión. El motor se desenganchará del eje de salida. Cuando esto suceda, la broca dejará de girar.

Funcionamiento electrónico

La herramienta está equipada con funciones electrónicas para facilitar la operación.

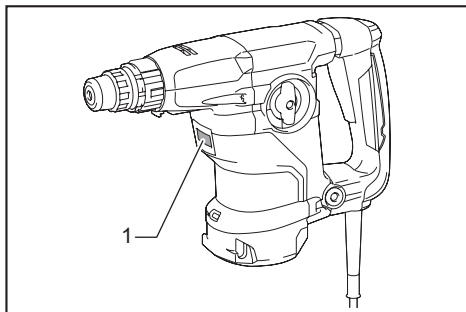
- Control de velocidad constante
La función de control de velocidad permite una rotación constante independientemente de las condiciones de carga.

Conducto de aire

Para los modelos HR3011FC HR3012FC solamente

PRECAUCIÓN: No coloque su dedo dentro del conducto de aire ni inserte cualquier otro objeto extraño en el mismo. De lo contrario, podría lesionarse o la herramienta podría averiarse.

El conducto de aire se conectará al sistema de recolección de polvo. Cuando vaya a utilizar el sistema de recolección de polvo, lea la sección sobre el sistema de recolección de polvo.



► 1. Conducto de aire

MONTAJE

PRECAUCIÓN: Asegúrese siempre de que la herramienta esté apagada y desconectada antes de realizar cualquier trabajo en la misma.

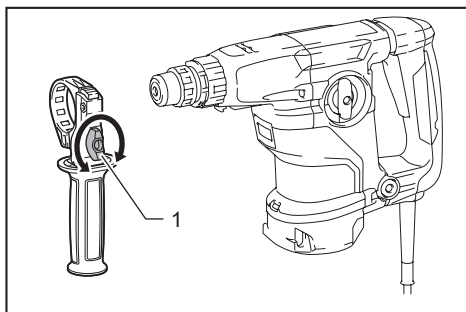
Empuñadura lateral (mango auxiliar)

PRECAUCIÓN: Utilice siempre la empuñadura lateral para garantizar una operación segura.

PRECAUCIÓN: Después de instalar o ajustar la empuñadura lateral, asegúrese de que quede firmemente asegurada.

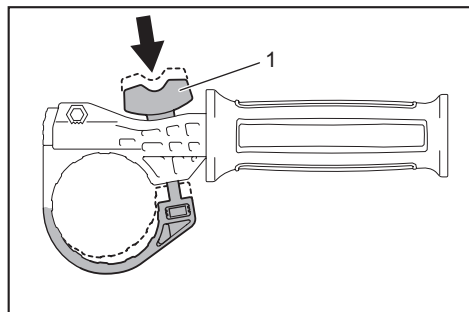
Para instalar la empuñadura lateral, siga los pasos a continuación.

1. Afloje el tornillo de mariposa en la empuñadura lateral.



► 1. Tornillo de mariposa

2. Instale la empuñadura lateral mientras presiona el tornillo de mariposa de modo que las ranuras en la empuñadura encajen en las protuberancias del cilindro de la herramienta.



► 1. Tornillo de mariposa

3. Apriete el tornillo de mariposa para asegurar la empuñadura. La empuñadura puede fijarse en el ángulo deseado.

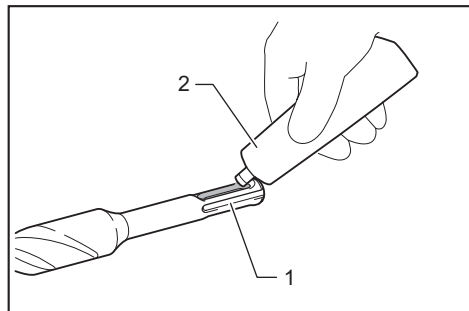
Grasa

Aplique previamente una pequeña cantidad de grasa (alrededor de 0,5 g - 1 g) en el extremo de la espiga de la broca.

La lubricación del portabrocas asegura un accionamiento suave y una vida útil más larga.

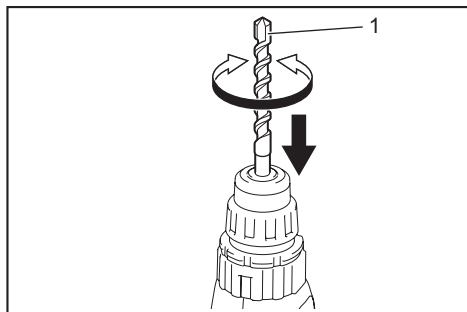
Instalación o extracción de la broca

Limpie el extremo de la espiga de la broca y aplique grasa antes de instalar la broca.



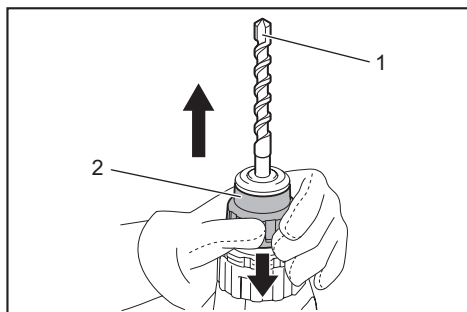
► 1. Extremo de la espiga 2. Grasa

Inserte la broca en la herramienta. Gire la broca y empújela hacia adentro hasta que quede enganchada. Después de instalar la broca, asegúrese siempre de que la broca quede asegurada en su lugar intentando jalarla hacia afuera.



► 1. Broca

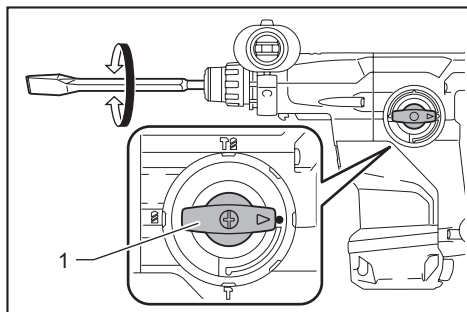
Para extraer la broca, jale hasta abajo la cubierta del portabrocas y jale la broca hacia afuera.



► 1. Broca 2. Cubierta del portabrocas

Ángulo del cincel (durante el cincelado, desincrustación o demolición)

El cincel puede fijarse en el ángulo deseado. Para cambiar el ángulo del cincel, gire la perilla de cambio de modo de accionamiento al símbolo O. Gire el cincel al ángulo deseado.



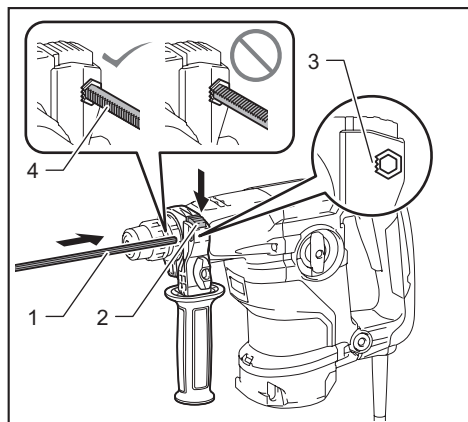
► 1. Perilla de cambio de modo de accionamiento

Gire la perilla de cambio de modo de accionamiento al símbolo ∇ . Luego asegúrese de que el cincel quede asegurado en su lugar girándolo ligeramente.

Calibrador de profundidad

El calibrador de profundidad sirve para perforar orificios de profundidad uniforme.

Oprima y mantenga oprimido el botón de bloqueo y luego inserte el calibrador de profundidad en el orificio hexagonal. Asegúrese de que el lado dentado del calibrador de profundidad quede de frente a la marca.



- 1. Calibrador de profundidad 2. Botón de bloqueo
3. Marca 4. Lado dentado

Ajuste el calibrador de profundidad moviéndolo hacia atrás y hacia adelante mientras oprime el botón de bloqueo. Después de ajustarlo, suelte el botón de bloqueo para bloquear el calibrador de profundidad.

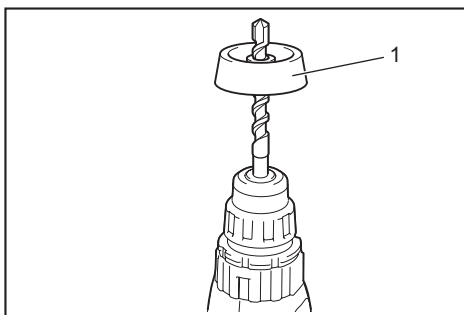
NOTA: Asegúrese de que el calibrador de profundidad no toque el cuerpo principal de la herramienta al momento de fijarlo.

Contenedor de polvo

Accesorio opcional

Utilice el contenedor de polvo para evitar que el polvo caiga sobre la herramienta y sobre usted al realizar operaciones de perforación por encima de su cabeza. Fije el contenedor de polvo en la punta tal como se muestra en la ilustración. El tamaño de las puntas en las que el contenedor de polvo puede fijarse es el que se indica a continuación.

Modelo	Diámetro de la punta
Contenedor de polvo 5	6 mm (1/4") - 14,5 mm (9/16")
Contenedor de polvo 9	12 mm (15/32") - 16 mm (5/8")



- 1. Contenedor de polvo

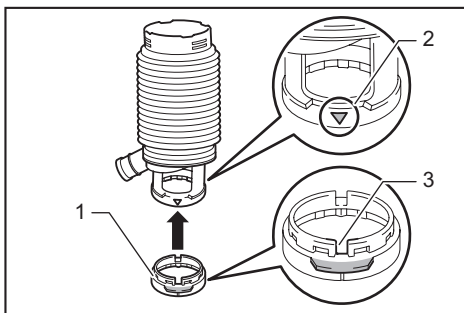
Juego contenedor de polvo

Accesorio opcional

Para los modelos HR3011FC, HR3001C

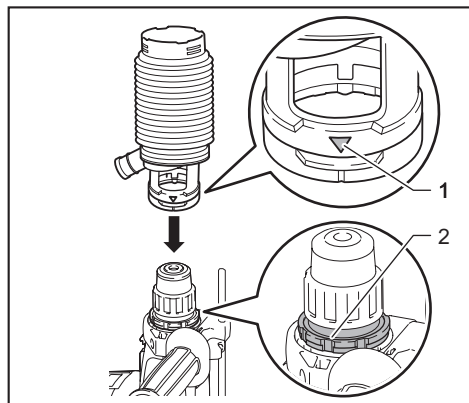
AVISO: Cuando utilice el juego contenedor de polvo en los modelos HR3011FC y HR3001C, se requiere igualmente el espaciador.

Antes de instalar el juego contenedor de polvo, extraiga la punta de la herramienta en caso de estar instalada. Instale el espaciador al juego contenedor de polvo. El símbolo Δ en el contenedor de polvo se alinea con la ranura en el espaciador.



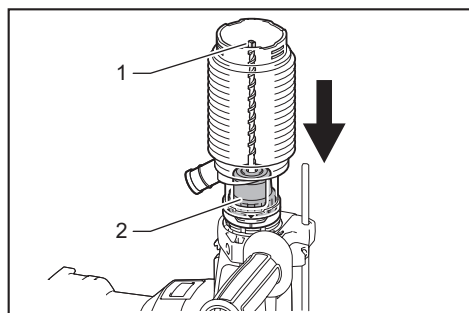
- 1. Espaciador 2. Δ símbolo 3. Ranura

Instale el juego contenedor de polvo con el espaciador en la herramienta, de manera que el símbolo Δ en el contenedor de polvo quede alineado con la ranura en la herramienta.



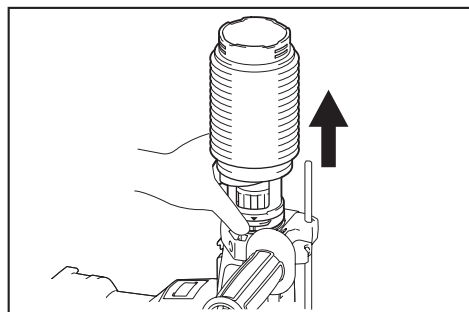
► 1. Símbolo Δ 2. Ranura

Para extraer el juego contenedor de polvo, retire la punta mientras jala la cubierta del portabrocas en la dirección de la flecha.



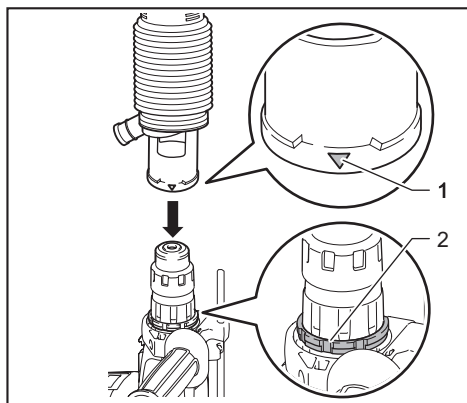
► 1. Punta 2. Cubierta del portabrocas

Tome el contenedor de polvo desde la raíz y sáquelo.



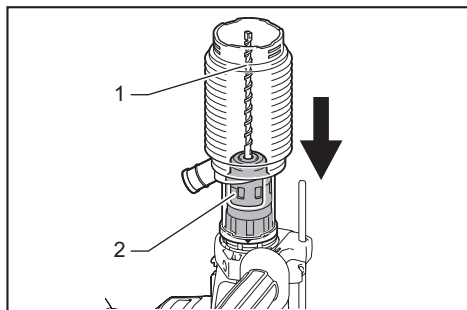
Para el modelo HR3012FC

Antes de instalar el juego contenedor de polvo, extraiga la punta de la herramienta en caso de estar instalada. Instale el juego contenedor de polvo en la herramienta de manera que el símbolo Δ en el contenedor de polvo quede alineado con la ranura en la herramienta.



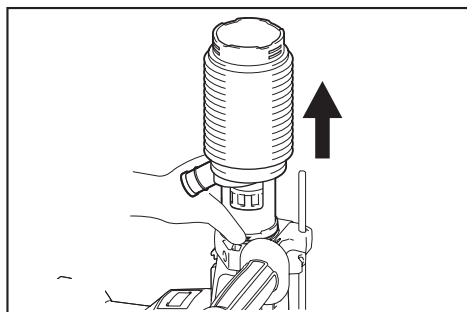
► 1. Δ símbolo 2. Ranura

Para extraer el juego contenedor de polvo, retire la punta mientras jala la cubierta del portabrocas en la dirección de la flecha.

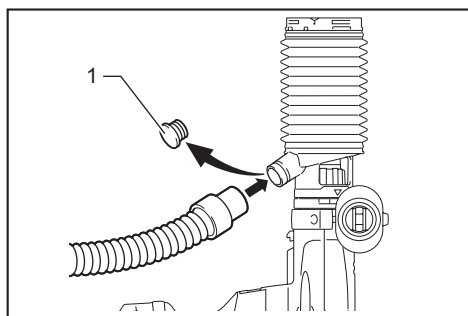


► 1. Punta 2. Cubierta del portabrocas

Tome el contenedor de polvo desde la raíz y sáquelo.

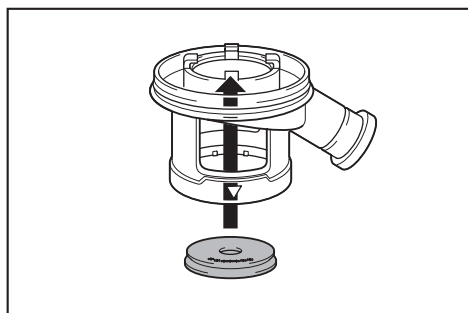


NOTA: Si conecta una aspiradora al juego contenedor de polvo, retire la tapa guardapolvos antes de conectarla.



► 1. Tapa guardapolvos

NOTA: Si la tapa llega a salirse del contenedor de polvo, fíjela con su lado impreso orientado hacia arriba de manera que la ranura en la tapa encaje en la periferia interior del accesorio.



Colgador de la herramienta

Accesorio opcional

⚠ADVERTENCIA: No utilice el colgador de la herramienta y el tornillo cuando estos estén dañados.

⚠ADVERTENCIA: Utilice el tornillo proporcionado con el colgador de la herramienta solamente.

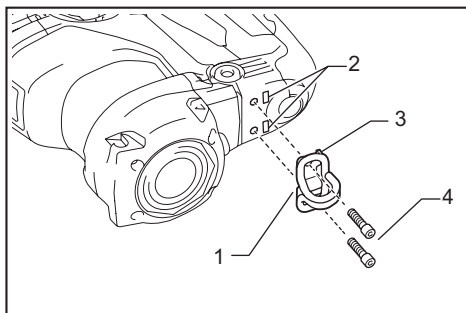
⚠ADVERTENCIA: Antes de usar el colgador de la herramienta, verifique la existencia de daños, roturas o deformaciones y asegúrese de que el tornillo esté apretado.

⚠PRECAUCIÓN: Instale o extraiga el colgador de la herramienta sobre una mesa o superficie estables.

El colgador de la herramienta está diseñado para conectar el cordel de seguridad (correa de amarre). Para instalar el colgador de la herramienta a esta última, siga los pasos a continuación.

1. Desconecte la clavija de conexión del suministro de energía.
2. Inserte las protuberancias del colgador de la herramienta dentro de los orificios en la herramienta.

3. Apriete los tornillos firmemente.

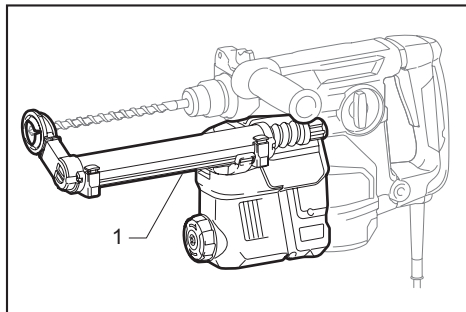


- 1. Colgador de la herramienta 2. Orificio
3. Protuberancia 4. Tornillo

SISTEMA DE RECOLECCIÓN DE POLVO

*Para los modelos HR3011FC HR3012FC solamente
Accesorio opcional*

El sistema de recolección de polvo está diseñado para recolectar polvo con eficacia cuando realiza la operación de perforación en concreto.



- 1. Sistema de recolección de polvo

⚠PRECAUCIÓN: Asegúrese de que la herramienta esté apagada y desenchufada antes de realizar cualquier trabajo en la herramienta. El no hacerlo podría resultar en una lesión personal por un arranque accidental.

⚠PRECAUCIÓN: Siempre instale el filtro al sistema de recolección de polvo. El no hacerlo causará la inhalación de polvo.

⚠PRECAUCIÓN: Verifique que el filtro no esté dañado. El no hacerlo podría causar la inhalación de polvo.

AVISO: No utilice el sistema de recolección de polvo para taladrado con corona ni cincelado. El sistema de recolección de polvo está diseñado para perforación únicamente.

AVISO: No utilice el sistema de recolección de polvo para metal o madera. El sistema de recolección de polvo está diseñado para concreto únicamente.

AVISO: No utilice el sistema de recolección de polvo para perforar en concreto húmedo ni lo utilice en entornos mojados. El hacerlo podría causar averías.

NOTA: El sistema de recolección de polvo recolecta el polvo que se genera en un volumen considerable, sin embargo, es imposible recolectarlo todo.

Instalación o extracción del sistema de recolección de polvo

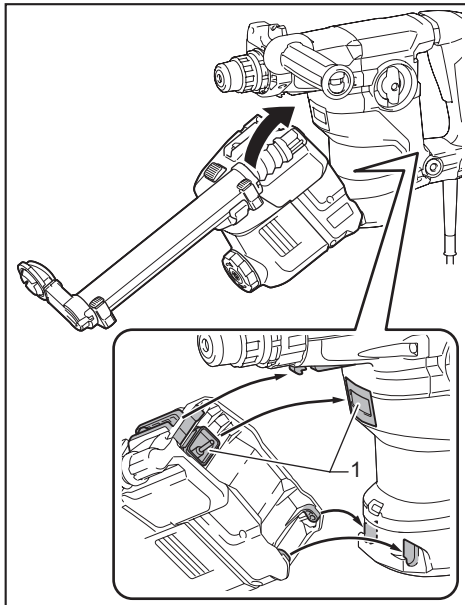
AVISO: Antes de instalar el sistema de recolección de polvo, limpie las partes de unión de la herramienta y el sistema de recolección de polvo.

Las materias extrañas en las partes de unión pueden dificultar la instalación del sistema de recolección de polvo. En particular, las materias extrañas en la interfaz eléctrica pueden causar un mal funcionamiento.

Si queda polvo en el conducto de aire, el polvo entra en la herramienta y causa un atasco en el flujo de aire o la avería de la herramienta.

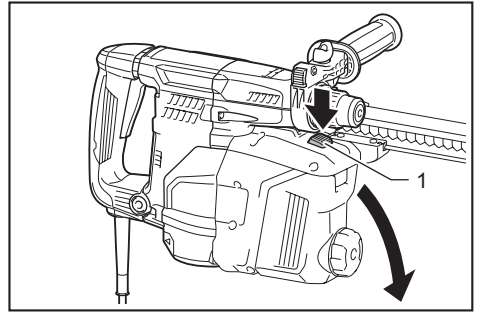
Enganche el sistema de recolección de polvo en la herramienta y luego inserte el sistema de recolección de polvo completamente, hasta que encaje en su lugar con un pequeño clic doble.

Después de esto, asegúrese de que el sistema de recolección de polvo quede instalado firmemente.



► 1. Conducto de aire

Cuando extraiga el sistema de recolección de polvo, presione el botón de desbloqueo.

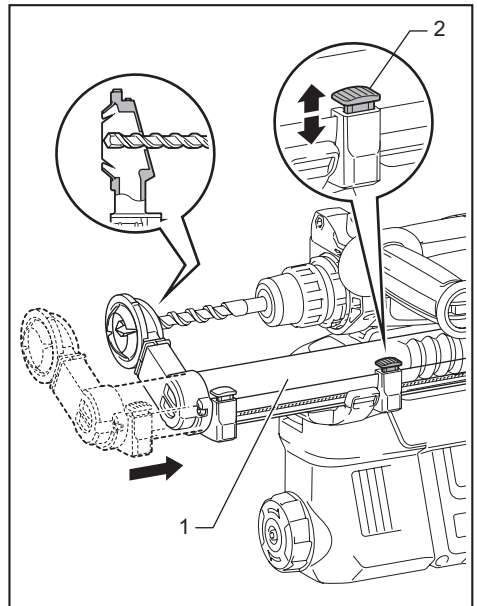


► 1. Botón de desbloqueo

Ajuste de la posición de la boquilla del sistema de recolección de polvo

PRECAUCIÓN: No apunte la boquilla hacia usted o a otros cuando libere la boquilla oprimiendo el botón de ajuste de la guía.

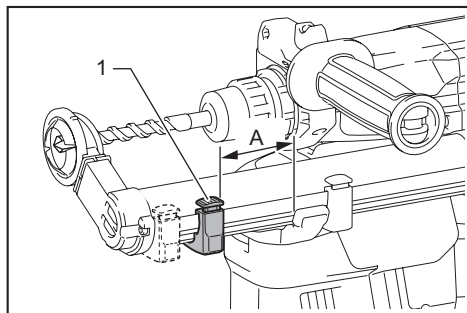
Empuje hacia adentro la guía mientras oprime el botón de ajuste de la guía y luego suelte el botón de ajuste de la guía en la posición deseada.



► 1. Guía 2. Botón de ajuste de la guía

Ajuste de la profundidad de perforación del sistema de recolección de polvo

Deslice el botón de ajuste de profundidad hasta la posición deseada mientras lo oprime. La distancia (A) es la profundidad de perforación.



► 1. Botón de ajuste de profundidad

Sacudir el polvo del filtro

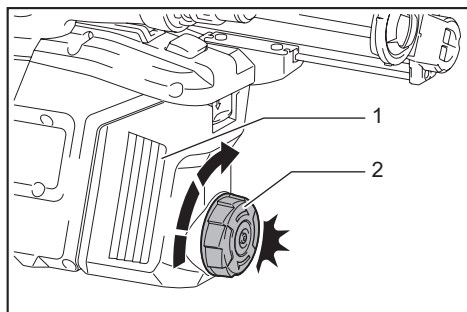
PRECAUCIÓN: No gire el selector de la caja para polvo mientras la caja para polvo se extrae del sistema de recolección de polvo. De lo contrario puede ocasionarse la inhalación de polvo.

PRECAUCIÓN: Apague siempre la herramienta antes de girar el selector de la caja para polvo. Si se gira el selector mientras la herramienta está en funcionamiento, se puede ocasionar la pérdida del control de la herramienta.

Si se sacude el polvo del filtro en el interior de la caja para polvo, se puede mantener la eficiencia de aspiración y reducir además el número de veces que hay que desechar el polvo.

Gire tres veces el selector de la caja para polvo cada vez que se acumulen 50 000 mm³ de polvo o cuando crea que el rendimiento de aspiración se ha reducido.

NOTA: 50 000 mm³ de polvo equivalen a perforar 10 orificios de \varnothing 10 mm y 14 mm de profundidad (2 orificios de \varnothing 65" y 3/8" de profundidad).



► 1. Caja para polvo 2. Selector

Eliminación del polvo

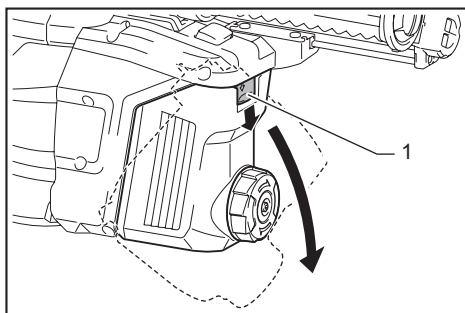
PRECAUCIÓN: Cuando vaya a proceder a eliminar el polvo, utilice una máscara contra polvo.

PRECAUCIÓN: Vacíe la caja para polvo regularmente antes de que ésta se llene. El no hacerlo podría reducir el desempeño de la recolección de polvo y causar así la inhalación de polvo.

PRECAUCIÓN: Como referencia, reemplace el filtro con uno nuevo después de aproximadamente 200 veces que la caja se haya llenado de polvo. Un filtro obstruido reduce el desempeño de la recolección de polvo y causar así la inhalación de polvo.

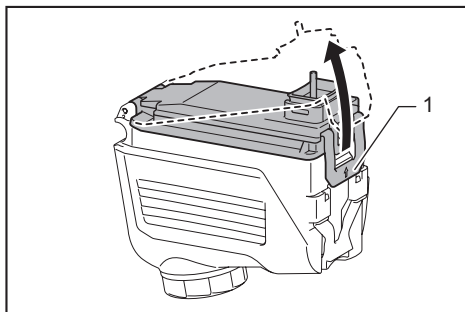
AVISO: Cuando limpie el filtro, golpee suavemente la caja del filtro con la mano para eliminar el polvo. No golpee el filtro directamente; evite tocarlo con un cepillo u objeto similar, ni sople aire comprimido al filtro. El hacerlo podría dañar el filtro.

1. Extraiga la caja para polvo mientras presiona hacia abajo la palanca de la caja para polvo.



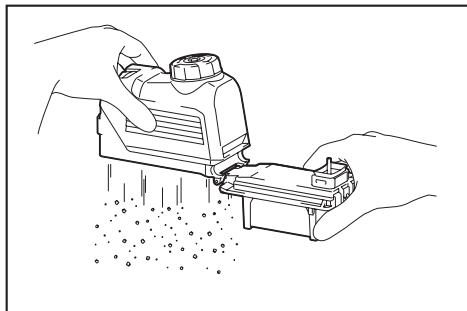
► 1. Palanca

2. Abra la cubierta de la caja para polvo.



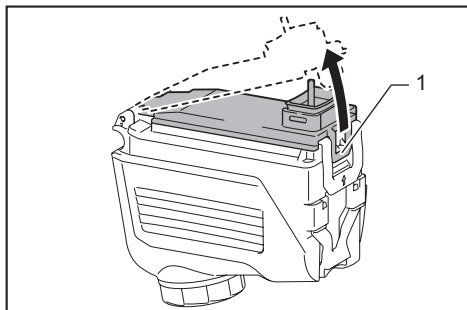
► 1. Cubierta

3. Elimine el polvo y luego limpie el filtro.



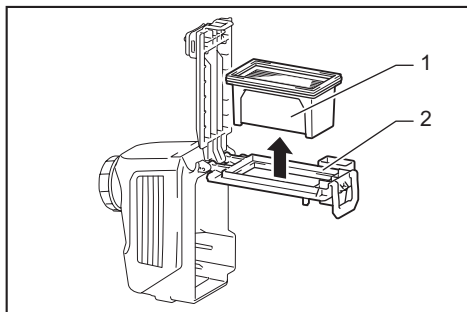
Reemplazo del filtro de la caja para polvo

1. Extraiga la caja para polvo mientras presiona hacia abajo la palanca de la caja para polvo. (Consulte la sección para eliminación del polvo.)
2. Abra la cubierta del filtro de la caja para polvo.



- 1. Cubierta del filtro

3. Extraiga el filtro de la caja del filtro.



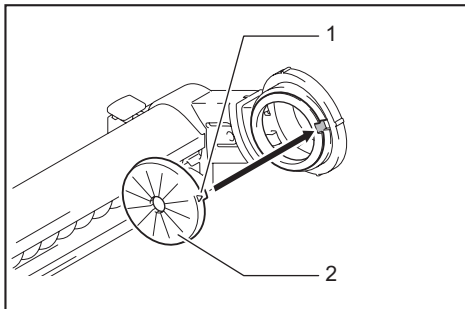
- 1. Filtro 2. Caja del filtro

4. Coloque un filtro nuevo en la caja del filtro y luego fije la cubierta del filtro.
5. Cierre la cubierta de la caja para polvo y luego fijela en el sistema de recolección de polvo.

Reemplazo del tapón sellador

Si el tapón sellador está desgastado, el desempeño de la recolección de polvo se verá reducido. Reemplácelo si presenta indicios de desgaste.

Retire el tapón sellador y luego coloque uno nuevo con su protuberancia orientada hacia arriba.



- 1. Protuberancia 2. Tapón sellador

OPERACIÓN

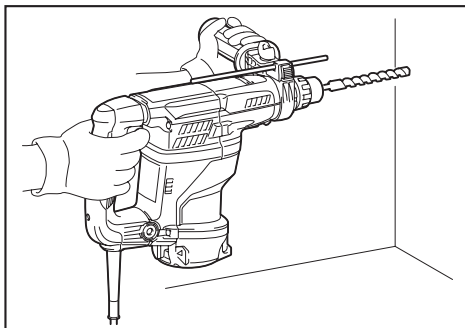
⚠PRECAUCIÓN: Utilice siempre la empuñadura lateral (mango auxiliar) y sujete firmemente la herramienta tanto de la empuñadura lateral como del mango del interruptor durante las operaciones.

⚠PRECAUCIÓN: Asegúrese siempre de que la pieza de trabajo quede asegurada antes de la operación.

⚠PRECAUCIÓN: No jale hacia afuera la herramienta con demasiada fuerza aun si la punta se atora. La pérdida de control podría causar lesiones.


⚠PRECAUCIÓN: Para los modelos HR3011FC HR3012FC solamente

Antes de utilizar el sistema de recolección de polvo con la herramienta, lea la sección sobre el sistema de recolección de polvo.



Operación de taladrado con percusión

PRECAUCIÓN: En el momento de comenzar a penetrar, cuando se obstruye el orificio con virutas y partículas, o cuando se topa contra varillas de refuerzo de concreto, se ejerce una tremenda y repentina fuerza de torsión sobre la herramienta/broca. **Utilice siempre la empuñadura lateral (mango auxiliar) y sujete firmemente la herramienta tanto de la empuñadura lateral como del mango del interruptor durante las operaciones.** El no hacerlo puede provocar la pérdida de control de la herramienta y potencialmente ocasionar lesiones graves.


Ajuste la perilla de cambio de modo de accionamiento en el símbolo .

Coloque la broca donde desee hacer el agujero y luego jale el gatillo interruptor. No fuerce la herramienta. Los mejores resultados se obtienen con una ligera presión. Mantenga la herramienta en posición y evite que se deslice y se salga del agujero.

No aplique más presión cuando el agujero se obstruya con astillas o partículas. En vez de esto, haga funcionar la herramienta sin presión y luego retire parcialmente la broca del agujero. Repitiendo esto varias veces, el agujero se limpiará y se podrá reanudar el taladrado de manera normal.

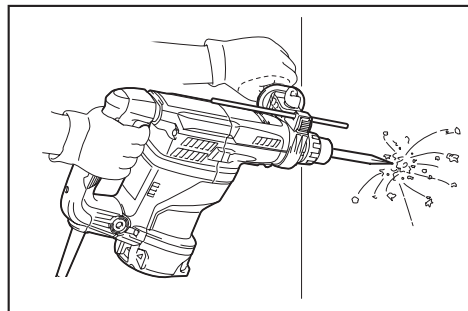
NOTA: Es posible que se produzca excentricidad en la rotación de la broca al operar la herramienta sin carga. La herramienta se centrará automáticamente durante la operación. Esto no afectará la precisión en el taladrado.

Cincelado/desincrustación/demolición

Ajuste la perilla de cambio de modo de accionamiento en el símbolo .

Sujete la herramienta firmemente con ambas manos. Encienda la herramienta y aplique una ligera presión sobre ella de manera que no rebote de forma descontrolada.

Aplique mucha presión sobre la herramienta no incrementará la eficiencia.



Taladrado en madera o metal

PRECAUCIÓN: Sujete firmemente la herramienta y tenga cuidado cuando la broca de taladro comience a penetrar en la pieza de trabajo. La fuerza ejercida en la herramienta/broca de taladro al momento de la penetración es enorme.


PRECAUCIÓN: Para extraer una broca de taladro atorada, basta simplemente con ajustar el interruptor de inversión en rotación inversa para hacerla retroceder. Sin embargo, la herramienta puede retroceder bruscamente si no la sujeta con firmeza.

PRECAUCIÓN: Asegure siempre las piezas de trabajo con un tornillo de banco o dispositivo de sujeción similar.

AVISO: Nunca use la “rotación con percusión” cuando el portabrocas adaptador esté instalado en la herramienta. Esto podría causar daños al portabrocas adaptador.

Asimismo, el portabrocas adaptador podría salirse al invertir la rotación de la herramienta.

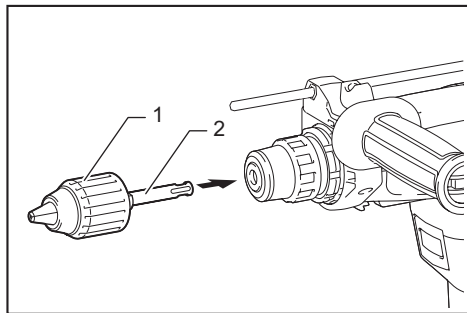
AVISO: Ejercer una presión excesiva sobre la herramienta no hará que consiga taladrar más rápido. De hecho, una presión excesiva sólo logrará dañar la punta de la broca de taladro, reducir el desempeño y acortar la vida útil de la herramienta.

Ajuste la perilla de cambio de modo de accionamiento en el símbolo .

Para los modelos HR3011FC, HR3001C

Accesorio opcional

Fije el adaptador de mandril en un portabrocas adaptador sin llave en el que pueda instalarse un tornillo que mida 1/2"-20, y después instálelos en la herramienta. Cuando lo instale, consulte la sección “Instalación o extracción de la broca”.

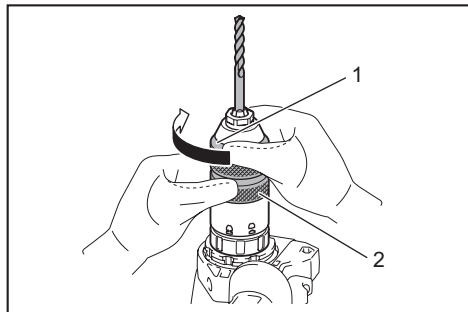


► 1. Portabrocas adaptador sin llave 2. Adaptador de mandril

Para el modelo HR3012FC

Utilice el portabrocas adaptador de cambio rápido como equipo estándar. Cuando lo instale, consulte la sección "Cambio del portabrocas de cambio rápido para SDS-plus".

Sostenga el anillo y gire el mandril en sentido inverso al de las manecillas del reloj para abrir las mordazas del portabrocas. Coloque la punta en el mandril hasta que llegue al tope. Sostenga el anillo firmemente y gire el mandril en el sentido de las manecillas del reloj para apretar el portabrocas.




► 1. Mandril 2. Anillo

Para extraer la punta, sostenga el anillo y gire el mandril en sentido inverso al de las manecillas del reloj.

Taladrado con punta de corona de diamante

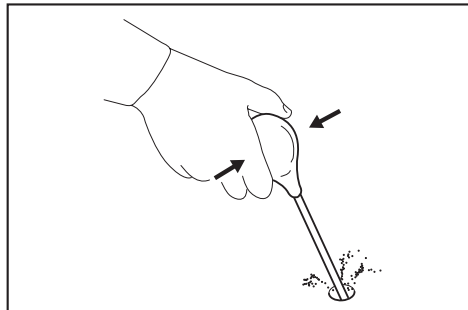
AVISO: Si realiza operaciones de taladrado con punta de corona de diamante usando la acción de "rotación con percusión", la punta de corona de diamante podría dañarse.

Cuando realice operaciones de taladrado con punta de corona de diamante, ajuste siempre la perilla de cambio de modo de accionamiento a la posición  para utilizar la acción "sólo rotación".

Soplador

Accesorio opcional

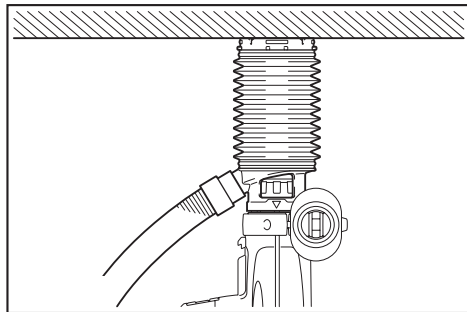
Después de perforar el agujero, utilice el soplador para limpiar el polvo del agujero.



Uso del juego contenedor de polvo

Accesorio opcional

Fije el juego contenedor de polvo contra el techo cuando opere la herramienta.



AVISO: No utilice el juego contenedor de polvo cuando perforo en metal o un material similar. Esto podría dañar el juego contenedor de polvo debido al calor producido por las pequeñas partículas de polvo de metal o material similar.

AVISO: No instale ni extraiga el juego contenedor de polvo con la broca instalada en la herramienta. Esto podría dañar el juego contenedor de polvo y causar la filtración de polvo.

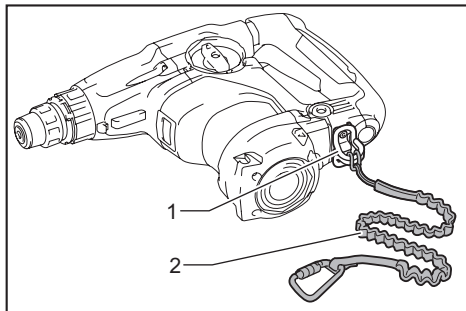
Conexión del cordel de seguridad (correa de amarre) al colgador de la herramienta

⚠ Advertencias de seguridad específicas para uso en alturas

Lea todas las advertencias de seguridad e instrucciones. El no seguir las advertencias e instrucciones podría ocasionar lesiones graves.

1. Mantenga siempre la herramienta atada cuando trabaje "en alturas". La longitud máxima del cordel es de 2 m (6,5 ft). La altura de caída máxima permisible para el cordel de seguridad (correa de amarre) no deberá superar los 2 m (6,5 ft).
2. Use únicamente con cordeles apropiados para este tipo de herramienta y clasificados para al menos 7,5 kg (16,6 lbs).
3. No ancle el cordel de la herramienta a nada en su cuerpo o a componentes móviles. Ancle el cordel de la herramienta a una estructura rígida que pueda soportar las fuerzas de una herramienta en caída.
4. Asegúrese de que el cordel esté debidamente asegurado de cada extremo previo al uso.
5. Inspeccione la herramienta y el cordel antes de cada uso para ver que no tengan daños y que funcionen correctamente (incluyendo la tela y las puntadas). No los utilice si presentan daños o no funcionan correctamente.
6. No envuelva cordeles alrededor de bordes filosos o ásperos ni permita que estos entren en contacto con ellos.

7. **Asegure el otro extremo del cordel fuera del área de trabajo de manera que la herramienta en caída esté firmemente sujeta.**
8. **Fije el cordel de forma que la herramienta se mueva lejos del operador en caso de que esta se caiga.** Las herramientas en caída se balancean en el cordel, lo que puede ocasionar lesiones o la pérdida del equilibrio.
9. **No la utilice cerca de piezas móviles o maquinaria funcionando.** El hacerlo podría ocasionar riesgo de choque o enredo.
10. **No transporte la herramienta sujetándola del dispositivo de atadura o el cordel.**
11. **Cargue la herramienta únicamente entre sus manos mientras mantenga bien el equilibrio.**
12. **No sujete cordeles de seguridad a la herramienta de manera que evite que los interruptores o el bloqueo para el gatillo (de ser suministrado) funcionen correctamente.**
13. **Evite enredarse en el cordel.**
14. **Mantenga el cordel de seguridad alejado del área de perforación de la herramienta.**
15. **Use mosquetones de tipo multiacción y de tipo seguro de rosca. No use mosquetones de tipo acción única con gancho de resorte.**
16. **En caso de que la herramienta llegue a caerse, esta debe etiquetarse, sacarse de servicio y ser inspeccionada por una fábrica o centro de servicio autorizado Makita.**



- 1. Colgador de la herramienta 2. Cordel de seguridad (correa de amarre)

MANTENIMIENTO

PRECAUCIÓN: Asegúrese siempre de que la herramienta esté apagada y desconectada antes de realizar cualquier trabajo de inspección o mantenimiento.

AVISO: Nunca use gasolina, bencina, diluyente (tíner), alcohol o sustancias similares. Puede que esto ocasione grietas o decoloramiento.

Para mantener la SEGURIDAD y FIABILIDAD del producto, las reparaciones, y cualquier otra tarea de mantenimiento o ajuste deberán ser realizadas en centros de servicio autorizados o de fábrica Makita, empleando siempre repuestos Makita.

ACCESORIOS OPCIONALES

PRECAUCIÓN: Estos accesorios o aditamentos están recomendados para utilizarse con su herramienta Makita especificada en este manual. El empleo de cualquier otro accesorio o aditamento puede conllevar el riesgo de lesiones personales. Utilice los accesorios o aditamentos solamente para su fin establecido.

Si necesita cualquier ayuda para más detalles en relación con estos accesorios, pregunte a su centro de servicio local Makita.

- Brocas con puntas de carburo (puntas de carburo SDS-Plus)
- Punta de corona
- Cíncel de punta
- Punta de corona de diamante
- Cíncel plano
- Cíncel de desincrustación
- Cíncel de ranurado
- Adaptador de mandril
- Portabrocas adaptador sin llave
- Grasa para puntas
- Calibrador de profundidad
- Soplador
- Contenedor de polvo
- Juego contenedor de polvo
- Espaciador (para los modelos HR3011FC, HR3001C)
- Sistema de recolección de polvo (para los modelos HR3011FC, HR3012FC)
- Gafas de seguridad
- Colgador de la herramienta

NOTA: Algunos de los artículos en la lista pueden incluirse en el paquete de la herramienta como accesorios estándar. Éstos pueden variar de país a país.

GARANTÍA LIMITADA DE MAKITA

Ésta Garantía no aplica para México

Consulte la hoja de la garantía anexa para ver los términos más vigentes de la garantía aplicable a este producto. En caso de no disponer de esta hoja de garantía anexa, consulte los detalles sobre la garantía descritos en el sitio web de su país respectivo indicado a continuación.

Estados Unidos de América: www.makitatools.com

Canadá: www.makita.ca

Otros países: www.makita.com

< USA only >

WARNING

Some dust created by power sanding, sawing, grinding, drilling, and other construction activities contains chemicals known to the State of California to cause cancer, birth defects or other reproductive harm. Some examples of these chemicals are:

- lead from lead-based paints,
- crystalline silica from bricks and cement and other masonry products, and
- arsenic and chromium from chemically-treated lumber.

Your risk from these exposures varies, depending on how often you do this type of work. To reduce your exposure to these chemicals: work in a well ventilated area, and work with approved safety equipment, such as those dust masks that are specially designed to filter out microscopic particles.

< Sólo en los Estados Unidos >

ADVERTENCIA

Algunos polvos creados por el lijado, aserrado, esmerilado, taladrado y otras actividades de la construcción contienen sustancias químicas reconocidas por el Estado de California como causantes de cáncer, defectos de nacimiento y otros peligros de reproducción. Algunos ejemplos de estos productos químicos son:

- plomo de pinturas a base de plomo,
- sílice cristalino de ladrillos y cemento y otros productos de albañilería, y
- arsénico y cromo de maderas tratadas químicamente.

El riesgo al que se expone varía, dependiendo de la frecuencia con la que realice este tipo de trabajo. Para reducir la exposición a estos productos químicos: trabaje en un área bien ventilada y póngase el equipo de seguridad indicado, tal como las máscaras contra polvo que están especialmente diseñadas para filtrar partículas microscópicas.

Makita Corporation

3-11-8, Sumiyoshi-cho,
Anjo, Aichi 446-8502 Japan

www.makita.com

885772A943
HR3011FC-1
EN, FRCA, ESMX
20200627