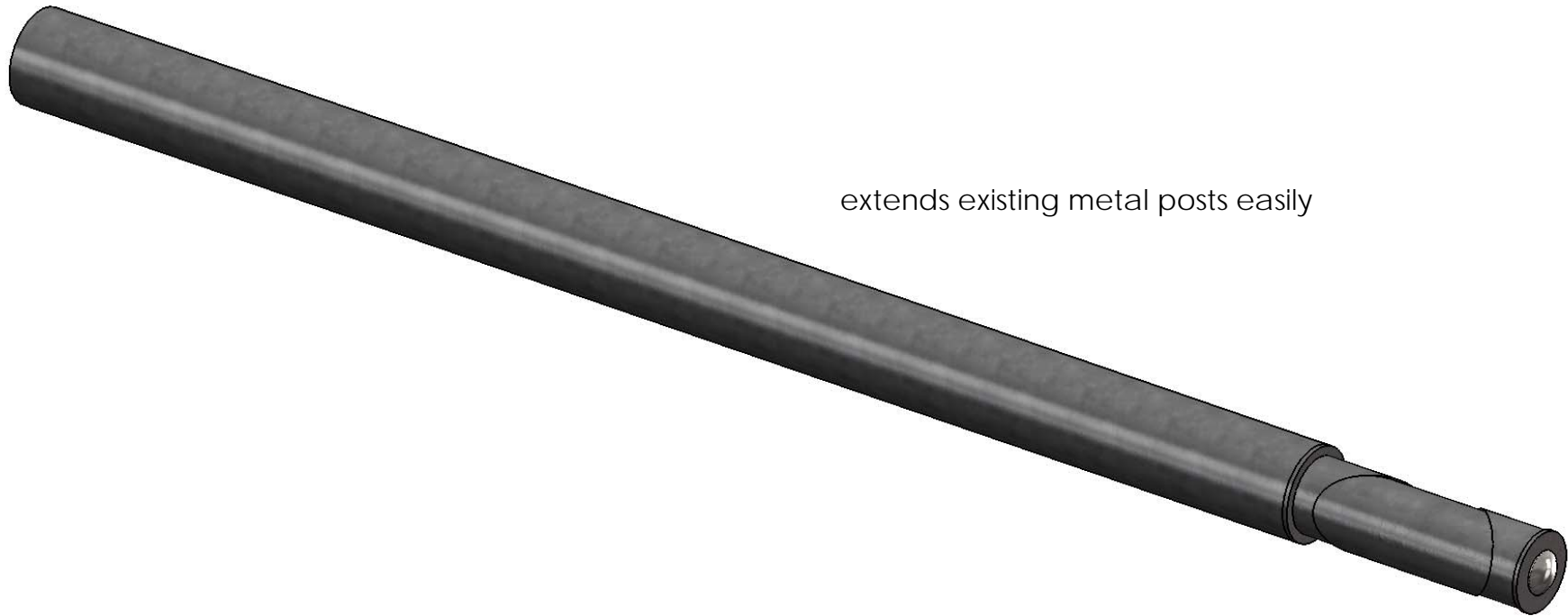


Installation Instructions, 20550 OZ-Post Post Extender (OZ-PST-EXT)



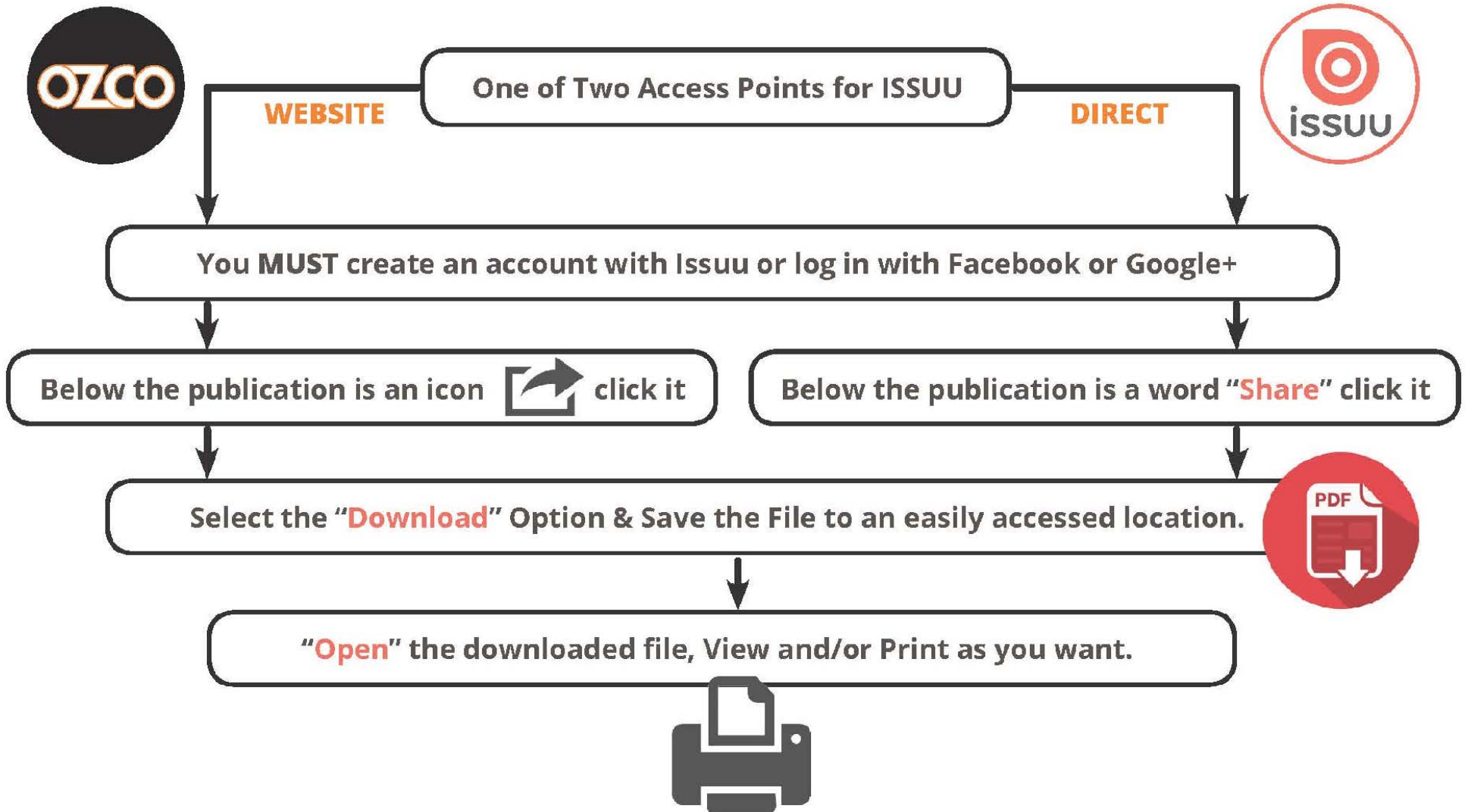
extends existing metal posts easily

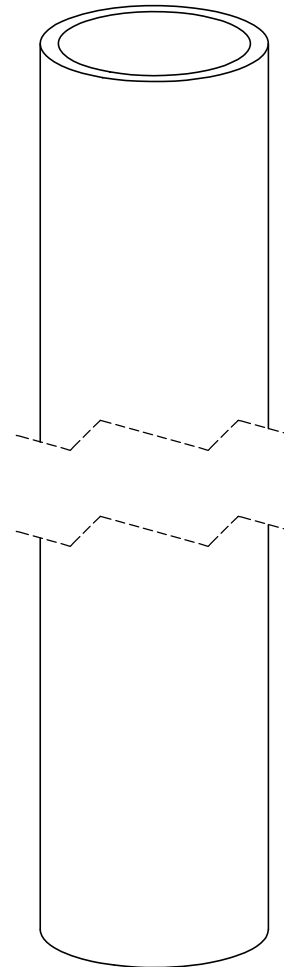
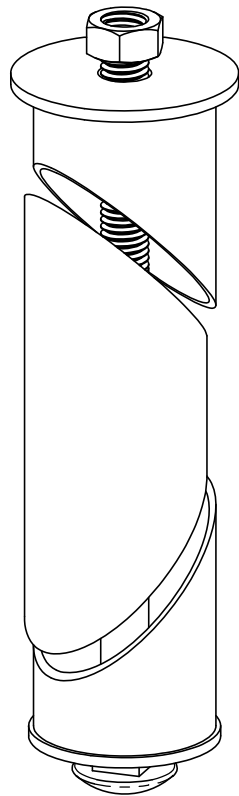




Printing Documents from ISSUU

Unfortunately, there is currently no way to print content directly through issuu. To print a publication, you will need to download it and print it from your computer.

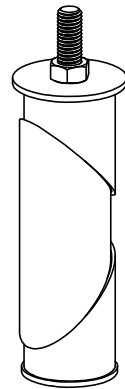




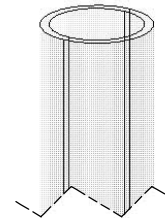
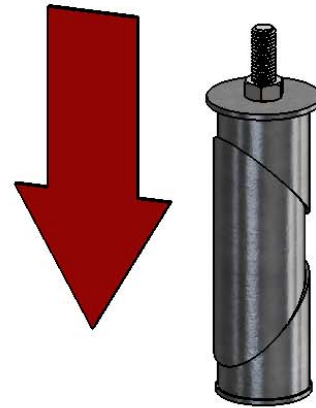
Ø 2-3/8 pipe extension (3' length)

Overview

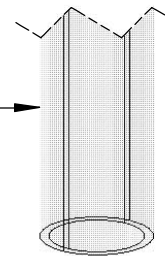
Installation Instructions, 20550 OZ-Post Extender



assemble as shown, but
loose enough to slide
into existing metal post

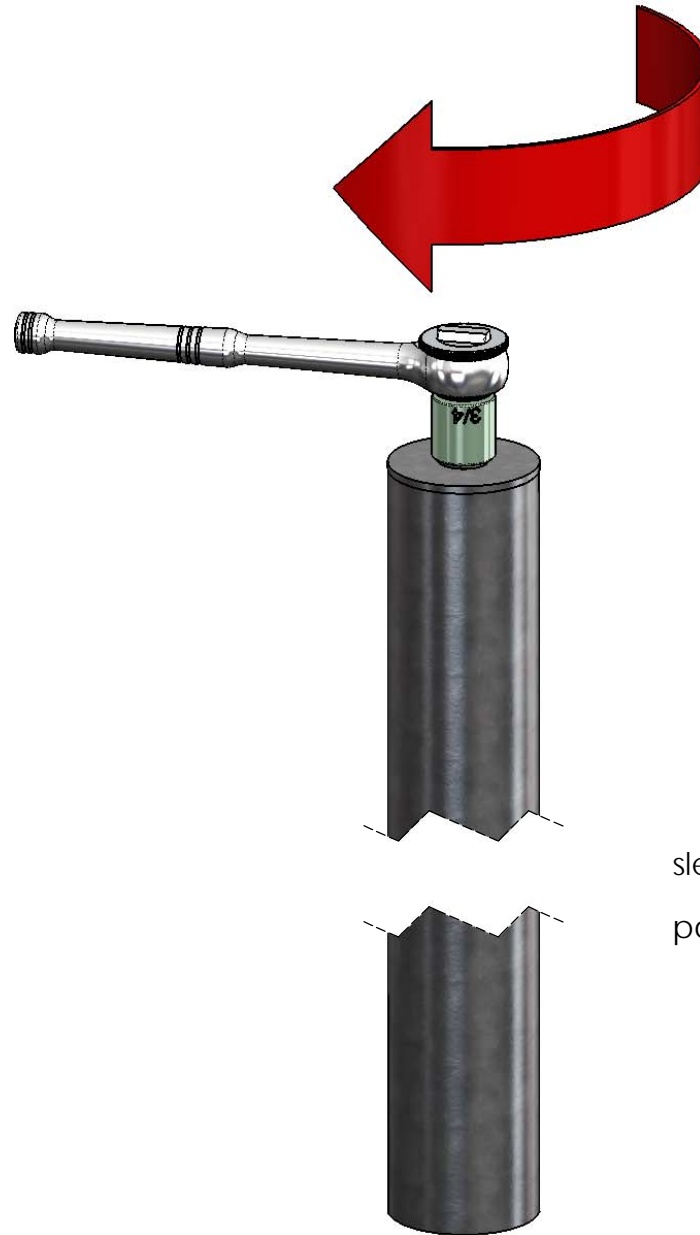


existing metal post →



step 1

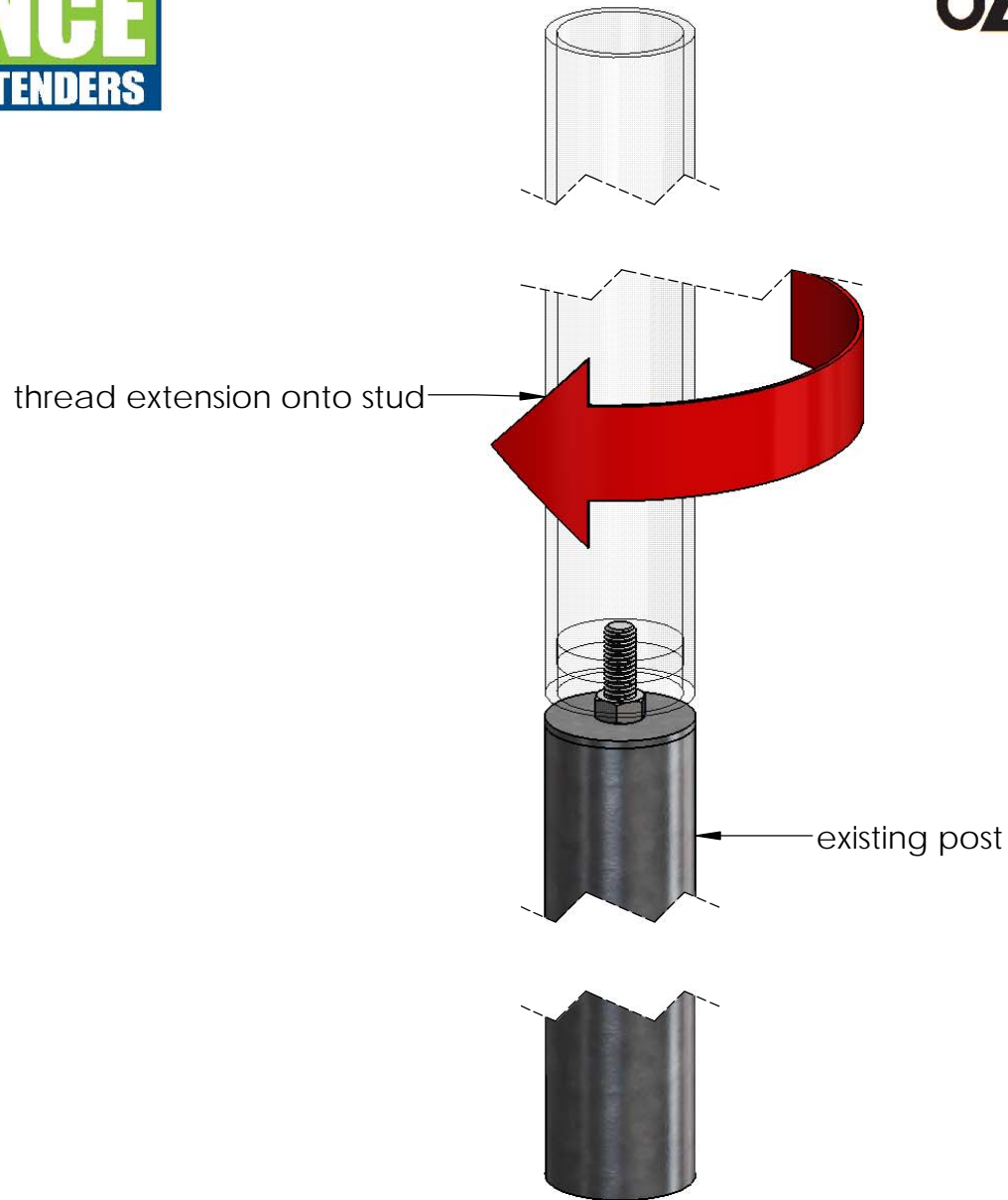
Installation Instructions, 20550 OZ-Post
Extender



as nut tightens, middle sleeve is drawn upward and expands to ID of post, securing assembly

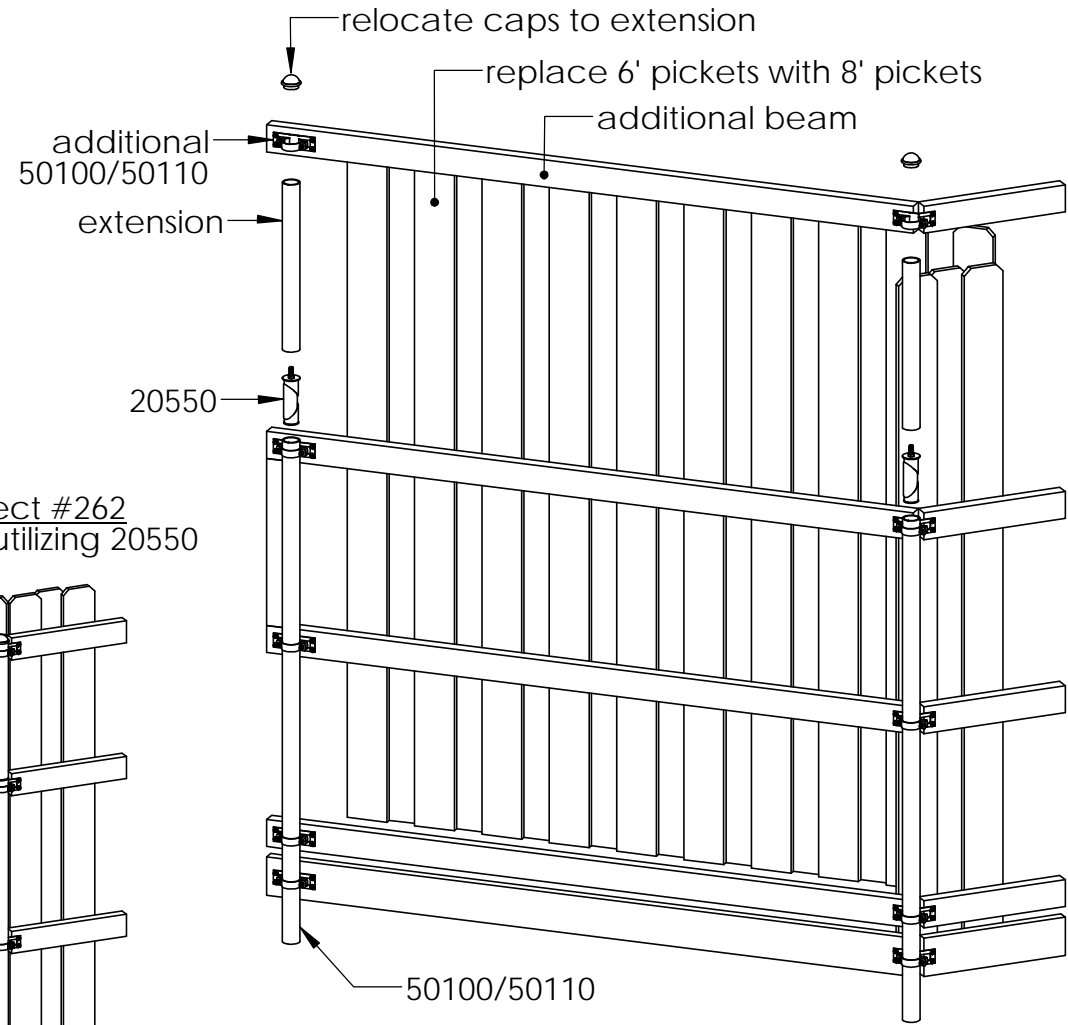
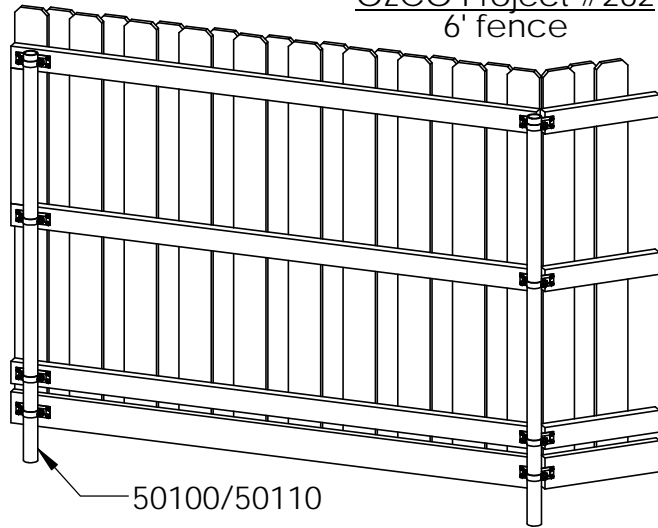


step 2



step 3

OZCO Project #262
6' fence



OZCO Project #262
extended to 8' utilizing 20550



OZCO Project #262
extended to 8' utilizing 20550
(exploded view)

Typical Installation 20550

Installation Instructions, 20550 OZ-Post Extender