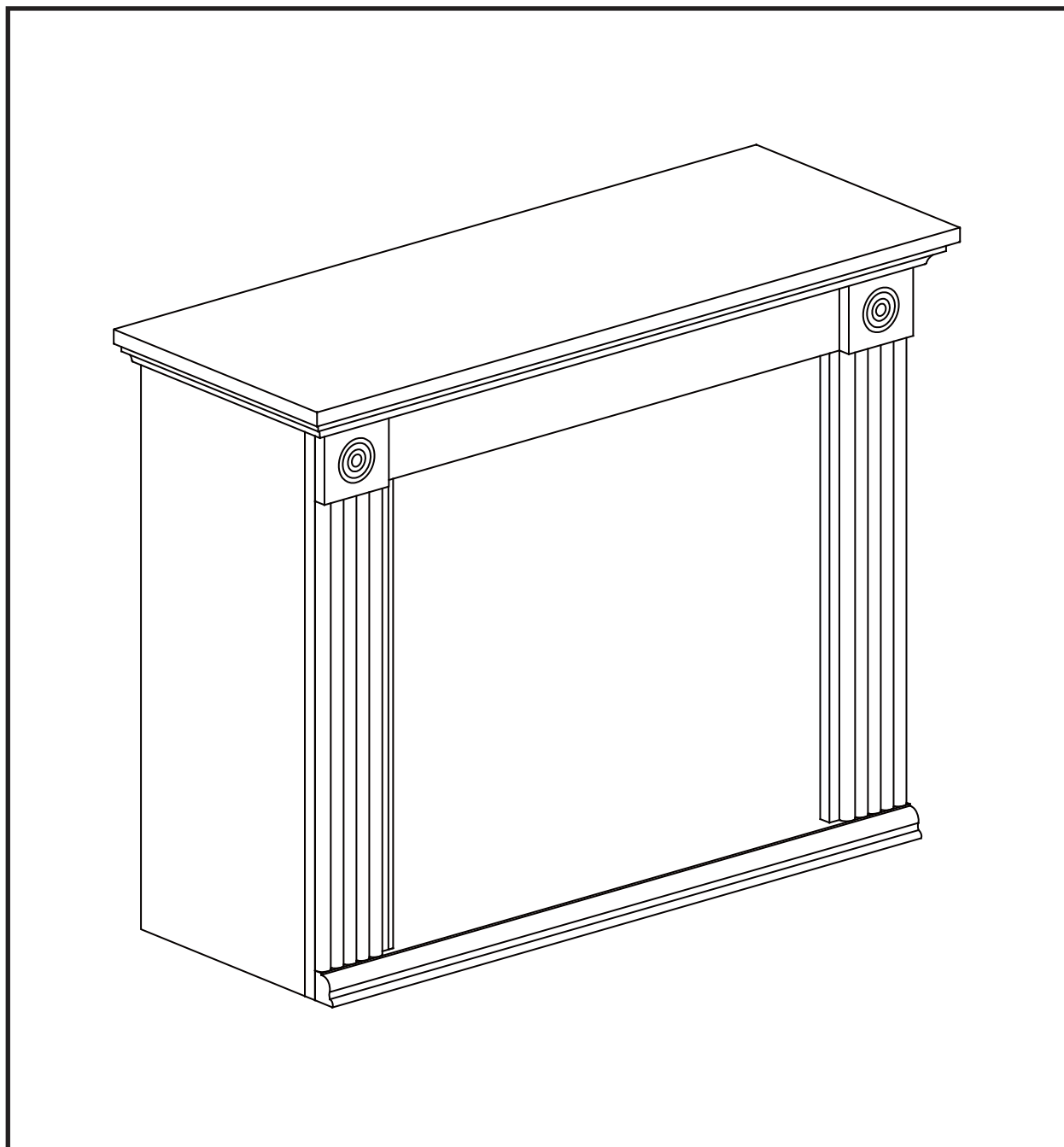


# WOOD FIREPLACE MANTEL

## 23WM901

### WOOD MANTEL ASSEMBLY INSTRUCTIONS



Twin-Star International, Inc.  
Delray Beach, FL 33483

Made in China  
Printed in China

For Customer Service:

E-mail: [parts@twinstarhome.com](mailto:parts@twinstarhome.com)

In English call: 866-661-1218

In French call: 866-374-9203

In Spanish call: 866-661-1218

**ATTENTION**

ALSO Requires- Electric  
Fireplace Insert by Charmglow

## GETTING STARTED

1. Before assembly, CAREFULLY use scissors or utility knife to cut and unwrap all parts. MAKE SURE YOU DO NOT DISCARD THE HARDWARE.
2. Make sure that you have all the parts listed. If you are missing any parts please email Customer Service: parts@twinstarhome.com, or call 1-866-661-1218 in English, 1-866-374-9203 in French, 1-866-661-1218 in Spanish. Please identify the parts you need, and model number. Make sure to include your name and address.



### CAUTION:

**DO NOT MOVE MANTEL OR INSERT WHILE PLUGGED INTO POWER SUPPLY.**

### HELPFUL HINTS

- Some steps are more easily handled with two adults.
- WHEN INSTALLING OR REMOVING THE ELECTRIC INSERT, MOVE FROM THE BACK OF THE FIREPLACE SO AS NOT TO SCRATCH THE HEARTH/BASE.
- Use care in assembling your new fireplace, take your time and use the hardware provided and a quality Phillips head screwdriver. NEVER OVER TIGHTEN BOLTS.
- Do not sit on top of the mantel.

**Please read All “Electric Fireplace Insert” instructions prior to installing Electric Insert in your completed Fireplace Mantel. Install the insert in your fireplace close to its final position. Move your completed unit only short distances. Move completed unit with great care. It takes two people to move completed unit into its position.**

1. Remove the two mounting brackets **attached** to the back of the Left and Right Front panels. Set aside with the wood screws.
2. Lift insert carefully into the back of the unit and center in the insert opening. Do not drag insert across Base/Hearth as it may scratch your unit.
3. Install the mounting brackets to hold insert flush against the inside of the mantel.

