

**Features**

- Magnification: 5X
- Finish: Polished Chrome
- Wattage: 11W
- Power: Universal 100-240V - Built in Driver
- Color Rendering Index (CRI): 95
- Rated Life of LED Lights: 20,000 Hours
- Continuously Adjustable Light Range: Cool to Warm
- Brightness Range: Continuous from 610 Lux to 1245 Lux
- Auto-Off: After 10 Minutes
- Back Plate Dimensions: 3.0" W x 3.0" H


**Beauty 500T**



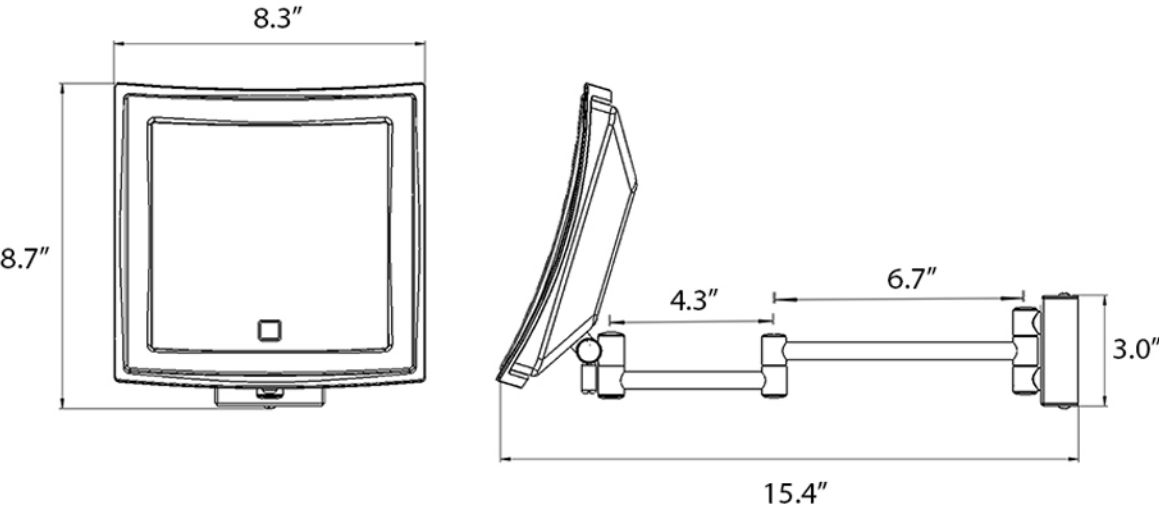
**Finishes**



Polished Chrome

<p><b>Collection</b> Beauty</p>	<p><b>Model  </b> Beauty 500T</p>	<p>Dimensions Metric <i>1 inch = 2.54 cm</i> <i>1 inch = 25.4 mm</i></p>	 <p>1051 Lea Drive - Collegeville, PA 19426 Tel. 215 513 9400 - Fax 610 831 0215 <a href="http://www.ws bathcollections.com">www.ws bathcollections.com</a> - <a href="mailto:info@ws bathcollectins.com">info@ws bathcollectins.com</a></p>
-------------------------------------	---------------------------------------	--	---

# Product Specs Sheets



**Collection**  
Beauty

**Model** |  
Beauty 500T

Dimensions Metric  
*1 inch = 2.54 cm*  
*1 inch = 25.4 mm*



1051 Lea Drive - Collegeville, PA 19426  
 Tel. 215 513 9400 - Fax 610 831 0215  
[www.ws bathcollections.com](http://www.ws bathcollections.com) - [info@ws bathcollectins.com](mailto:info@ws bathcollectins.com)