

# Assembly Instruction Sheet

Item# 200-XX 18" Director Chair Frame

Item# 021-XX 18" Director Chair Cover

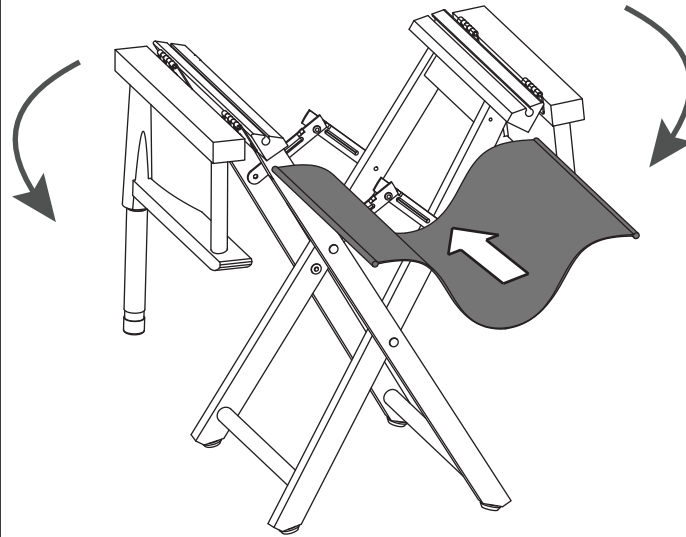
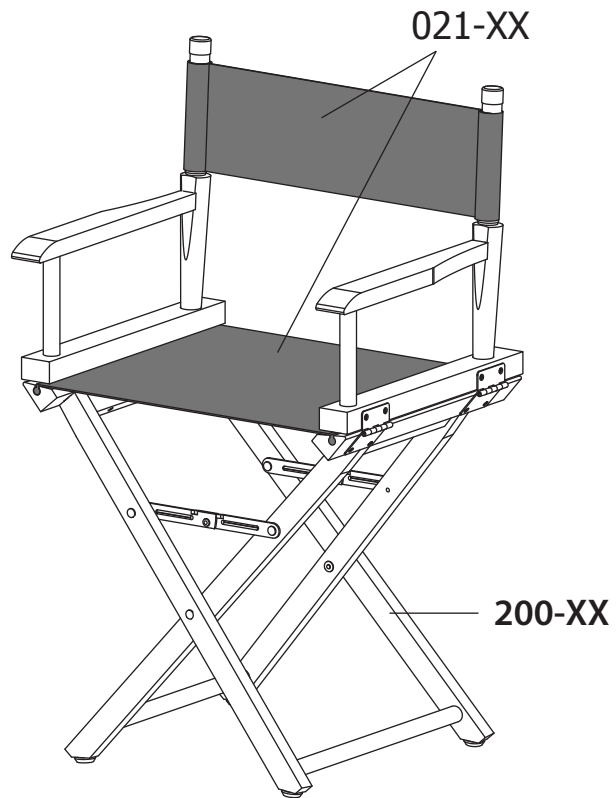


Diagram 1.

**Step 1:** Fold arms and pull leg a bit close together to slide seat cover into the grooves as per diagram 1.

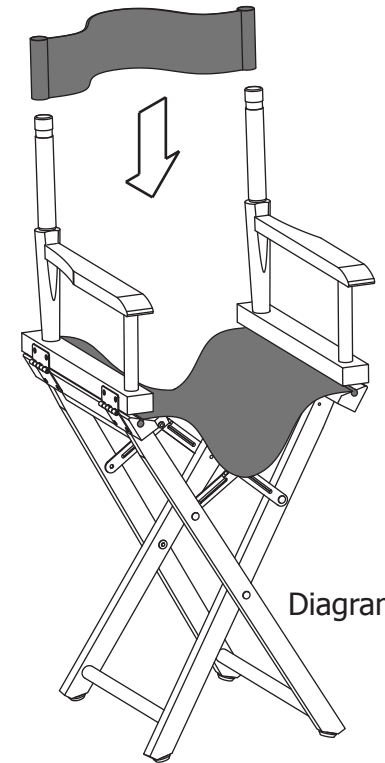


Diagram 2.

**Step 2:** Raise arms and slip back cover over posts. as per diagram 2.

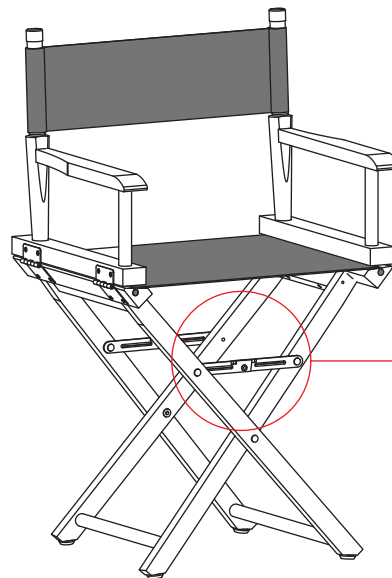
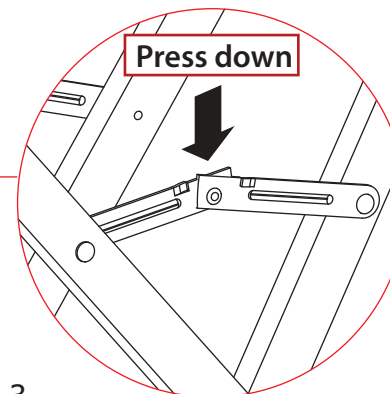


Diagram 3.



**Step 3:** Press down front and rear leg's hinges to lock the position as per diagram 3.