

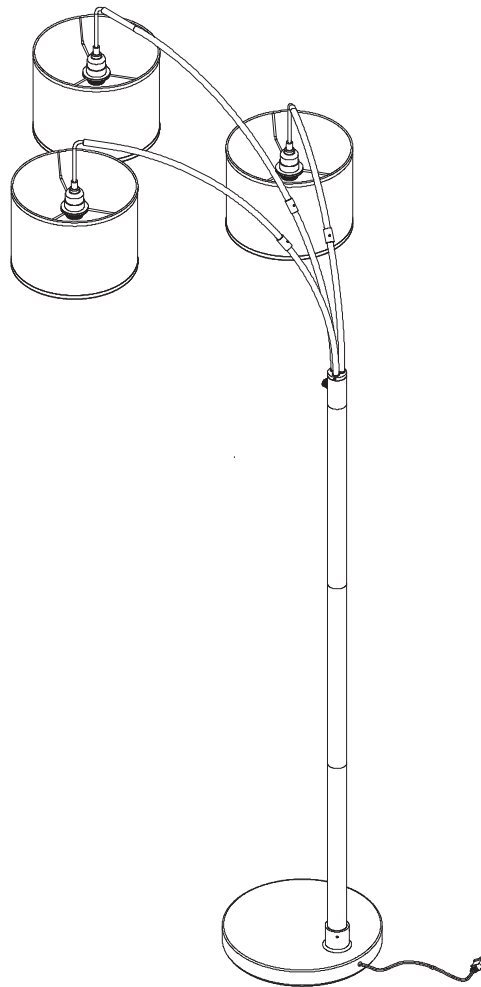


Item #1001731 456

Model #AF40818SA

USE AND CARE GUIDE

FLOOR LAMP



Questions, problems, missing parts? Before returning to the store,
call Hampton Bay Customer Service
8 a.m. - 7 p.m., EST, Monday-Friday, 9 a.m. - 6 p.m., EST, Saturday

1-855-HD-HAMPTON

HAMPTONBAY.COM

THANK YOU

We appreciate the trust and confidence you have placed in Hampton Bay through the purchase of this floor lamp. We strive to continually create quality products designed to enhance your home. Visit us online to see our full line of products available for your home improvement needs. Thank you for choosing Hampton Bay!


Table of Contents

Table of Contents.....	2	Package Contents	3
Safety Information.....	2	Assembly	4
Warranty.....	2	Care and Cleaning	8
One (1) Year Warranty	2	Troubleshooting.....	8
What is Covered	2	Service Parts	9
What is Not Covered	2	Model Type	9
Pre-Assembly	3		
Planning Assembly.....	3		

Safety Information

READ AND SAVE THESE INSTRUCTIONS.

1. This product has been manufactured with the highest standards of safety and quality.
2. For energy savings, this portable luminaire has been engineered to safely use an LED bulb in place of an incandescent bulb.
3. Before assembling your portable luminaire, spread all parts out on a clean flat surface. Inspect each part for defects that may have occurred during shipping.

 **IMPORTANT:** Inspect the wire insulation for any cuts, abrasions, or exposed copper that may have occurred during shipping. If there is a defect in the wire, do not continue the assembly process. Please call the Customer Service Team at 1-855-HD-HAMPTON.

Warranty

ONE (1) YEAR WARRANTY

WHAT IS COVERED

The manufacturer warrants this fixture to be free from defects in materials and workmanship for a period of one (1) year from date of purchase. This warranty applies only to the original consumer purchaser and only to products used in normal use and service. If this product is found to be defective, the manufacturer's only obligation, and your exclusive remedy, is the repair or replacement of the product at the manufacturer's discretion, provided that the product has not been damaged through misuse, abuse, accident, modifications, alteration, neglect, or mishandling. This warranty shall not apply to any product that is found to have been improperly installed, set-up, or used in any way not in accordance with the instructions supplied with the product. This warranty shall not apply to a failure of the product as a result of an accident, misuse, abuse, negligence, alteration, faulty installation, or any other failure not relating to faulty material or workmanship. This warranty shall not apply to the finish on any portion of the product, such as surface and/or weathering, as this is considered normal wear and tear.

WHAT IS NOT COVERED

The manufacturer does not warrant and specifically disclaims any warranty, whether expressed or implied, of fitness for a particular purpose, other than the warranty contained herein. The manufacturer specifically disclaims any liability and shall not be liable for any consequential or incidental loss or damage, including but not limited to any labor/expense costs involved in the replacement or repair of said product.

Contact the Customer Service Team at 1-855-HD-HAMPTON or visit www.hamptonbay.com.

Pre-Assembly

PLANNING ASSEMBLY

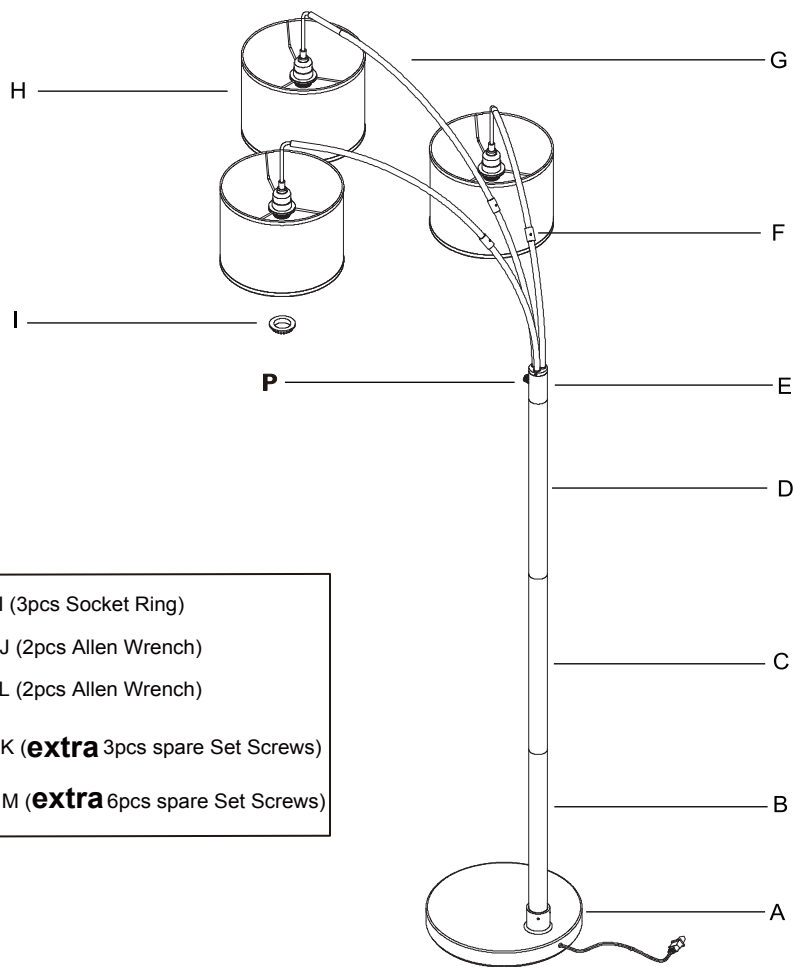
Read all instructions before assembly.






To avoid damaging this product, assemble it on a soft, non-abrasive surface such as carpet or cardboard.



NOTE: You can use a 60-Watt maximum type "A" bulb or 9-Watt maximum LED bulb (sold separately) for all three lights.

PACKAGE CONTENTS



	I (3pcs Socket Ring)
	J (2pcs Allen Wrench)
	L (2pcs Allen Wrench)
	K (extra 3pcs spare Set Screws)
	M (extra 6pcs spare Set Screws)

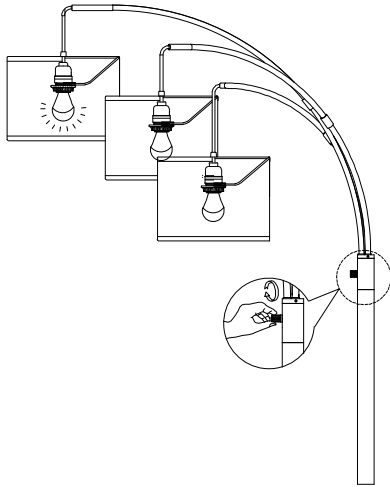
Part	Description	Quantity
A	Base	1
B	Tube	1
C	Tube	1
D	Tube	1
E	Tube connector	1
F	Tube	1
G	Tube	3

Part	Description	Quantity
H	Lamp Shade	3
I	Socket Ring	3
J	Allen Wrench	2
K	Set Screw	3
L	Allen Wrench	2
M	Set Screw	6
P	Switch	1

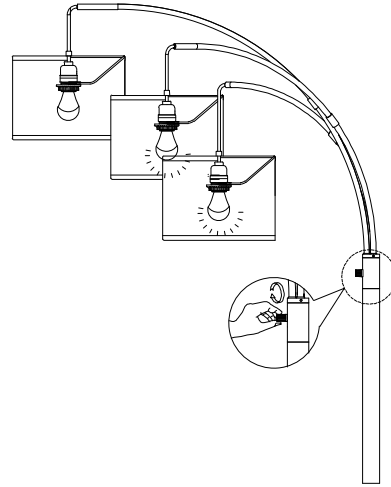
Switch Function

Easy to use 4-way rotary switch on pole.

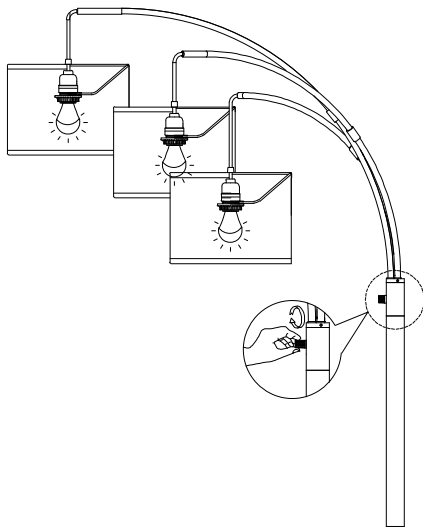
(1) One ON



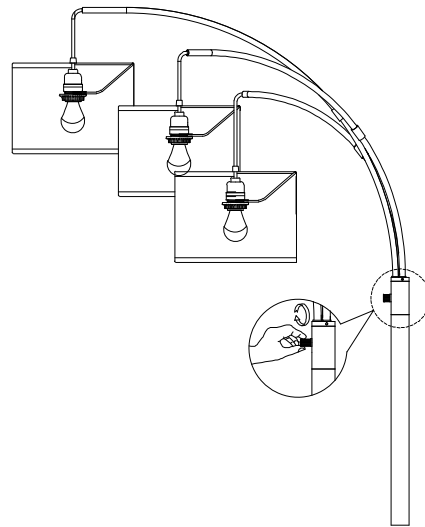
(2) Two ON



(3) ALL ON



(4) ALL OFF



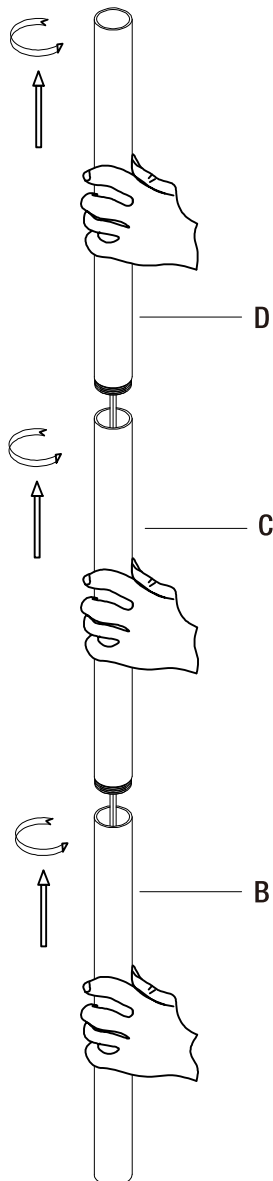
Assembly

1 Connecting the tubes

- Tighten tube (B) onto tube (C).
- Tighten tube (C) onto tube (D).



NOTE: Do not twist the power cord.

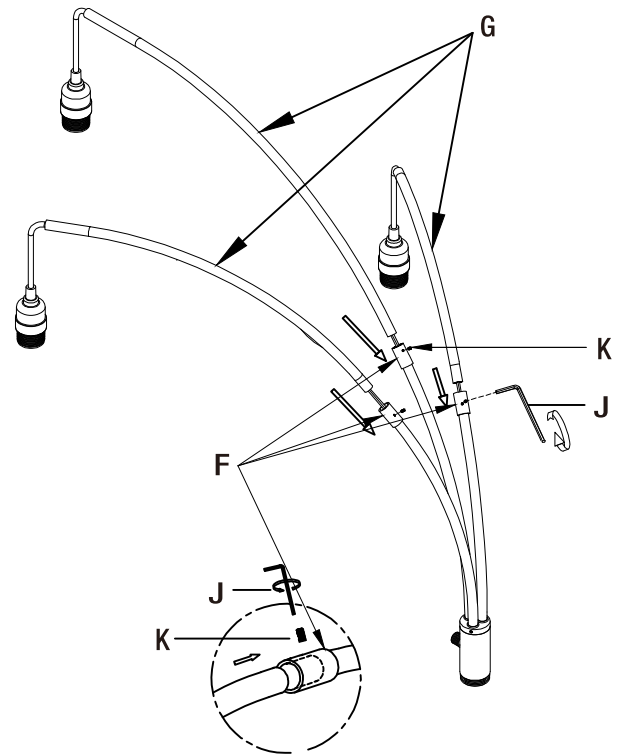


2 Assembling the arms

- Insert tube (G) into tube connector (F).
- Secure tubes together by fastening the set screws (K) with Allen Wrench (J).
- Set screws (K) are pre-inserted in tube connector (F). All three arms follow the above same assembly steps.



NOTE: Do not twist the power cord.



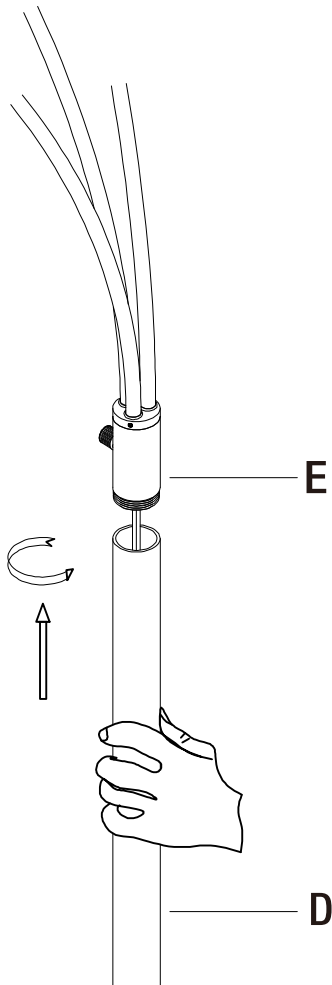
Assembly (continued)

3 Connecting the arms to the tube

- Screw tube (D) onto the arm (E).



NOTE: Do not twist the power cord.
Be sure to screw the bottom tube. Line up the tubes straight to avoid stripping the threads.

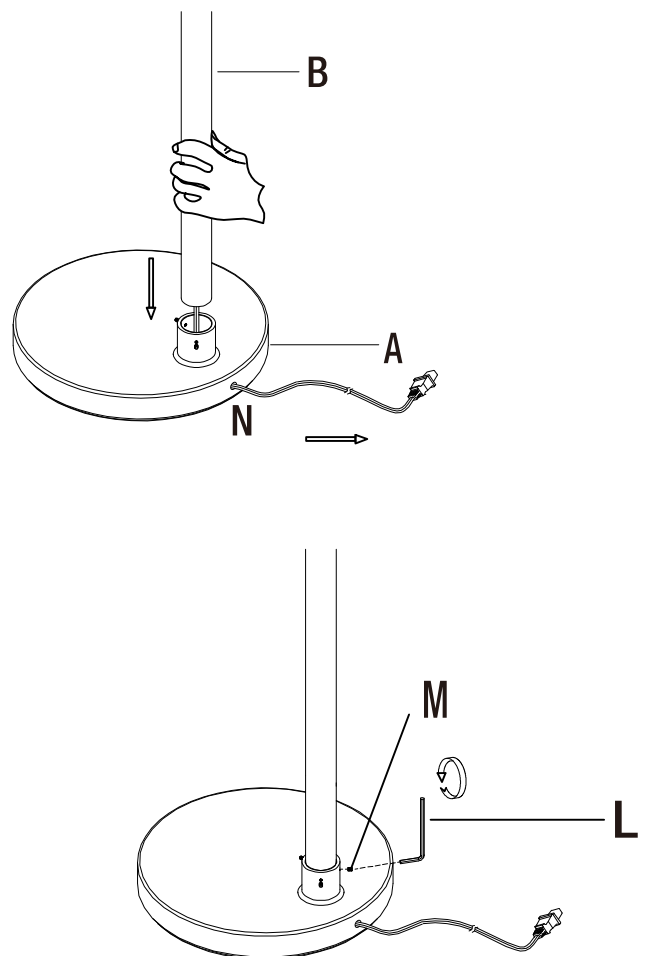


4 Connecting tube to the base

- Pull the excess power cord through the base (A) from point N.
- Insert tube (B) into base (A).
- Face the arms forward over the front of the base so the lamp is properly balanced, then fasten it by three set screws (M) with Allen Wrench (L). Set screws (M) are pre-inserted in the lamp base.



NOTE: Do not twist the power cord.

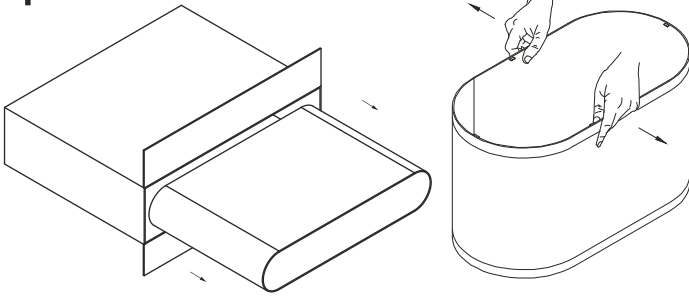


Assembly (continued)

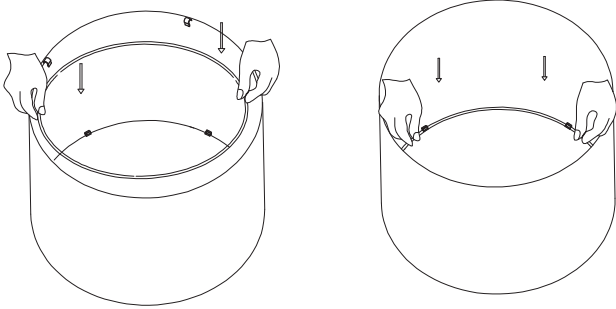
5 Assemble the KD shade

- Take the shade out from the inner box and extend it.
- Put the bottom ring down into the shade and fix the ring by snapping the ring into clips.
- Turn shade over.
- Set the UNO ring flat on a table. Grab the raised UNO ring and put the UNO ring down into shade and fix the UNO ring by snapping into the clips.

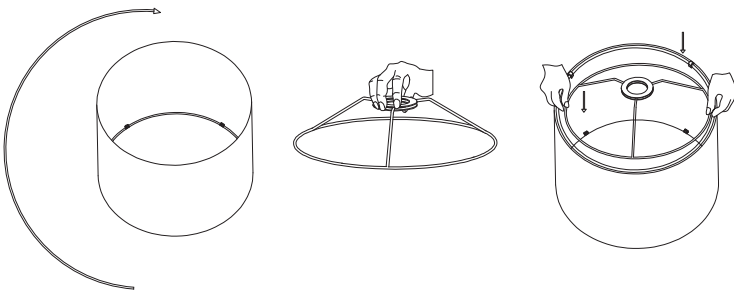
1



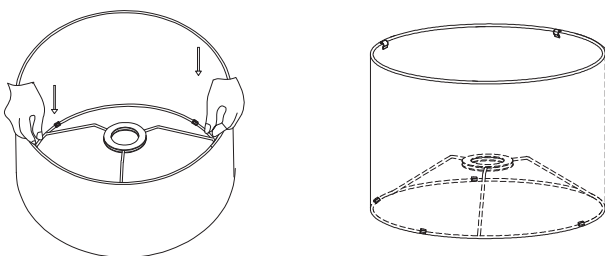
2



3

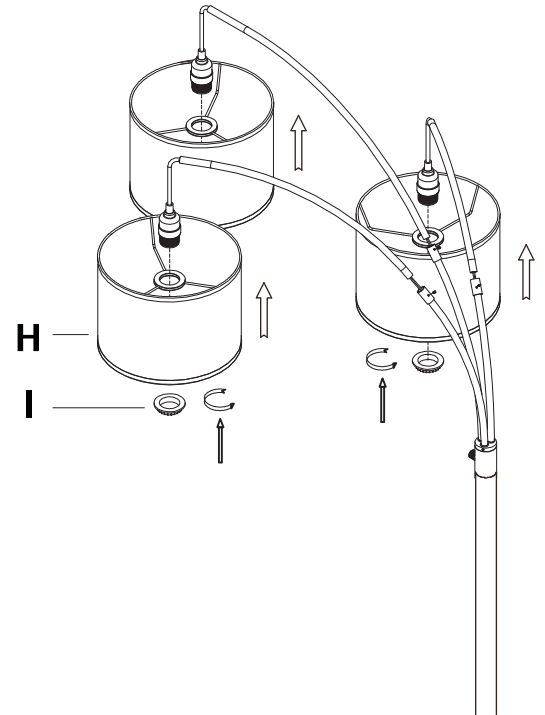


4



6 Attach the shade to the sockets

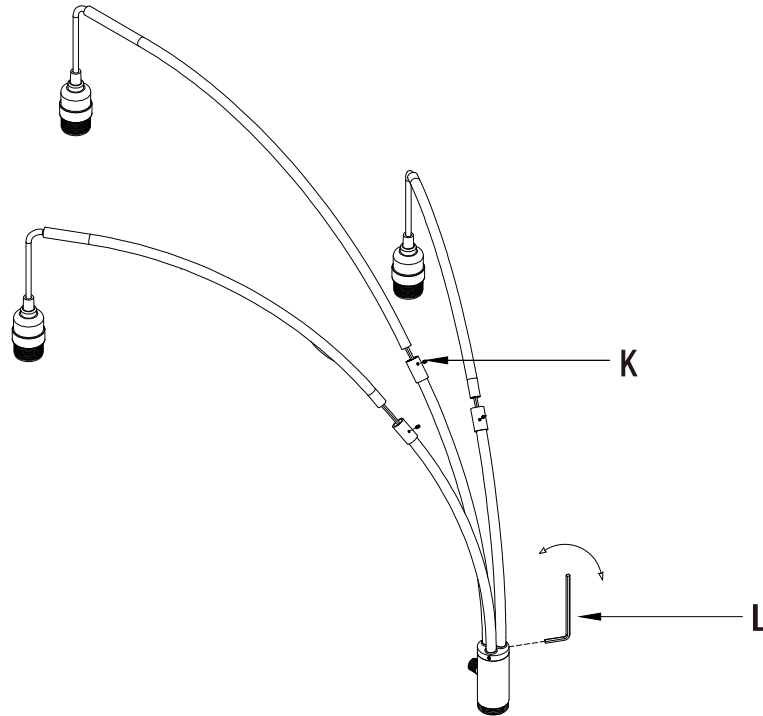
- Take out the socket ring (I) from accessories bag.
- Hold shade (H) on socket while attaching socket ring (I) to secure the shade (H) to the sockets.



Assembly (continued)

7 Adjust Arms Direction

- If you like to adjust the arms direction use Allen wrench(L) to unscrew (K) and adjust the arms to your satisfaction screw back (K) to tighten.



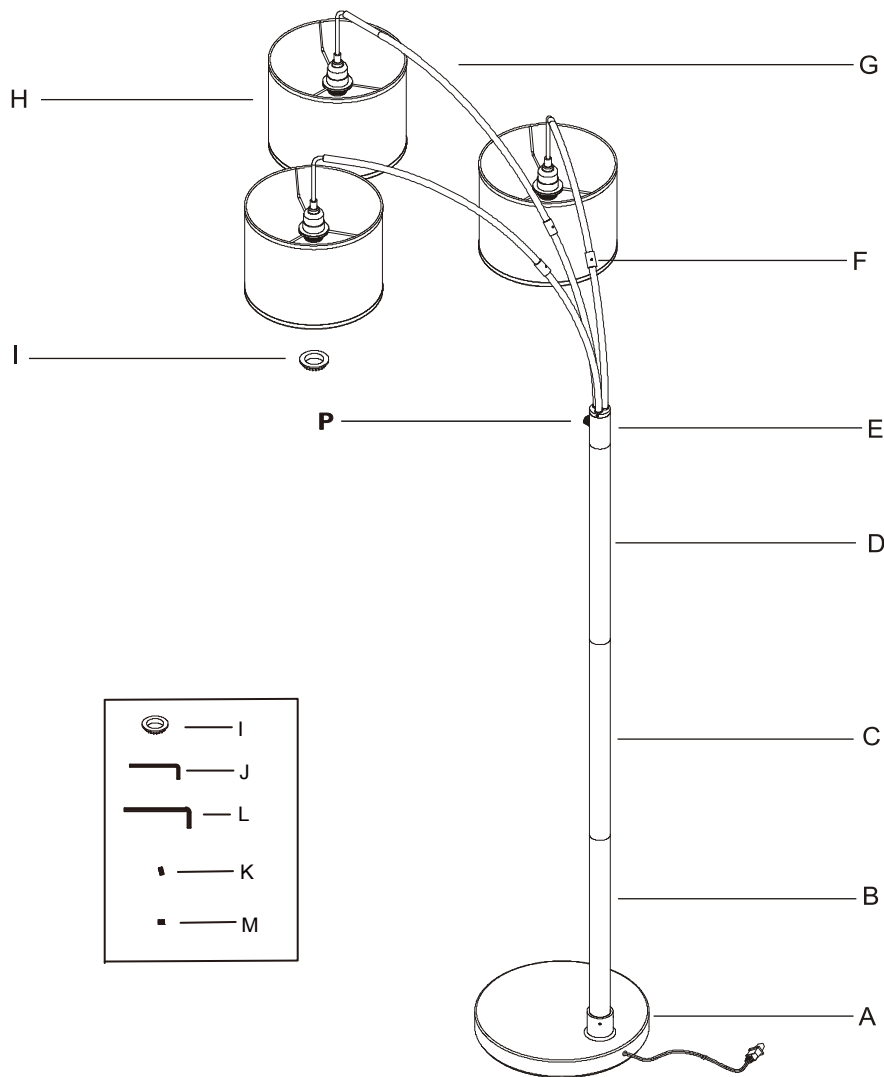
Care and Cleaning

- Use a dry, soft cloth to dust or wipe carefully.
- Do not clean with abrasive materials, bleach, or solvents.

Troubleshooting

Problem	Possible Cause	Solution
The bulb will not light.	The bulb is burned out.	Replace the light bulb.
	The power is off.	Ensure the power supply is turned on.
	The cord is not plugged in.	Ensure the cord is plugged into an outlet.
	The circuit breaker is off.	Ensure the circuit breaker is set in the "ON" position.
The fuse blows, or a circuit breaker trips, when the light is turned on.	There is an exposed wire.	Discontinue use of the lamp. Unplug the unit from the wall. Contact a qualified electrician or call the Customer Service Team at 1-855-HD-HAMPTON.

Service Parts



Part	Description
A	Base
B	Tube
C	Tube
D	Tube
E	Tube
F	Tube connector
G	Tube

Part	Description
H	Lamp Shade
I	Socket Ring
J	Allen Wrench
K	Set Screw
L	Allen Wrench
M	Set Screw
P	Switch



Questions, problems, missing parts? Before returning to the store,
call Hampton Bay Customer Service
8 a.m. - 7 p.m., EST, Monday-Friday, 9 a.m. - 6 p.m., EST, Saturday

1-855-HD-HAMPTON

HAMPTONBAY.COM

Retain this manual for future use.