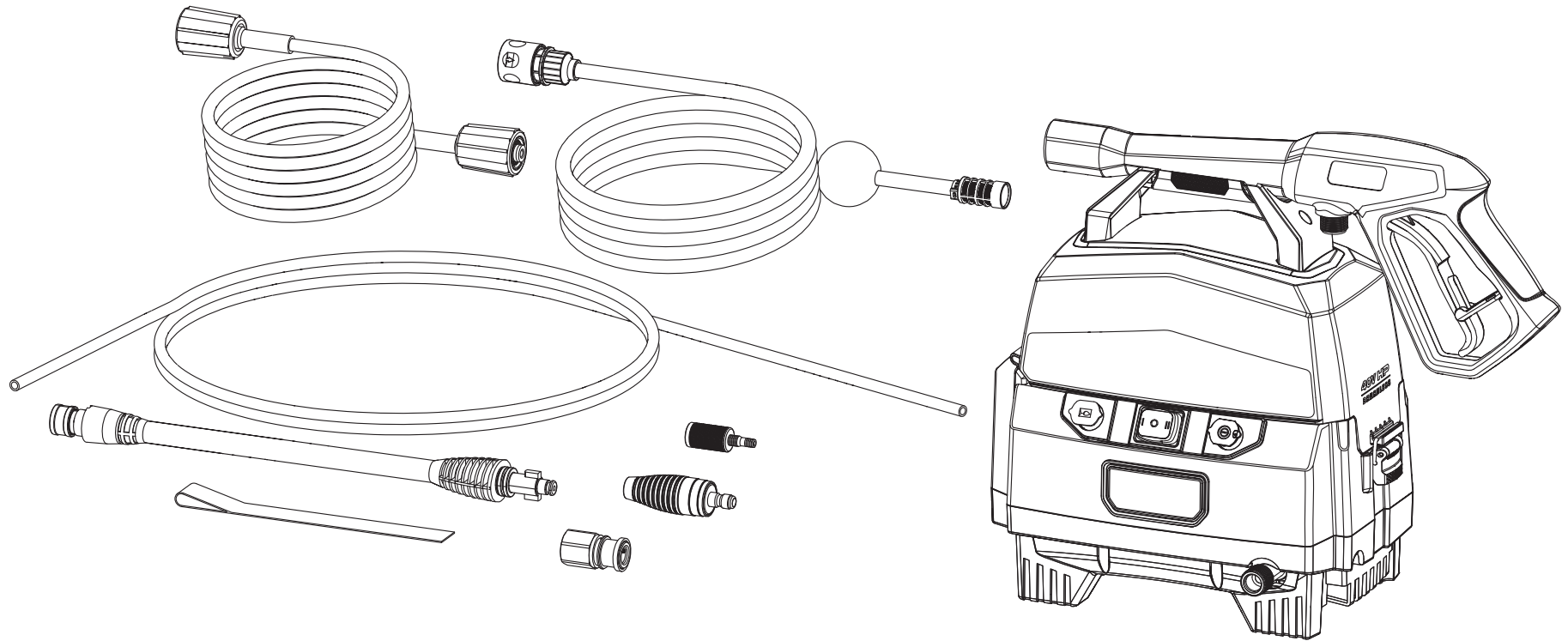


# REPLACEMENT PARTS LIST

BRAND <b>RYOBI</b>		DESCRIPTION <b>40 Volt Pressure Washer</b>
MODEL NO. <b>RY40HPPW12</b>	MFG. NO. <b>108079932</b>	



**TTI OUTDOOR POWER EQUIPMENT, INC.**

P.O. Box 1288, Anderson, SC 29622 ■ 1-800-525-2579 ■ [www.ryobitools.com](http://www.ryobitools.com)

999000413

4-11-24 (Rev:01)

*The model number and manufacturing location will be found on a label attached to the product. Always mention this information in all communications regarding this product and when ordering parts.*



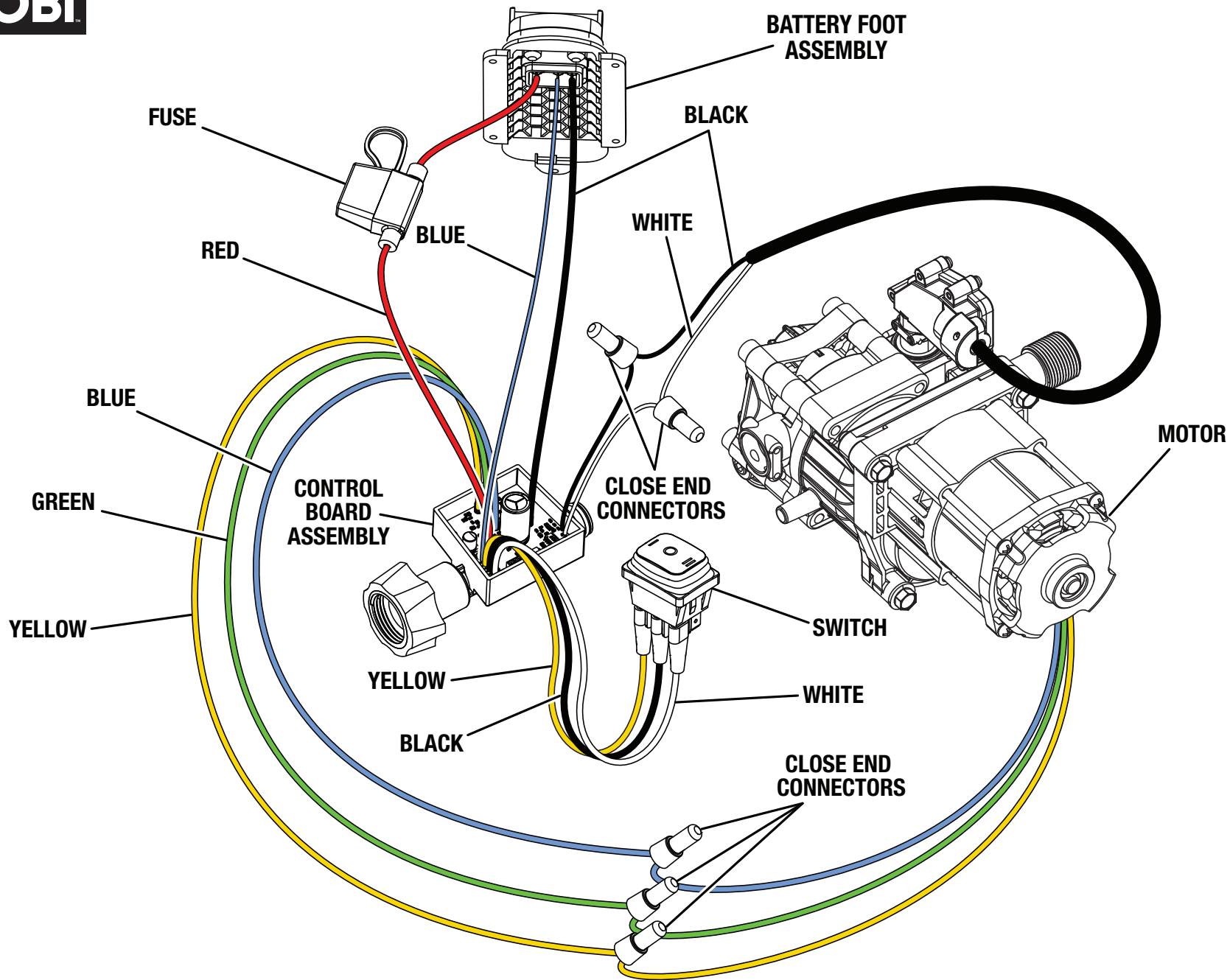


# RY40HPPW12

## PARTS LIST – FIGURE A

KEY NO.	PART NO.	DESCRIPTION	QTY.
1	318832001	Priming In-Line Accessory	1
2	870601002	Close-End Connector	5
3	678799048	U-Clip	1
4	282047009	Controller and Inlet Assembly	1
5	308751031	Inlet Adapter	1
6	570742189	O-Ring (11.3 x 2.5)	1
7	660438002	Screw (M3 x 8mm, Pan Hd.)	4
8	310801004	Hose Storage Strap	1
9	308103015	Chemical Siphon Filter	1
10	661403029	Screw (M4.2 x 15mm, Torx T20 Pan Hd.)	13
11	636204001	Motor Clamp Plate	2
12	308311038	Turbo Nozzle	1
13	308835152	Suction Hose	1
14	308706013	Soap Nozzle	1
15	308494075	Spray Wand	1
16	308835119	High Pressure Hose	1
17	561399003	Chemical Siphon Tube	1
18	570742286	Gasket	1
19	527932100	Nozzle Bracket	1
20	527932101	Battery Box	1
21	527932140	Handle	1
22	527932028	Upper Housing	1
23	527932081	Latch	1
24	678799053	Latch Locker	1
25	678799031	Latch Pin	1
26	561383021	Nozzle Grommet	2
27	661403016	Screw (ST4.2 x 15mm)	2
28	660203087	Screw (M3 x 12mm)	5
29	570742216	O-Ring	1

KEY NO.	PART NO.	DESCRIPTION	QTY.
30	308760094	Trigger Handle	1
31	308698044	15-Degree Nozzle	1
32	760504032	Switch	1
33	527932141	Air Guide	1
34	527932226	Battery Contact Holder	1
35	522038031	Lower Housing	1
36	308833060	Motor Pump Assembly	1
37	527932225	Cover w/Terminal	1
38	679074009	Torsion Spring	2
39	678799052	Latch Pin	1
40	566498001	Ryobi Badge	1
41	940324040	Trigger Handle Warning Label	1
42	940324024	Trigger Warning FR/SP Label	1
43	940786053	Trigger Logo Label	1
44	940904013	Trigger Handle Rating Label	1
45	918016552	Spanish Hangtag	1
46	961039007	Nozzle Hangtag	1
47	918016136	Start Instruction Hangtag	1
48	940779754	Performance Label	1
49	940779466	Adaptor Label	2
50	940779756	Soap Connection Label	1
51	940779752	Danger Label	1
52	940779755	Priming Label	1
53	940779753	Data Label	1
	<b>Not Shown:</b>		
	999000369	Operator's Manual	
	999000370	Quick Reference Guide	
	988000842	40V Ryobi Battery Correlation Sheet	



**WIRING DIAGRAM**