

6" Classic Hooded Exterior Vent Installation Instructions

-To be installed prior to siding-

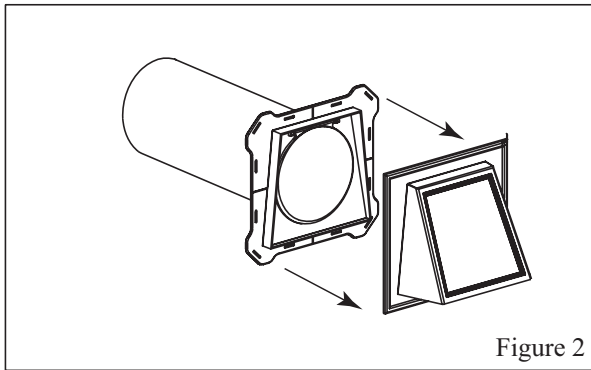
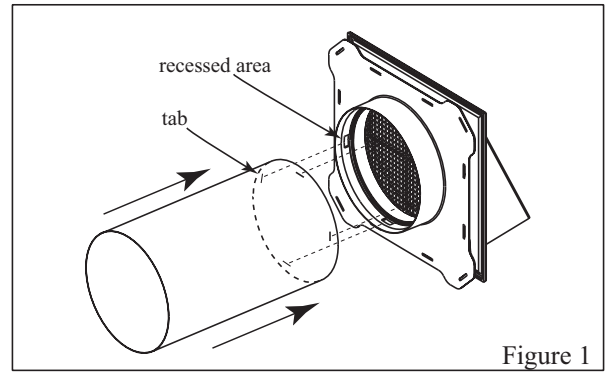
- Metal screen must be removed when used over exhaust duct for clothes dryer. See reverse side for screen removal instructions.

IMPORTANT - Observe all governing codes and ordinances.

CAUTION: Read all applicable installation instructions before installing this product. Be sure to remove metal screen when applicable.

Step 1

Snap tube into place by engaging the 4 tabs on the aluminum tube with the 4 recessed areas on the vent. Be sure the tube snaps into place firmly. See Figure 1 at right.

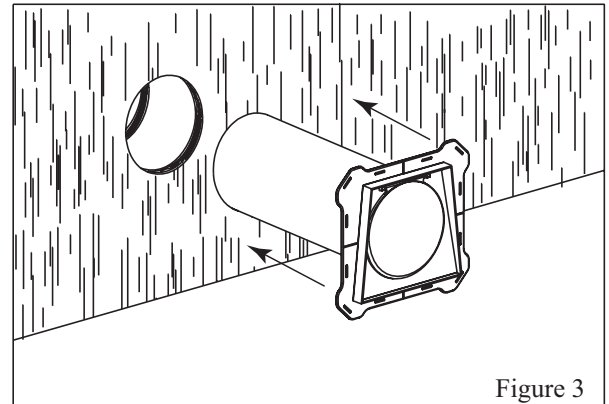


Step 2

Remove the trim ring from the 6" Hooded Vent assembly. See Figure 2 at left.

Step 3

Place tape or sealant between the Hooded Vent and house. Align the tube with the available opening (Suggested hole size: 6 1/8" diameter.) See Figure 3 at right.

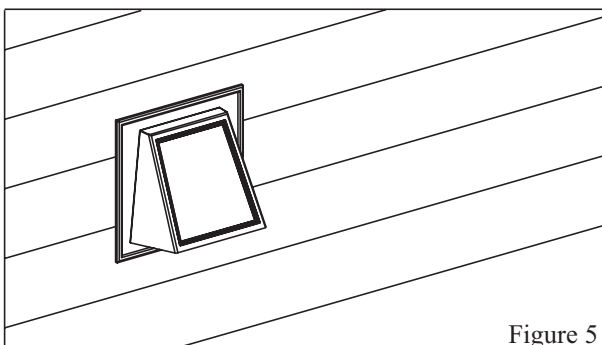
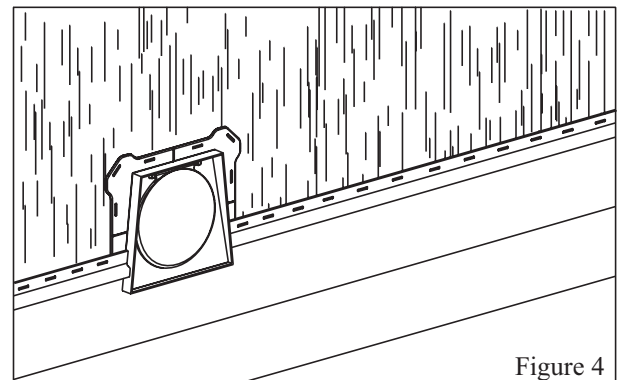


Step 4

Attach the Hooded Vent using an 8d nail or equivalent (to include a #8 x 1" long or #8 x 1 1/2" long Zinc Coated Screw) with a minimum of four attachments.

Step 5

Install the siding per the manufacturer's installation instructions. See Figure 4 at right.



Step 6

Lock on the finishing trim ring. See Figure 5 at left.

Note: Be sure to clean screen periodically