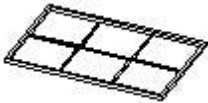
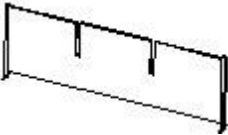
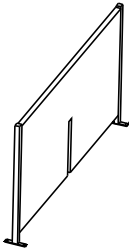


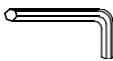


TABLE

ASSEMBLY INSTRUCTIONS

BEFORE YOU START ASSEMBLING YOUR FURNITURE:

- CHECK THAT YOU HAVE ALL THE PIECES LISTED ON THE LEFT HAND SIDE.
- LAY A CLEAN SHEET ON A FLAT SURFACE BIG ENOUGH TO ASSEMBLE YOUR FURNITURE ON IN ORDER TO PROTECT YOUR FURNITURE.

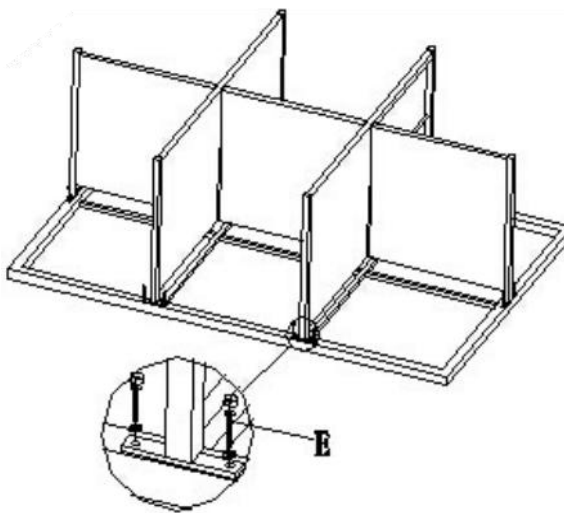
A	1	
B	1	
C	2	
D	1	
E	12	 M6*20
F	1	

1.

Lay the table top (A) down so the frame faces upwards. With the slit facing upwards, attach chair legs (B), to the table top by aligning the screw holes with those in the table top (A). Insert screws (E) through the washer and into the screw holes and loosely tighten with the allen key (F).

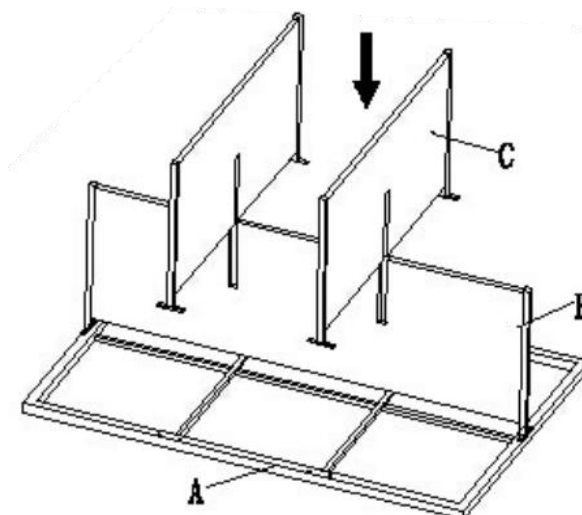
Then insert table legs (C) into position over the slits of table leg (B) and align the screw holes with the holes in the tabletop (A). Insert screws (E) through the washer and into the holes and loosely tighten with the allen key (F) in the locations shown in the image below.

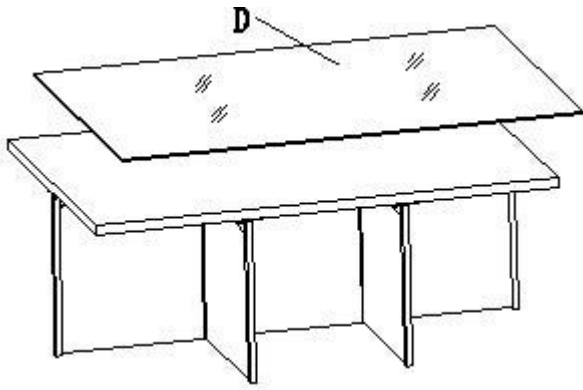
Fully tighten all of the screws using the allen key (F).



2.

Place the screw caps over all of the screws.





3.

Turn the table upright and place the tempered glass (D) over the table top.

