

JB645EK/RK/FK

GE® Series 30" Free-Standing Electric Range

DIMENSIONS AND INSTALLATION INFORMATION (IN INCHES)

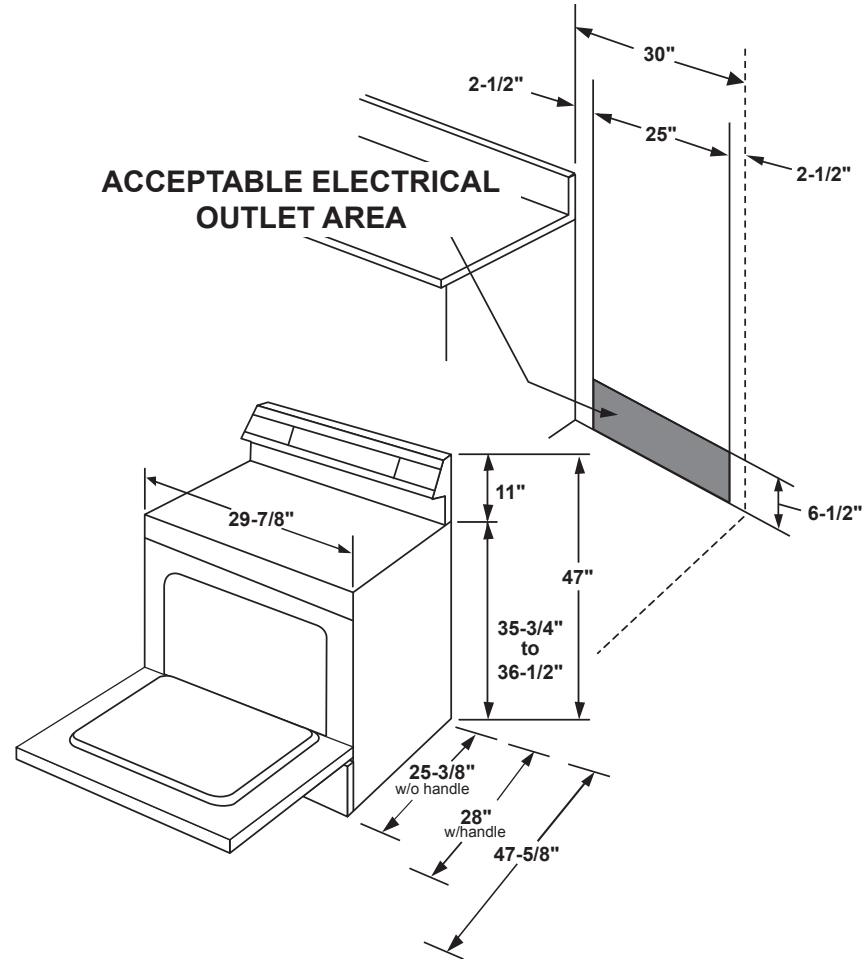
RECEPTACLE LOCATIONS: Locally approved flexible service cord or conduit must be used because terminals are not accessible after range installation. See shaded area in drawing for location of electrical outlet box. Recommended outlet locations allow range to be installed directly against wall.

NOTE: This appliance has been approved for 0" spacing to adjacent surfaces above the cooktop. However, a 6" minimum spacing to surfaces less than 15" above the cooktop and adjacent cabinet is recommended to reduce exposure to steam, grease splatter and heat.

INSTALLATION INFORMATION: Before installing, consult installation instructions for current dimensional data and additional requirements.

KW RATING	
240V	12.1
208V	9.1
BREAKER SIZE	
240V	40 Amps†
208V	40 Amps†

†NOTE: Check local codes for required breaker size.



For answers to your Monogram, GE Café™, GE Profile™ or GE Appliances product questions, visit our website at geappliances.com or call GE Answer Center® Service, 800.626.2000.



All GE Appliances ranges are equipped with an Anti-Tip device. The installation of this device is an important, required step in the installation of the range.



Listed by Underwriters Laboratories

Specification Revised 2/22

JB645EK/RK/FK

GE® Series 30" Free-Standing Electric Range

FEATURES AND BENEFITS

Two 9/16" Power Boil elements – Two powerful elements boil water 25% faster than standard GE elements and adjust to fit cookware

Self-clean oven – Cleans the oven cavity without the need for scrubbing

Dual-element Bake – Upper and lower elements produce even heat and great results

Ceramic glass cooktop – Smooth cooktop easily wipes clean

Removable full-width storage drawer – Store cookware or kitchen accessories

5.3 cu. ft. oven capacity – Enough room to cook an entire meal at once

Sabbath Mode

Model JB645RKSS – Stainless steel

Model JB645EKES – Slate

Model JB645FKDS – Black slate



For answers to your Monogram, GE Café™, GE Profile™ or GE Appliances product questions, visit our website at geappliances.com or call GE Answer Center® Service, 800.626.2000.

Specification Revised 2/22