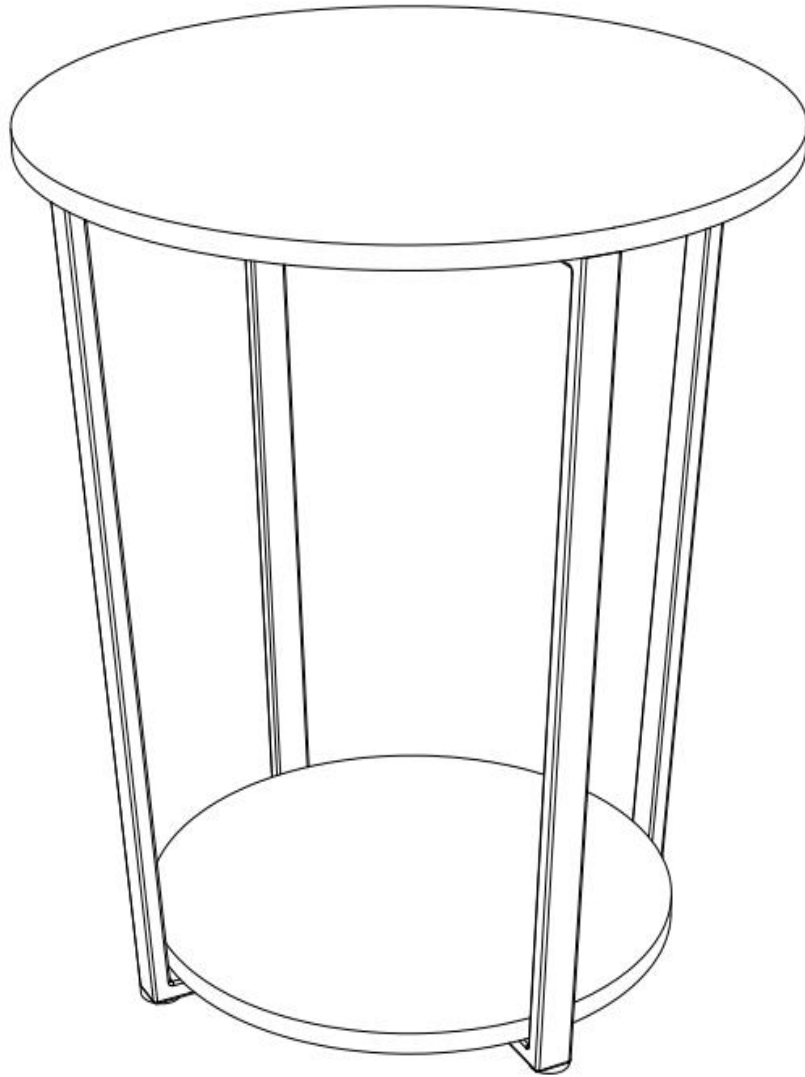
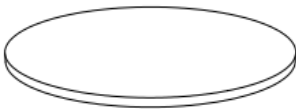

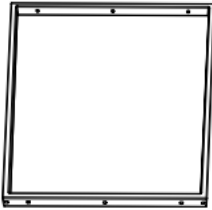



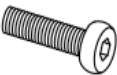




# Assembly Instructions



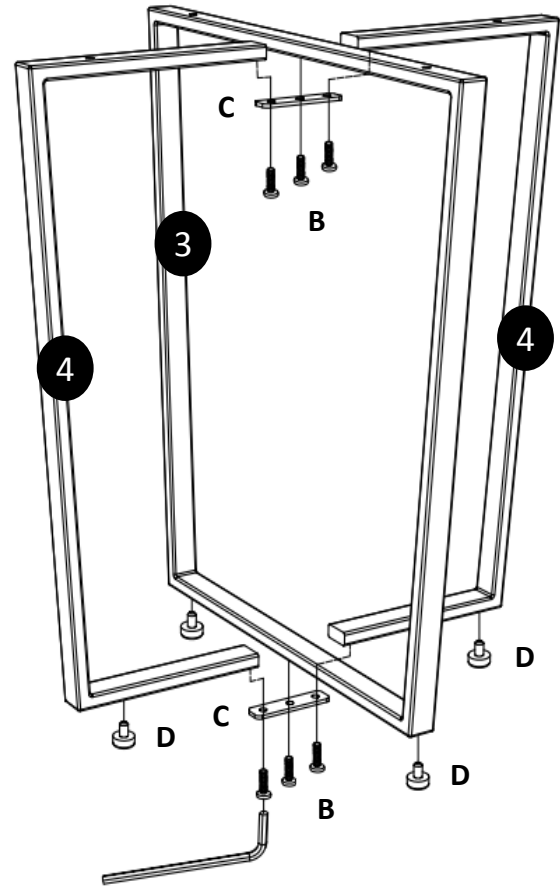
## Parts List

			
1. 1PC	2. 1PC	3. 1PC	4. 2PCS

## Hardware List

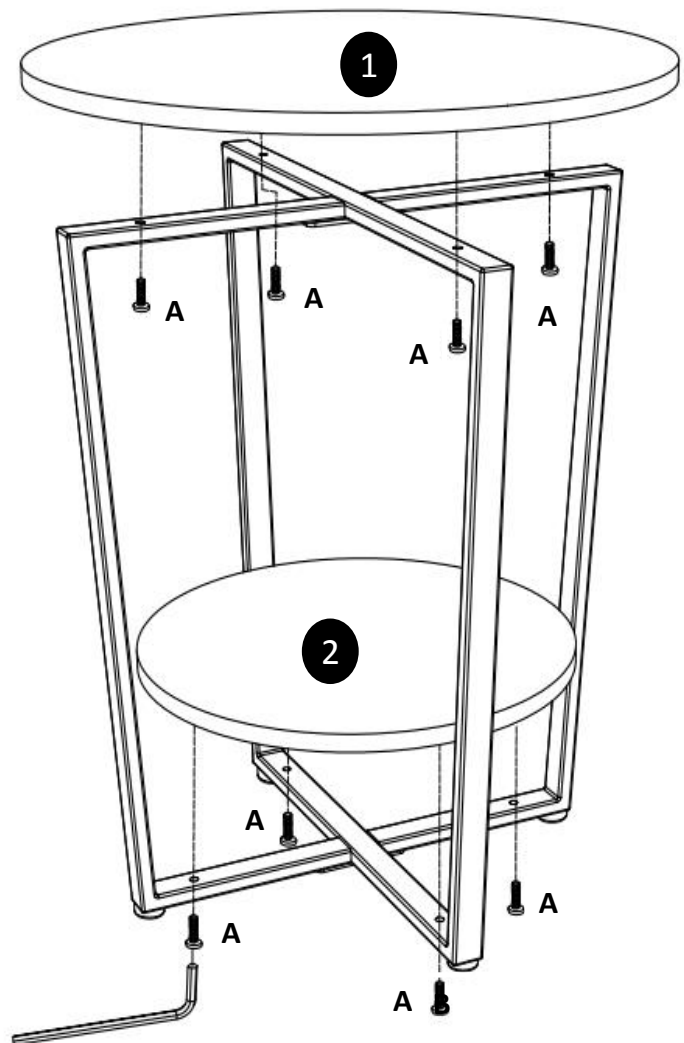
 1/4" x 1"	 1/4" x 1/2"			
A. 8PCS	B. 6PCS	C. 2PCS	D. 4PCS	E. 1PC

STEP 1



B	6PCS
C	2PCS
D	4PCS

STEP 2



A	8PCS
---	------