

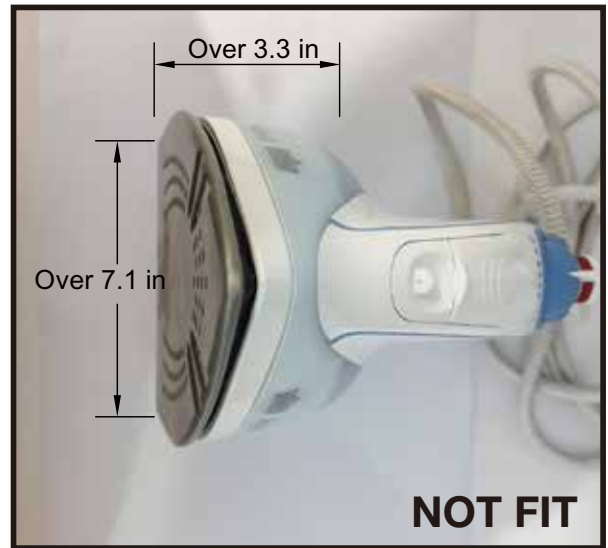
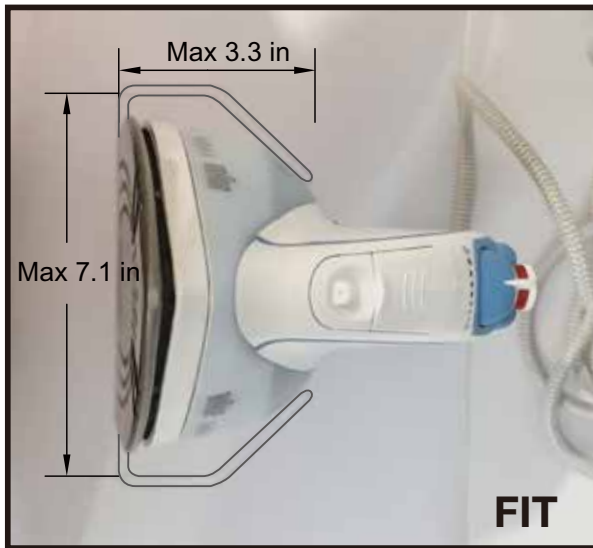
Measure your iron to ensure compatibility with ironing station.

Item #1005-872-758
Model #90260



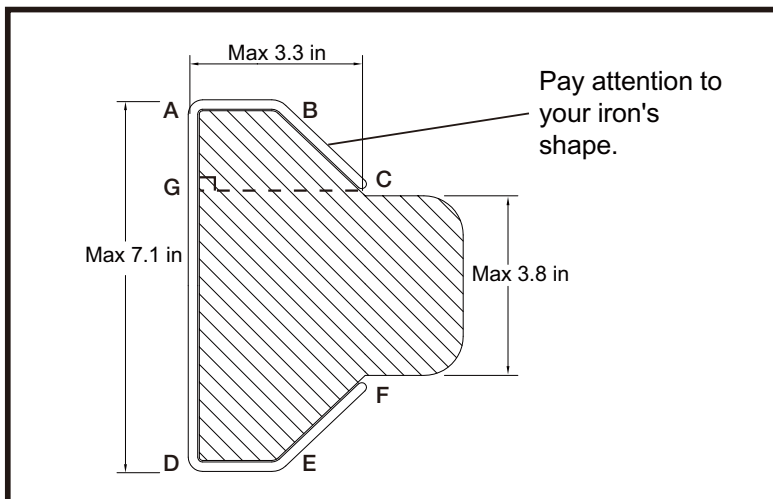
Option 1.

DOWNLOAD AND PRINT ACCORDING TO THE ACTUAL SIZE OF THE DRAWING IN PAGE 2 TO COMPARE IT WITH YOUR IRON TO MAKE SURE IF THE IRON STATION FITS FOR YOUR IRON.



Option 2.

DO NOT NEED TO PRINT THE DRAWING, BUT NEED TO MEASURE THE SIZE ACCORDING TO THE STEPS BELOW.



Measure your iron to ensure compatibility with ironing station.

Item #1005-872-758

Model #90260

EVERBILT

