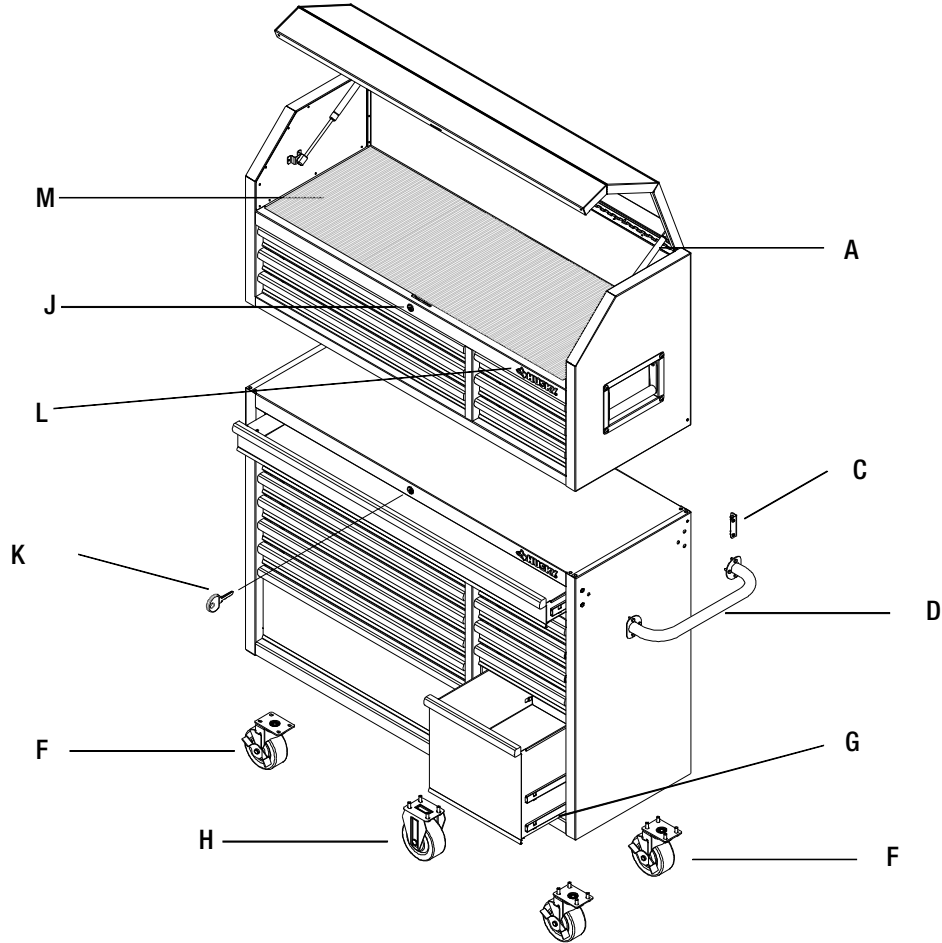


Service Parts



Part	Description	Quantity
A	Gas lift	2
C	Bracket	2
D	Side handle	1
F	Swivel caster with brake	4
G	Drawer slide (pair)	20
H	Regular caster	2
J	Lock	2
K	Key (set)	2
L	Husky badge	2
M	Drawer Liner	19