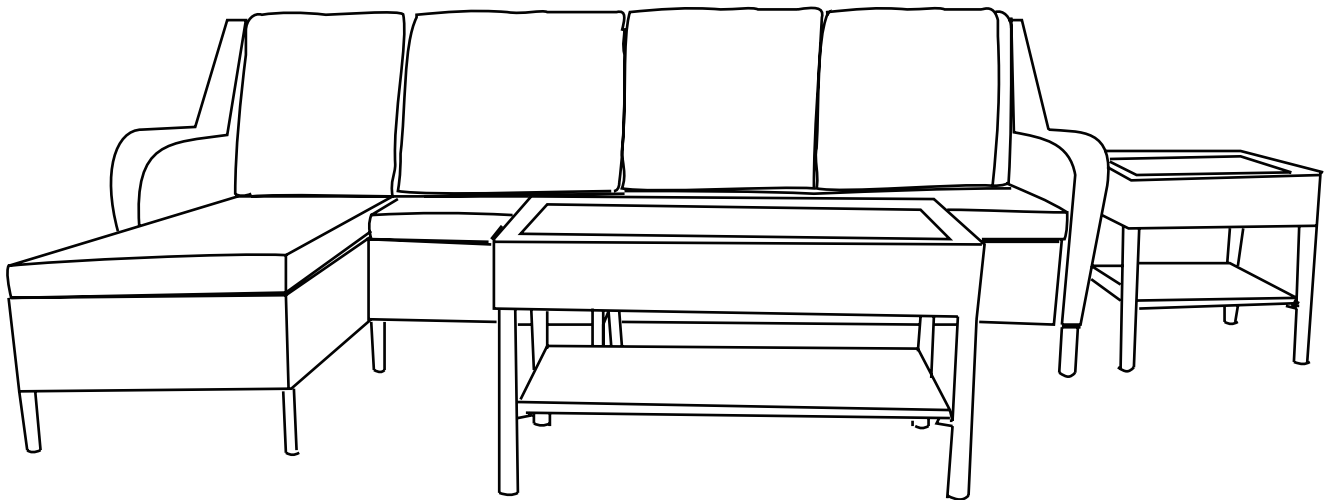


USE AND CARE GUIDE

CAMBRIDGE RESIN WICKER 5 PC SECTIONAL SET W/ CUSHION



Questions, problems, missing parts? Before returning to the store,
call Hampton Bay Customer Service
8 a.m. - 7 p.m., EST, Monday – Friday, 9 a.m. – 6 p.m., EST, Saturday

1-855-HD-HAMPTON

HAMPTONBAY.COM

THANK YOU

We appreciate the trust and confidence you have placed in Hampton Bay through the purchase of this Sectional set. We strive to continually create quality products designed to enhance your home. Visit us online to see our full line of products available for your home improvement needs. Thank you for choosing Hampton Bay!

Table of Contents

Table of Contents	2	Pre-Assembly	3
Safety Information	2	Hardware Included	3
What is covered	3	Package Contents	4,6,8,10,12
What is not covered	3	Assembly	5,7,9,11,13,14
Warranty	3	Cleaning and Maintenance	15
		Service Parts	16

Important Safety Instructions

READ ALL INSTRUCTIONS BEFORE USE

To reduce the risk of injury to persons:

1. Close supervision is necessary when this furnishing is used by or near children, or disabled persons, if applicable.
2. Use this furnishing only for its intended use as described in these instructions. Do not use attachments not recommended by the manufacturer.

SET UP YOUR FURNITURE PROPERLY

1. Ensure that all parts are assembled properly and fully tightened as per the instructions.
2. When placing in the desired location, ensure that all legs are resting on the same surface.

EXAMINE YOUR FURNITURE

Examine occasionally to ensure that there are no loose parts. If loose parts are found, they must be re-tightened fully before additional use.

OBSERVE WEIGHT LIMITS

The weight limits for the following products are listed below:

- | | |
|--|---|
| <input type="checkbox"/> Chair: 300 lbs | <input type="checkbox"/> Sofa: 700 lbs |
| <input type="checkbox"/> Swivel Chair: 300 lbs | <input type="checkbox"/> Rocking Chair: 300 lbs |
| <input type="checkbox"/> Loveseat: 500 lbs | <input type="checkbox"/> Chaise Lounge: 300 lbs |
| <input type="checkbox"/> Ottoman: 150 lbs | <input type="checkbox"/> Dining Table: 100 lbs |
| <input type="checkbox"/> Table: 50 lbs | <input type="checkbox"/> Dining Chair: 200 lbs |



CAUTION: If you overload your furniture, injuries can occur.

Warranty

THREE YEAR FRAME, WEAVE AND FABRIC LIMITED WARRANTY

WHAT IS COVERED

We warrant the frame, weave and fabric to be free of manufacturing defects to the original purchaser for three years. For glass table top we warrant 30 days from the date of purchase.

WHAT IS NOT COVERED

This warranty does not cover commercial use, hardware, acts of nature, fire, freezing and abusive use. In addition, purchased parts are not covered under this warranty.

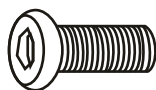
We reserve the right to make substitutions with similar merchandise, if the model in question is no longer in production. Contact the Customer Service Team at 1-855-HD-HAMPTON or visit www.Hamptonbay.com.

Pre-Assembly

PLANNING Assembly

To prevent damage, place all parts on a soft surface during assembly. Remove all protective caps before beginning assembly.

HARDWARE INCLUDED



AA



BB



CC



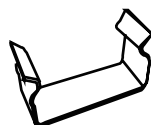
DD



EE



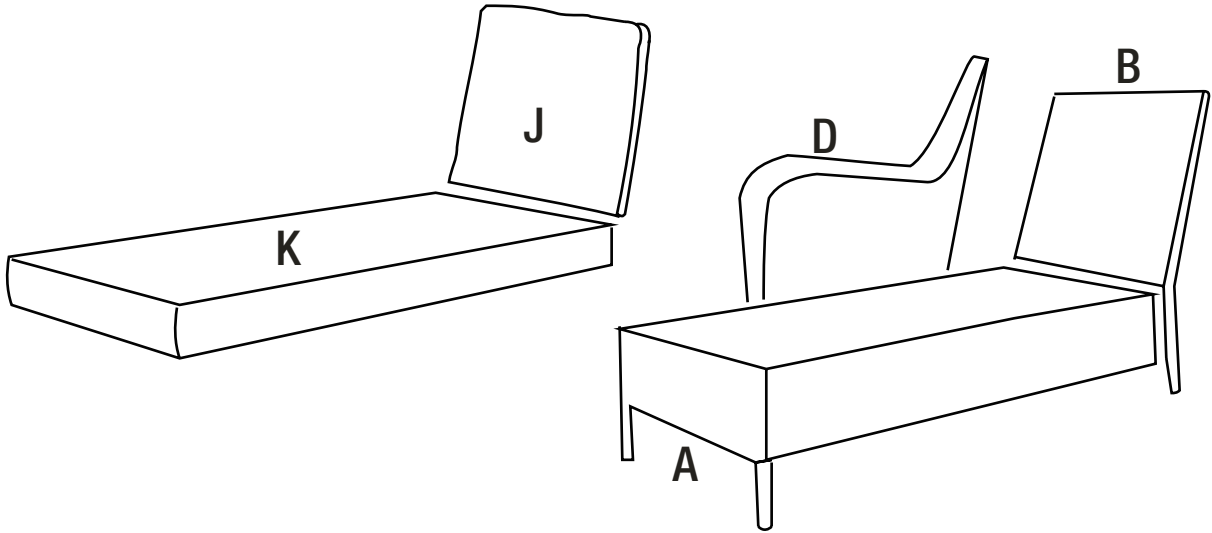
FF



GG

Part	Description	Quantity
AA	Bolt (ϕ 1/4x35mm)	22
BB	Bolt (ϕ 1/4x20mm)	6
CC	Bolt (ϕ 1/4x12mm)	16
DD	Washer (ϕ 6mm)	36
EE	Cap for bolt (ϕ 6mm)	36
FF	Hex wrench (4mm)	1
GG	U Shape connector	2

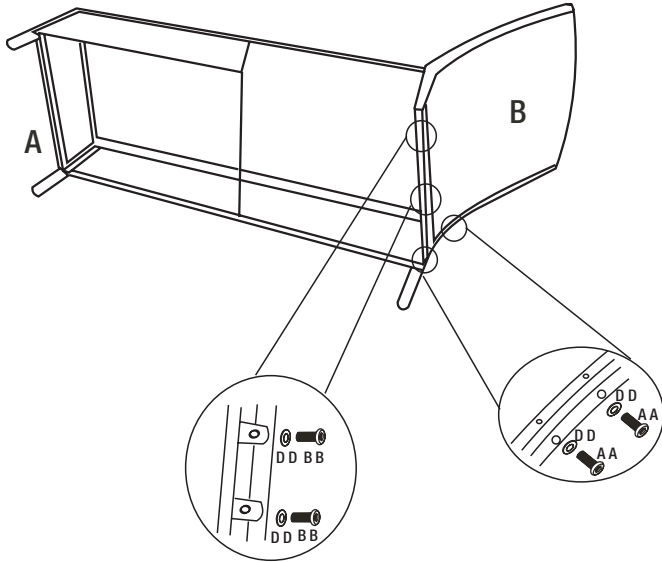
PACKAGE CONTENTS(CHaise)



Part	Description	Quantity
A	The Seat of Chaise	1
B	The Back of Chaise	1
D	Right Arm	1
J	Back Cushion	1
K	Seat Cushion	1

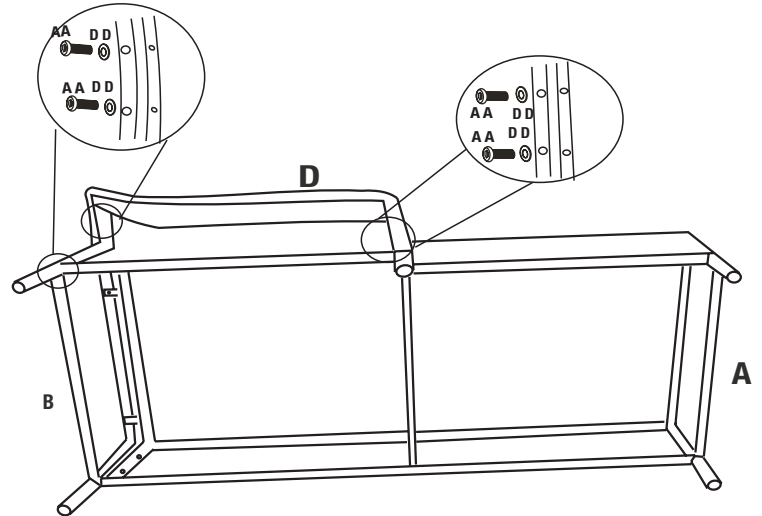
1 Attaching the back

- Place the seat (A) on a soft surface.
- Attach the seat (A) to the back (B), fasten with bolts (BB) with washers (DD), and fasten with bolts (AA) with washers (DD) as illustrated. Tighten half way using the Hex wrench (FF).



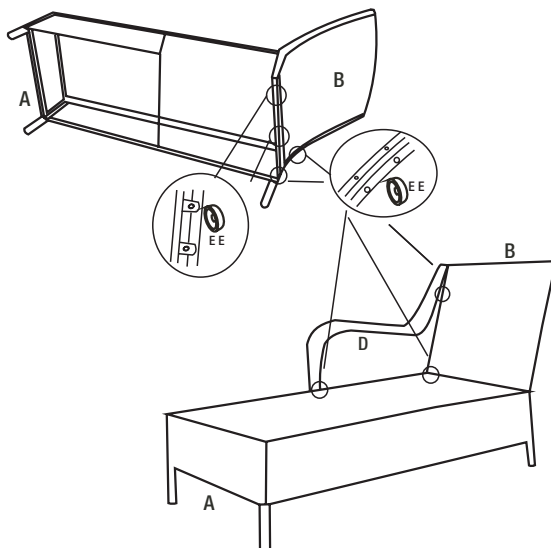
2 Attaching the right arm

- Attach right arm (D) to the back (B), fasten bolts (AA) and washers (DD).
- Tighten half way using the Hex wrench (FF).



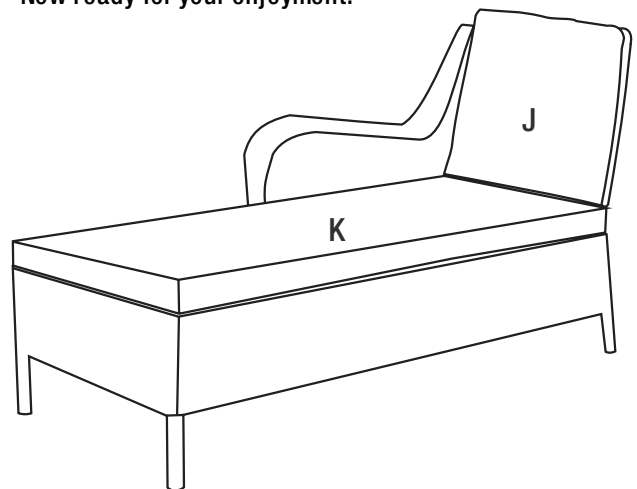
3 Adding the caps

- Check and make adjustment as needed.
- Fully tighten all the bolts with the Hex wrench(FF). Cover all the bolts with caps (EE).



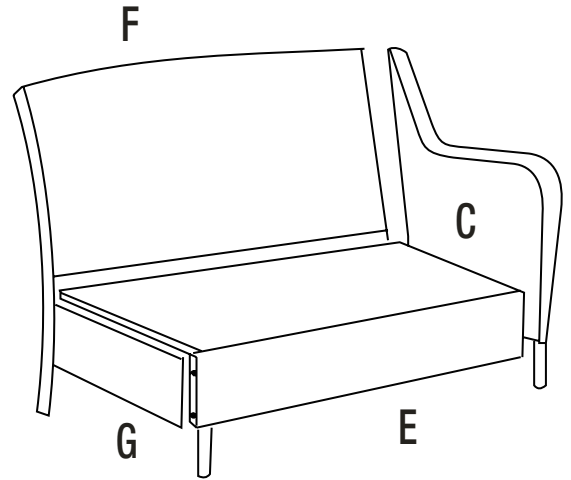
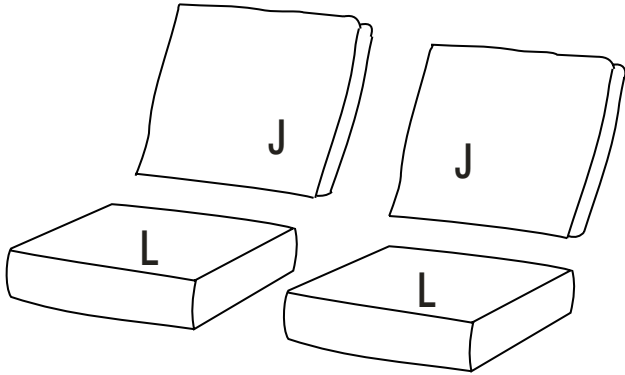
4 Completing the assembly

- Place the seat cushion (K) and the back cushion(J) on the chaise.
- Now ready for your enjoyment.



Pre-Assembly(65-7148BLS)

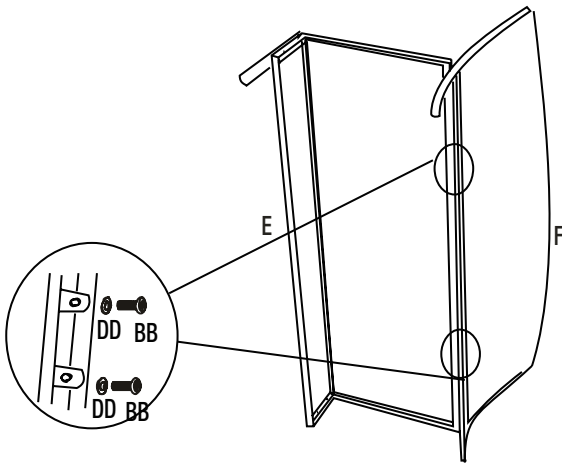
PACKAGE CONTENTS(LOVESEAT)



Part	Description	Quantity
E	The seat of loveseat	1
F	The back of Loveseat	1
C	Left Arm	1
G	Right Skirt	1
J	Back Cushion	2
L	Seat Cushion	2

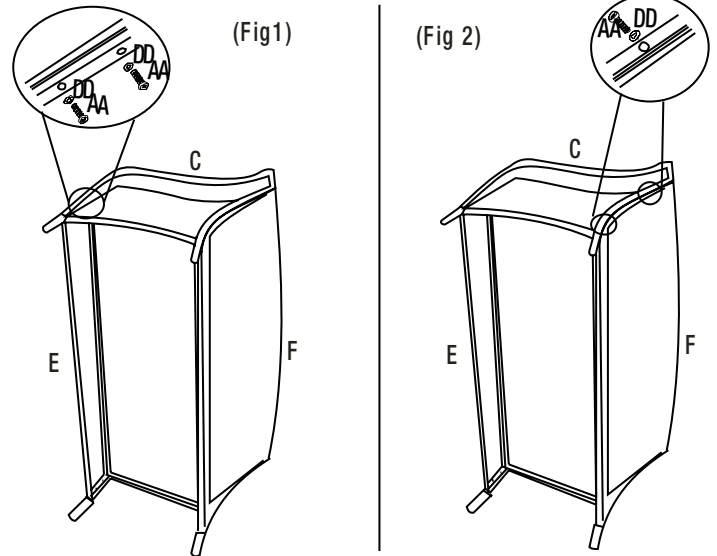
1 Attaching the back

- Place the seat (E) on a soft surface.
- Attach the seat (E) to the back (F), fasten with bolts (BB) with washers (DD) as illustrated.
- Tighten half way using the Hex wrench (FF).



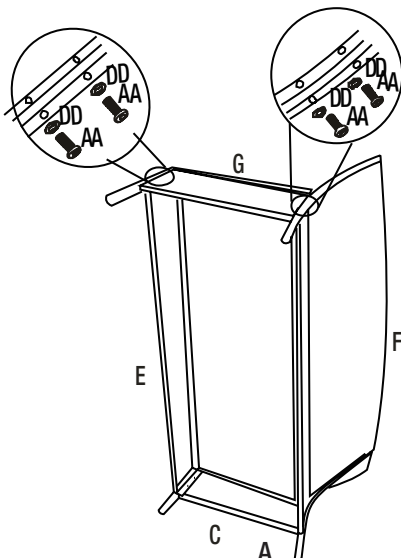
2 Attaching the left arm

- Attach the left arm (C) to seat (E) fasten with bolts (AA) and washers (DD). Tighten half way using the Hex wrench(FF). Do not tighten completely.(Fig 1)
- Attach the back (F) to the left arm(C) by aligning the hole on the back (F) with the hole on the left arm (C). Insert bolts(AA) with washers (DD) and tighten half way using the Hex wrench (FF). (Fig2)



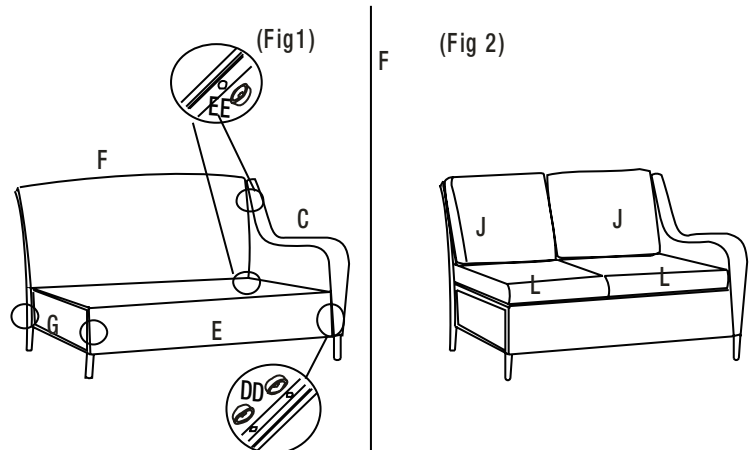
3 Attaching the skirt

- Attach the side skirt (G) to the seat (E) by aligning holes on the seat (E) with the holes inserting bolts (AA) with washers (DD).
- Tighten half way using the Hex wrench (FF).



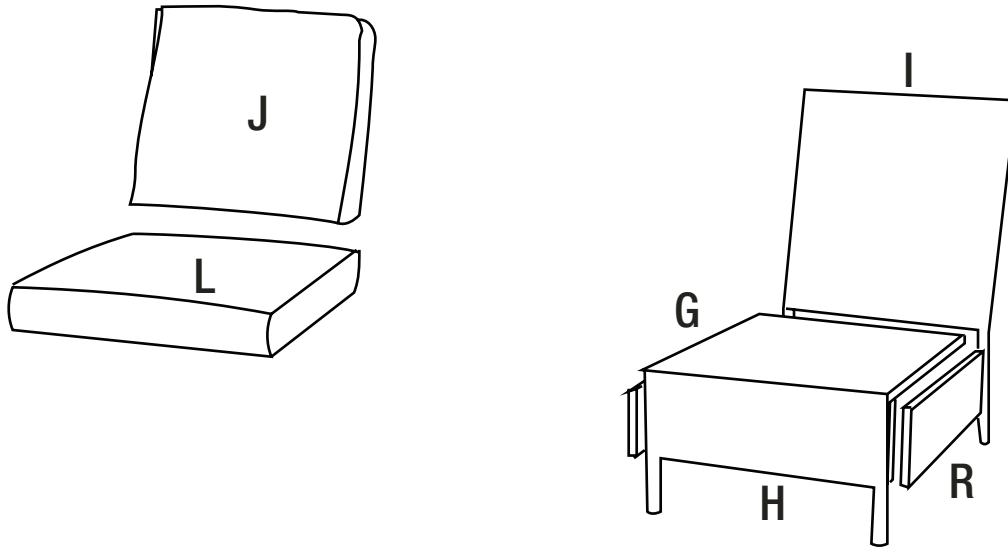
4 Completing the assembly

- Place the loveseat right side up. Fully tighten all the bolts (AA) with the Hex wrench (FF) and cover with the bolt caps (EE). (Fig 1)
- Adjust leg levelers as required. Place the seat cushion (L) and back cushion (J) on the loveseat.
- This loveseat is now ready for your enjoyment.(Fig2)



Pre-Assembly(65-17148BM)

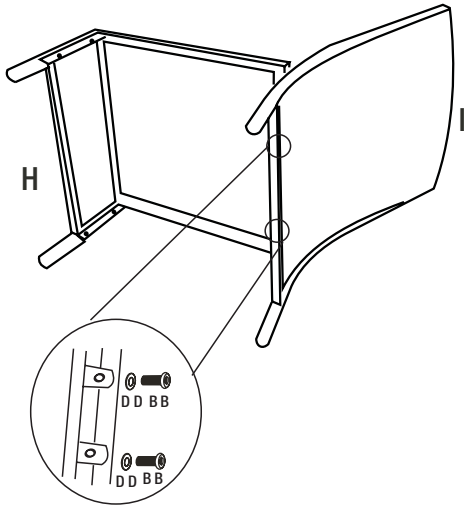
PACKAGE CONTENTS(MIDDLE CHAIR)



Part	Description	Quantity
H	The middle of Seat	1
I	The middle of Back	1
G	Right Skirt	1
J	Back Cushion	1
L	Seat Cushion	1
R	Left Skirt	1

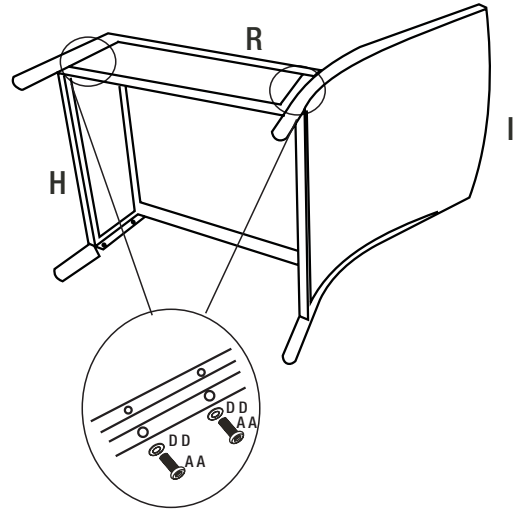
1 Attaching the back to the seat

- Place the back (I) on a soft surface.
- Attach the seat(H) to the back (I) by aligning holes on the back (I) with the holes on the seat (H) and inserting bolts (BB) with washers (DD). Tighten half way using the Hex wrench (FF). Do not tighten completely.



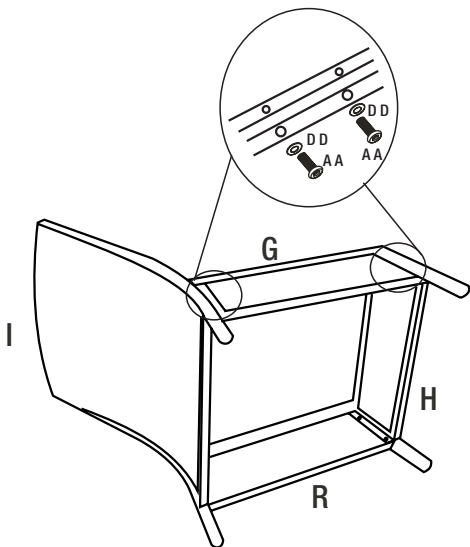
2 Attaching the left skirt

- Attach the left skirt (R) to the seat (H) by aligning holes on the seat (H) with the holes on the left skirt (R) and inserting bolts (AA) with washers (DD). Tighten half way using the Hex wrench (FF). Do not tighten completely.



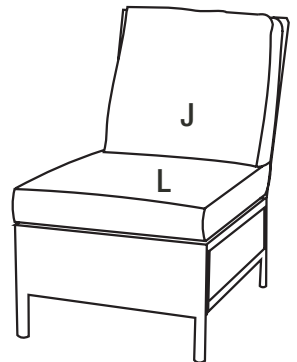
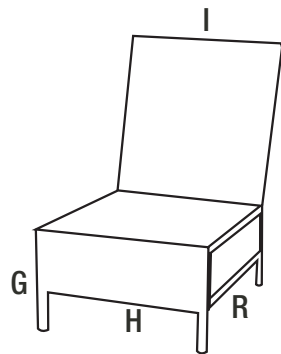
3 Attaching the right skirt

- Repeat steps 2 to attach the right side (G) .

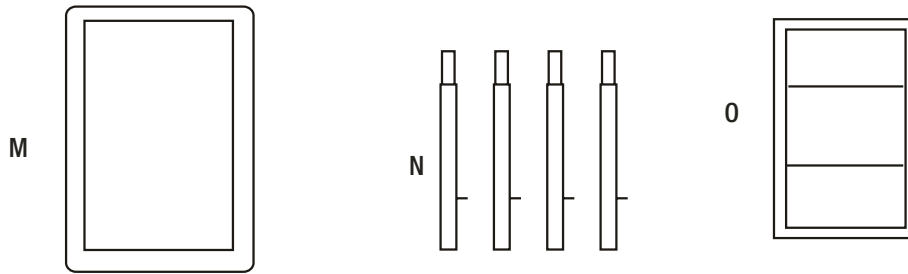


4 Completing the assembly

- Place the chair right side up.
- Check and make adjustment as needed. Fully tighten all the bolts (AA) and (BB) with the Hex wrench (FF) .
- Place the seat cushion (L) and back cushion (J) on the chair.
- This chair is now ready for your enjoyment.



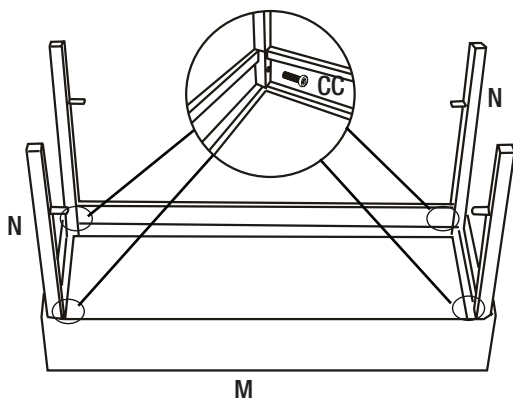
PACKAGE CONTENTS(COFFEE TABLE)



Part	Description	Quantity
M	The Top of Coffee Table	1
N	Leg	4
O	Lower Shelf	1

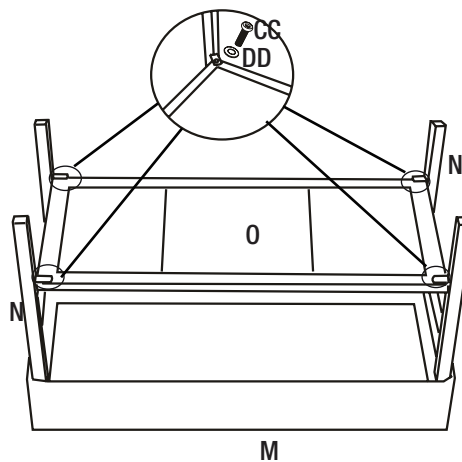
1 Attaching the legs to the top

- Place the top (M) on a soft surface.
- Insert each leg (N) with shelf supports facing the center into the four holes on the table top (M) as shown. Attach legs (N) to the table top (M) using bolts (AA) and hand tighten. Do not tighten completely.



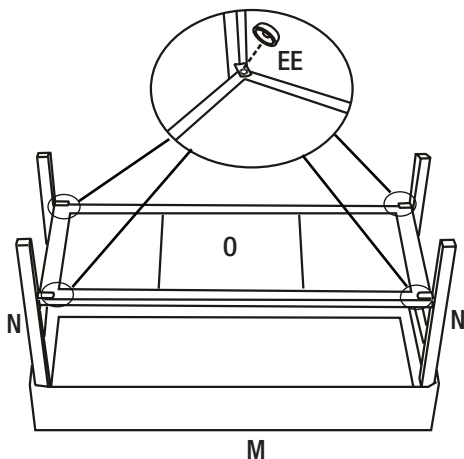
2 Attaching the shelf to the legs

- Attach the shelf (O) to the legs (N) by aligning holes on the shelf (O) with the holes on the legs (N). The shelf must be attached as this image shown. Insert bolts (CC) with washers (DD) and hand tighten. Do not tighten completely.



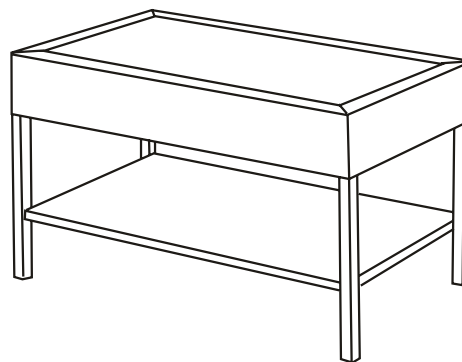
3 Adding the caps

- Check and make adjustments as needed.
- Fully tighten all the bolts with the Hex wrench (FF) and cover the bolts (CC) with caps (EE).
- Adjust leg levelers as required.

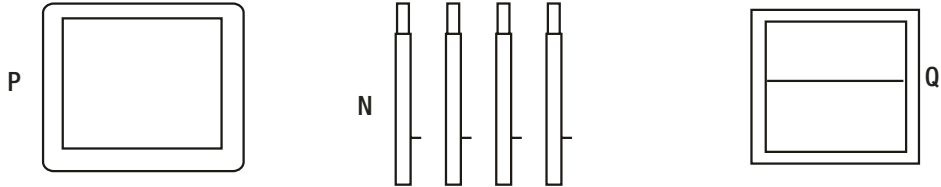


4 Completing the assembly

- Place the table right side up.
- This table is now ready for your enjoyment.



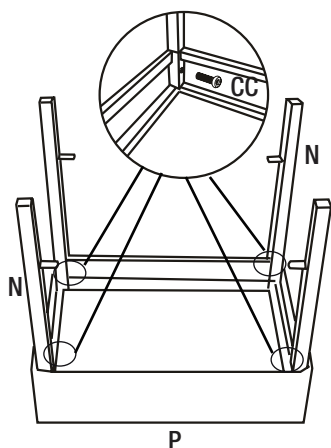
PACKAGE CONTENTS(SIDE TABLE)



Part	Description	Quantity
P	The Top of Side Table	1
N	Leg	4
Q	Lower Shelf	1

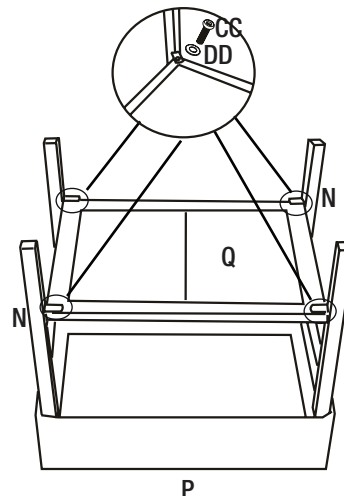
1 Attaching the legs to the top

- Place the top (P) on a soft surface.
- Insert each leg (N) with shelf supports facing the center into the four holes on the table top (M) as shown. Attach legs (N) to the table top (P) using bolts (AA) and hand tighten. Do not tighten completely.



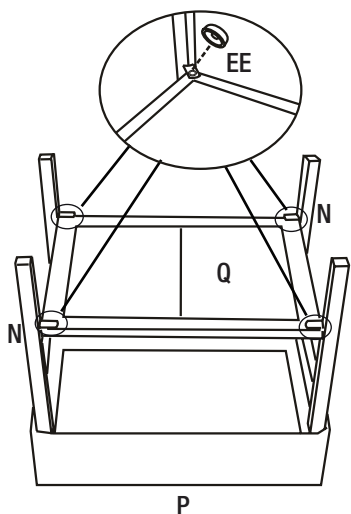
2 Attaching the shelf to the legs

- Attach the shelf (Q) to the legs (N) by aligning holes on the shelf (Q) with the holes on the legs (N). The shelf must be attached as this image shown. Insert bolts (CC) with washers (DD) and hand tighten. Do not tighten completely.



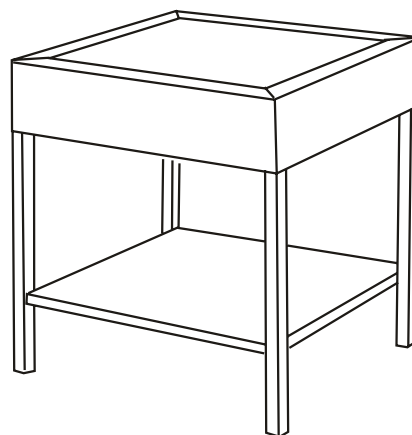
3 Adding the caps

- Check and make adjustments as needed.
- Fully tighten all the bolts with the Hex wrench (FF) and cover the bolts (CC) with caps (EE).
- Adjust leg levelers as required.



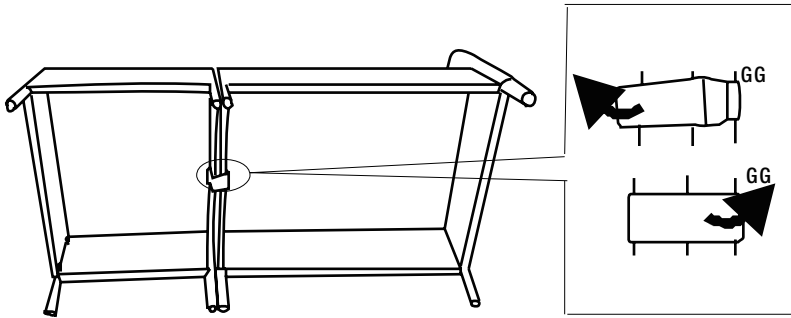
4 Completing the assembly

- Place the table right side up.
- This table is now ready for your enjoyment.



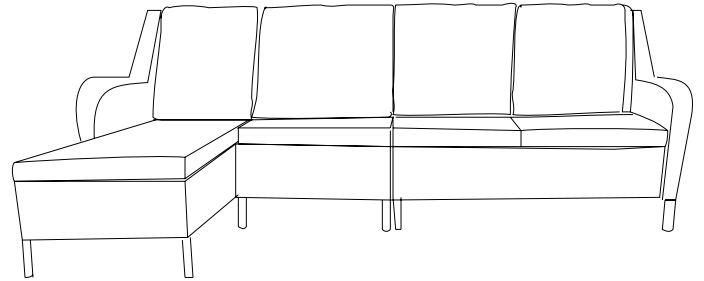
1 Attaching U shape connector

- Place one side of the clip (GG) to sectional base first, and press another side of the clip (GG) to the sectional base as illustrated.



2 Completing the assembly

The sectional is now ready for your enjoyment.



Cleaning and Maintenance

- Before using, wipe with a clean, dry cloth. Do not use bleach or solvents. When not in use, store furniture in a cool, dry place.
- Do not use bleach or solvents on fabrics. When cleaning the table top make sure to use a soft, clean cloth that does not bleed color as well.
- Wash the frame with a mild solution of soap and water, rinse with clean water, and dry thoroughly.
- Cushions may also be cleaned by hand with a mild solution of soap and water. Rinse the cushion cover thoroughly and allow to drip dry. The back cushion and pillow should be spot cleaned with a soft cloth. Do not machine wash or tumble dry, as cushions may shrink. Do not use bleach or solvents on fabrics. Never use cleaners that contain acid or abrasive materials.
- Use and operation: To improve the lifespan of this furniture, cover when not in use and store in a dry place in the off season.

Part	Description	Quantity
A	The Seat of Chaise	1
B	The Back of Chaise	1
C	Left Arm	1
D	Right Arm	1
E	The Seat of Loveseat	1
F	The Back of Loveseat	1
G	Right Skirts	2
H	The Middle of Seat	1
I	The Middle of Back	1
J	Back Cushions	4
K	Seat Cushion	1
L	Seat Cushions	3
M	The Top of Coffee Table	1
N	Legs	8
O	Shelf	1
P	The Top of Side Table	1
Q	Shelf	1
R	Left Skirt	1

HAMPTON BAY[®]

**Questions, problems, missing parts? Before returning to the store,
call Hampton Bay Customer Service
8 a.m. – 7 p.m., EST, Monday – Friday, 9 a.m. – 6 p.m., EST, Saturday**

1-855-HD-HAMPTON

HAMPTONBAY.COM

Retain this manual for future use.