

newair[®]

AI-100 Series

Portable Ice Maker



OWNERS MANUAL

Read and save these instructions.



Manual v1.1

A Name You Can Trust

Trust should be earned and we will earn yours. Customer happiness is the focus of our business.

From the factory to the warehouse, from the sales floor to your home, the whole NewAir family promises to provide you with innovative products, exceptional service, and support when you need it the most.

Count on NewAir.

As a proud NewAir owner, welcome to our family. There are no robots here, real people shipped your product and real people are here to help you.

Contact Us:

For questions regarding your product, please contact us at:

Call: 1-855-963-9247
Email: support@newair.com
Online: www.newair.com

Connect with Us:



[Facebook.com/newairusa](https://www.facebook.com/newairusa)



[Instagram.com/newairusa](https://www.instagram.com/newairusa)



[YouTube.com/newairusa](https://www.youtube.com/newairusa)



[Twitter.com/newairusa](https://www.twitter.com/newairusa)

REGISTER YOUR PRODUCT ONLINE

Register Your NewAir Product Online Today!

Take advantage of all the benefits product registration has to offer:



Service and Support

Diagnose troubleshooting and service issues faster and more accurately



Recall Notifications

Stay up to date for safety, system updates and recall notifications



Special Promotions

Opt-in for NewAir promotions and offers

Registering your product information online is safe & secure and takes less than 2 minutes to complete:

Register.NewAir.com

Alternatively, we recommend you attach a copy of your sales receipt below and record the following information, located on the manufacturer's nameplate on the rear of the unit. You will need this information if it becomes necessary to contact the manufacturer for service inquiries.

Date of Purchase: _____

Serial Number: _____

Model Number: _____

READ AND SAVE THESE INSTRUCTIONS.

TABLE OF CONTENTS

Safety Information & Warnings	5
Parts List	6
Basic Parts Diagram	6
Control Panel Diagram	6
Assembly & Installation	8
Operating Instructions	9
Cleaning & Maintenance	10
Storage	10
Troubleshooting	11
Limited Manufacturer's Warranty	13

SPECIFICATIONS

MODEL NO.	AI-100
RATED VOLTAGE:	115V / 60Hz
CURRENT :	1.9/2.7 amps
POWER CONSUMPTION:	120 watts
CAPACITY (DAILY):	28 pounds
CAPACITY (PER CYCLE):	9 pieces
ICE SIZES:	3

SAFETY INFORMATION & WARNINGS



As with any electrical appliance, basic safety precautions must be followed in order to reduce the risk of fire, electrical shock and/or injury to persons or property. Be sure to read all instructions before using this appliance and observe the following safety tips:

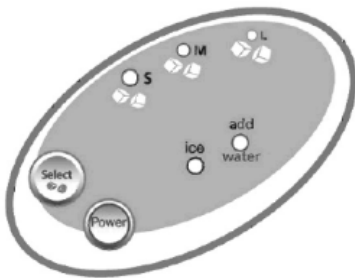
- Do not operate this appliance if it has a damaged cord.
- Only connect the ice maker to a properly polarized outlet. No other appliance should be plugged into the same outlet. Make sure the plug is fully inserted into the receptacle.
- An extension cord is not recommended, as it may overheat and become a fire risk. If necessary, use an extension cord with a minimum size of No. 14 AWG and rated for no less than 1875 watts.
- Do not place hands or objects on or near the ice maker's evaporator when it is in operation.
- Do not run the power cord over carpeting or heat insulators. Do not cover the cord. Keep the cord away from high traffic areas and never submerge it in water.
- Always turn off and unplug the ice maker from the power supply before cleaning and servicing.
- Exercise caution and make sure there is supervision when this appliance is being used near children.
- In the ice maker is brought in from the outside in the winter, allow the ice maker to warm up to your room's temperature for a few hours before plugging it in.
- Do not clean your ice maker with flammable fluids. The fumes can create a fire hazard or cause an explosion.

PARTS LIST

BASIC PARTS DIAGRAM



CONTROL PANEL DIAGRAM



BUTTONS:

Power - Turns unit on and off

Select - Selects ice size

INDICATOR LIGHTS:

S - Small ice size selected

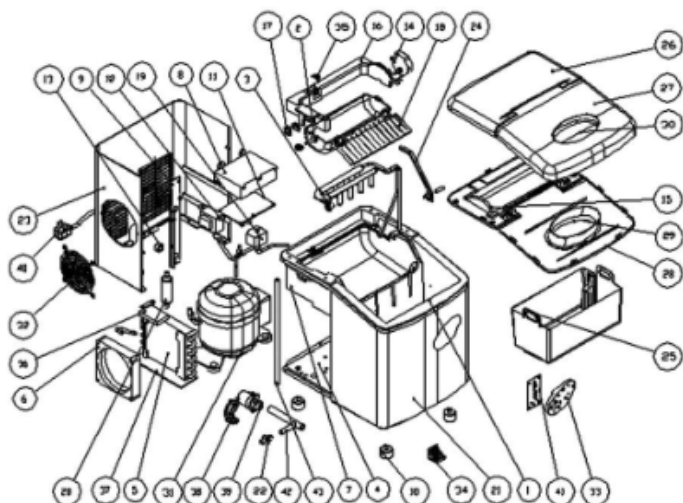
M - Medium ice size selected

L - Large ice size selected

Ice - Ice basket is full

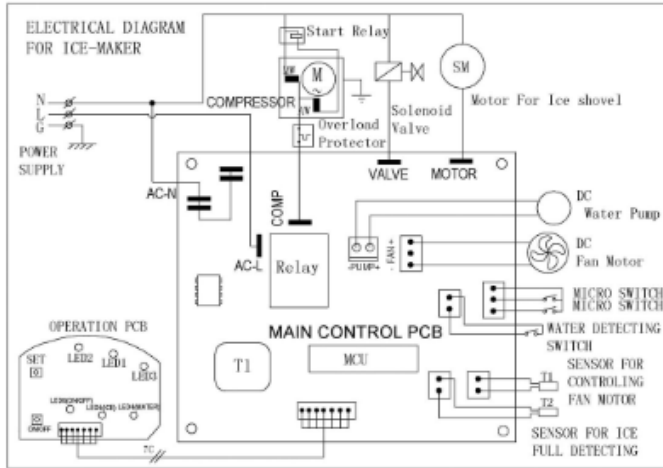
Add water - Water reservoir is empty

DETAILED PARTS DIAGRAM



- | | | |
|----------------------------|---------------------------------|-------------------------------------|
| 1 Inner tank | 16 Inner tank fixing piece | 31 Compressor |
| 2 Ice-making box | 17 Micro switch | 32 Steel grill |
| 3 Evaporator assembly | 18 Ice shovel | 33 Operation panel frame |
| 4 Bottom base | 19 Electromagnet valve assembly | 34 Water filter |
| 5 Condenser | 20 Refrigerant dry filter | 35 Water detecting piece |
| 6 DC12V/Fan blade | 21 Front panel | 36 Up sponge for condenser |
| 7 Rear protection board | 22 Water draining assembly | 37 Down sponge for condenser |
| 8 Electrical box | 23 Rear panel | 38 Fixing set for water pump |
| 9 Rear strengthening board | 24 Support for sensor | 39 DC12V/Water pump |
| 10 Rubber feet with bolts | 25 Ice basket | 40 Power supply cords |
| 11 Main control PWB | 26 Back up cover | 41 Button PWB |
| 12 Transformer | 27 Front up cover | 42 Silicon pipe for supplying water |
| 13 Power cord clipper | 28 Front down cover | 43 Silicon pipe for ice-making box |
| 14 Synchronous motor | 29 Down window | |
| 15 Back down cover | 30 Up window | |

ELECTRICAL DIAGRAM



- | | |
|-------------------------|-------------------------------------|
| 1 PTC Starter | 10 MCU |
| 2 Compressor | 11 Microswitch No.1 |
| 3 Overload protector | 12 Microswitch No.2 |
| 4 Electromagnetic Valve | 13 Water Detecting Element |
| 5 Synchronous Motor | 14 Sensor for controlling fan motor |
| 6 DC water pump | 15 Sensor for ice full detecting |
| 7 DC fan | 16 Main Control PCB |
| 8 Relay | |
| 9 Operation PCB | |

ASSEMBLY & INSTALLATION

1. Remove the exterior and interior packaging. Check that the ice basket and ice scoop are included. If any parts are missing, please contact customer service.
2. Clean the interior with lukewarm water and a soft cloth. Take out the ice basket and clean it.
3. Place your ice maker in a location that is protected from direct sunlight and other heat sources (e.g., stove, furnace, and radiator). Make sure it is on a level surface with at least 5 inches of space between the back and sides of the unit and the wall.

4. Allow one hour for the refrigerant fluid to settle in the compressor before plugging the ice maker in.



NOTICE: After unpacking your ice maker, it must rest in an upright position for at least one hour before you plug it in or the compressor may be damaged, shortening the life span of the unit.

5. Plug in your appliance into an exclusive, properly installed and grounded wall outlet. Do not under any circumstances cut or remove the third (ground) prong from the power cord. Any questions concerning power and/or grounding should be directed to a certified electrician.

We recommend you clean your ice maker thoroughly before using it. Please see Cleaning & Maintenance on page 6 of this guide.

OPERATING INSTRUCTIONS

1. Press the “SELECT” button to choose the ice cube size. If the ambient room temperature is lower than 60°F, it is recommended that you select small or medium sized ice cubes in order to prevent the ice from sticking together.
2. Open the unit’s cover, remove the ice basket, and pour water into the water reservoir. Keep the water level below the “MAX” line marked inside the reservoir.
3. Press the “POWER” button on the control panel to begin the ice making cycle.
4. The ice making cycle lasts anywhere from 6 to 15 minutes, depending on the size of the ice cubes you select and the ambient room temperature. Ice making time may vary significantly in extremely high room temperatures.
5. Periodically verify the water level in the water reservoir when the ice maker is on. If the water level is too low, the ice maker will automatically stop and the “ADD WATER” indicator light will turn on. Press the “POWER” button, fill the reservoir with water up to the level mark, and press the “POWER” button again to restart the unit. Allow at least 3 minutes for the refrigerant inside the compressor to settle before restarting.

6. The ice maker automatically stops working when the ice basket is full. The “ICE” indicator light will also turn on at this time.
7. Change the water in the reservoir every 24 hours to ensure hygienic ice. If the ice maker will not be used for an extended period of time, drain the water from the reservoir by unplugging the drain off cap located on the side of the ice maker.

CLEANING & MAINTENANCE

1. Unplug the unit and remove the ice basket.
2. Clean the interior, including the water reservoir, with diluted detergent, warm water and a soft cloth.
3. Clean the outside of the ice maker with a mild detergent solution and warm water.
4. Dry the interior and exterior with a soft cloth.
5. Replace the ice basket and plug the unit in again.

To remove the build-up of calcium or other impurities, add a capful of vinegar or lemon juice to the water in the reservoir and run for two or three ice-making cycles. Drain and refill the reservoir with clean, warm water. Run two more cycles to rinse the vinegar or lemon-juice.

When the machine is not in use, open the water drain cap to completely drain the water reservoir.

STORAGE

Before storing your ice maker, clean it according to the directions above and allow it to dry thoroughly (at least 24 hours) in order to prevent the growth of mold or mildew.

Store your ice maker in the original packaging, or cover with a soft cloth or plastic sheet.

TROUBLESHOOTING

Problem	Possible Cause	Solution
The “ADD WATER” indicator light is on.	There is not enough water in the tank.	Press the “POWER” button to turn off the unit. Fill the reservoir with water. Press “POWER” to restart.
The “ICE” indicator light is on.	The ice basket is full.	Remove ice from the basket.
The “ADD WATER” and “ICE” lights are both flashing.	The ice shovel may be incorrectly positioned.	Make sure the ice shovel is properly positioned.
	Ice may be blocking the sensor.	Remove any ice that may be blocking the sensor.
The ice making cycle appears to be normal but no ice is being produced.	The refrigerant may be leaking.	Consult a qualified technician.
	A pipe in the cooling system may be blocked.	Consult a qualified technician.
The ice cubes are too small.	The ambient temperature or water temperature may be too high.	Select large sized ice cubes by pressing the “SELECT” button.
	The compressor may need to warm up.	If this is the first time the unit is being used, allow the ice maker to cycle a few times. This should result in larger cubes.
The ice has a “plastic” taste.	The unit’s interior may need to be cleaned.	Add a tablespoon of lemon juice or vinegar to a full tank of water and allow the ice maker to cycle a few times.

Problem	Possible Cause	Solution
The unit produces a large block of ice instead of cubes.	The ambient temperature may be too low.	Unplug the unit and let the ice thaw out. Allow the ice maker to defrost for a few hours and restart the unit.
The ice cubes have a cloudy appearance.	There may be trace minerals in your water or ice is being produced too quickly.	Ice cubes may develop cloudiness when water is frozen quickly. As ice develops on the surface of water, certain gases can no longer remain dissolved and begin to surface as microscopic bubbles. This cloudiness is normal.

LIMITED MANUFACTURER'S WARRANTY

This appliance is covered by a limited manufacturer's warranty. For one year from the original date of purchase, the manufacturer will repair or replace any parts of this appliance that prove to be defective in materials and workmanship, provided the appliance has been used under normal operating conditions as intended by the manufacturer.

Warranty Terms:

During the first year, any components of this appliance found to be defective due to materials or workmanship will be repaired or replaced, at the manufacturer's discretion, at no charge to the original purchaser. The purchaser will be responsible for any removal or transportation costs.

Warranty Exclusions:

The warranty will not apply if damage is caused by any of the following:

- Power failure
- Damage in transit or when moving the appliance
- Improper power supply such as low voltage, defective household wiring or inadequate fuses
- Accident, alteration, misuse or abuse of the appliance such as using non-approved accessories, inadequate air circulation in the room or abnormal operating conditions (extreme temperatures)
- Use in commercial or industrial applications
- Fire, water damage, theft, war, riot, hostility or acts of God such as hurricanes, floods, etc.
- Use of force or damage caused by external influences
- Partially or completely dismantled appliances
- Excess wear and tear by the user

Obtaining Service:

When making a warranty claim, please have the original bill of purchase with purchase date available. Once confirmed that your appliance is eligible for warranty service, all repairs will be performed by a NewAir™ authorized repair facility. The purchaser will be responsible for any removal or transportation costs. Replacement parts and/or units will be new, re-manufactured or refurbished and is subject to the manufacturer's discretion. For technical support and warranty service, please email support@newairusa.com.