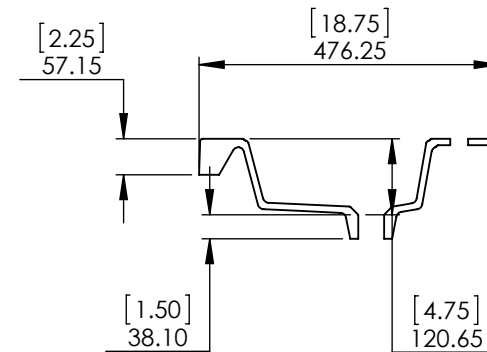
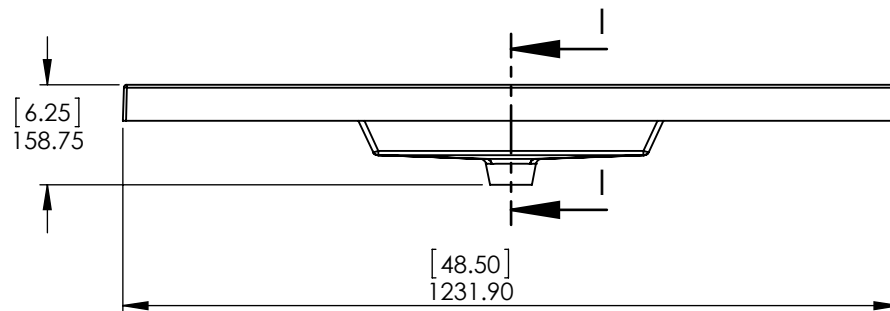
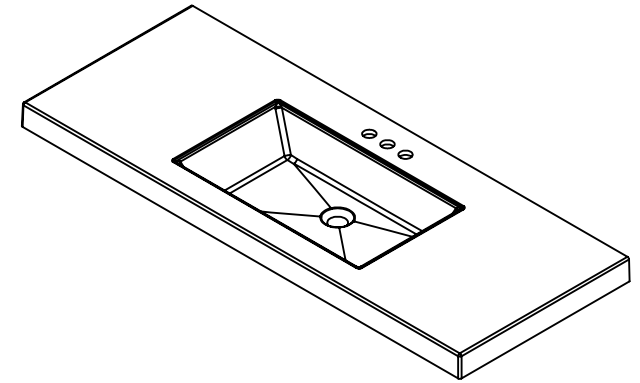
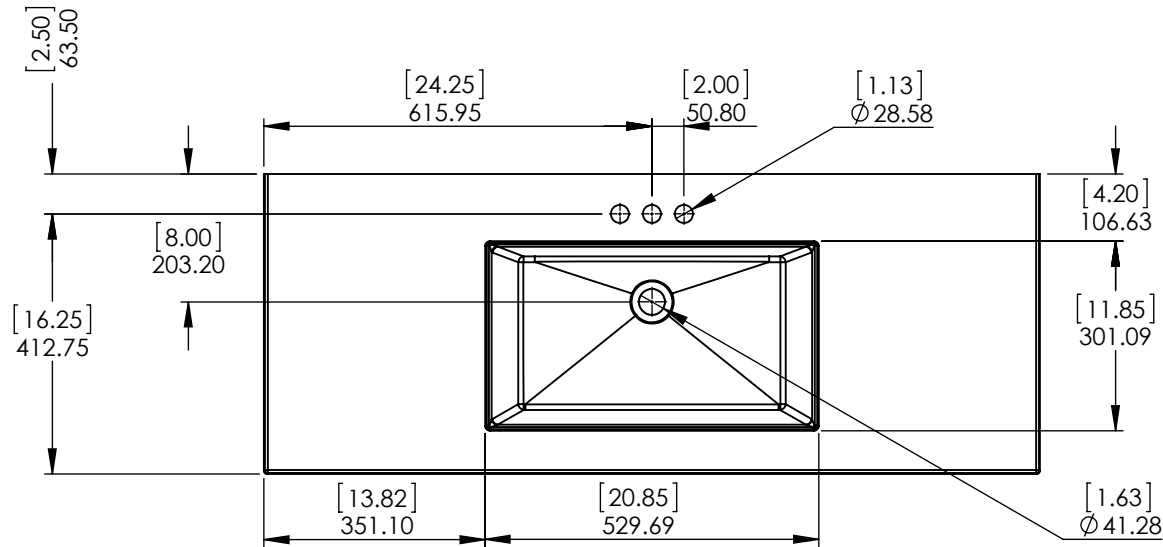


ID	Description	Technology	Status
595480	Vtop Oslo 48.5x18.75 White 4in	Solid White	Approved for production

Rev #	Approved by	Change
0	R. Rubio	Released



NOTE: MAX. WARPAGE
TOLERANCE 1/8"

PROPRIETARY AND CONFIDENTIAL
THE INFORMATION CONTAINED IN THIS DRAWING IS THE
SOLE PROPERTY OF WOODCRAFTERS. ANY
REPRODUCTION IN PART OR AS A WHOLE WITHOUT THE
WRITTEN PERMISSION OF WOODCRAFTERS IS PROHIBITED.

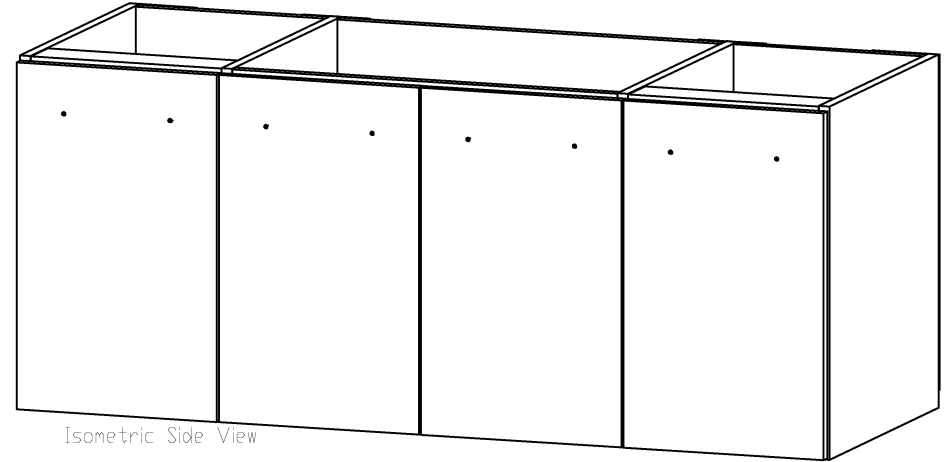
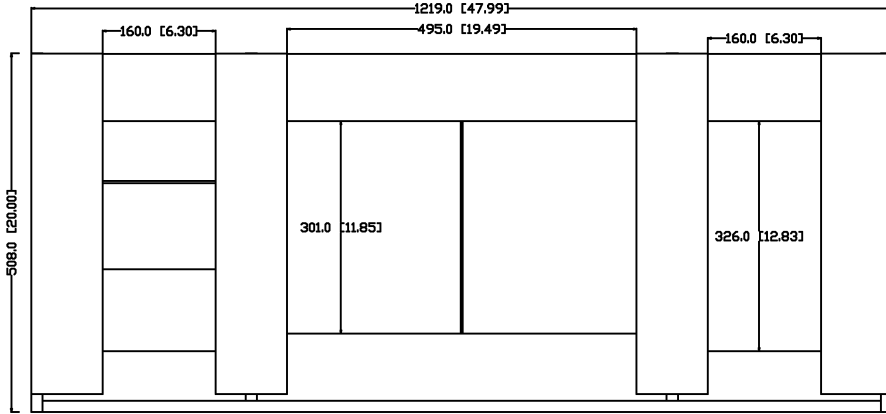
UNLESS OTHERWISE SPECIFIED
DIMENSIONS ARE IN MM.
AND (INCHES)
TOLERANCES ARE
+ 0.125 [3.175] - 0.125 [-3.175]
SCALE:1:12

	NAME	DATE
DRAWN	R. Rubio	11/01/16
CHECKED	R. Rubio	11/01/16
ENG APPR.	R. Rubio	11/01/16
MFG APPR.	C. Leal	11/01/16

Wood Crafters		SIZE	DWG. NO.	SHEET 1 OF 1	REV: 0
		A	Vtop Oslo 48.5x18.75 4in		

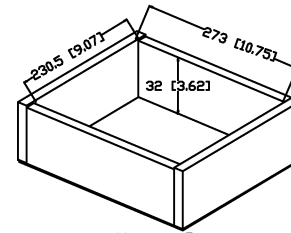
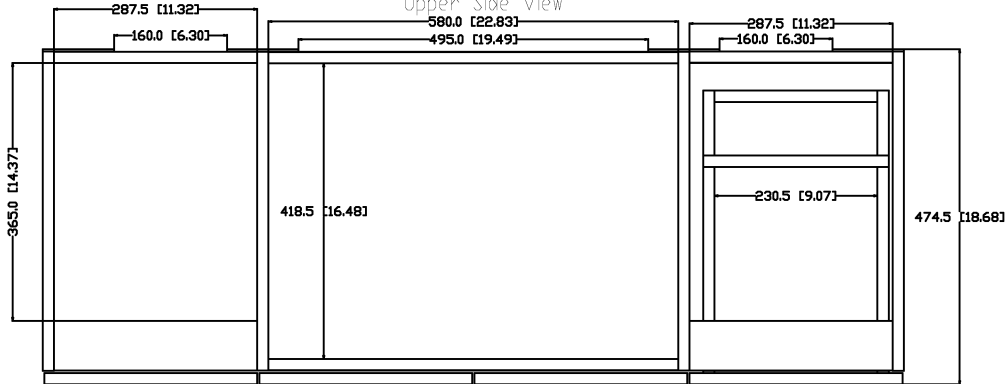
REV	ECO#	DESCRIPTION	APRVD BY DATE
0		Released	CR Nov. 3, 2016

Back Side View

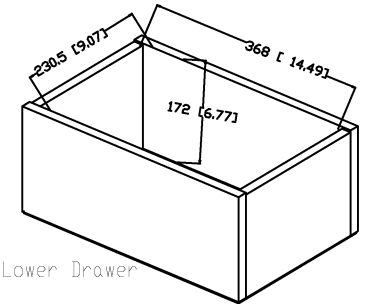


Isometric Side View

Upper Side View

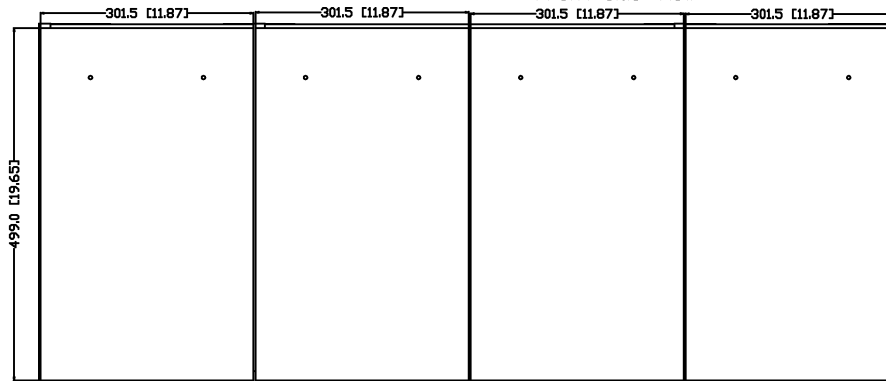


Upper Drawer

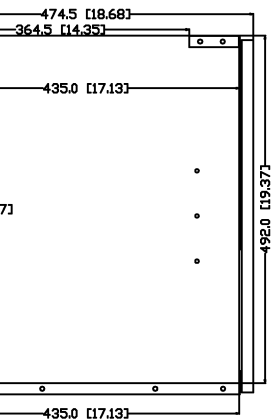
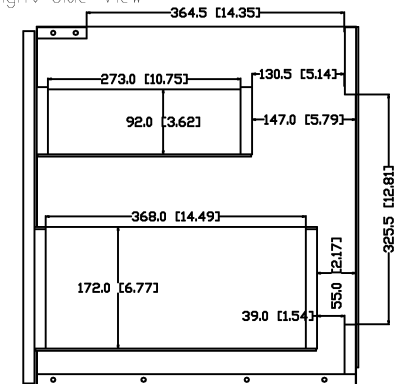


Lower Drawer

Front Side View



Right Side View



Left Side View

PROPRIETARY AND CONFIDENTIAL
 THE INFORMATION CONTAINED IN THIS DRAWING IS THE
 SOLE PROPERTY OF WOODCRAFTERS HOME PRODUCTS
 L.L.C. ANY REPRODUCTION IN PART OR AS A WHOLE
 WITHOUT THE WRITTEN PERMISSION OF WOODCRAFTERS
 HOME PRODUCTS L.L.C. IS PROHIBITED.

UNLESS OTHERWISE SPECIFIED
 DIMENSIONS ARE IN mm
 and (inches)
 AND TOLERANCES ARE
 +/- 1 [0.04]

DRAWN BY:	Carlos Reyes
CHECKED BY:	Carlos Reyes
APPROVED BY:	Carlos Reyes
NO NOT SCALE DRAWING	SCALE: 1:1

TITLE:	ST48P2-EE Stella Elm Ember
PART NO:	
PAGE	1 OF 1
REV:	0