



bestchoiceproducts



# INSTRUCTION MANUAL

---

Solar Power Birdbath



bestchoiceproducts

---

As shoppers, we're always trying to find the perfect balance between quality & value. At BCP, we believe we've achieved that. Our diverse catalog of everyday essentials is tailored especially to our customers & guaranteed to hit that sweet spot of high quality & low price.

— Always. —

## ! NOTICE

Please retain these instructions for future reference.

- Product is intended for outdoor use only.
- Do not damage or scratch the solar panel.
- Use in direct sunlight for best results.
- Use bird bath with fresh water only.
- Be aware that some parts are heavy and have sharp edges.
- If any parts are missing, broken, damaged, or worn, stop using this product until repairs are made and/or factory replacement parts are installed.
- Do not use this item in a way inconsistent with the manufacturer's instructions as this could void the product warranty.

## TOOLS REQUIRED



PHILLIPS  
SCREWDRIVER

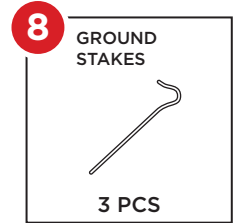
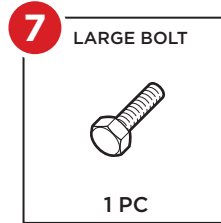
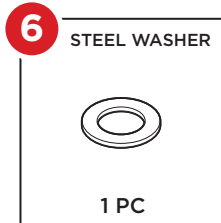
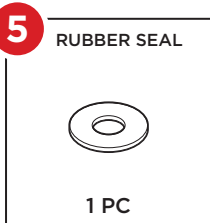
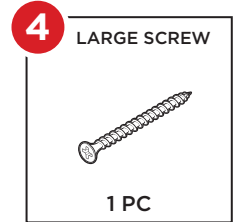
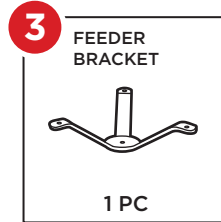
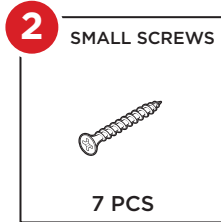
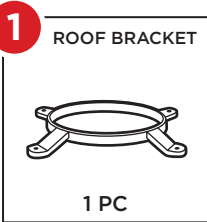


1 PERSON  
ASSEMBLY

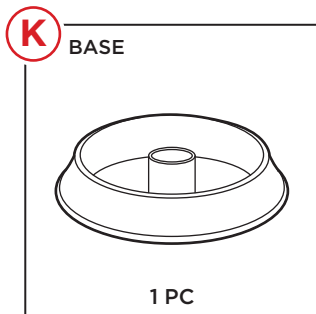
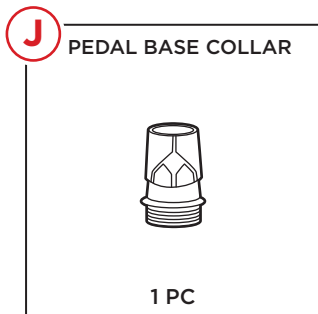
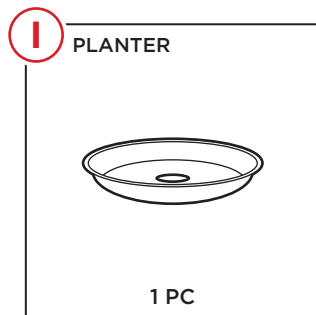
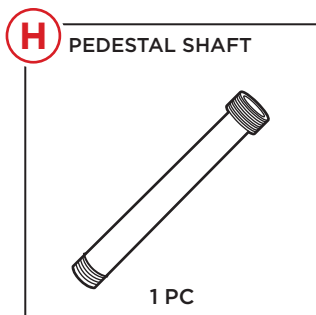
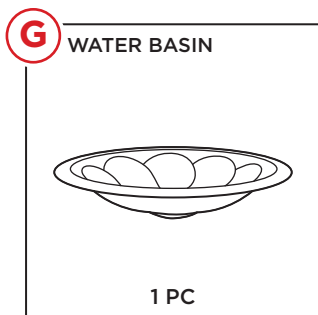
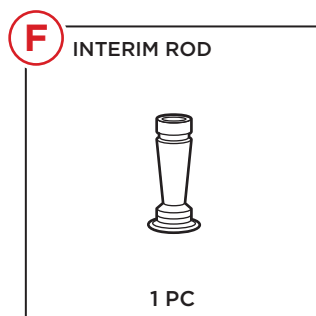
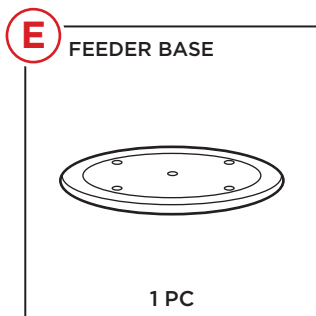
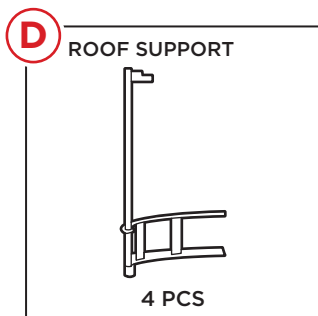
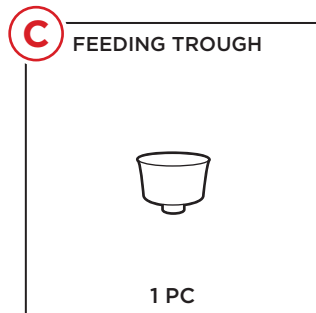
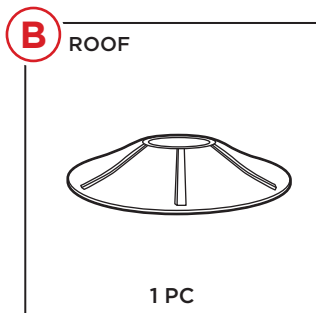
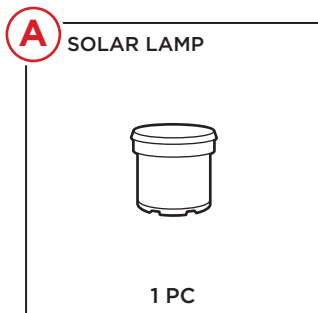


UP TO 20 MIN.  
ASSEMBLY

## HARDWARE



## PARTS

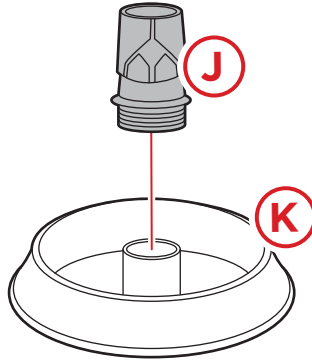


## PRODUCT ASSEMBLY

Assemble from base to top.

1

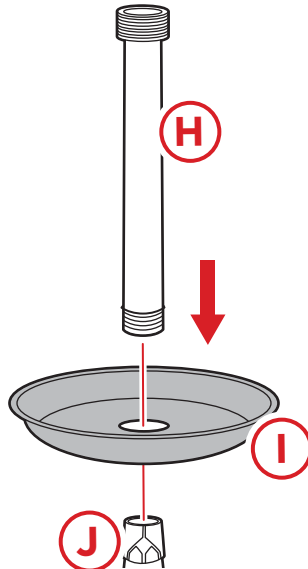
Screw the part J pedestal base collar into the part K base.



2

Place the part I planter on top of the part J pedestal base collar.

Insert the part H pedestal shaft through the opening in the planter and screw the pedestal shaft into the base collar.

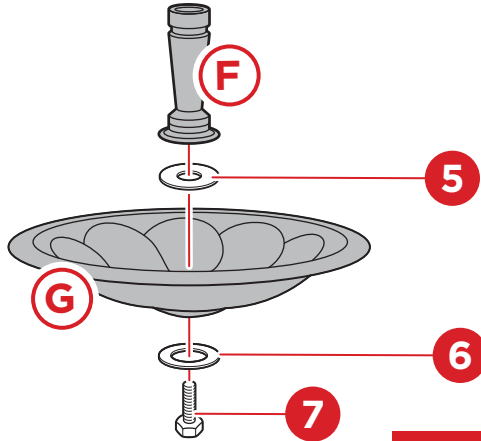


## PRODUCT ASSEMBLY

3

Insert the part 7 bolt into the part 6 steel washer. Locate the part G water basin and insert the bolt through the bottom hole.

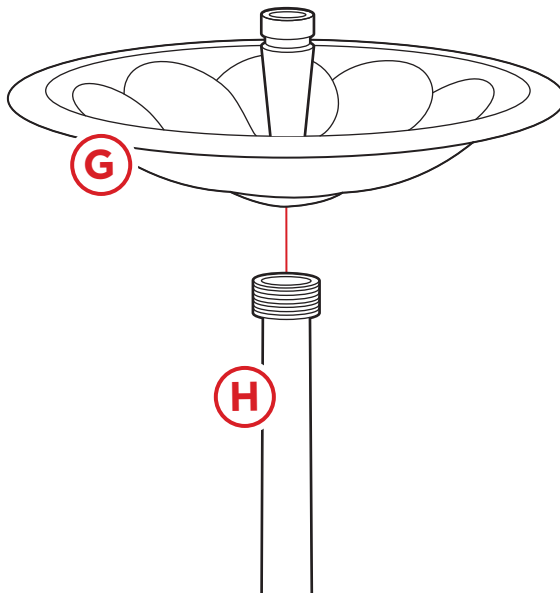
Place the part 5 rubber seal over the bolt, then screw the part F interim rod onto the bolt until secure.



Make sure the rubber seal is centered beneath the interim rod to prevent water leakage

4

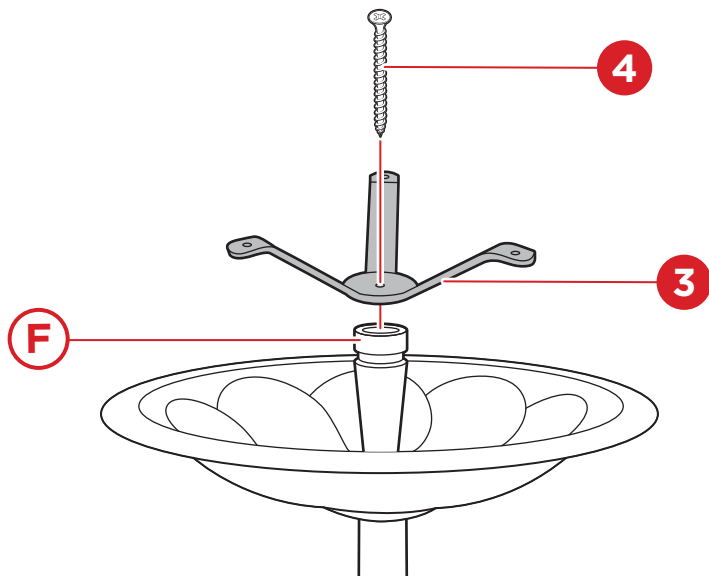
Screw the water basin assembly onto the part H pedestal shaft.



## PRODUCT ASSEMBLY

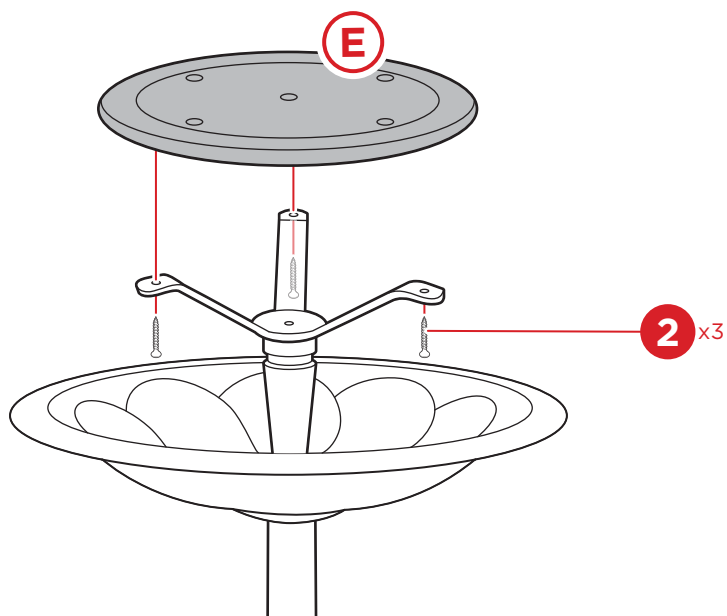
5

Use the part 4 large screw to connect the part 3 feeder bracket to the part F interim rod.



6

Attach the part E feeder base to the feeder bracket with three part 2 screws.

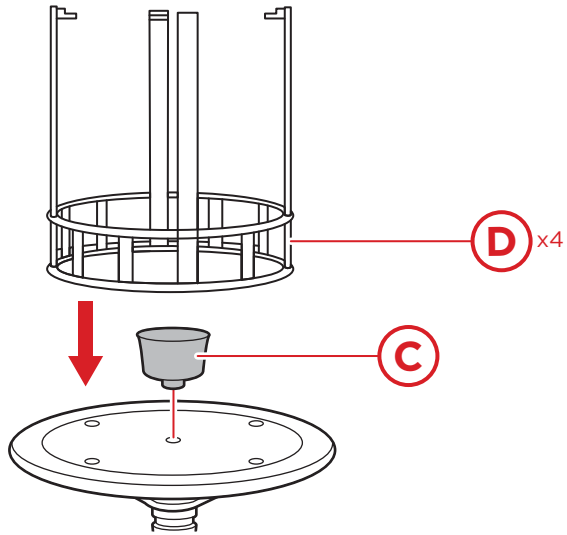


## PRODUCT ASSEMBLY

7

Insert the part C feeding trough into the center of the feeder base.

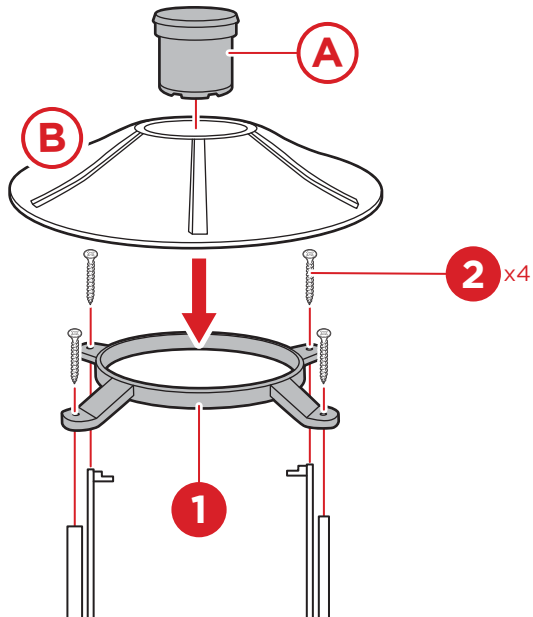
Insert four part D roof supports into the feeder base.



8

Attach the part 1 roof bracket to the roof supports with four part 2 screws.

Place the part B roof onto the roof bracket, then insert the part A solar lamp.

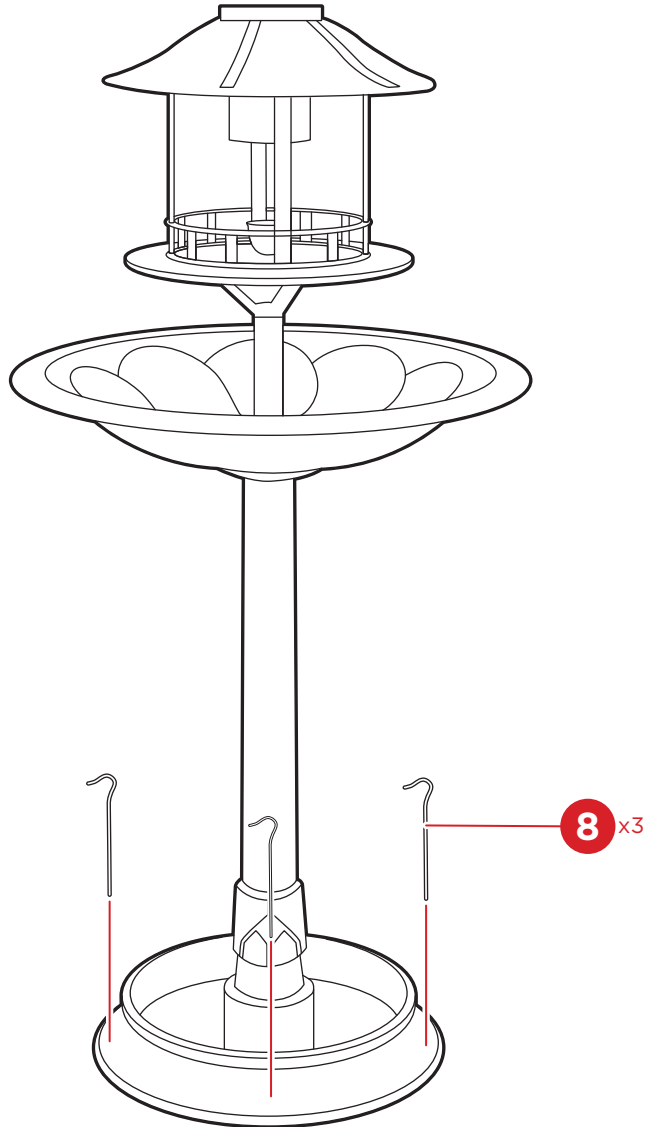




## PRODUCT ASSEMBLY

9

Choose a location and insert the part 8 ground stakes into the part K base to secure your birdbath.





**bestchoiceproducts**

---

Check out more great products:

**[bestchoiceproducts.com](http://bestchoiceproducts.com)**

---

Earn points while you shop. Join today!

bestchoiceproducts  
**rewards**

Join | Earn | Redeem

Give your friends 15% off their first order! For each successful referral you'll receive 100 points.

[bestchoiceproducts.com](https://bestchoiceproducts.com)



# HELP CENTER



Question about your product? We're here to help. Visit us at:

[help.bestchoiceproducts.com](http://help.bestchoiceproducts.com)



Product Assembly



Returns & Refunds

## PRODUCT WARRANTY INFORMATION

All items can be returned for any reason within 60 days of the receipt and will receive a full refund as long as the item is returned in its original product packaging and all accessories from its original shipment are included. All returned items will receive a full refund back to the original payment method. All returned items will not be charged a re-stocking fee.

All returned items require an RA (Return Authorization) number, which can only be provided by a Best Choice Products Customer Service Representative when the return request is submitted. Items received without an RA may not be accepted or may increase your return processing time. Once an item has been received by Best Choice Products, refunds or replacements will be processed within 5 business days.

All returns must be shipped back to the Best Choice Products Return Center at the customer's expense. If the reason for return is a result of an error by Best Choice Products then Best Choice Products will provide a pre-paid shipping label via email. Boxes for return shipping will not be provided by Best Choice Products, and is the customer's responsibility to either use the original shipping boxes or purchase new boxes.

Pictures may be required for some returns to ensure an item is not damaged prior to its return. Items returned are not considered undamaged until they are received by Best Choice Products and verified as such. All damages to items are the customer's responsibility until the item has been received by and acknowledge by Best Choice Products as undamaged.

## WARNING

Manufacturer and seller expressly disclaim any and all liability for personal injury, property damage or loss, whether direct, indirect, or incidental, resulting from the incorrect attachment, improper use, inadequate maintenance, unapproved modification, or neglect of this product.