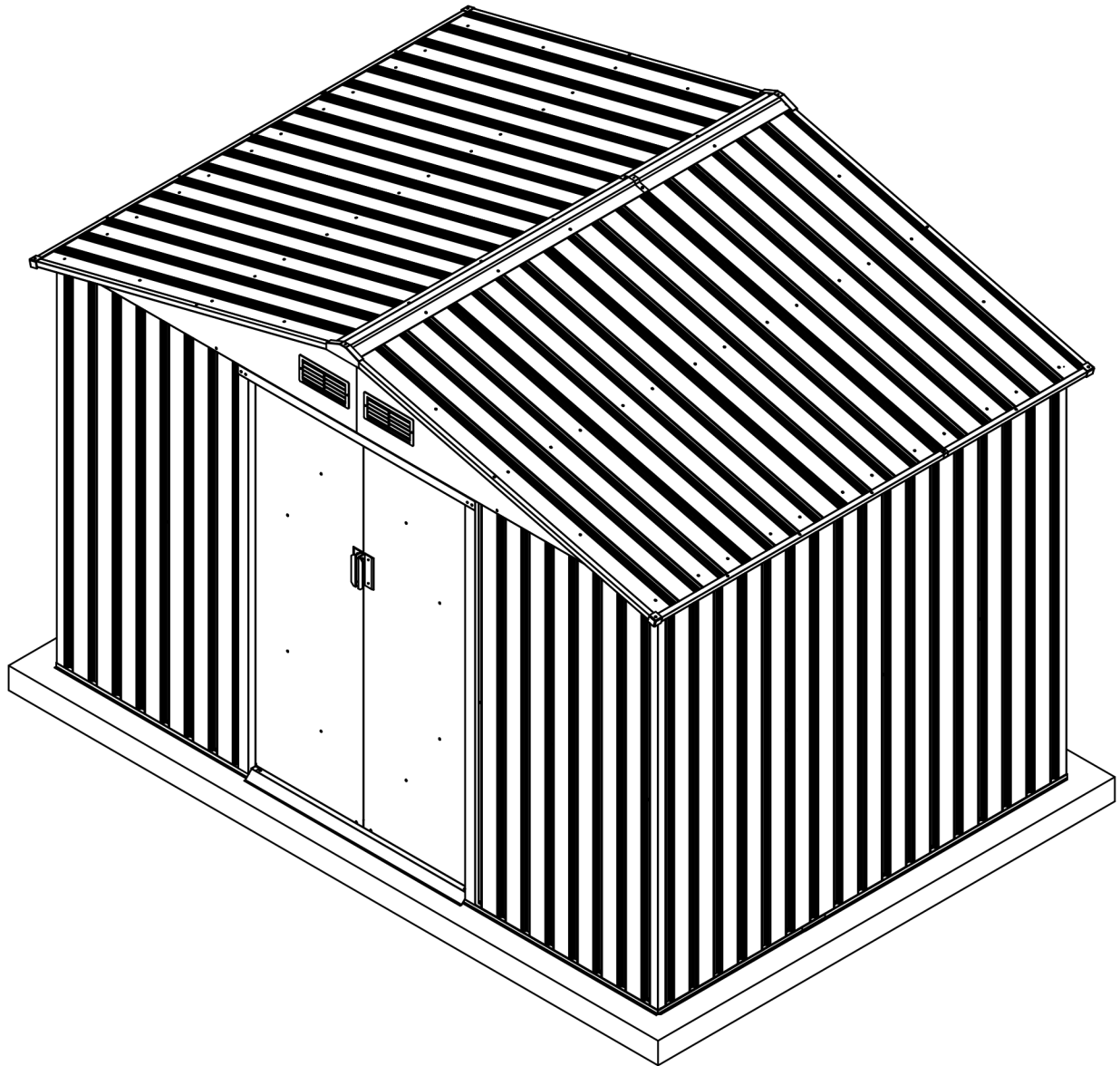




845-031YL 845-031GN 845-031GY



Requires two people and takes 2-3 hours for Installation.



OPERATING INSTRUCTIONS

Assembly Preparation

Owner's Manual

Please check local building codes regarding footings, location and other requirements before beginning construction. Study and understand this owner's manual of important information and helpful tips for easier and more enjoyable assembly.

Assembly instructions:

Reviewing all instructions and the appropriate information before you begin, make sure following the step sequence carefully for successful results.

Flooring base:

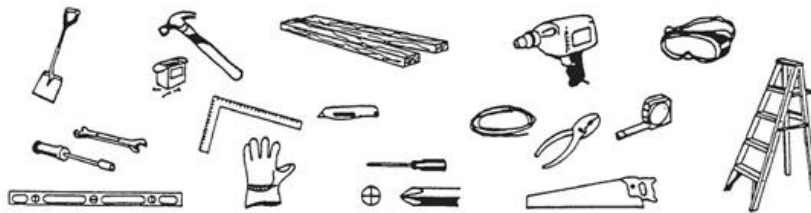
Your storage building must be anchored to prevent wind damage and Abased may necessary to construct a square and level building. The base is not included in the kit which may need purchase separately or may construct a foundation and anchoring system of your own. A good location for the storage building is a level area with good drainage.

Parts and Parts List:

Check to be sure that you have all the necessary parts for your building.

Tools you need:

(Please tear off the safety protection layer before the assembly, keep the part number label if needed)



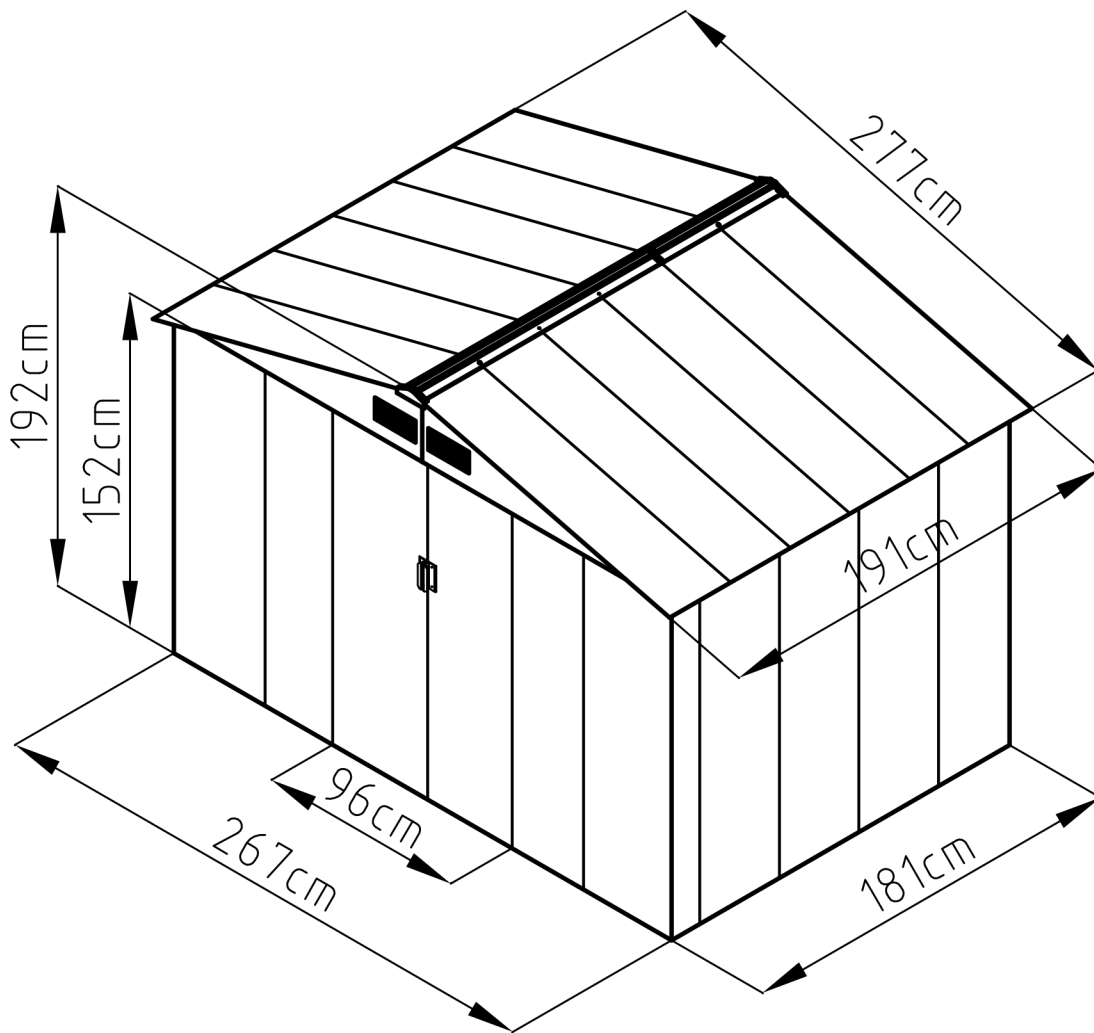
Safety must be put in the No. 1 position:

- 1 Select a dry and calm day for your assembly. Team works (Two or more people) are required during the assembly;
- 2 Wearing safety gloves, eye protection and long sleeves during the assembly to prevent injury; Pay attention to the sharp edge of some parts;
- 3 Children and pets are not allowed entering into the construction site;
- 4 Never concentrate your total weight on the roof of the building. When using a step ladder make sure that it is safety;

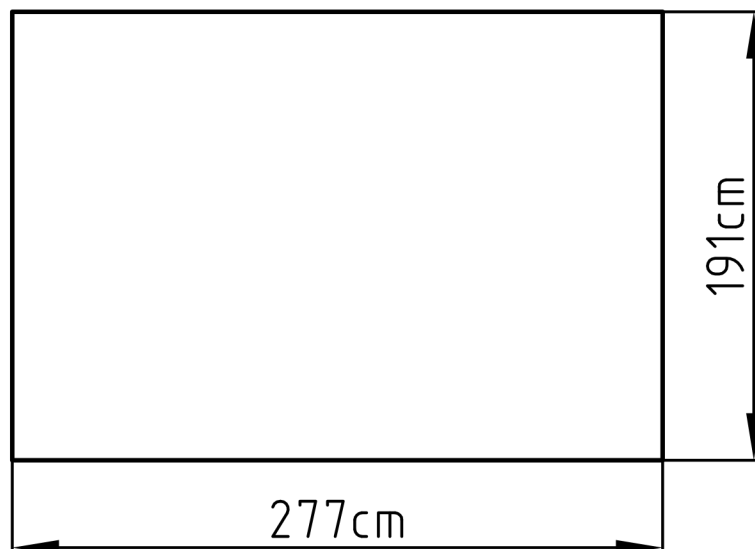
Care & Maintenance:

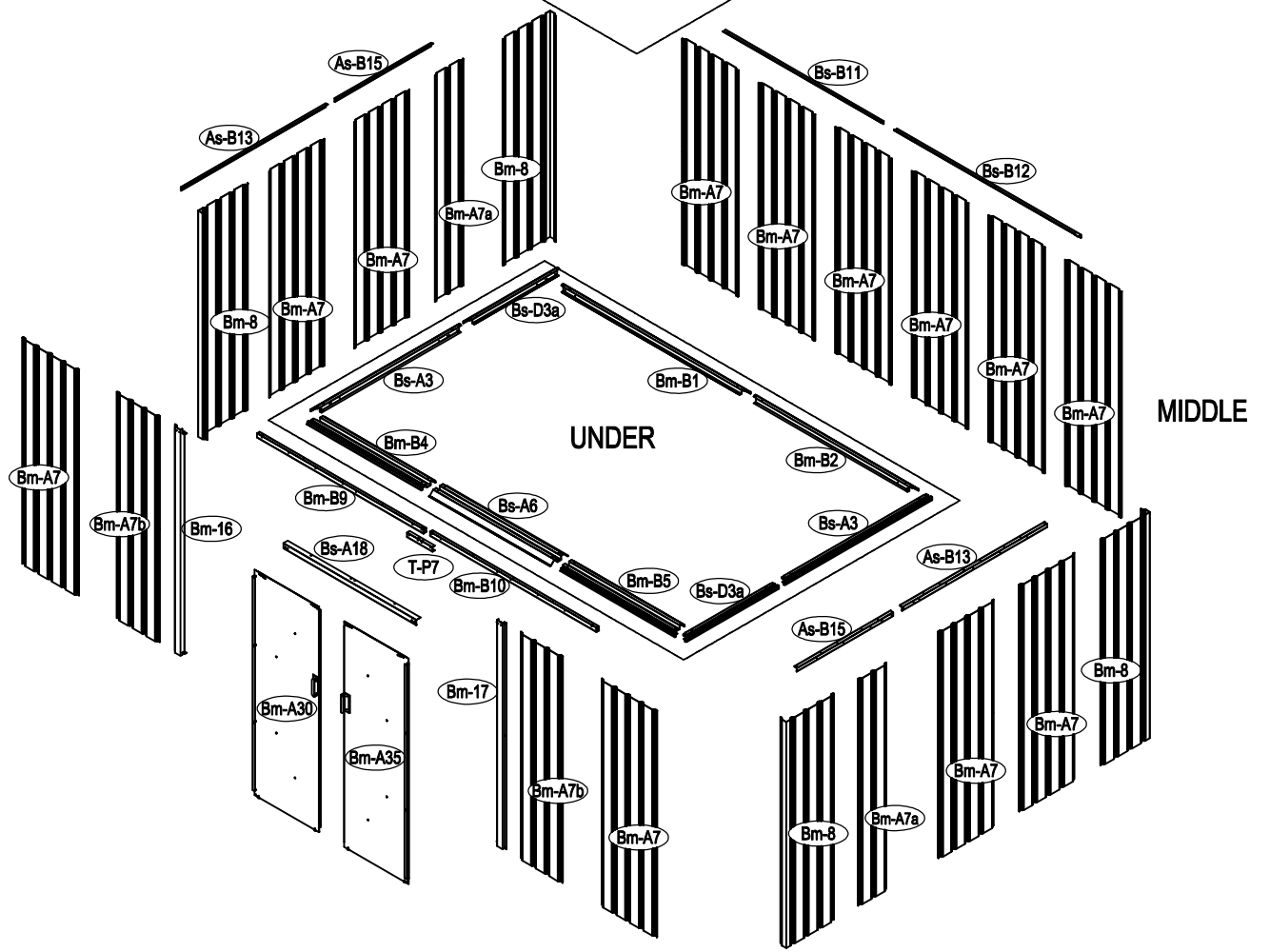
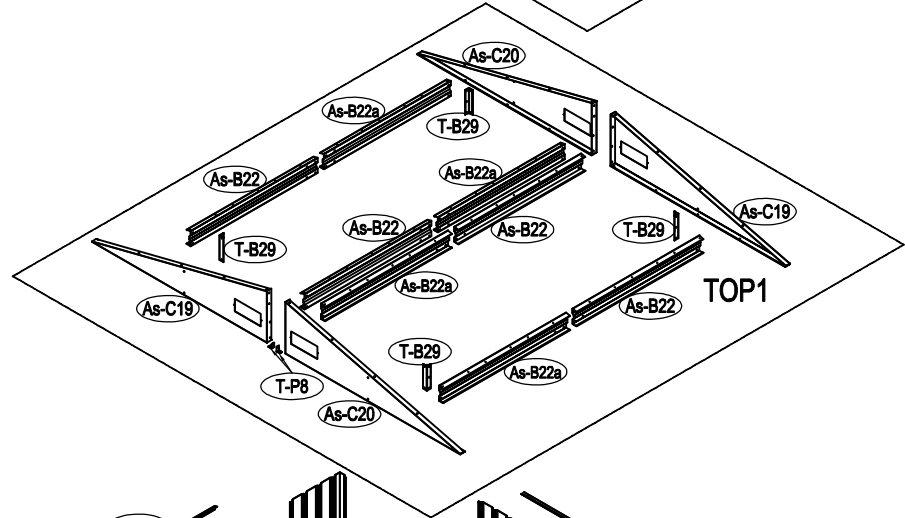
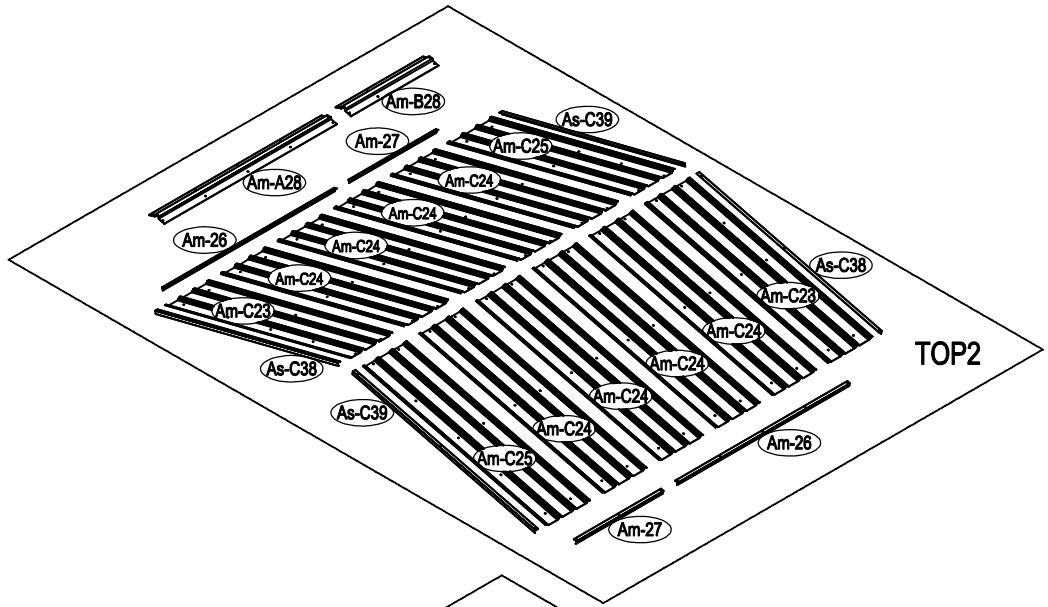
- 1 Keep the shed clean with soft cloth, use water if necessary;
- 2 Keep the door tracks clear of dirt and other stuff that prevent them from sliding easily.
- 3 Clean the snow with necessary tools to make sure it is safe to enter into; Heavy snow may cause collapse, please make sure safety before entering into.
- 4 The shed is not made for living but storing stuff.

Size:

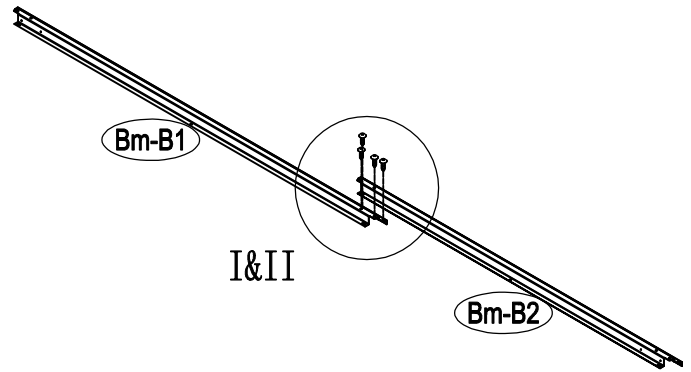
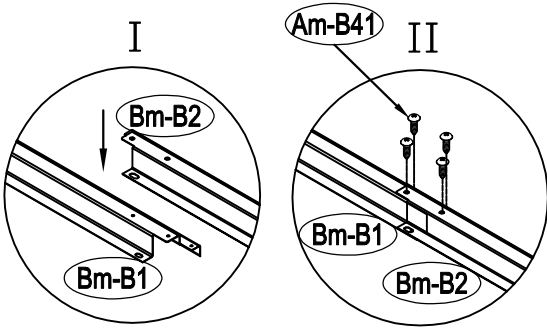


Area of installation requirement:

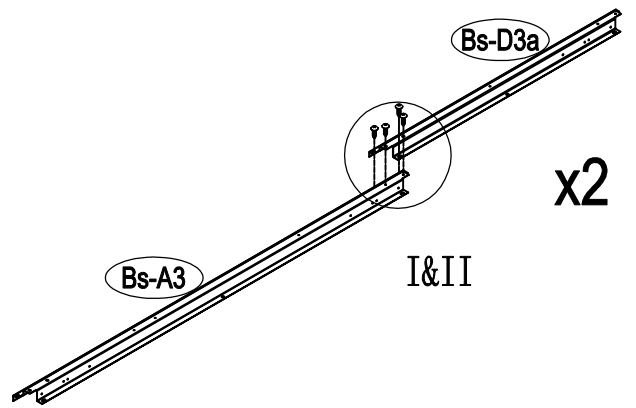
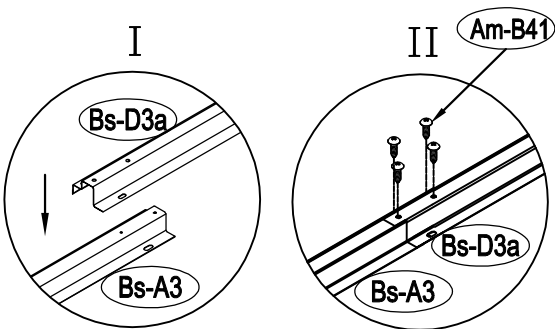




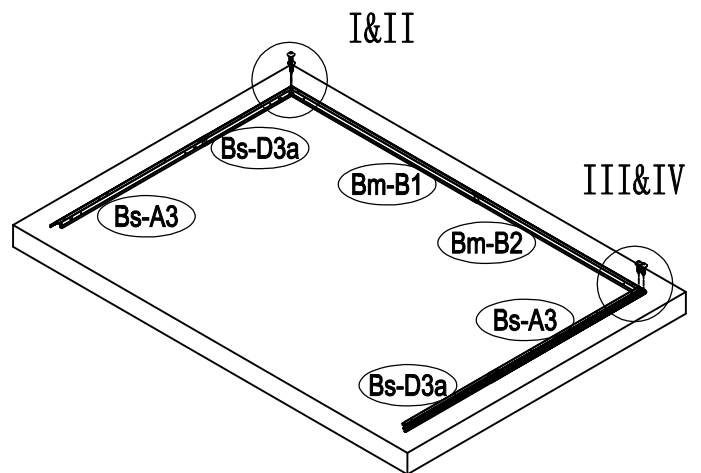
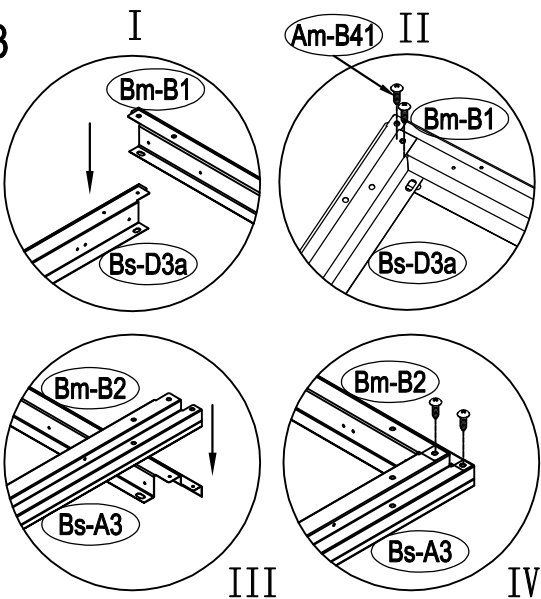
1

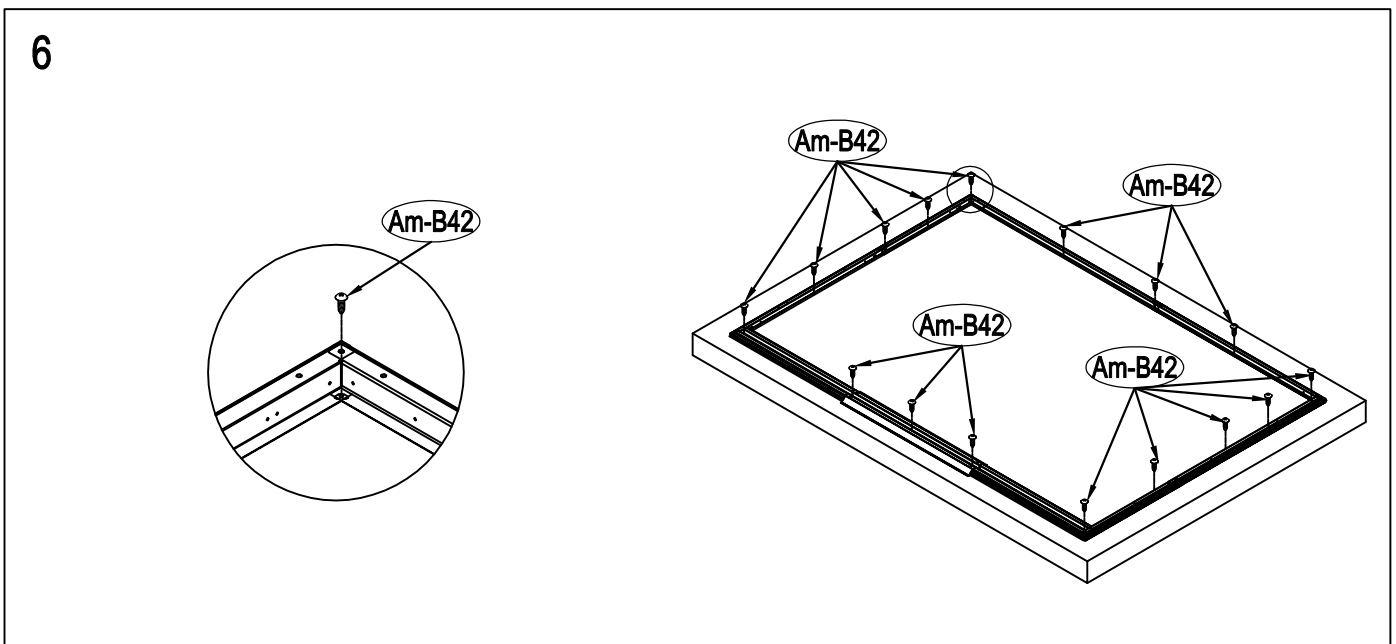
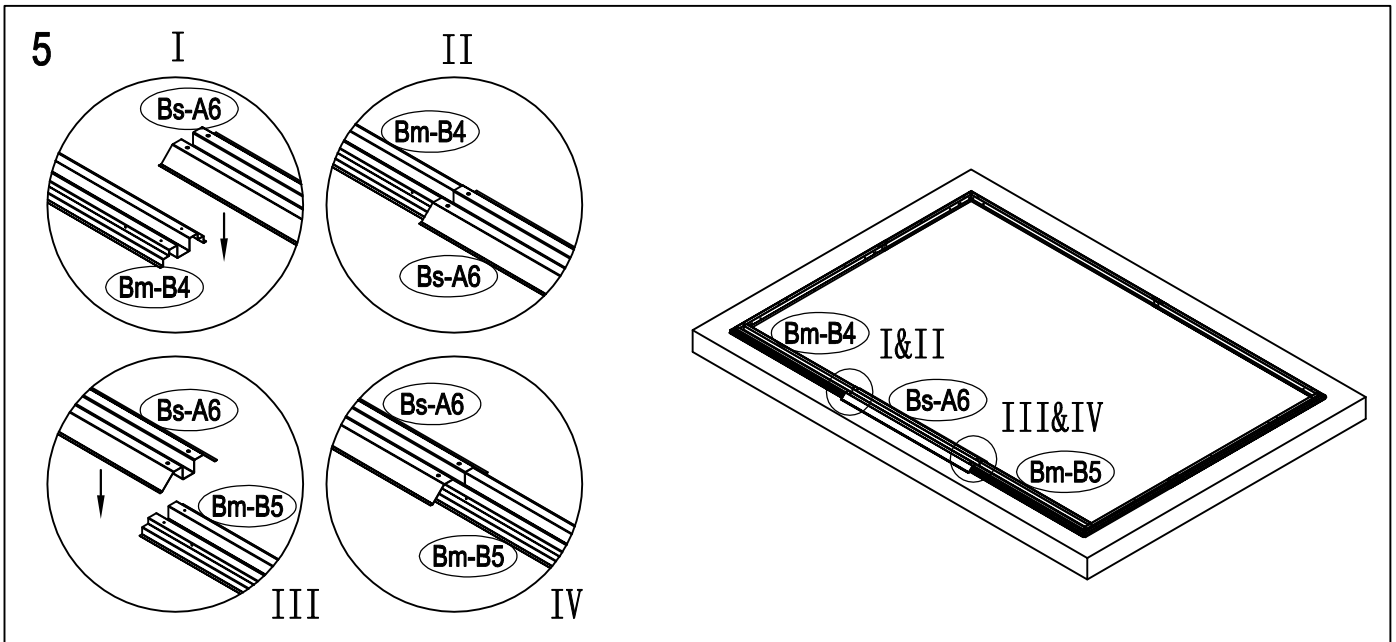
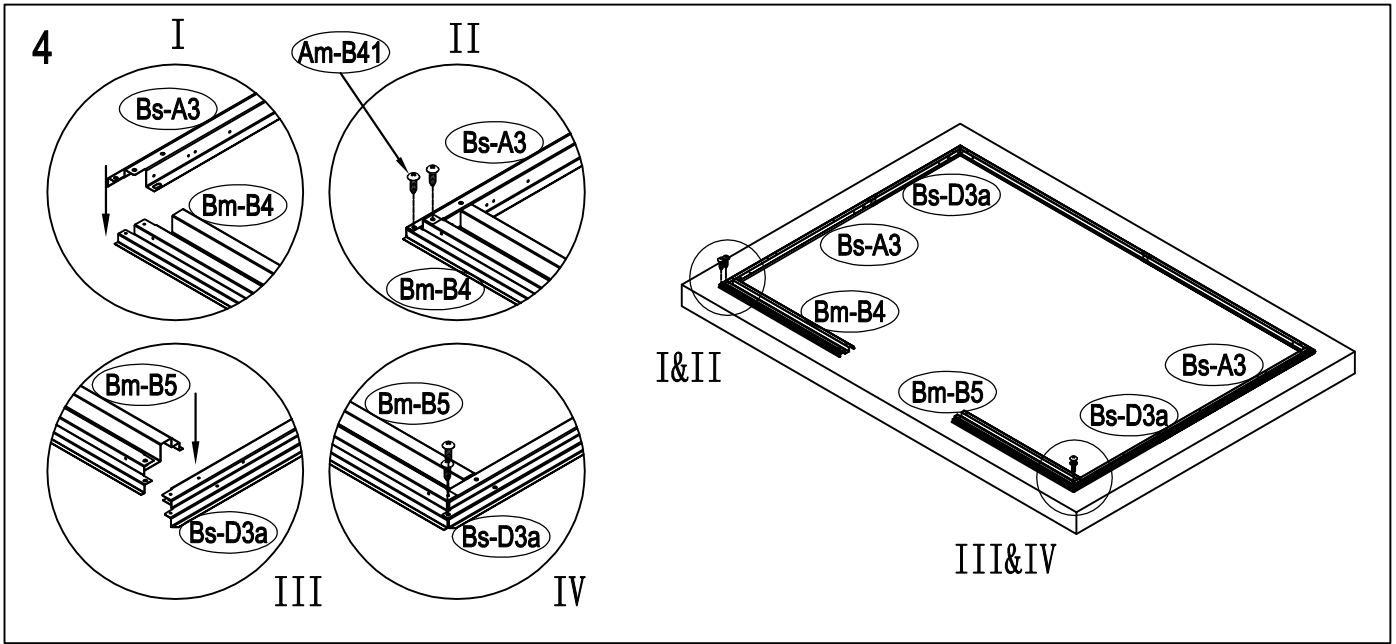


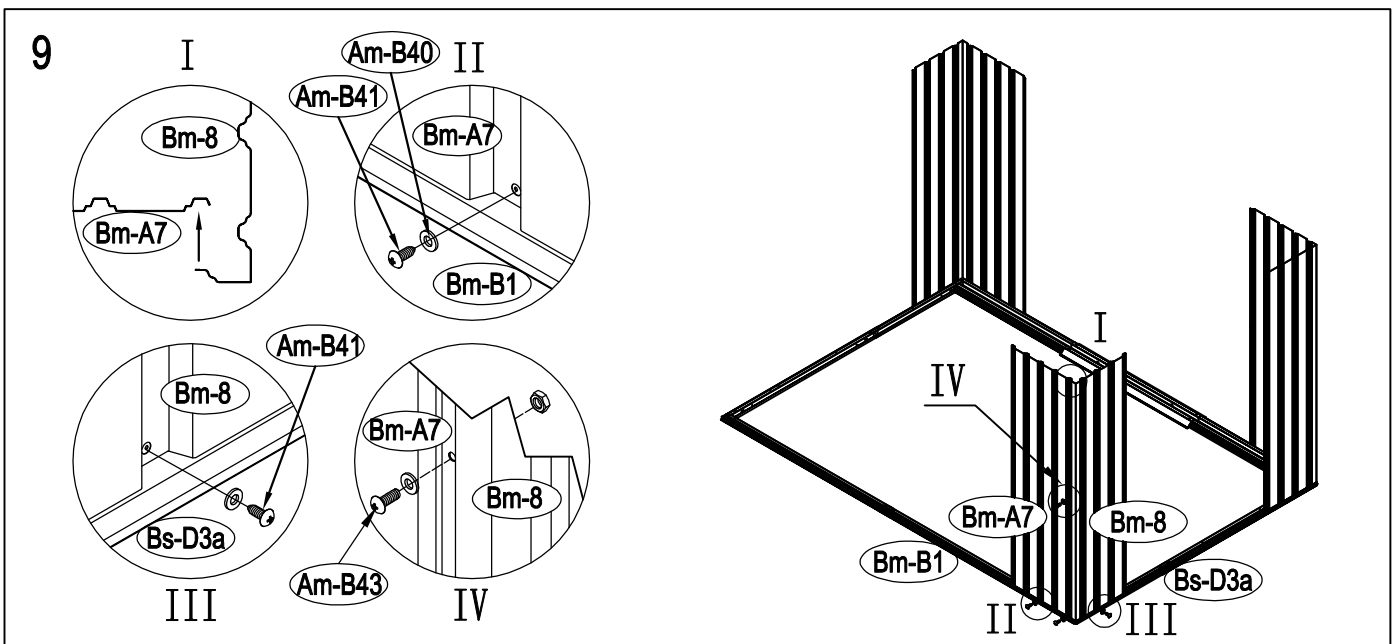
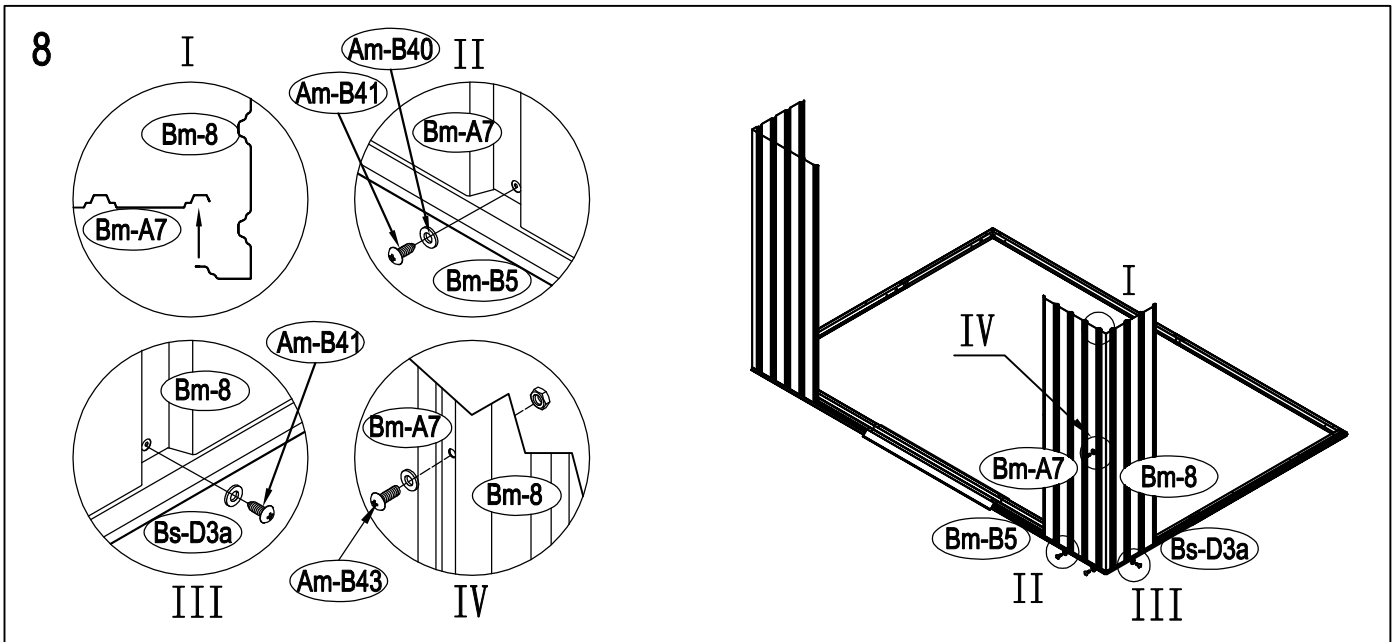
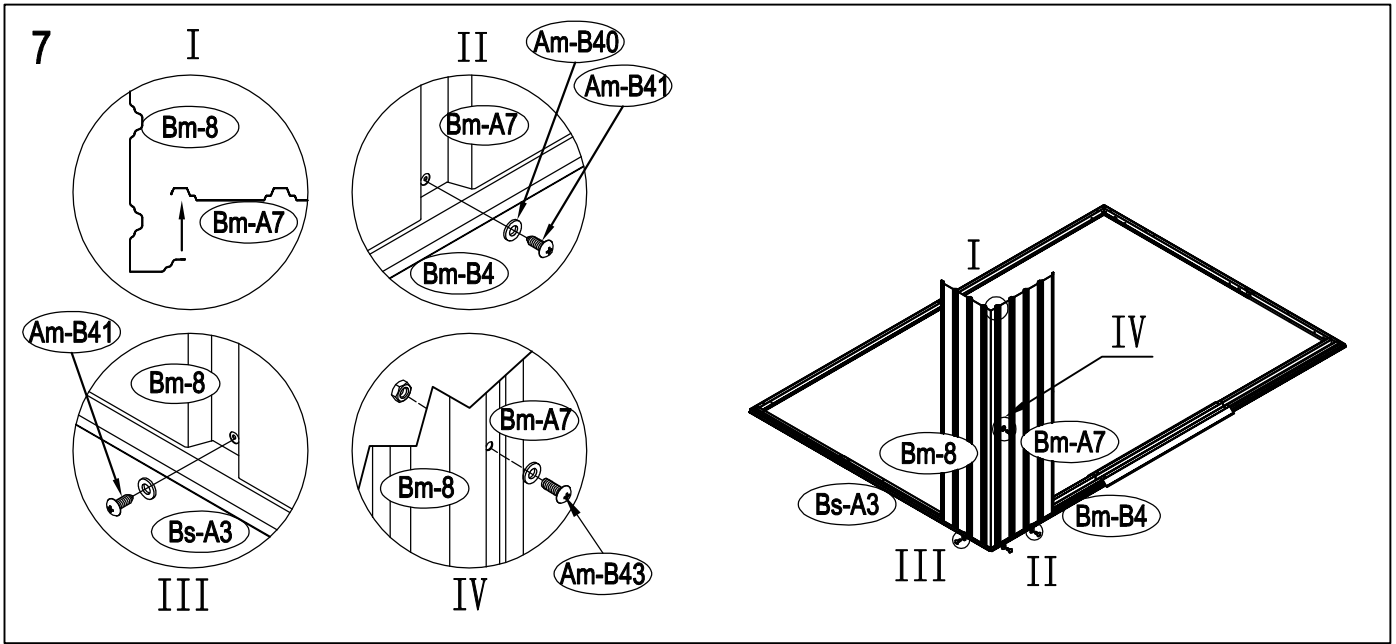
2

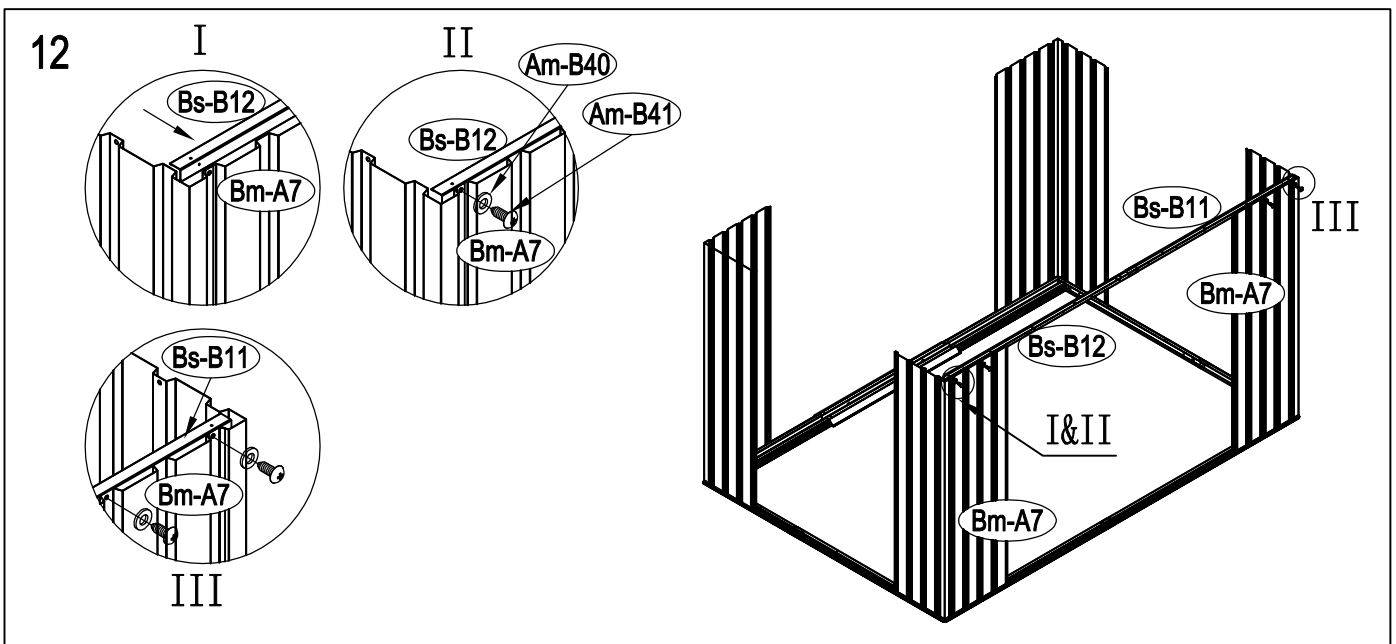
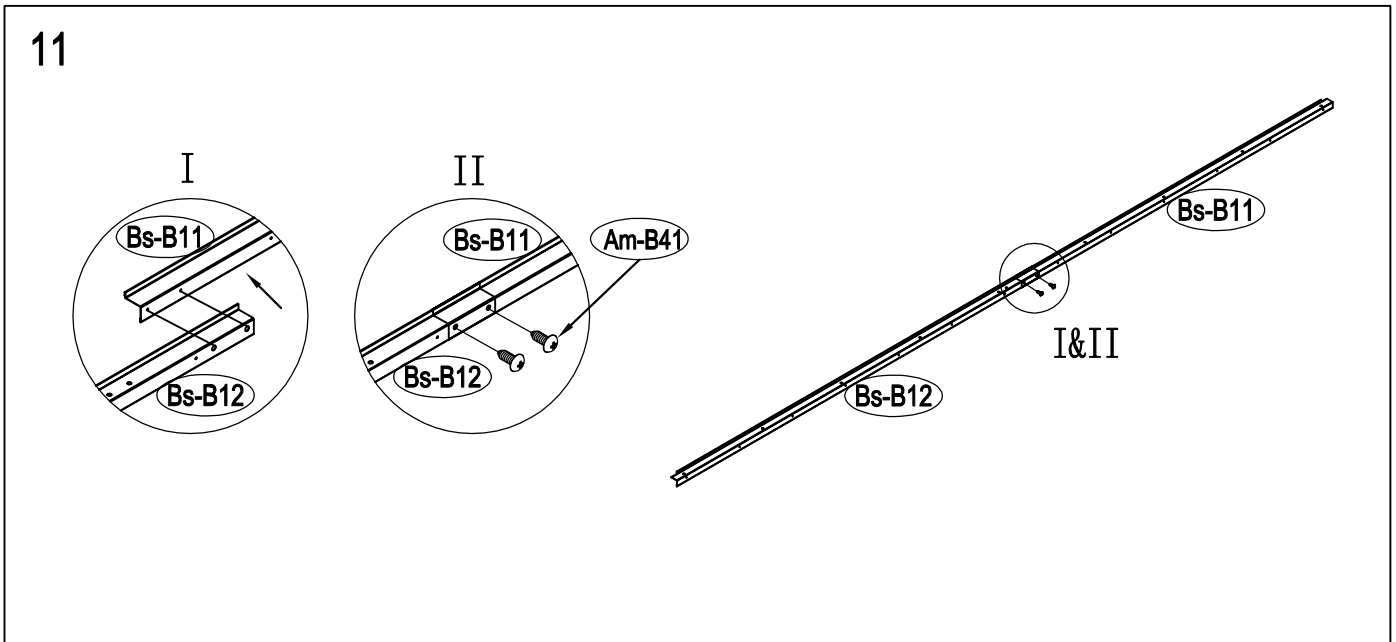
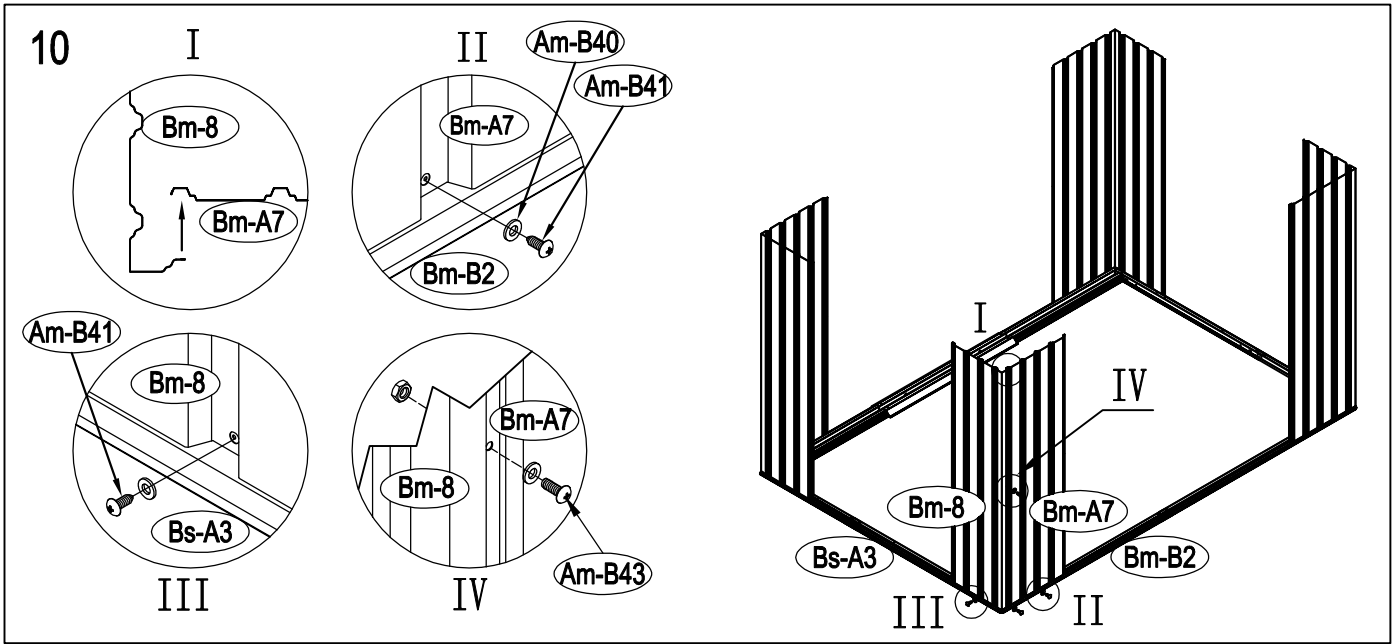


3

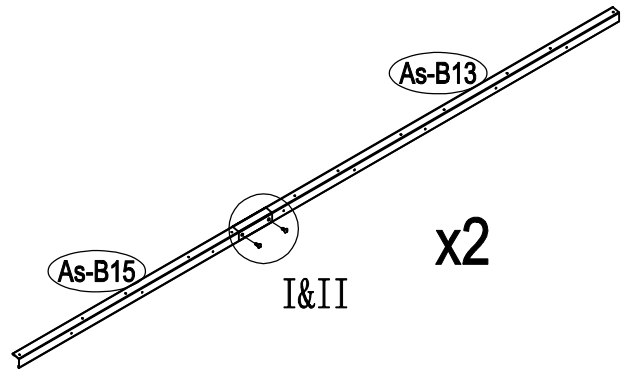
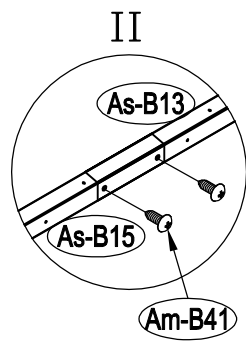
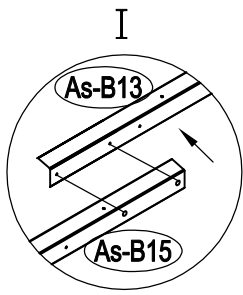




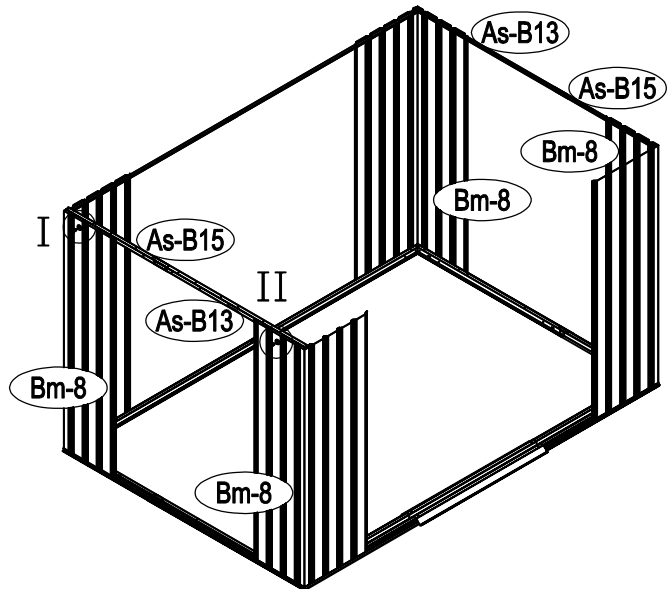
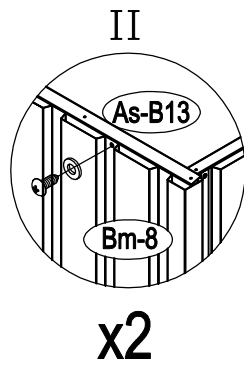
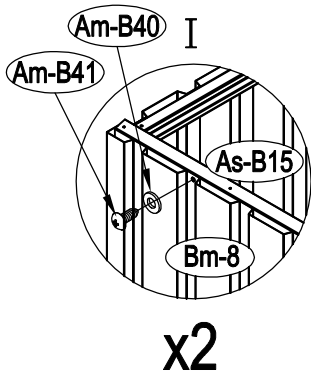




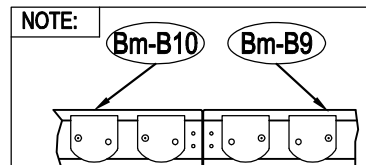
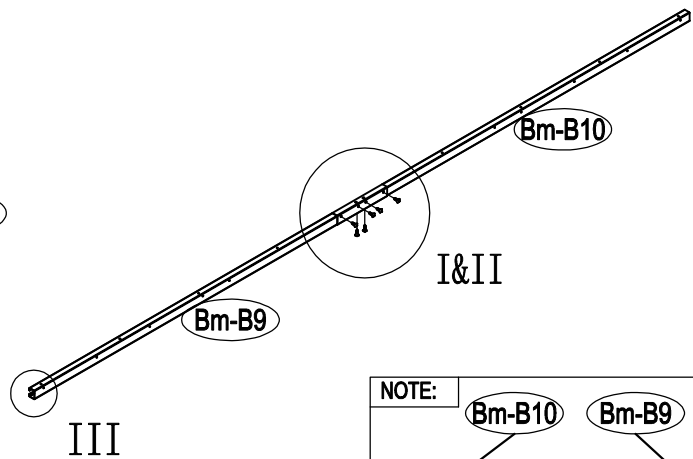
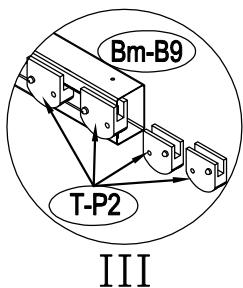
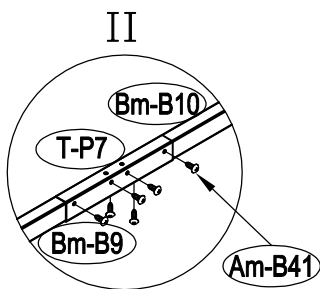
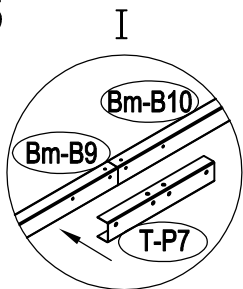
13



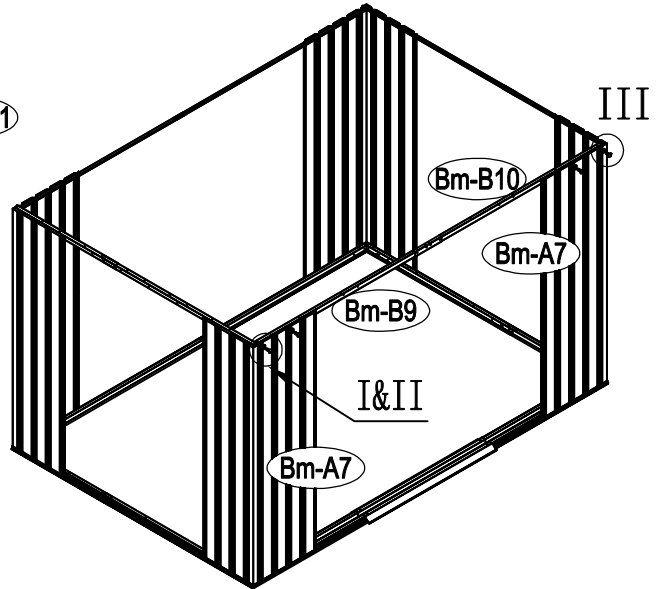
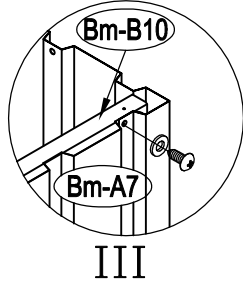
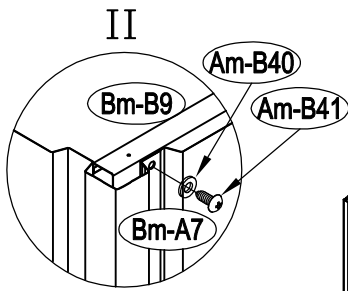
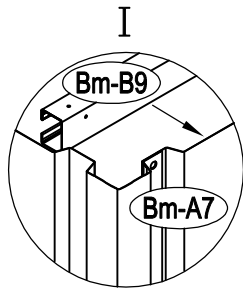
14



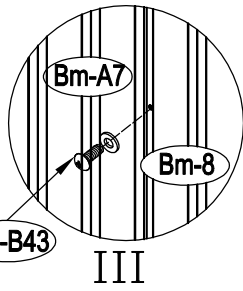
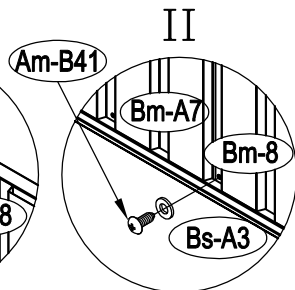
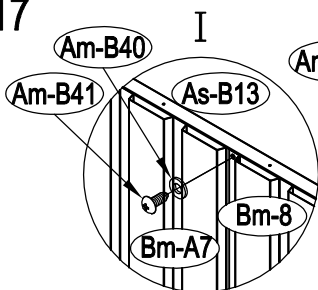
15



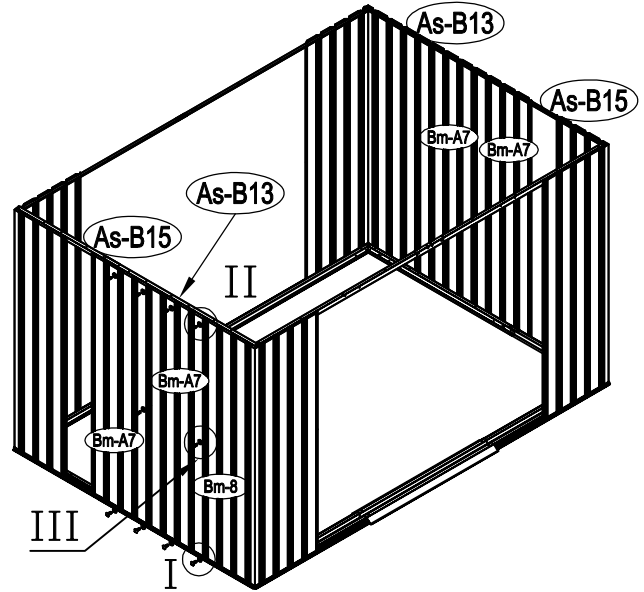
16



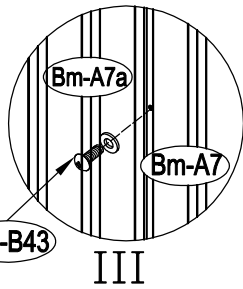
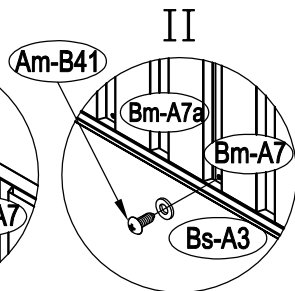
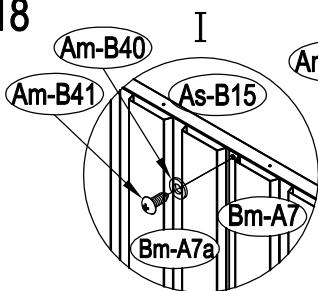
17



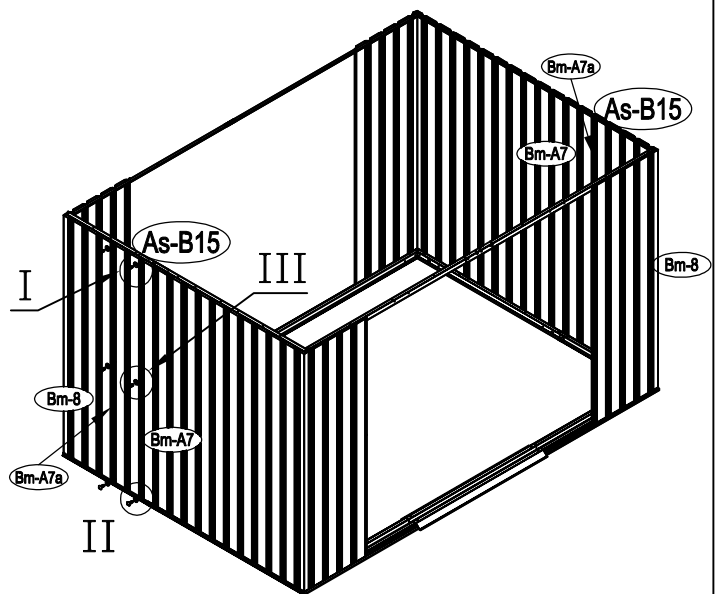
x4



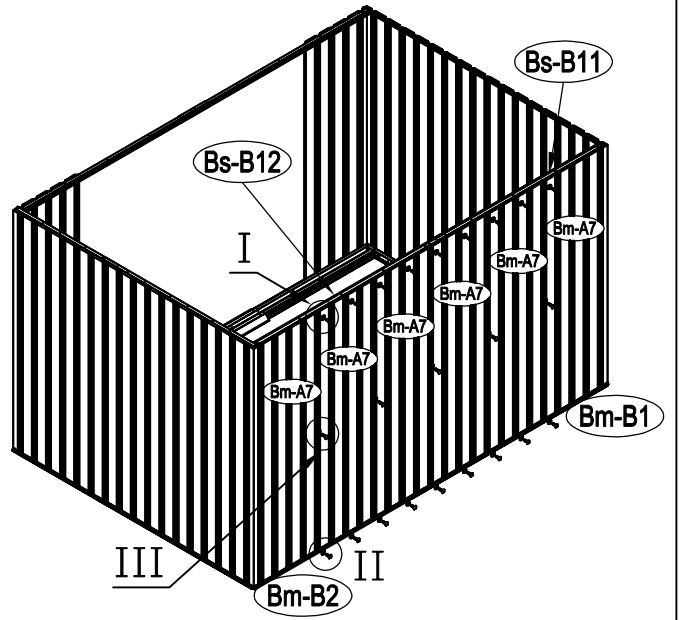
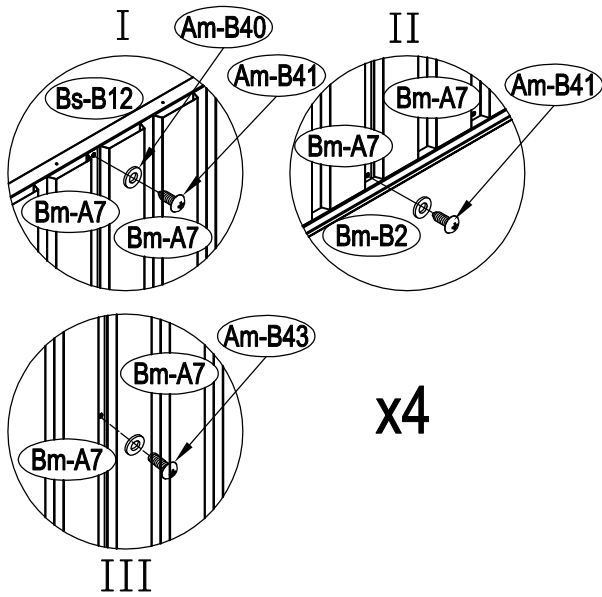
18



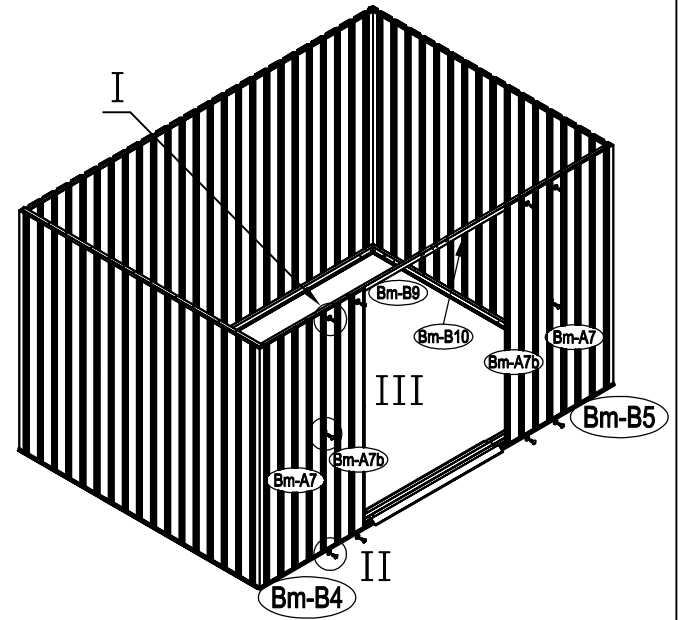
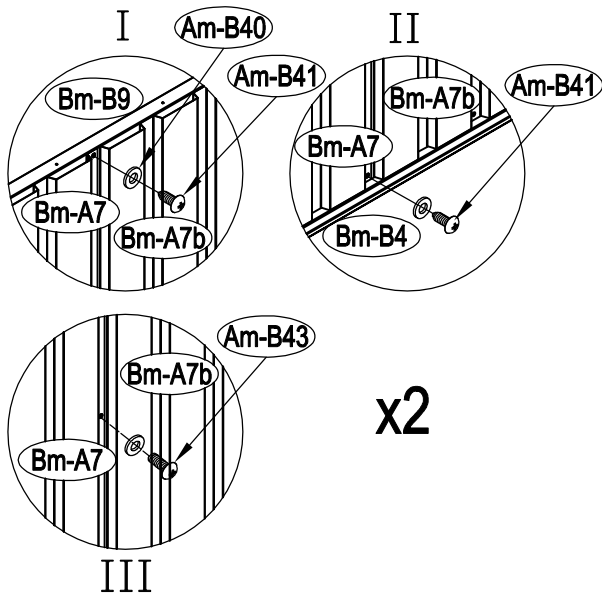
x2



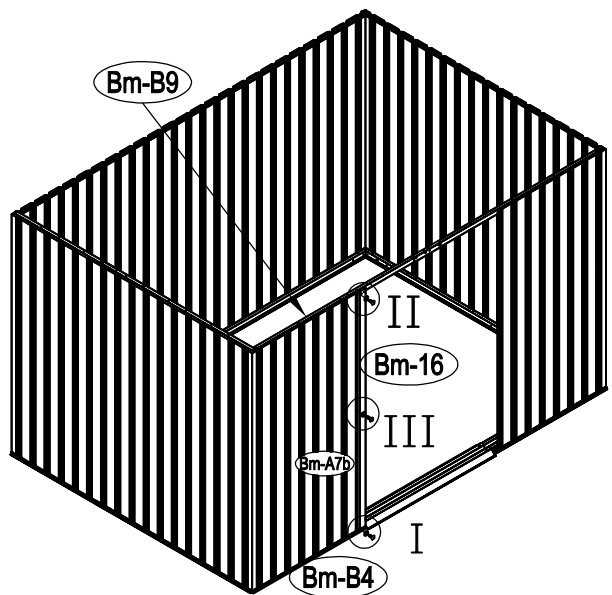
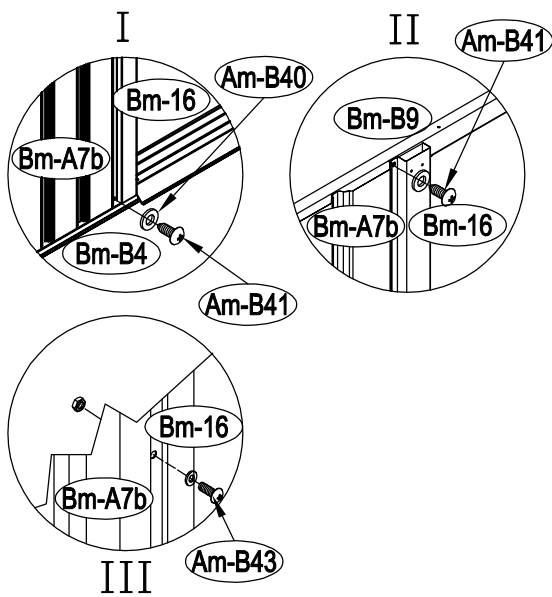
19

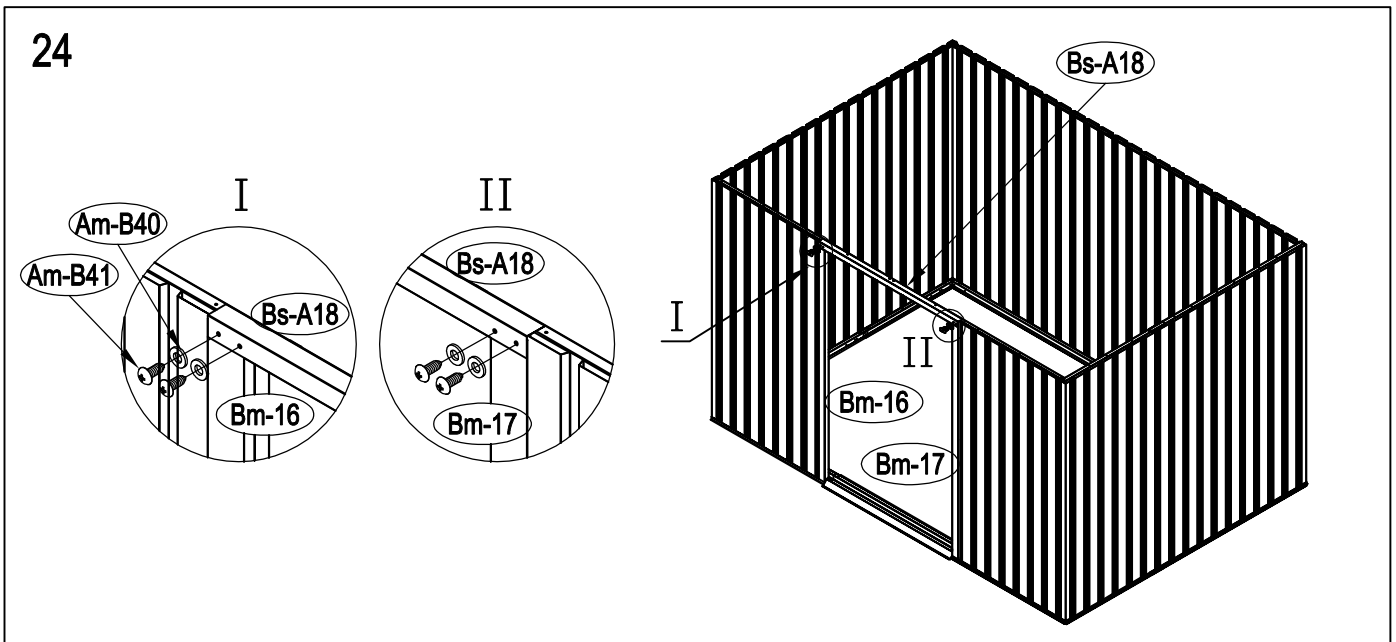
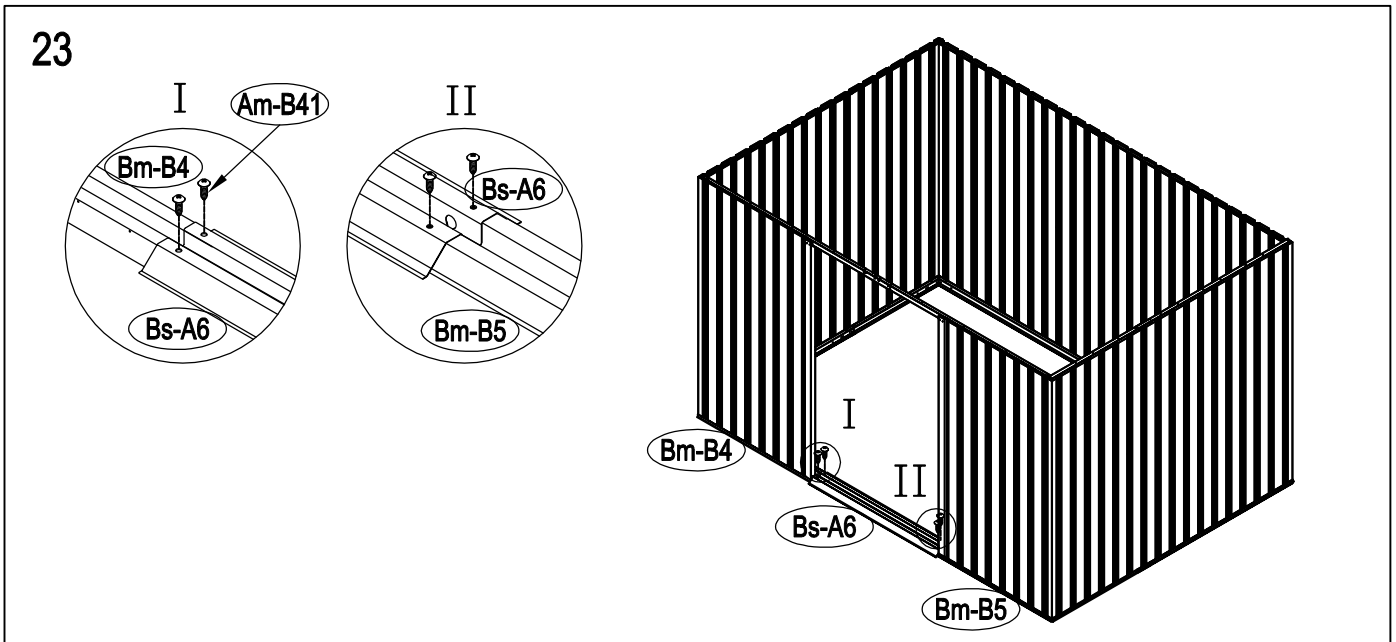
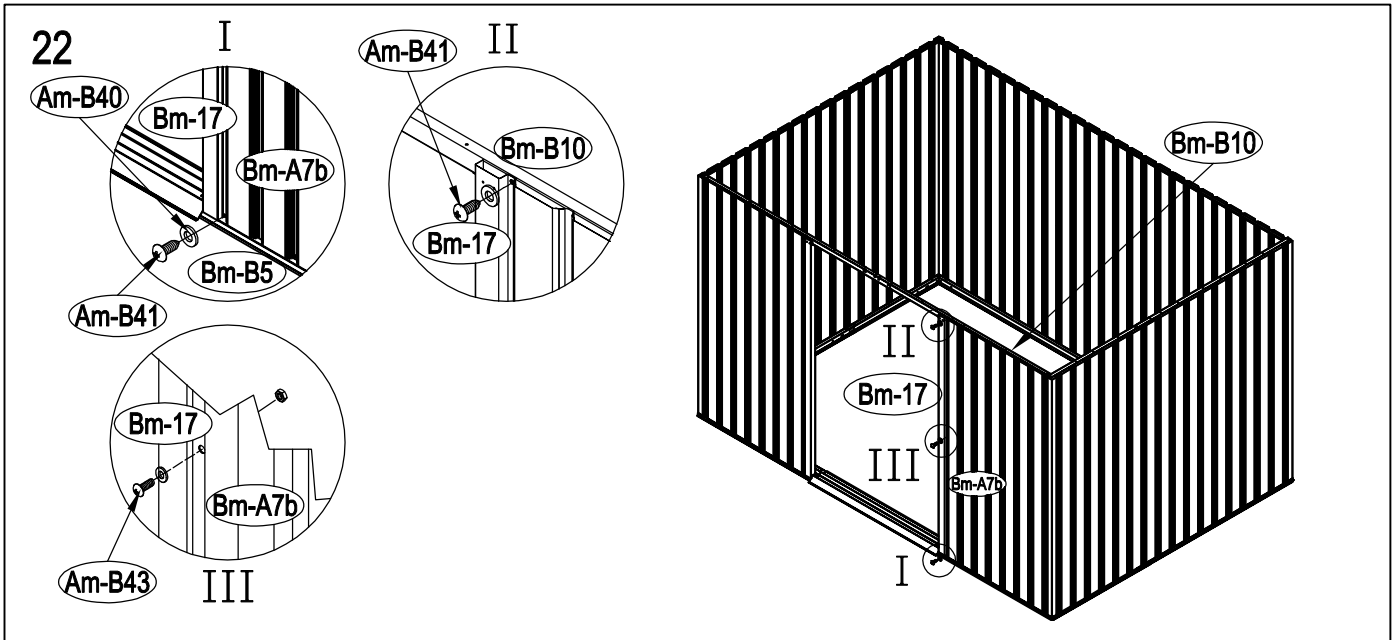


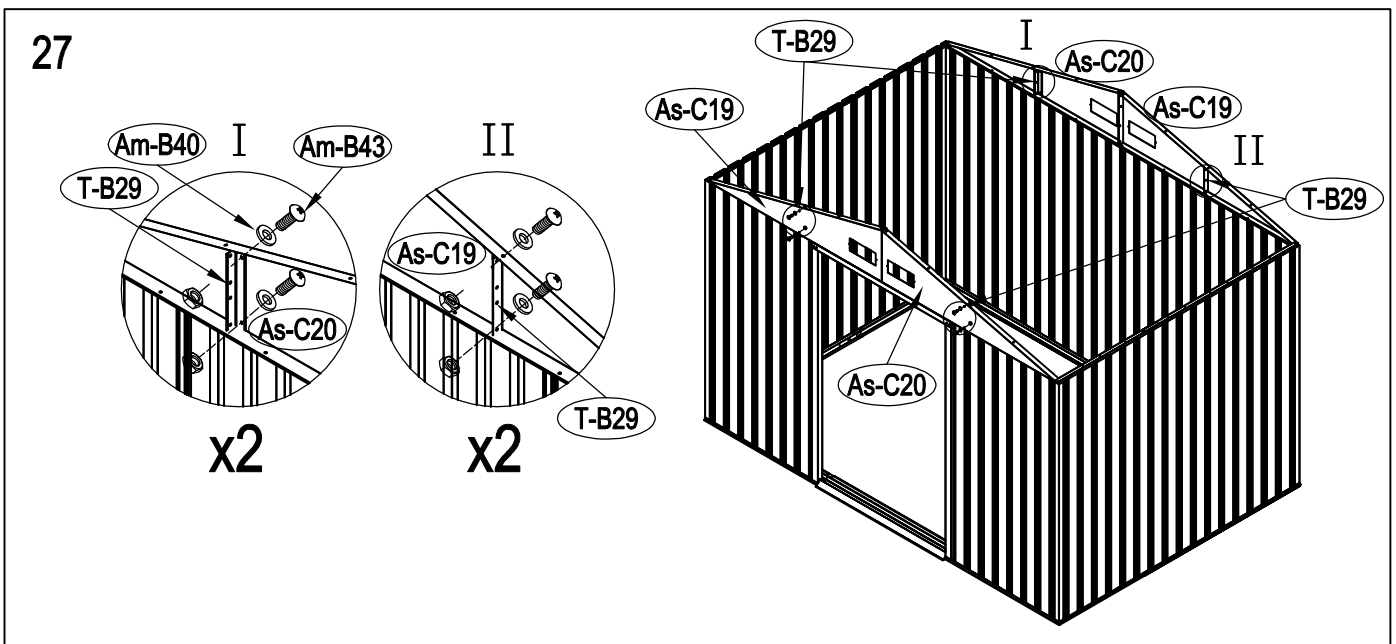
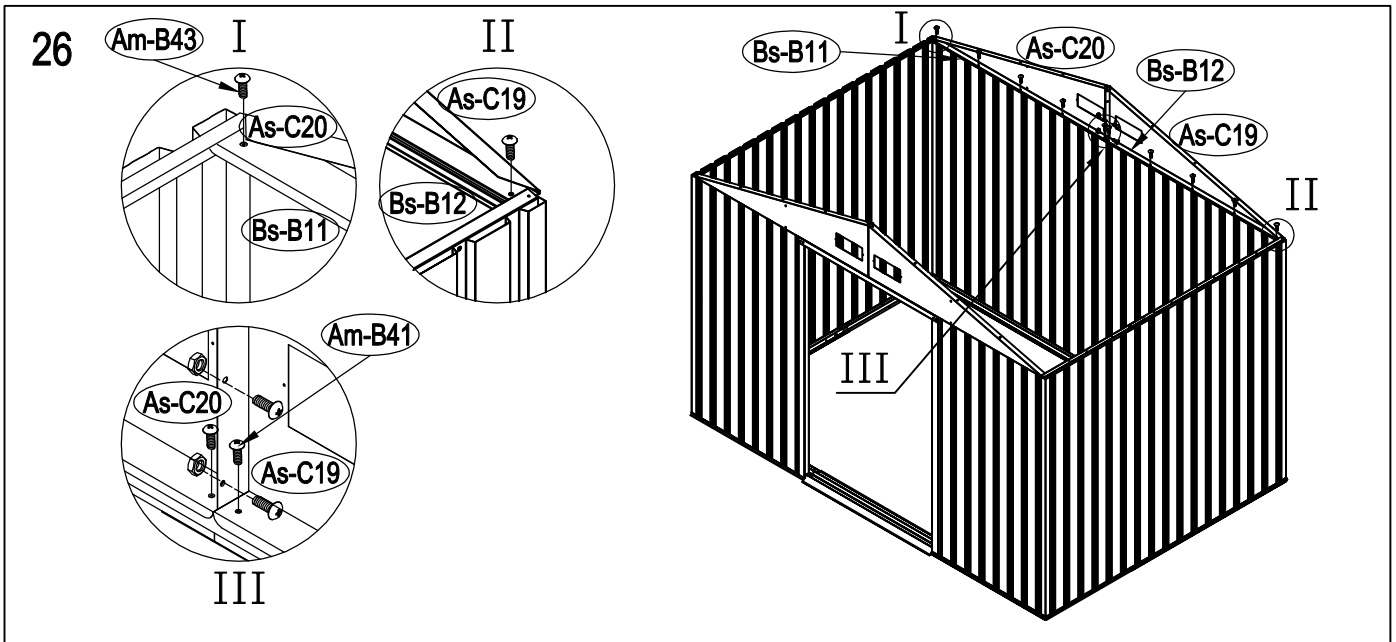
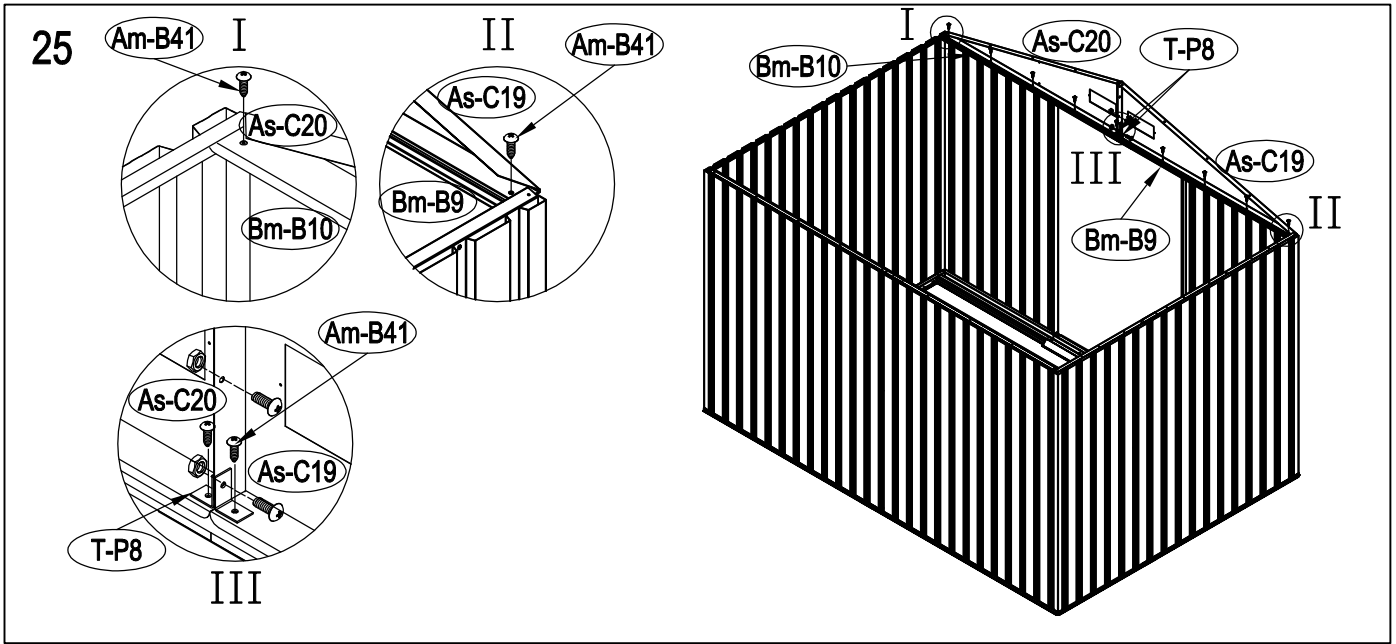
20



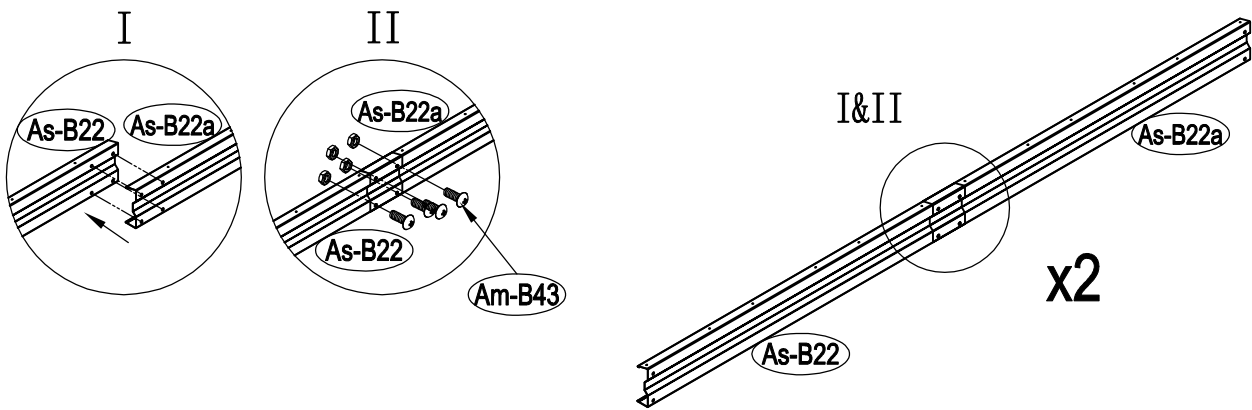
21



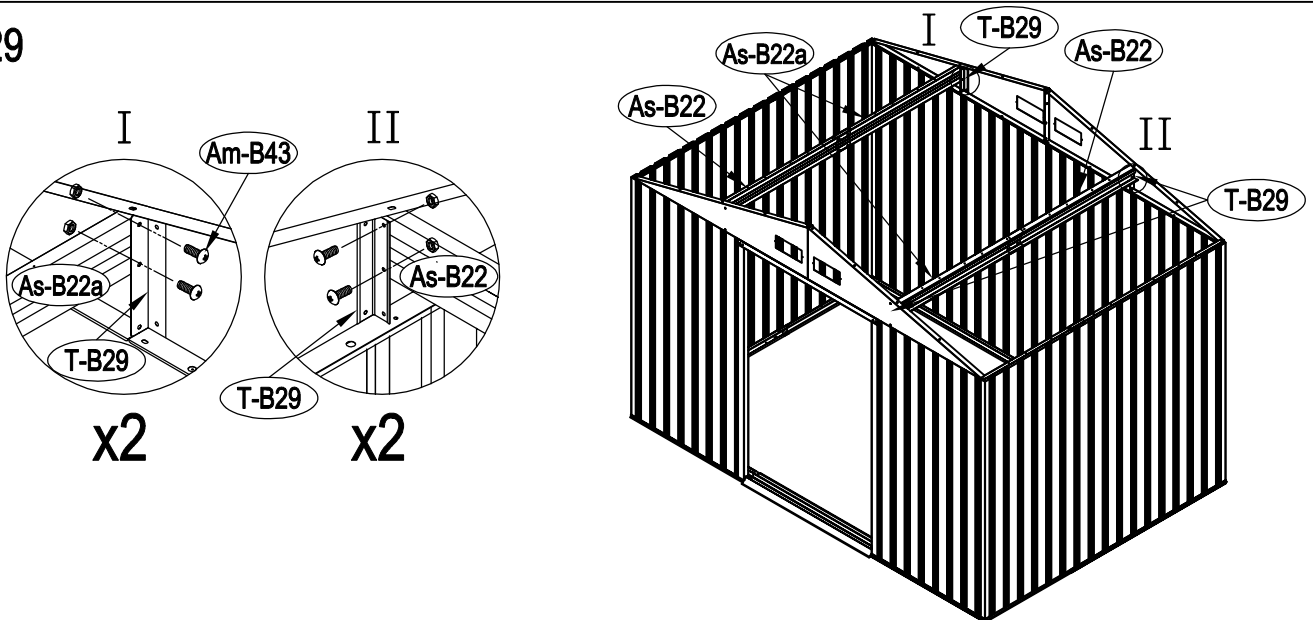




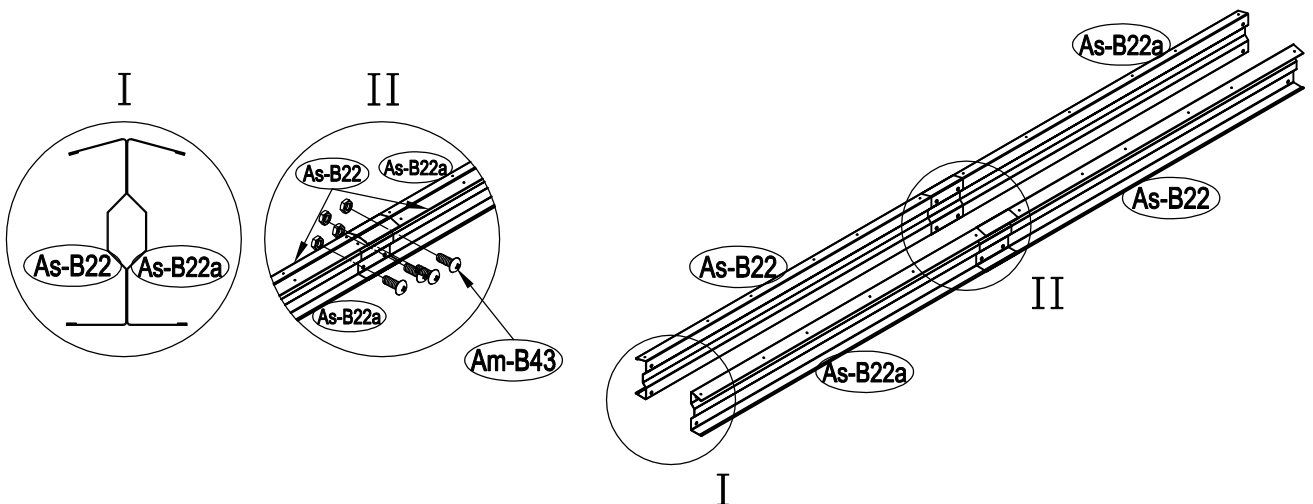
28



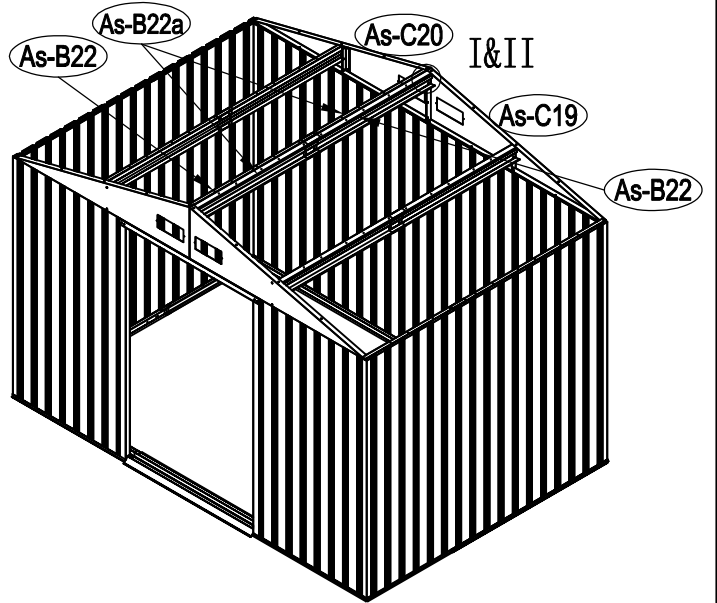
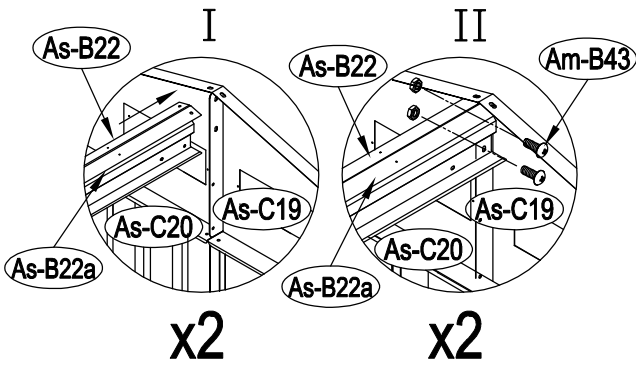
29



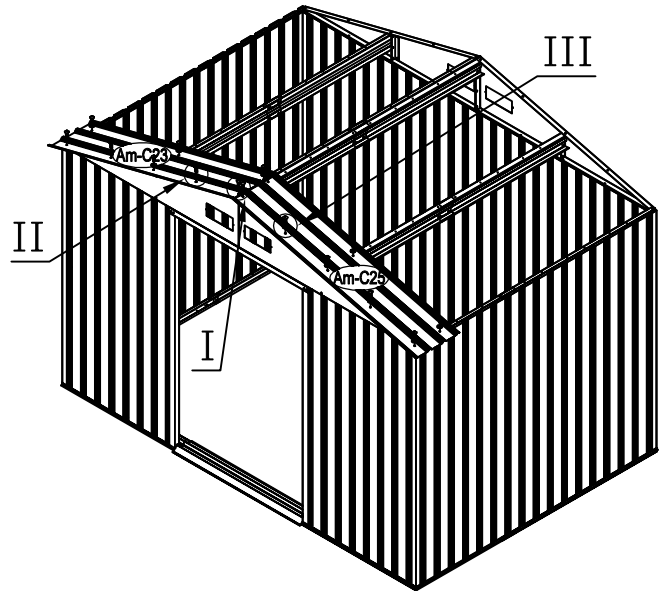
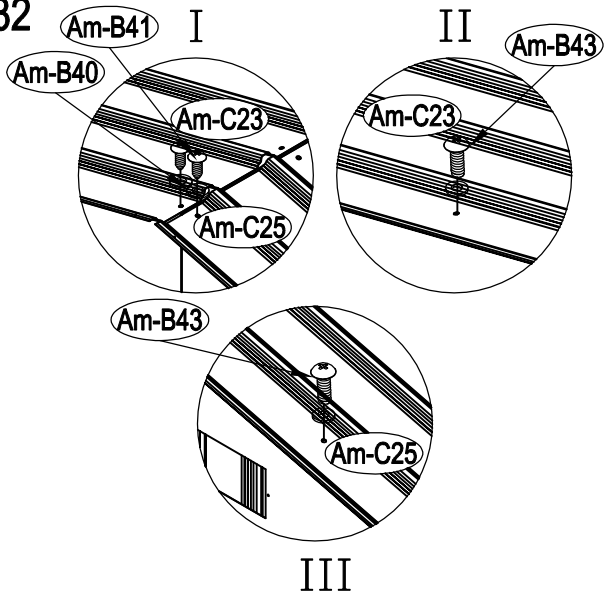
30



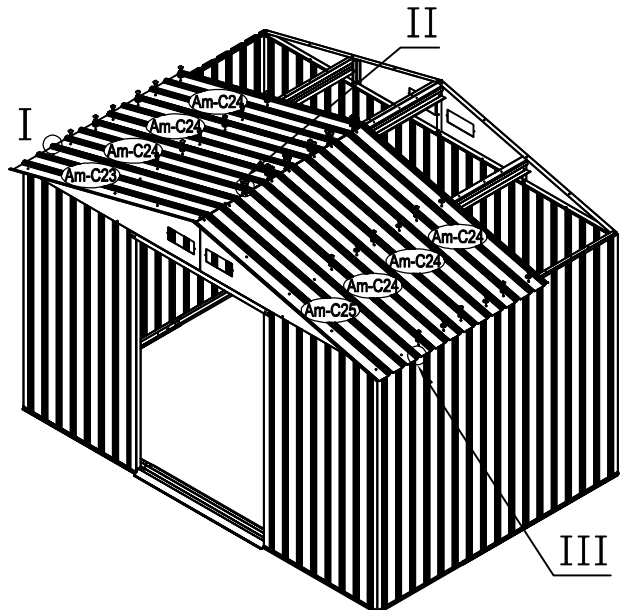
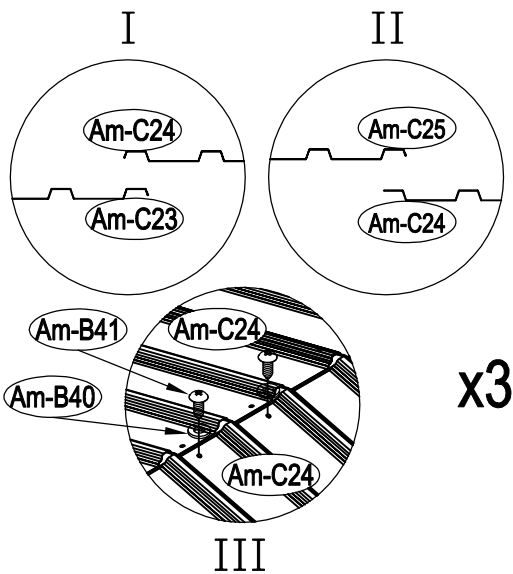
31



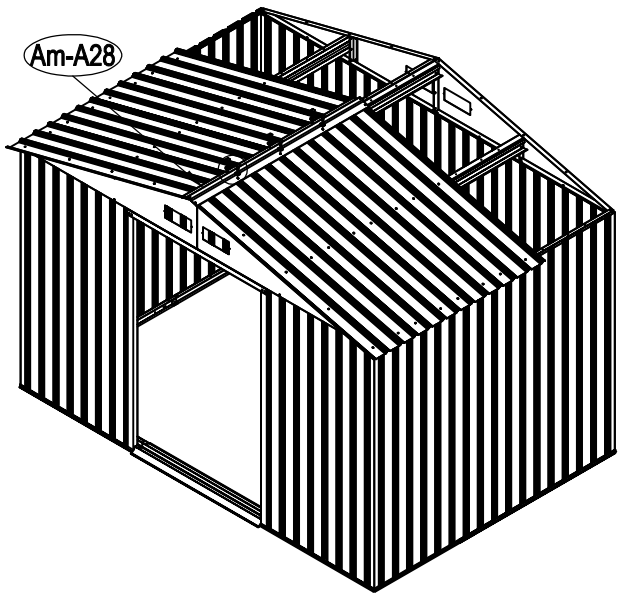
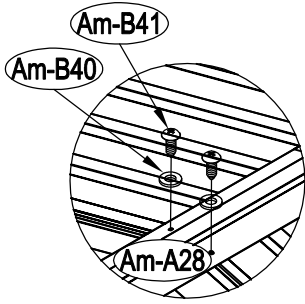
32



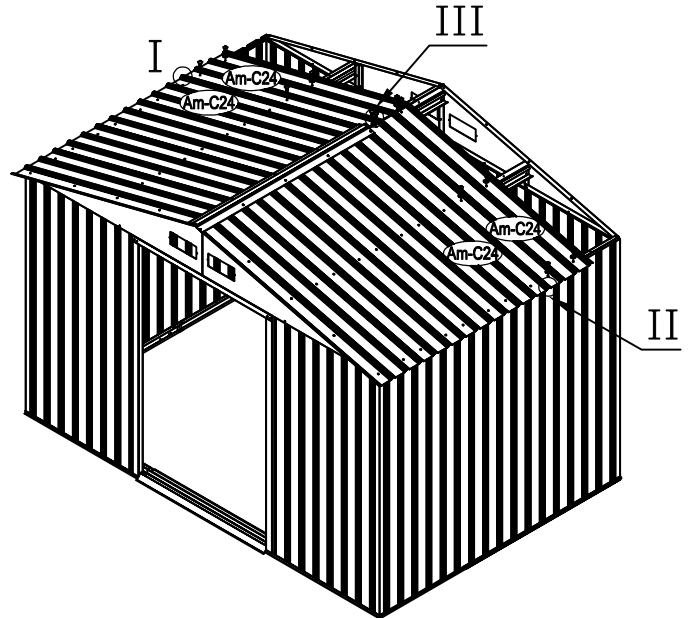
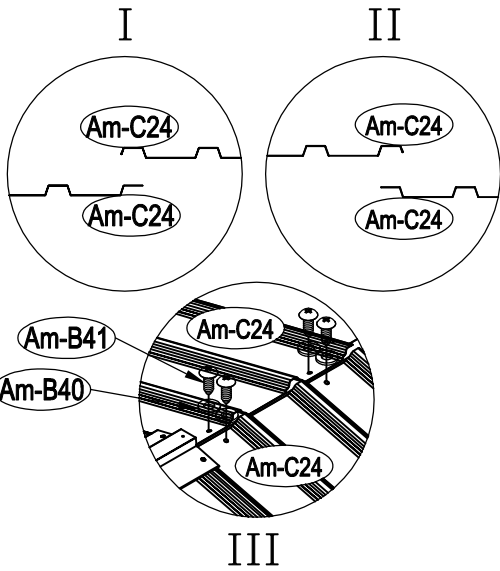
33



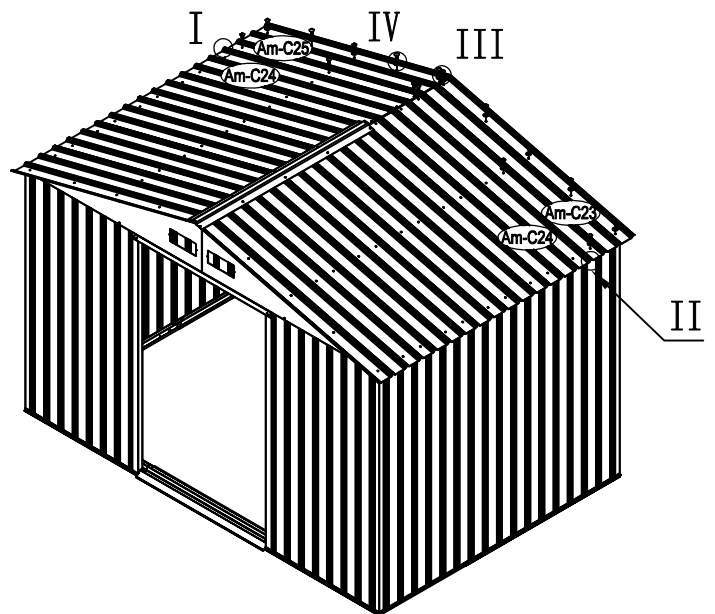
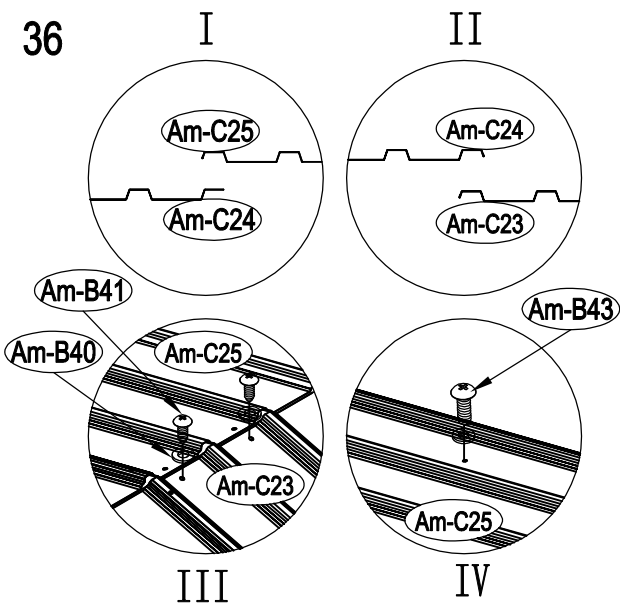
34



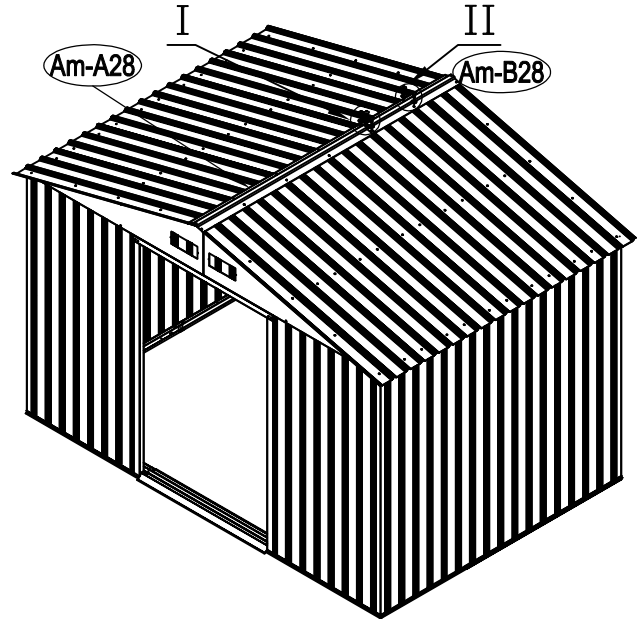
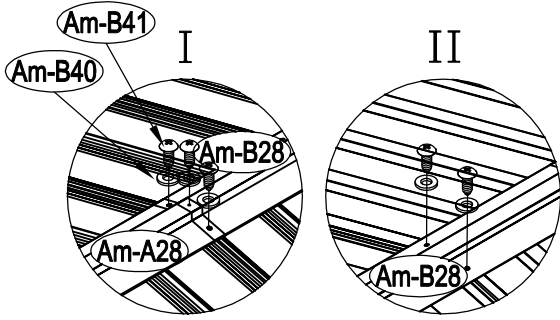
35



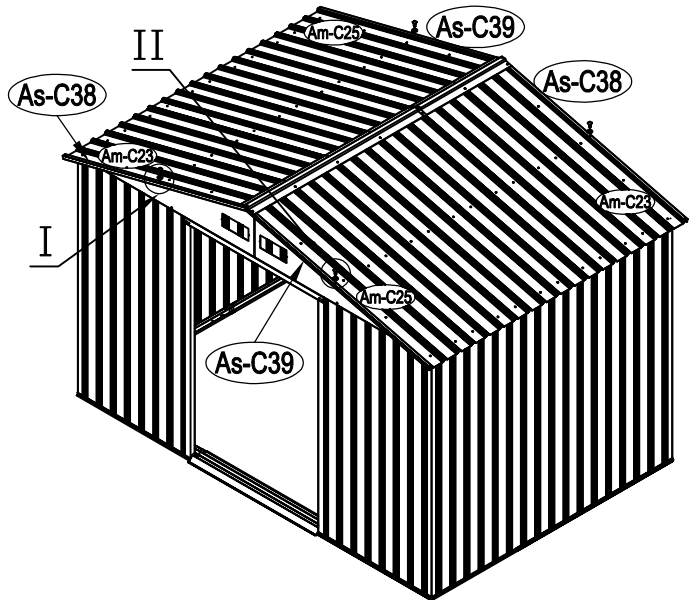
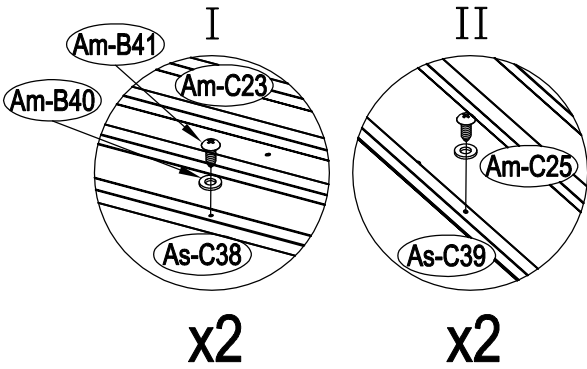
36



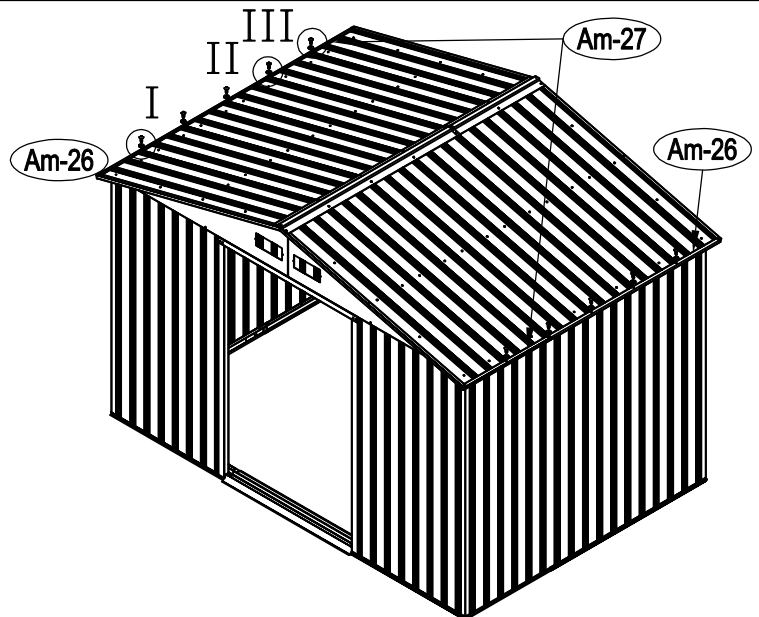
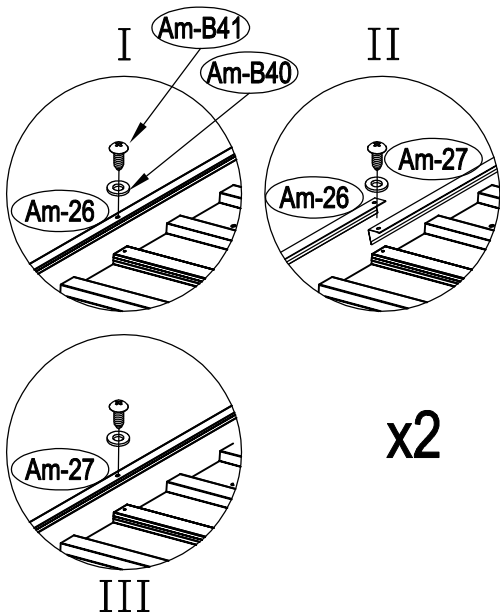
37



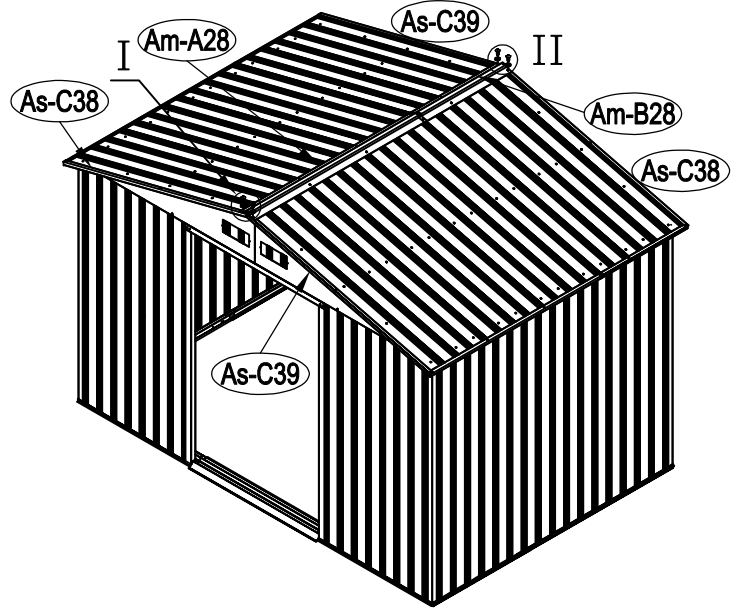
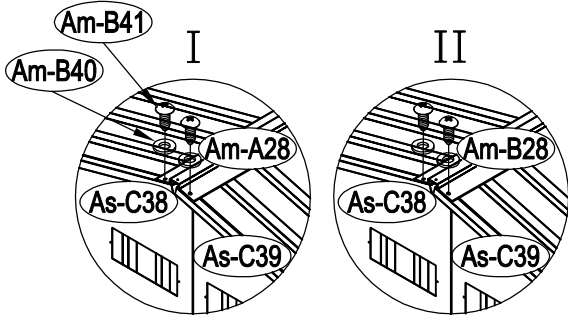
38



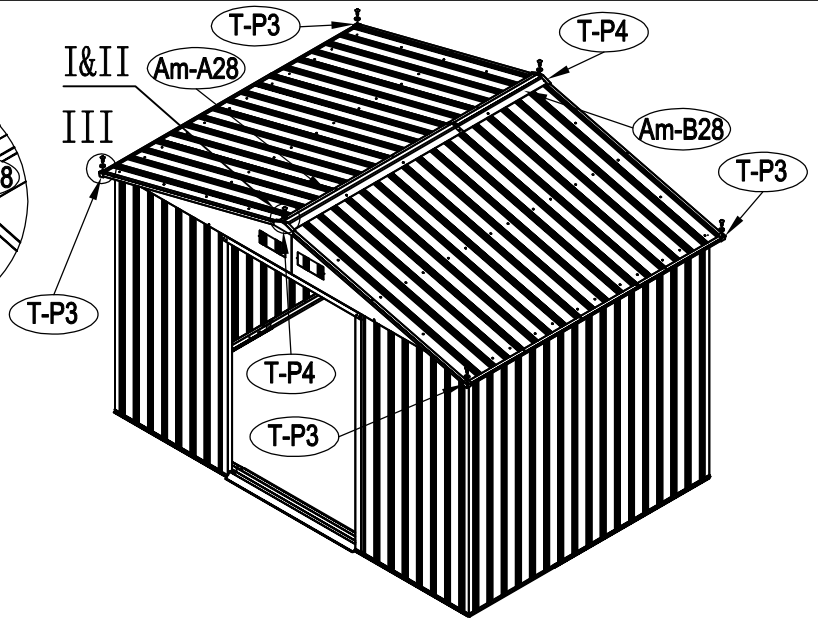
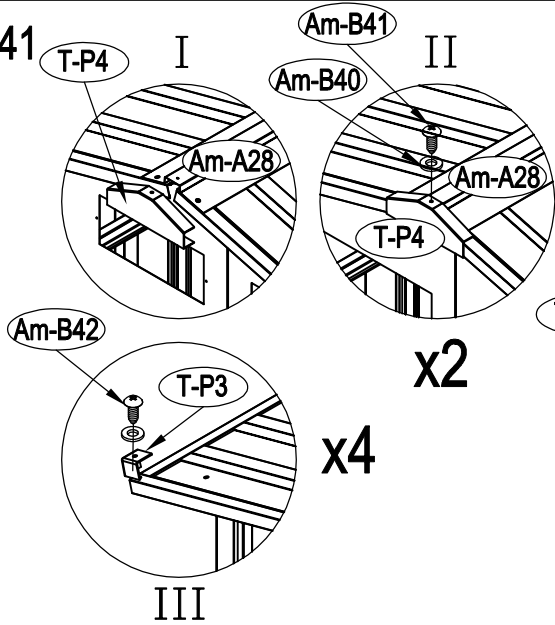
39



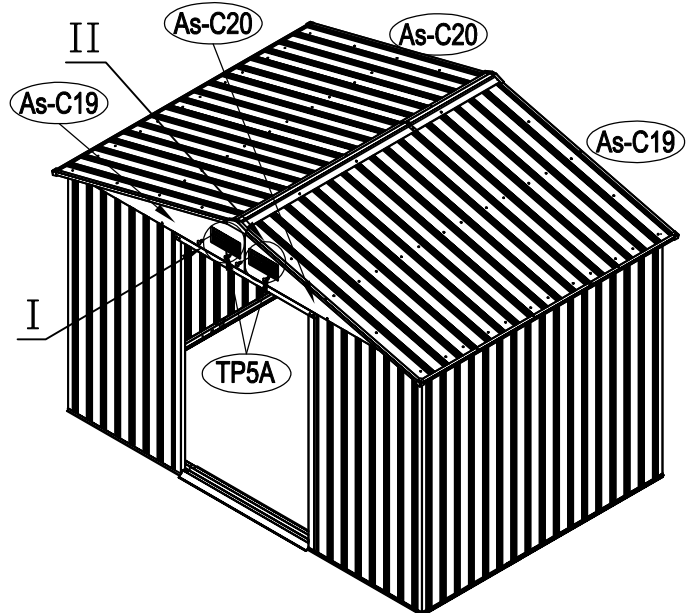
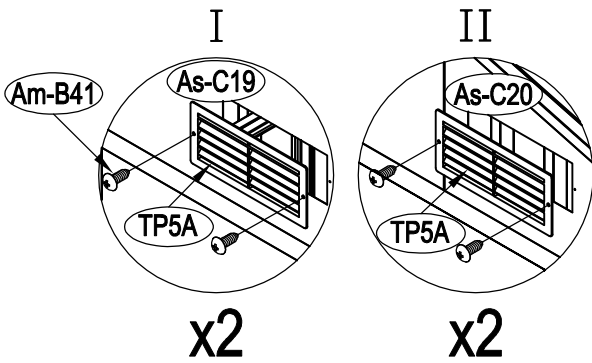
40



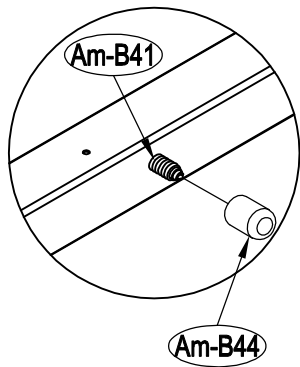
41



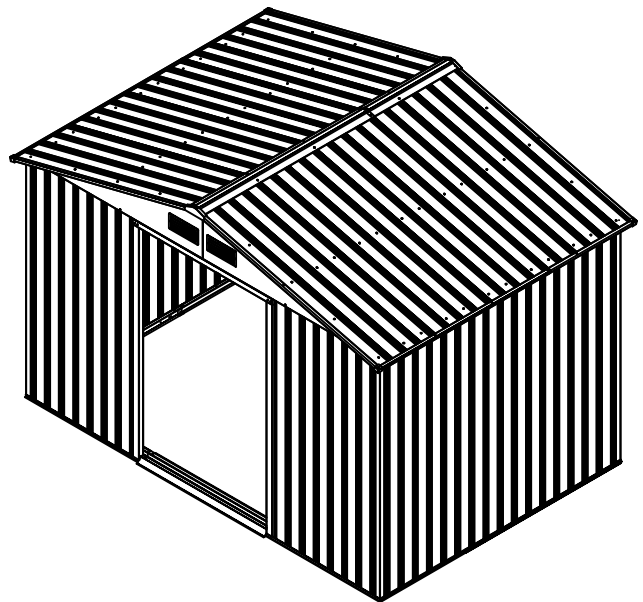
42



43



x133



DOOR

