

Features

- High-temperature limit stop allows you to preset a comfortable maximum temperature to eliminate scalding.
- Completes Devonshire design solution with KOHLER fixtures and accessories.

Material

- Premium material construction for durability and reliability.
- KOHLER finishes resist corrosion and tarnishing, exceeding industry durability standards by over two times.

Technology

- Rite-Temp® pressure-balancing technology maintains water temperature within +/-3 degrees Fahrenheit.

Required Accessories

K-304/K-P304 Series Rite-Temp® Valves

or

K-2971-KS 3/4" Pressure-balancing Valve

Optional Accessories

88526 Thin Wall Trim Kit

1030932

K-373 Bath Spout Non-diverter with NPT Connection

K-373-S Bath Spout Non-diverter with Slip-fit Connection

K-389 Bath Spout Non-diverter with NPT Connection

K-389-S Bath Spout Non-diverter with Slip-fit Connection



Codes/Standards


ASME A112.18.1/CSA B125.1

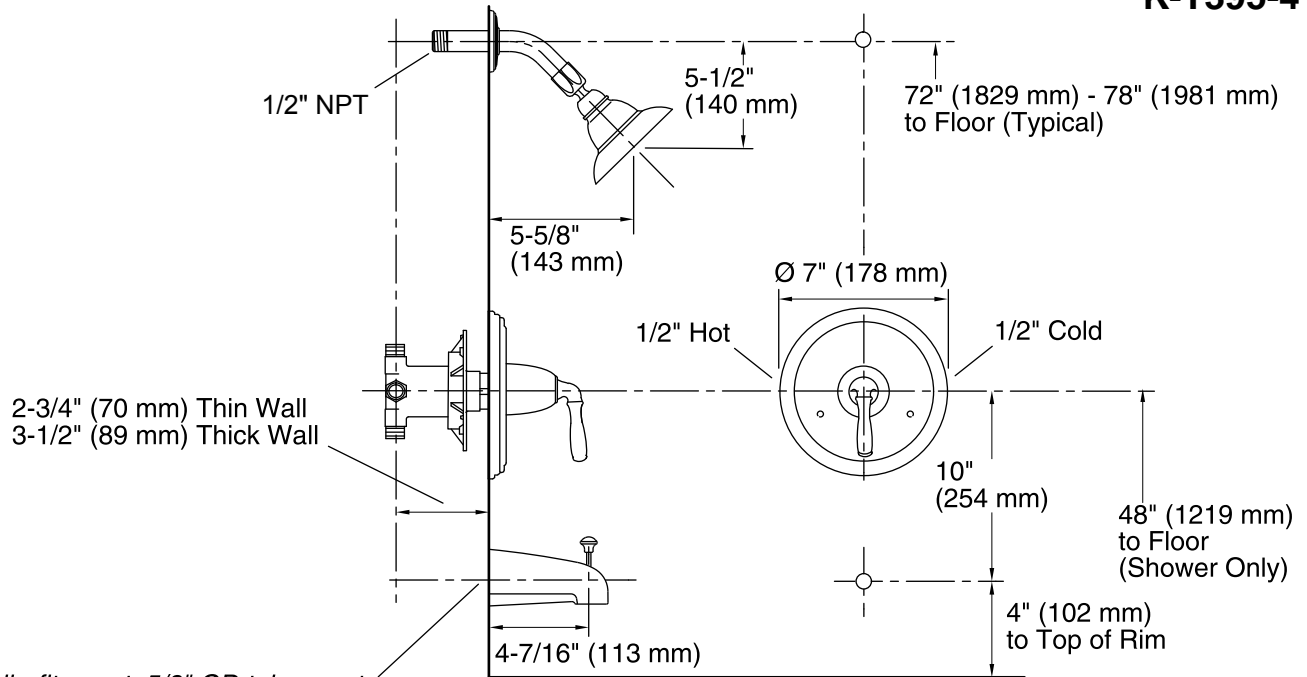
KOHLER® Faucet Lifetime Limited Warranty

See website for detailed warranty information.

Available Color/Finishes

Color tiles intended for reference only.

Color	Code	Description
	2BZ	Oil-Rubbed Bronze



For slip-fit spout, 5/8" OD tube must extend 3-1/4" (83 mm) max beyond the finished wall.
 For 1/2" NPT spout, pipe must extend 3-5/8" (92 mm) beyond the finished wall.

Complete bath and shower faucet with Rite-Temp valve and slip-fit diverter spout shown.

Technical Information

All product dimensions are nominal.

Notes

- Install this product according to the installation guide.
- Install the Rite-Temp valve according to the valve installation guide.
- NOTICE: Risk of product damage. Long screws, for installing trim, can damage the K-2971-KS valve. Consult the trim installation guide to verify if the thin wall installation kit (88526) is needed.
- Cap shower outlet if deck-mounted spout, diverter, or handshower is connected to the spout outlet.
- Install straight pipe or tube drop of 7" (178 mm) to 18" (457 mm) with single elbow between valve and wall-mount spout.
- Avoid cross-flow conditions. Do not install shut-off device on either valve outlet.