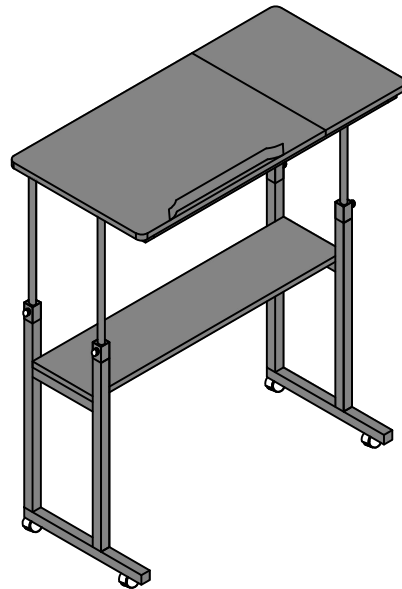


ASSEMBLY INSTRUCTION FOR DX-C0566 P1

Tribesigns
Painting table

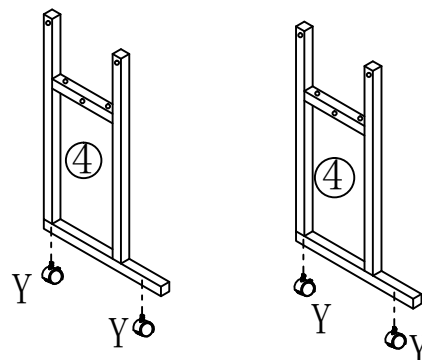


Notes: Don't tighten screws completely at first, just in case parts were assembled wrong and need disassemble. Tighten screws at last when all parts are put together

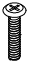
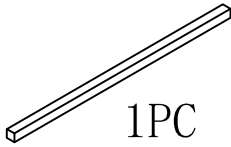
1 		2 		3 		4 2PCS		5 2PCS	
6 		7 		8 					
E M6X25 3PCS	G M6X35 10PCS	H M6X40 6PCS	V M6 2PCS	P M3.5X14 4PCS	Q M5X16 2PCS	X 1PCS	Y 1SET	Z 1PCS	W 4PCS

Y	1SET
4	 2PCS

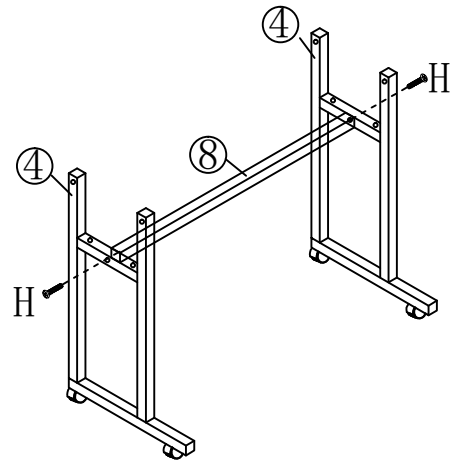
Step1


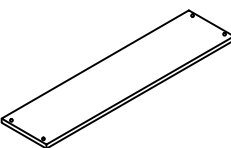


ASSEMBLY INSTRUCTION FOR DX-C0566 P2

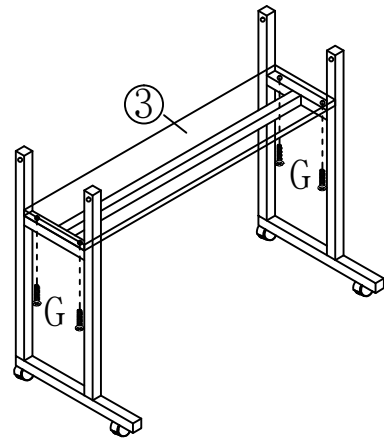
H		2PCS
8		1PC


Step2



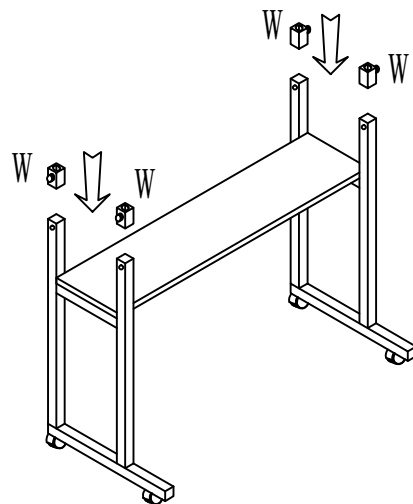
G		4PCS
3		1PC

Step3

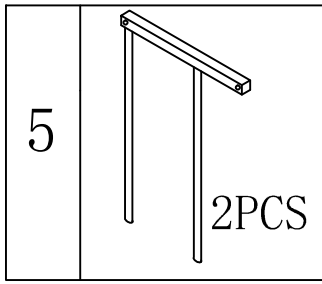


W		4PCS
---	---	------

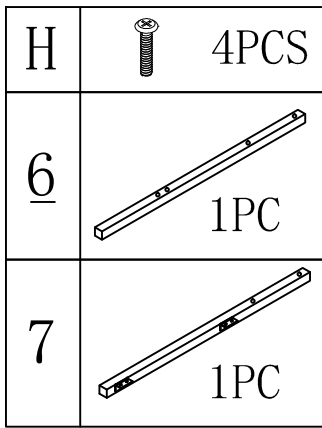
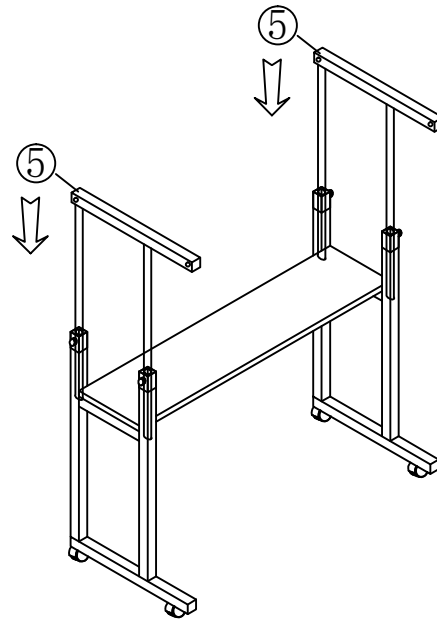
Step4



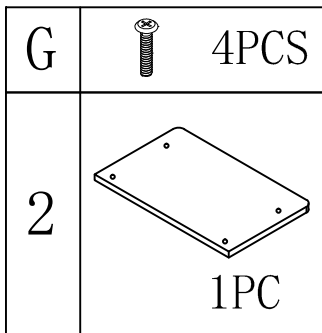
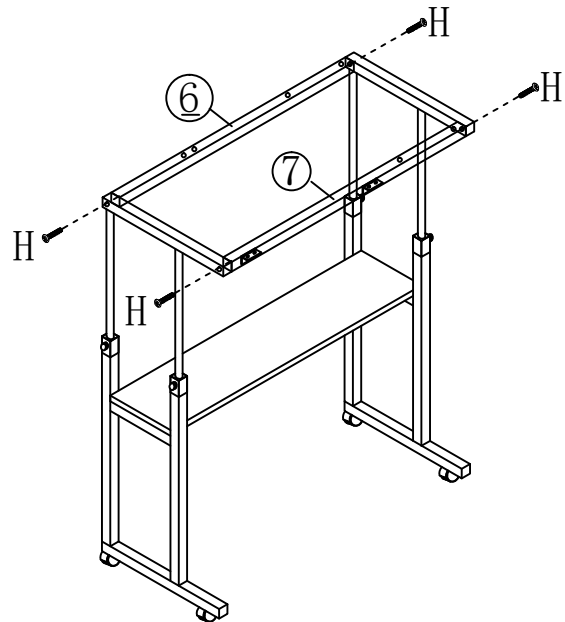
ASSEMBLY INSTRUCTION FOR DX-C0566 P3



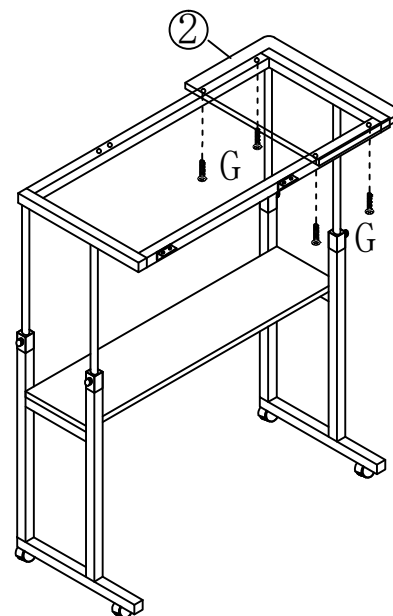
Step5



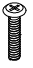

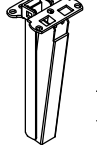
Step6



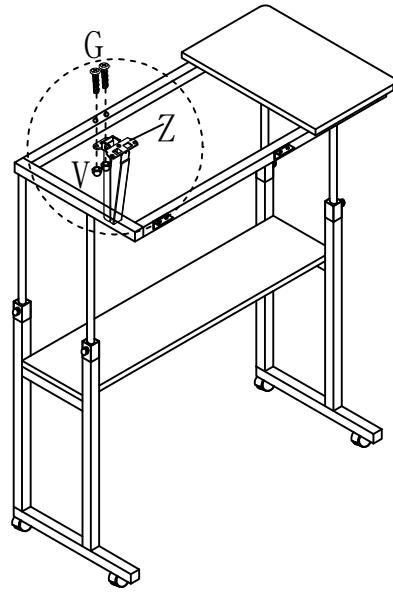
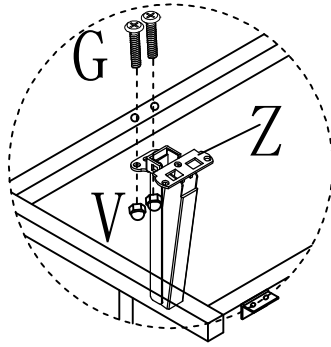
Step7


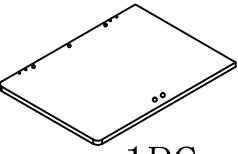


ASSEMBLY INSTRUCTION FOR DX-C0566 P4

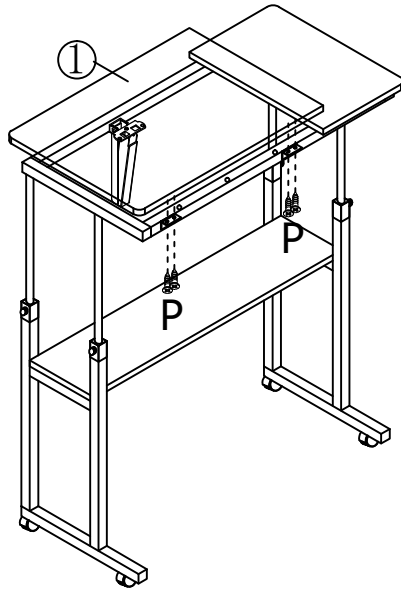
G		2PCS
V		2PCS
Z		1PC


Step8



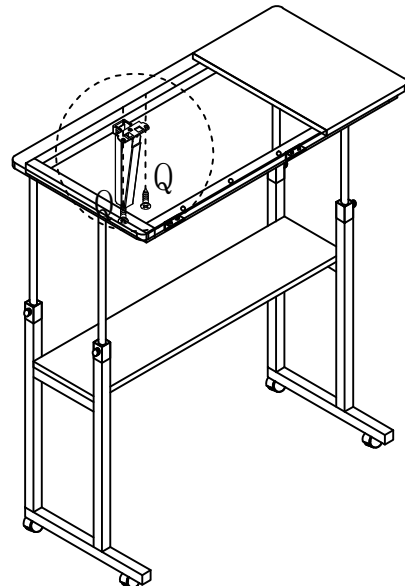
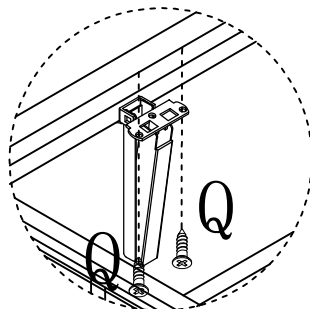
P		4PCS
1		1PC

Step9


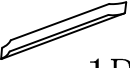


Q		2PCS
---	---	------

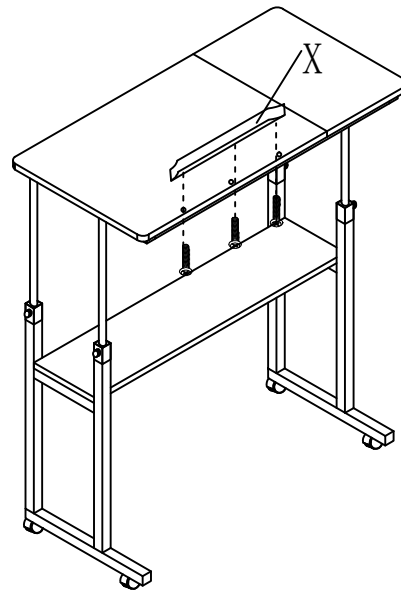
Step10



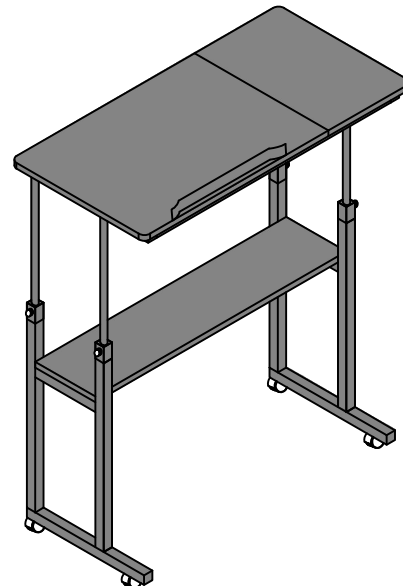
ASSEMBLY INSTRUCTION FOR DX-C0566 P5

E		3PCS
X		1PC

Step11



Step12



Thanks for choosing Tribesigns File cabinets , your satisfaction is our priority.
If you have any installation problems or any damages caused by shipping, feel free to contact us at “ support@tribesigns.com“, our friendly customer service will solve problem for you
www.tribesigns.com