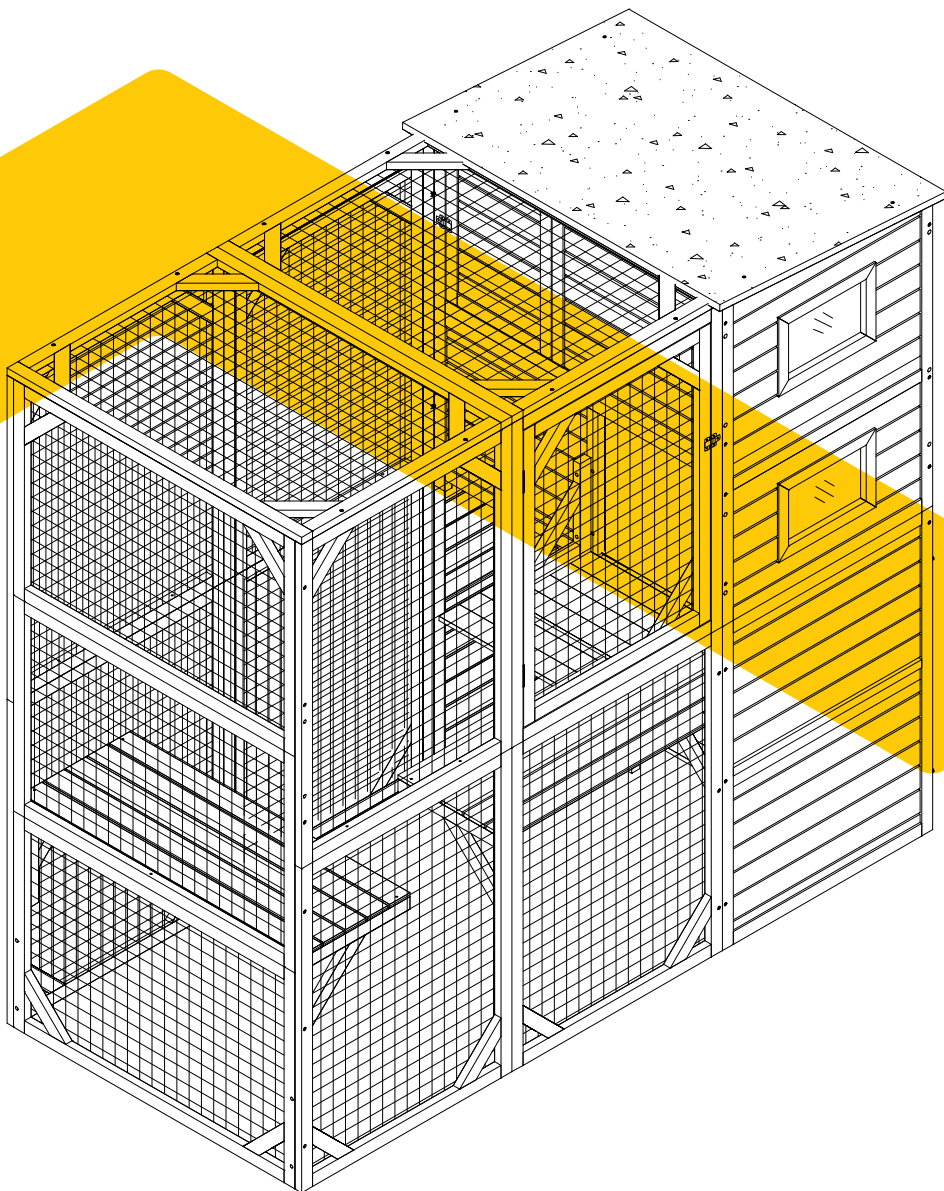


INSTRUCTION MANUAL

AIR 54





NOTICE

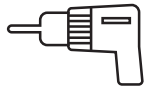
Please retain these instructions for future

- Firmly secure all bolts, screws and knobs before use.
- Reconfirm that all bolts, screws, and knobs are secure every 90 days.
- Fasten screws loosely during initial assembly. Do not fully tighten screws until the item is completely assembled.
- Do not use or store this item in the proximity of open flame or flammable/combustible chemicals.
- Be aware that some parts are heavy and have sharp edges.
- Be aware that moving parts can injure, crush and cut.
- If any parts are missing, broken, damaged, or worn, stop using this product until repairs are made and/or factory replacement parts are installed.
- Do not use this item in a way inconsistent with the manufacturer's instructions as this could void the product warranty.

TOOLS REQUIRED



PHILLIPS
SCREWDRIVER



DRILL
(RECOMMENDED)



2PERSON
ASSEMBLY



APPROXIMATELY
60MIN. ASSEMBLY

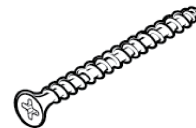
HARDWARE

M6.0x65 mm BOLT
12PCS+1 spare



P1

M4.0x60 mm SCREW
26PCS+1 spare



P2

M4.0x45 mm SCREW
34PCS+1 spare



P3

M3.5x35 mm SCREW
12PCS+1 spare



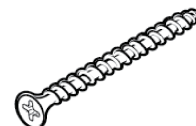
P4

M3.5x30 mm SCREW
12PCS+1 spare

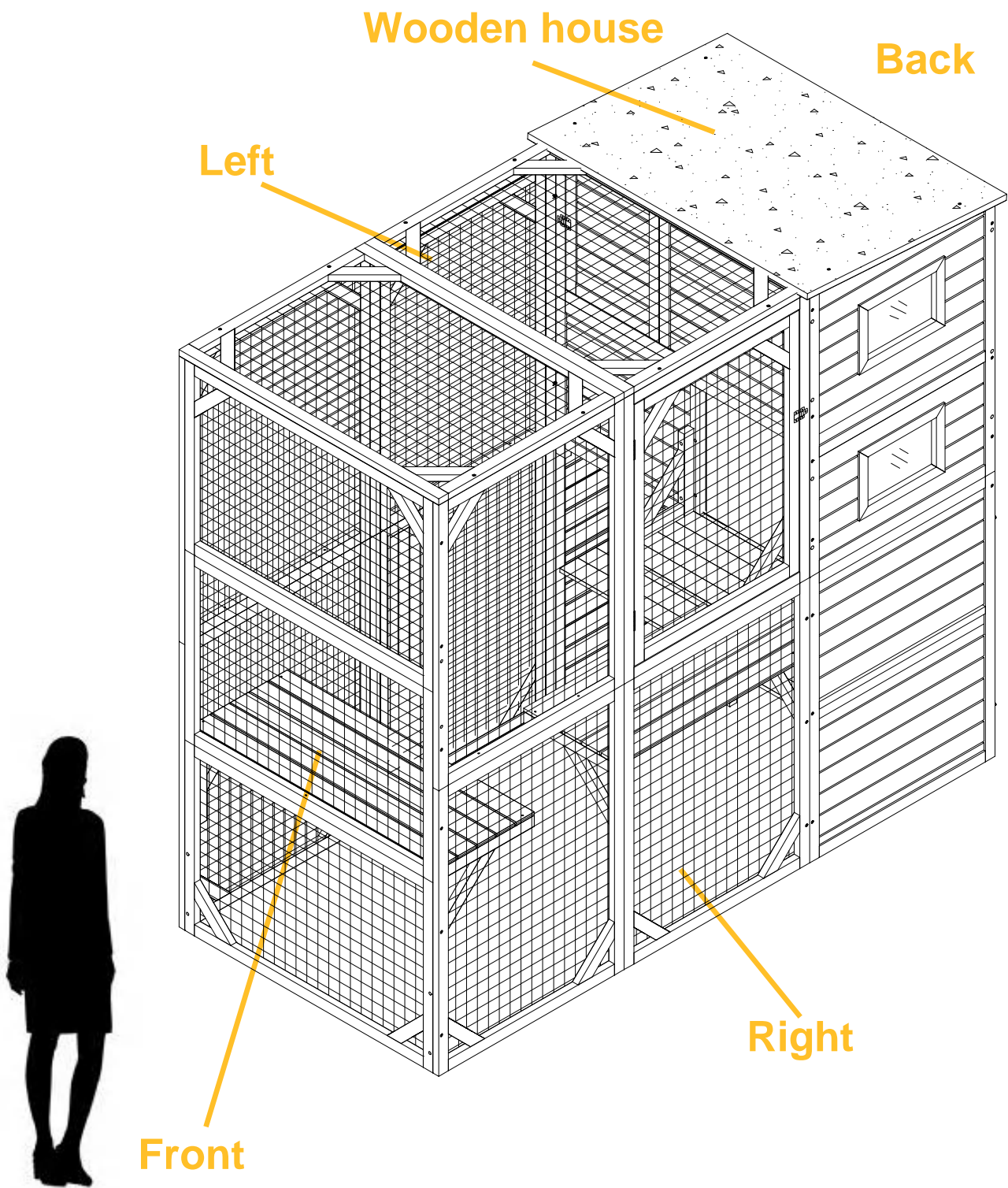


P5

M3.0x25 mm SCREW
2PCS+1 spare



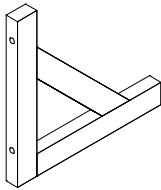
P6



PARTS

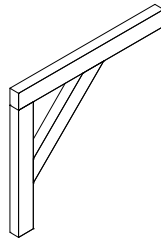
CARTON 1/3

Supporting bars of small platform
2PCS



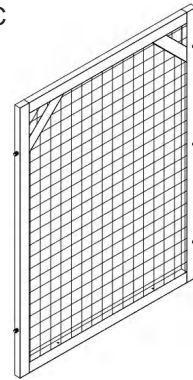
K

Supporting bars
4PCS



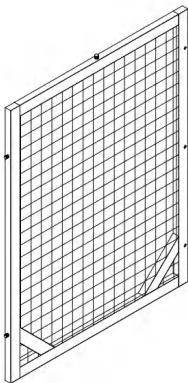
L

Upper wire panel- left
1PC



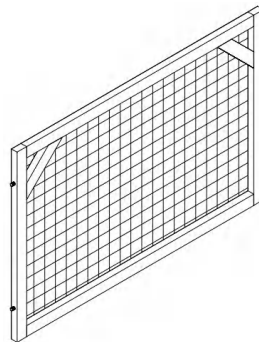
Q

Lower wire panel- left
1PC



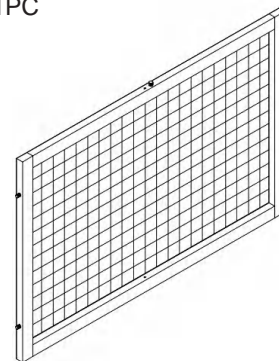
R

Front wire panel- upper
1PC



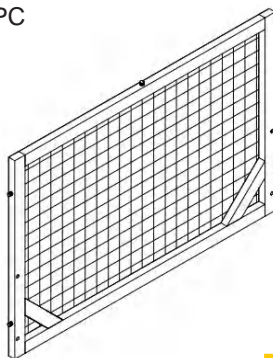
S

Front wire panel- middle
1PC



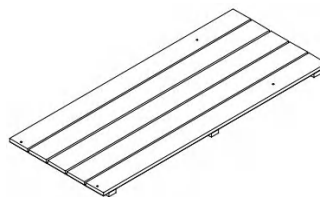
T

Front wire panel- down
1PC



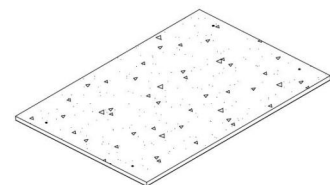
U

Shelf panel
1PC



V

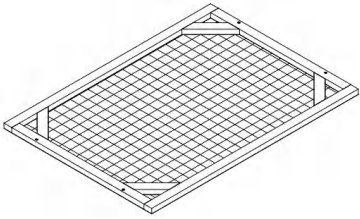
Roof of wooden house
1PC



X

PARTS

Wire Roof
2PCS



Y

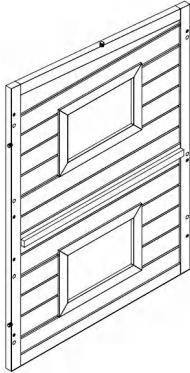
Hardware bag



PARTS

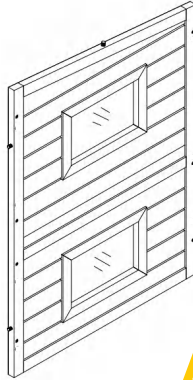
CARTON 2/3

Wooden house panel- upper & left
1PC



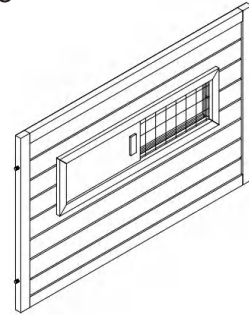
A1

Wooden house panel- upper & right
1PC



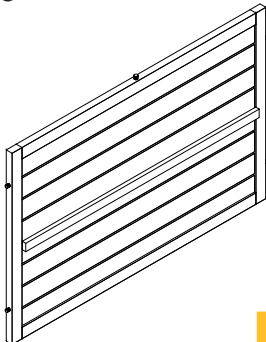
A2

Wooden house panel- back & upper
1PC



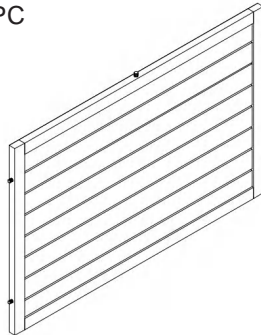
C

Wooden house panel- back & middle
1PC



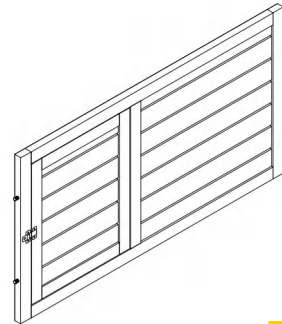
D

Wooden house panel- back & down
1PC



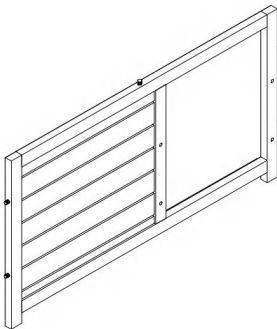
E

Divider - upper
1PC



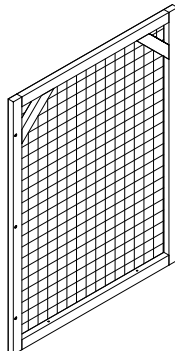
F

Divider- middle
1PC



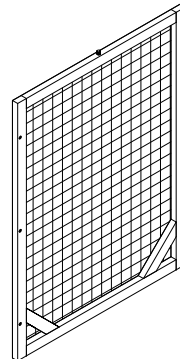
G

Upper wire panel- right
1PC



Q1

Lower wire panel- right
1PC

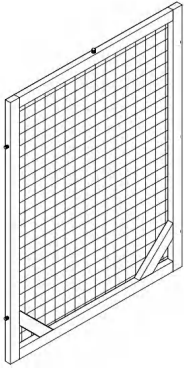


R1

PARTS

Wire panel

1PC

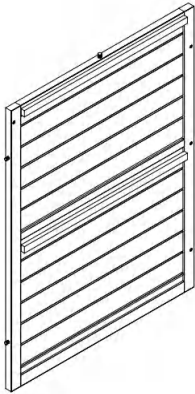


P

PARTS

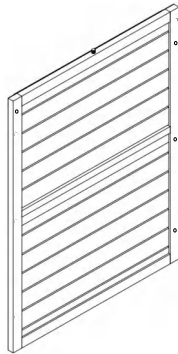
CARTON 3/3

Wooden house panel- down left
1PC



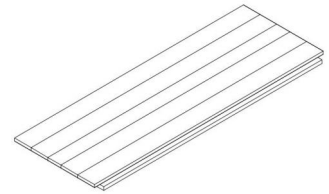
B

Wooden house panel- down right
1PC



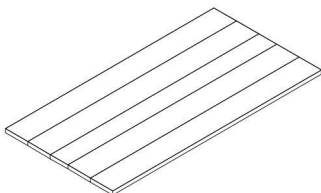
B1

Layer
3PCS



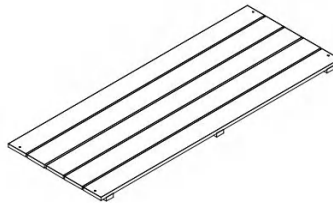
H1

Layer
1PC



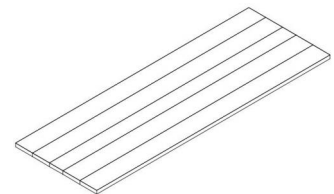
H2

Shelf panel- down area
1PC



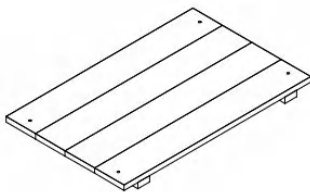
W

Layer
2PCS



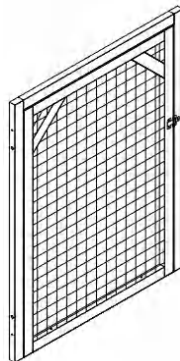
I

Platform layer
1PC



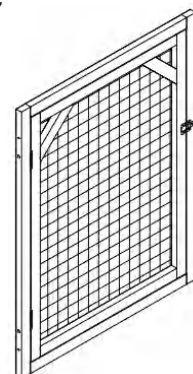
J

Wire panel
1PC



M

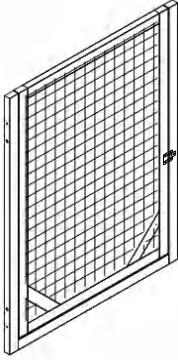
Wire panel
1PC



N

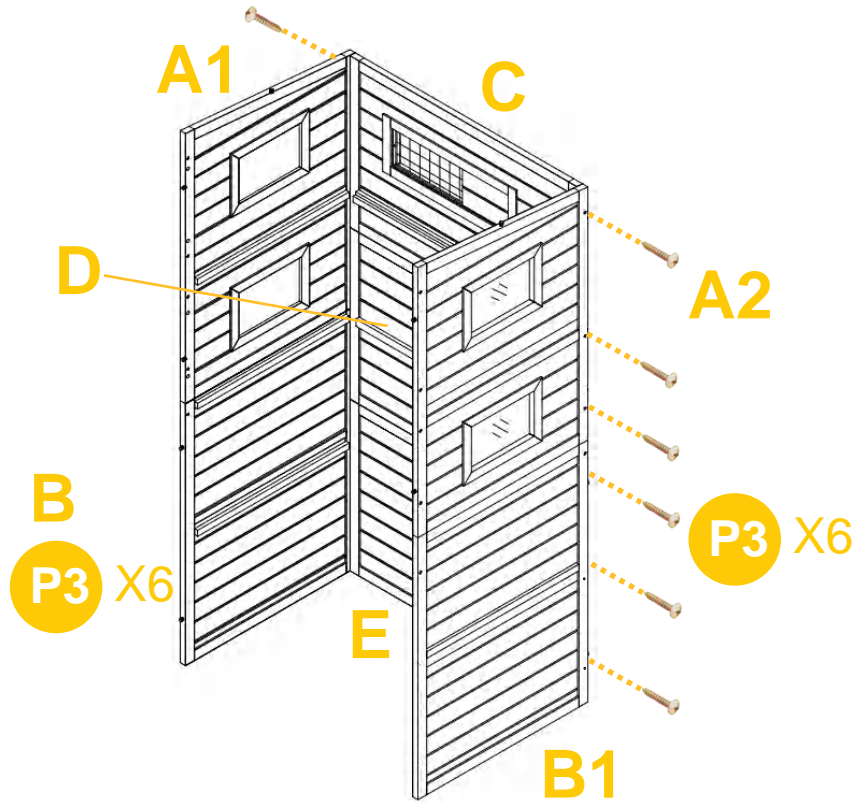
PARTS

Wire panel
1PC

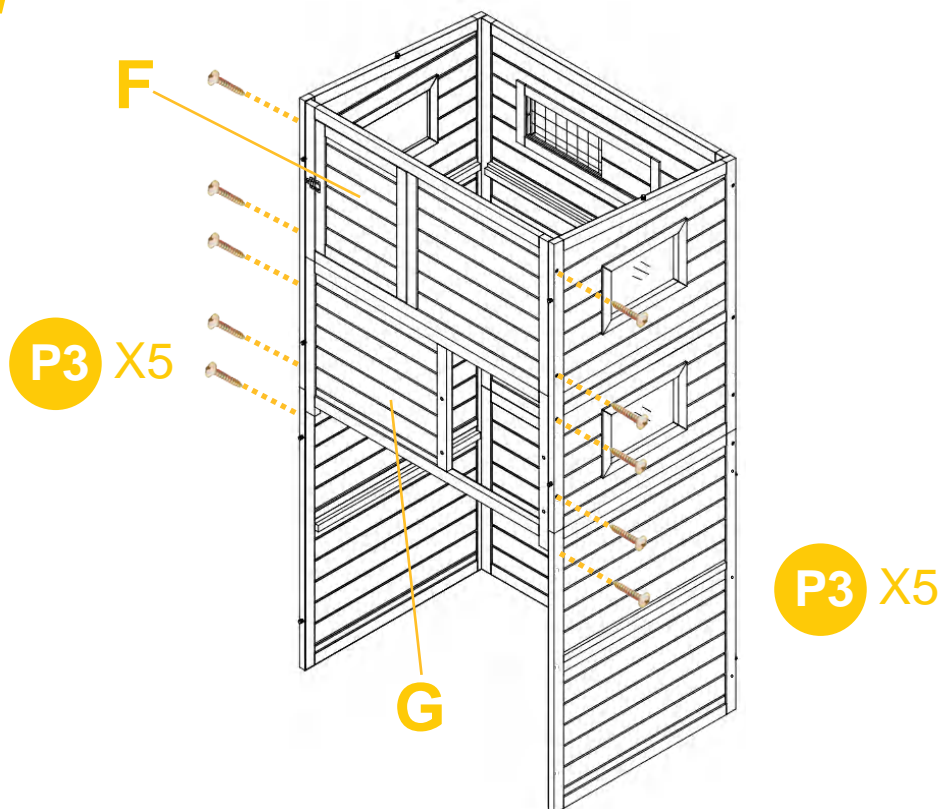


PRODUCT ASSEMBLY

01 Connect the wooden house panel, screw the left & right panel A1, A2, B, B1 to the back panel C, D, E by 12XP3.

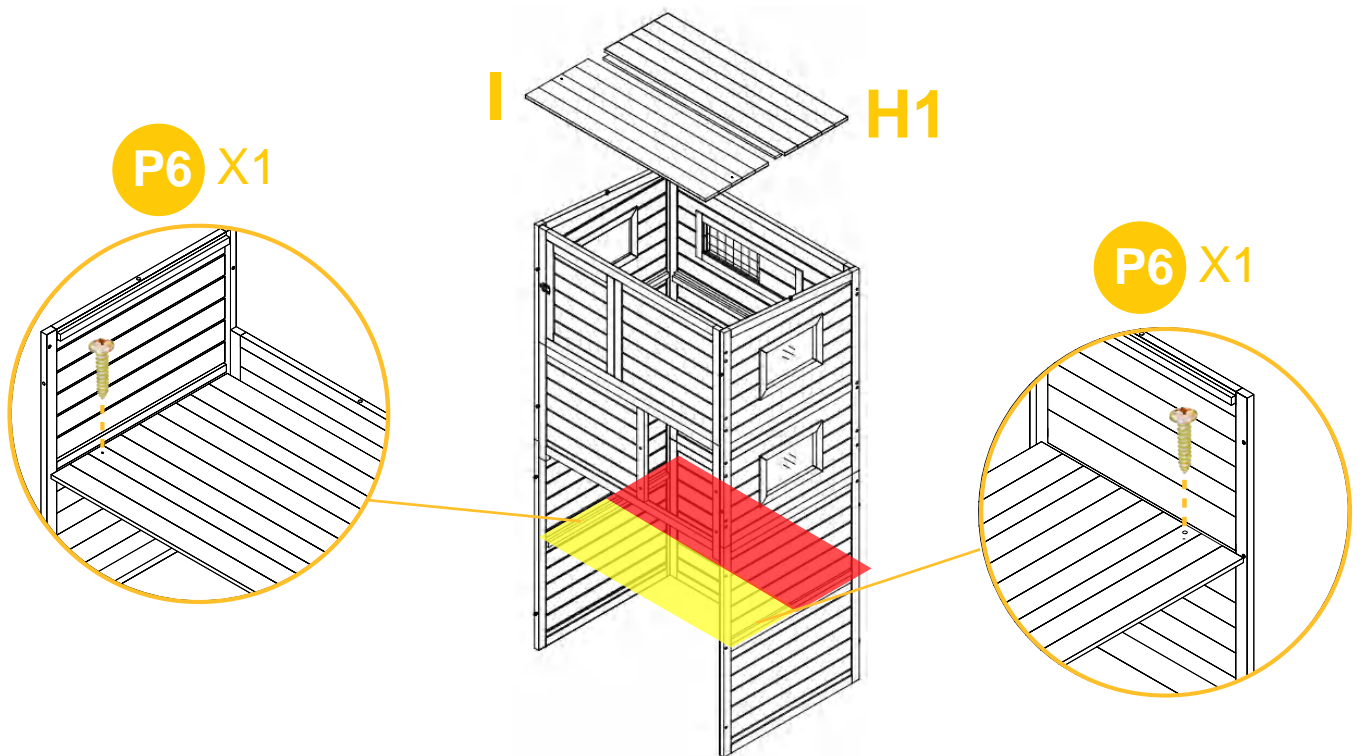


02 Attach the dividers Part F & G to the left and right side of wooden house by 10XP3.

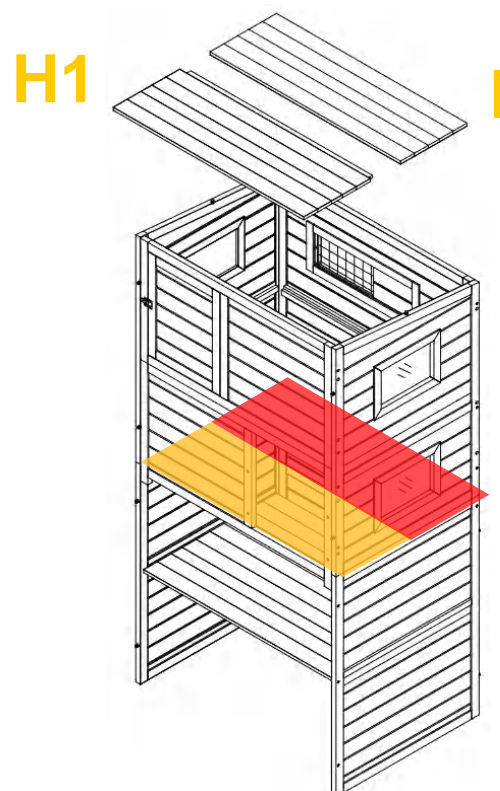


PRODUCT ASSEMBLY

03 Put layer Part H1 in lower position of wooden house, screw layer Part I in lower position of wooden house by 2XP6.

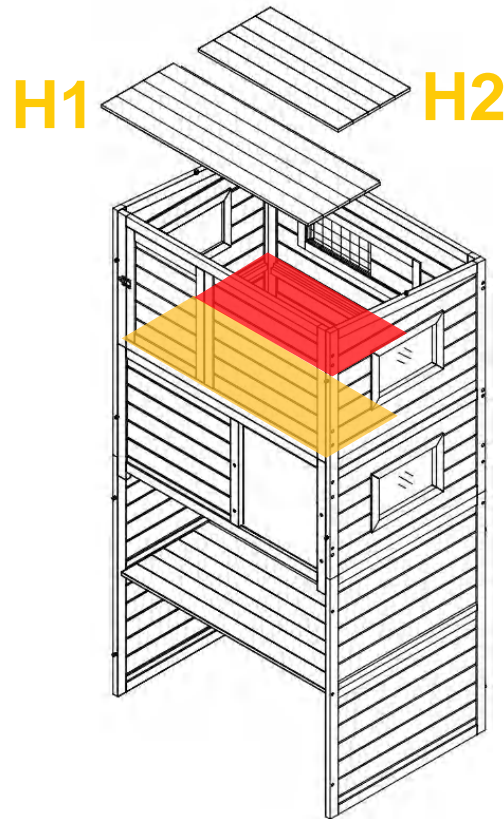


04 Put layers Part H1 and I in middle position of wooden house.

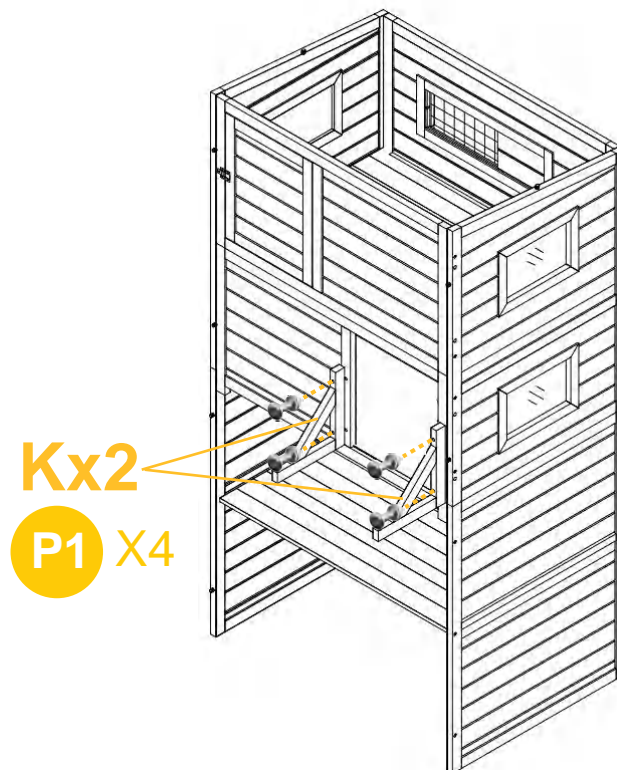


PRODUCT ASSEMBLY

05 Put layers Part H1 and H2 in upper position of wooden house.

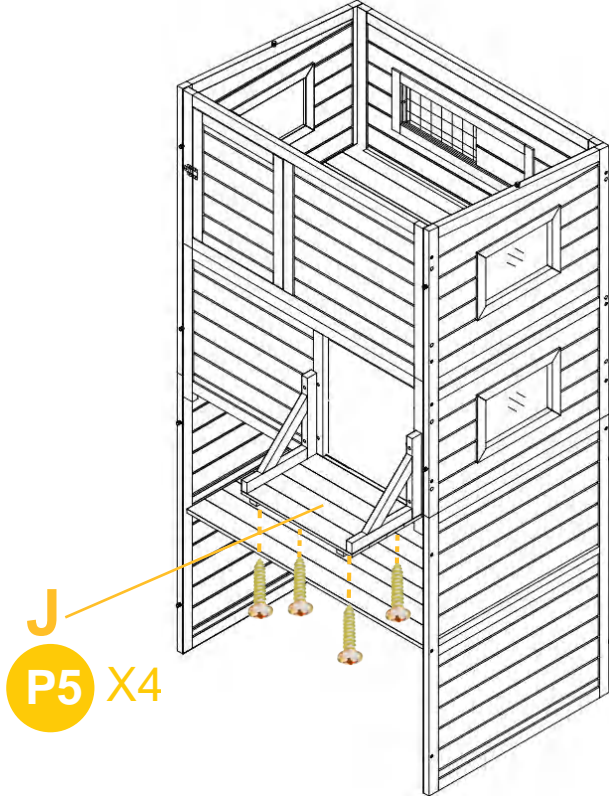


06 Attach the supporting bars Part K by 4XP1.

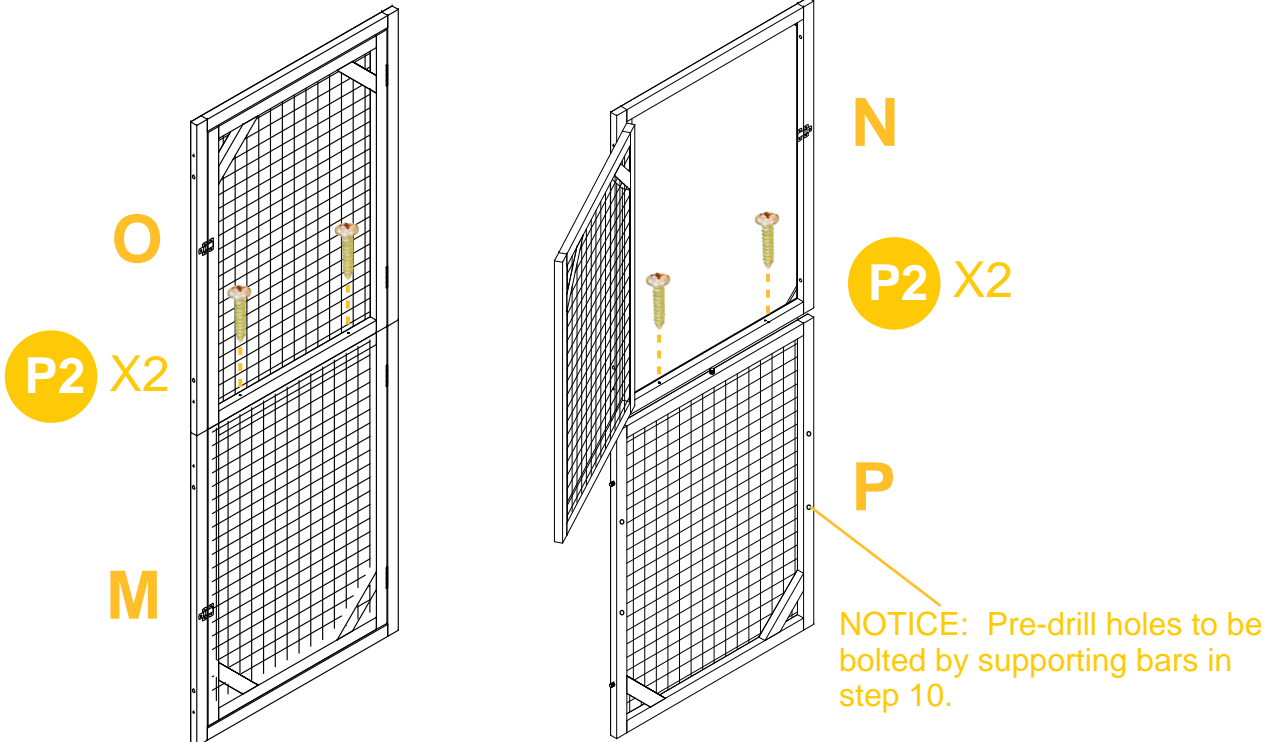


PRODUCT ASSEMBLY

07 Screw the platform layer Part J to supporting bars by 4XP5.

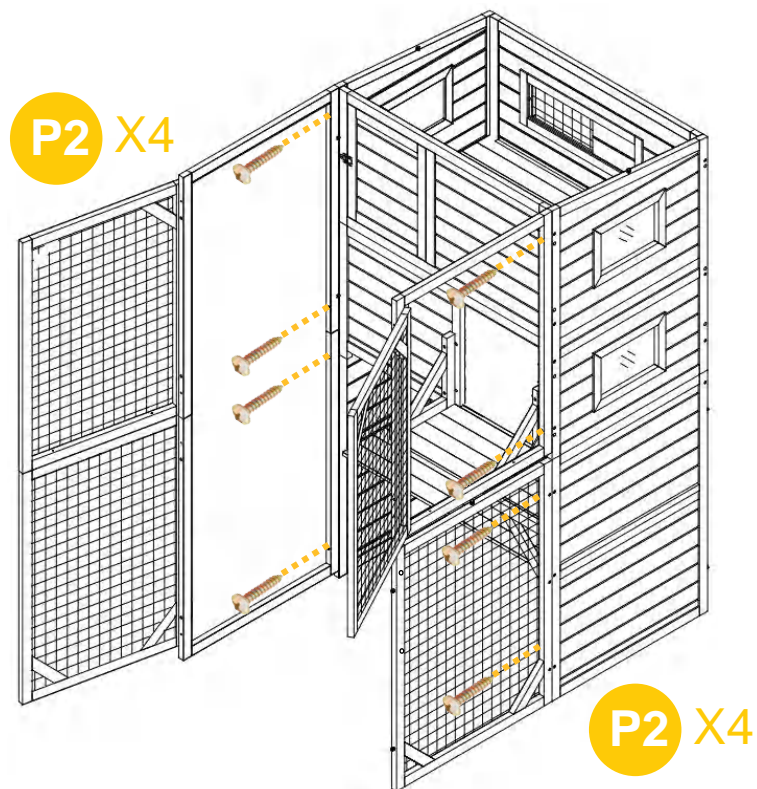


08 Connect the wire panels, screw Part O to Part M and Part N to Part P by 2XP2 each side.

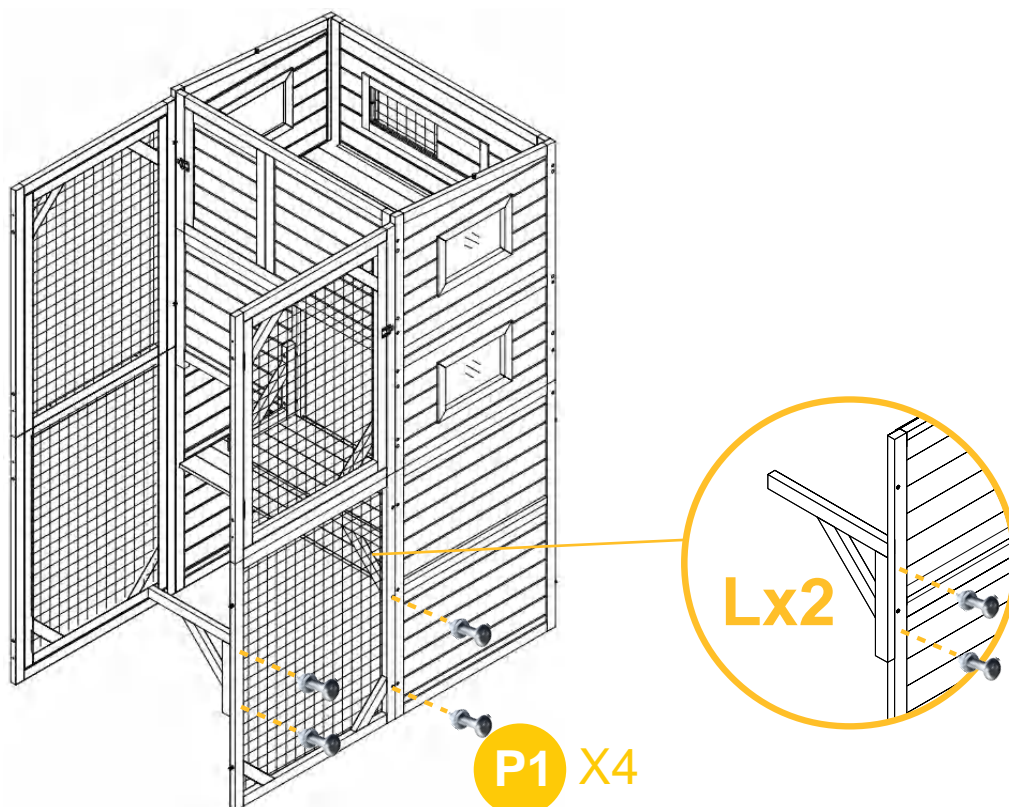


PRODUCT ASSEMBLY

09 Attach the step 08 to wooden house by 4XP2 each side.

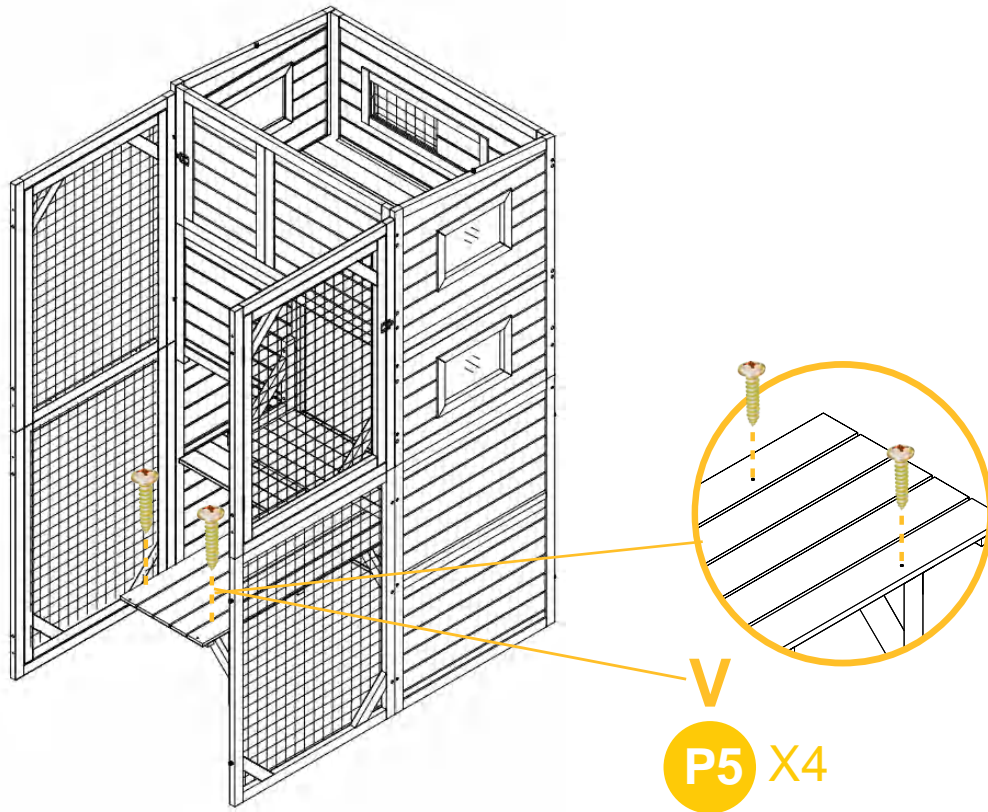


10 Attach 2 supporting bars Part L by 4XP1 each side.

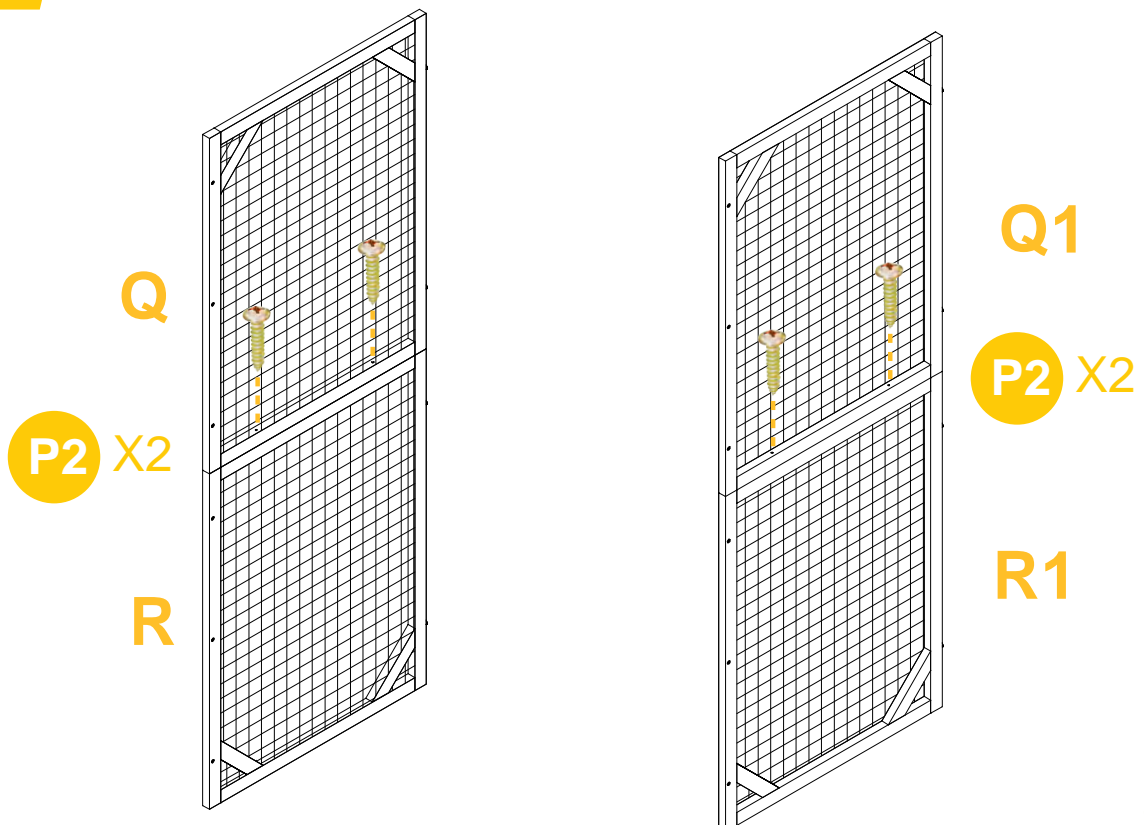


PRODUCT ASSEMBLY

11 Screw shelf panel Part V by 4XP5.

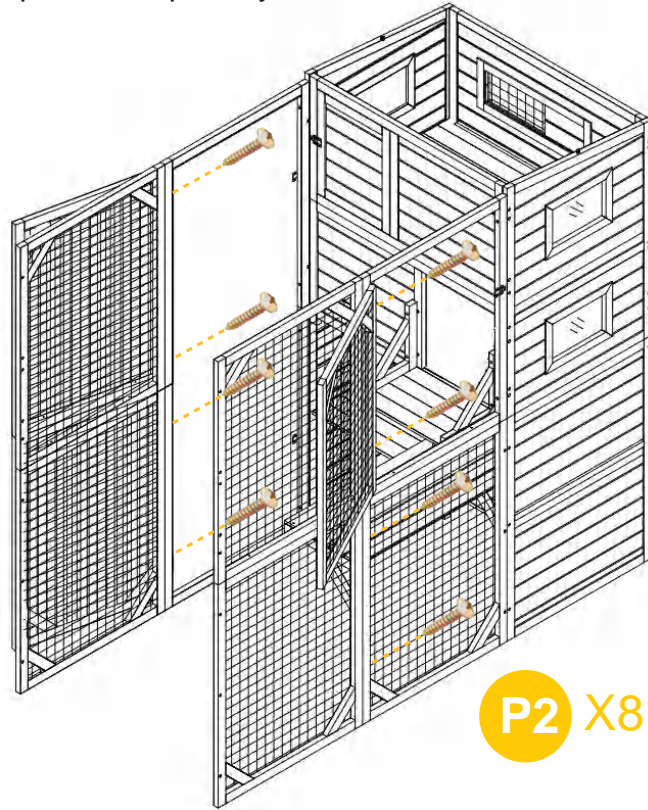


12 Connect 2 side wire panels, screw Part Q to Part R and Part Q1 to Part R1 by 2XP2 each side.



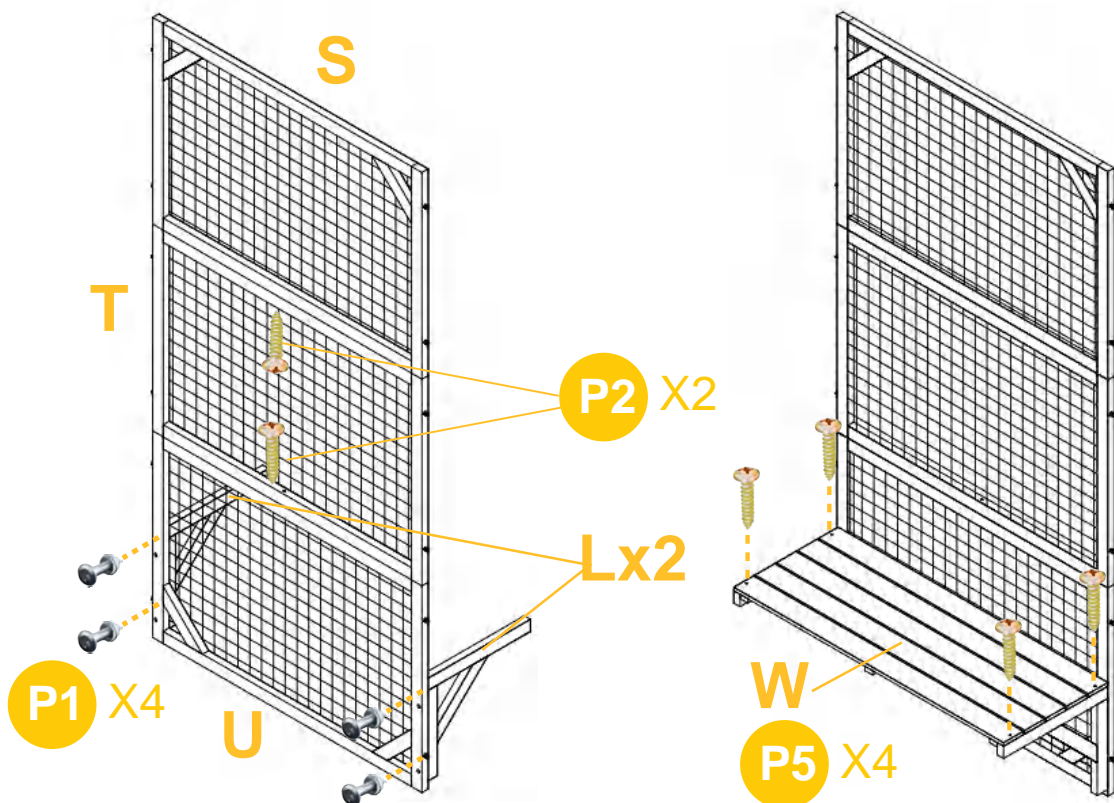
PRODUCT ASSEMBLY

13 Attach the step 12 to step 11 by 8XP2.



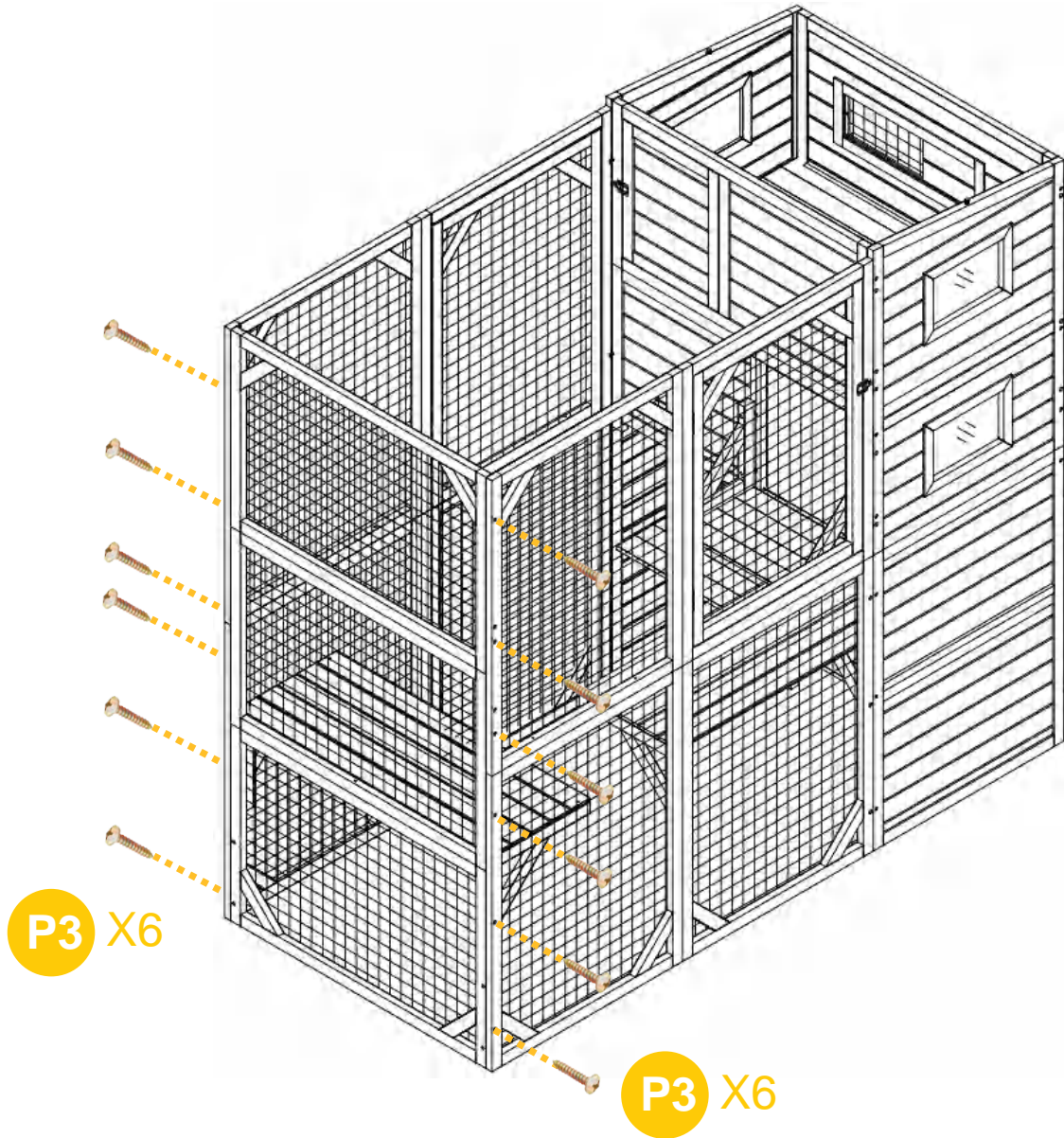
P2 X8

14 Connect the front wire panels, screw Part S, T, U by 2XP2, screw the supporting bars Part L in down area by 4XP1. Screw the shelf panel Part W in down area by 4XP5.



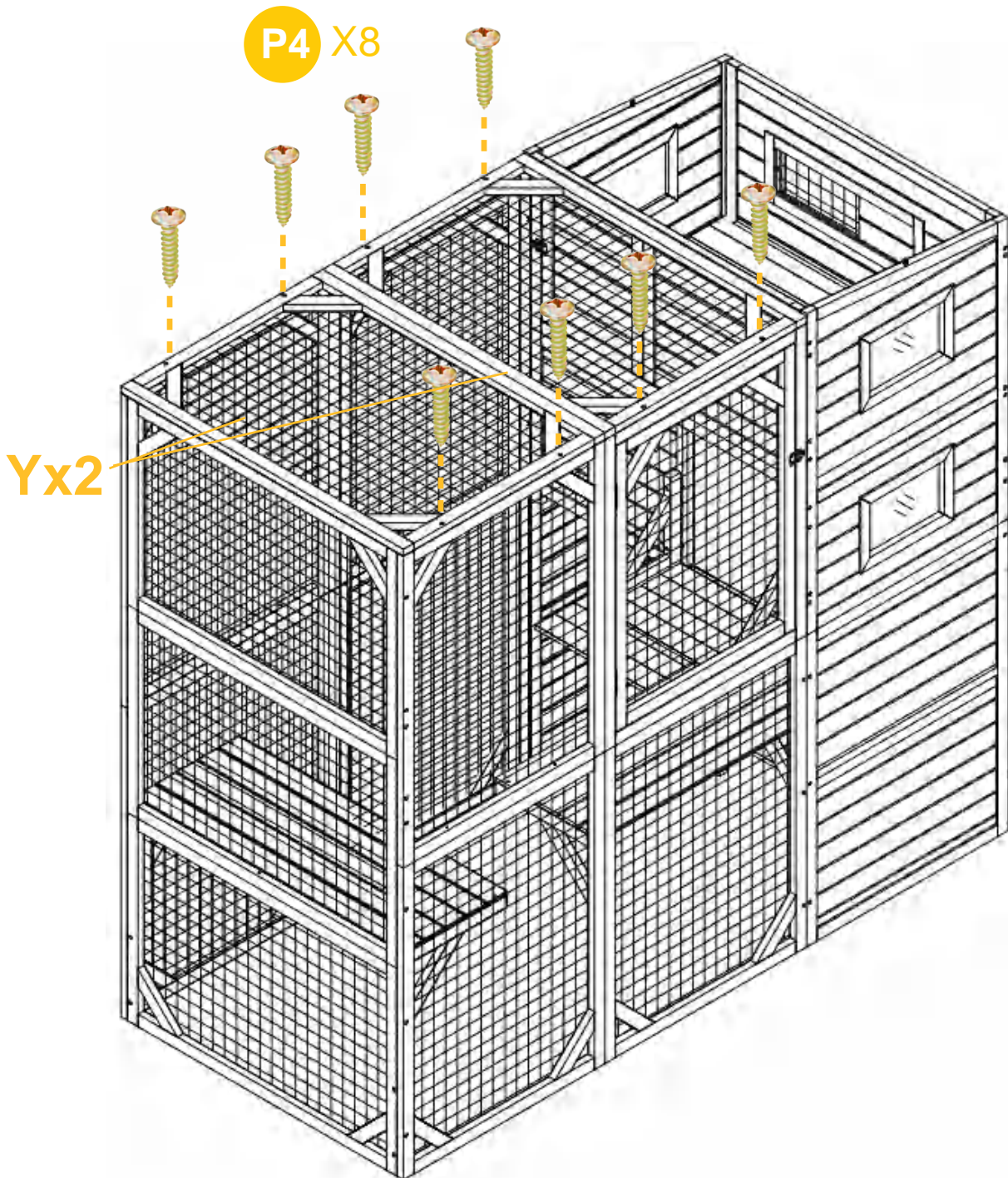
PRODUCT ASSEMBLY

15 Screw the front wire panels by 12XP3.



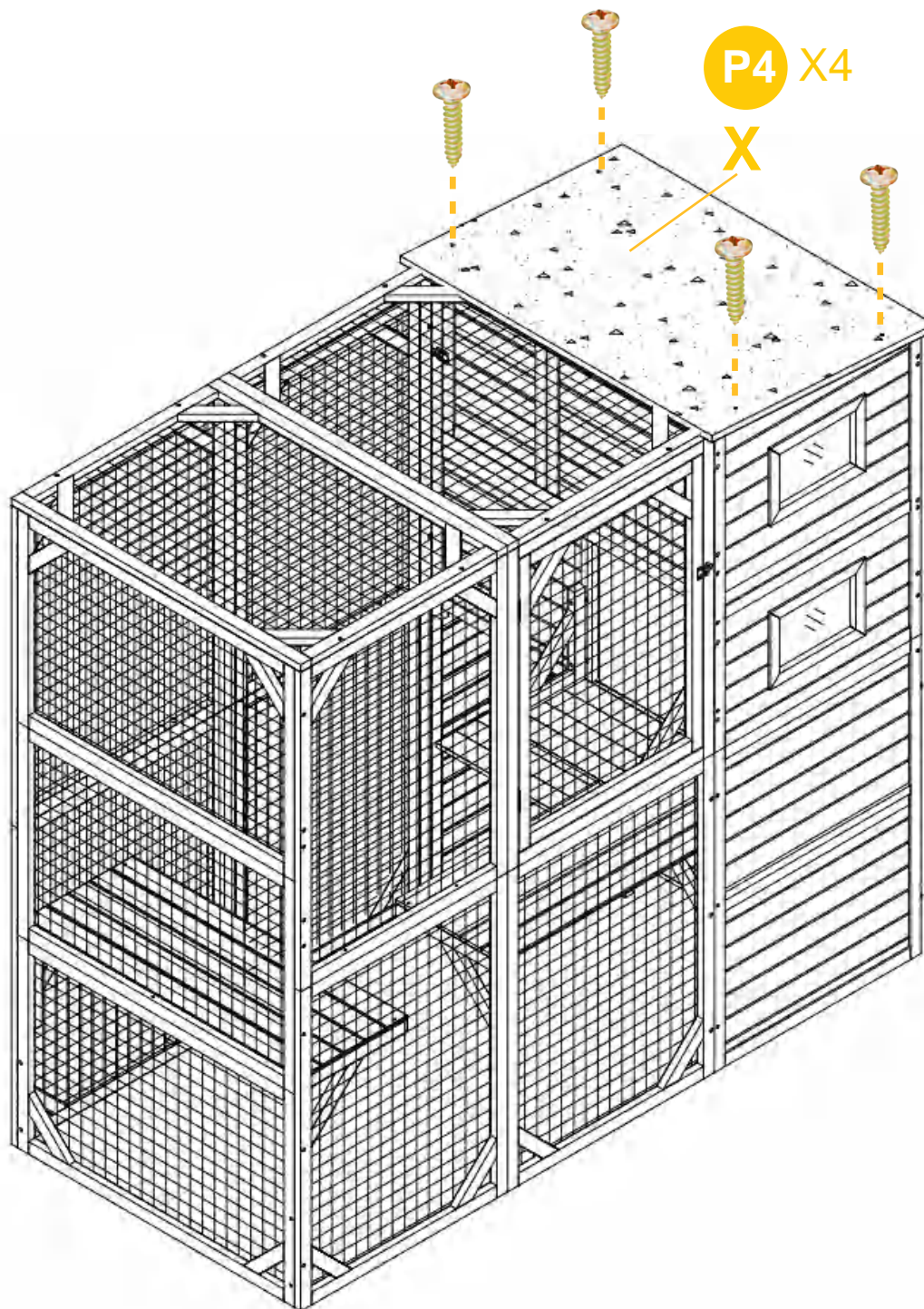
PRODUCT ASSEMBLY

16 Screw the wire roof Part Y by 8XP4.



PRODUCT ASSEMBLY

17 Screw roof Part X to the wooden house by 4XP4.



Finish



WARNING

Manufacturer and seller expressly disclaim any and all liability for personal injury, property damage or loss, whether direct, indirect, or incidental, resulting from the incorrect attachment, improper use, inadequate maintenance, or neglect of this