

HOME DECORATORS COLLECTION

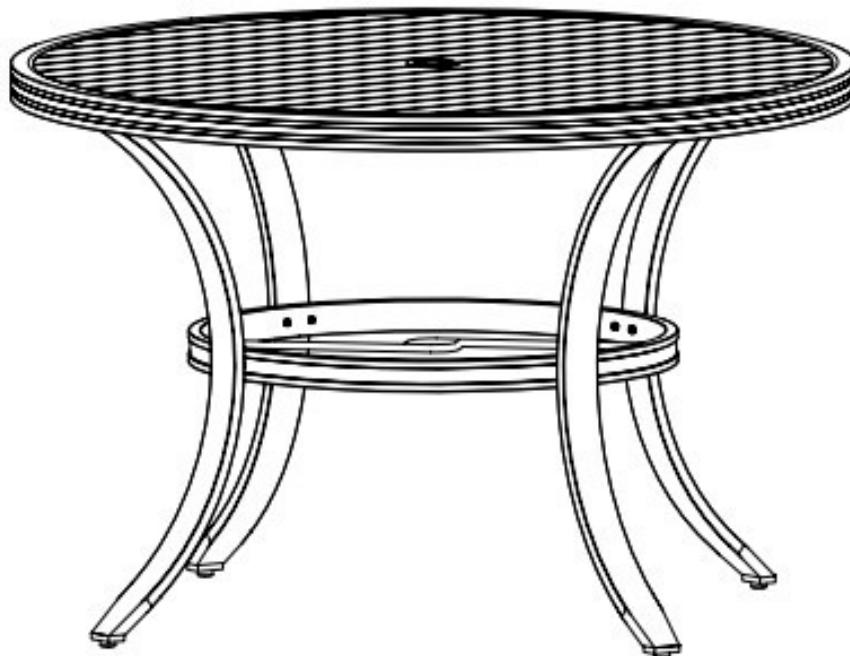
ABBOT DINING TABLE

Assembly Instructions

HDC#:1357310898 MFG#:FTA80489A

Please read over this instruction manual as it will save time in the assembly of this product.

Note: Prior to assembly, please open and lay parts out on a clean, soft flat surface to avoid any damages to the product's finish.



Caution:

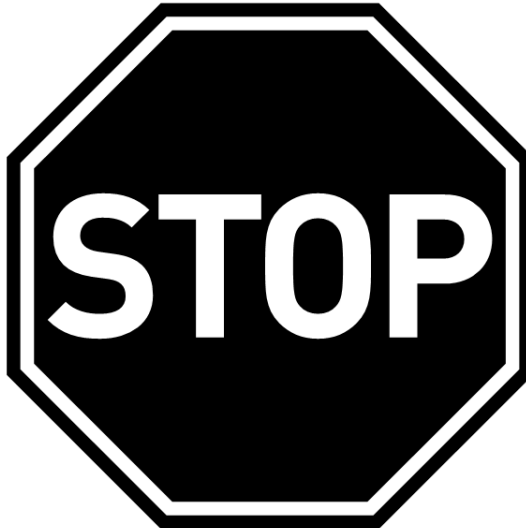
The Abbot Dining Table was made for the explicit purpose of providing outdoor functions and is not to be used as a toy. This product is not intended for inclement/severe weather in any form including, but not limited to: rain, hail, sleet, snow and/or wind. Manufacturer recommends that with formidable weather approaching you store and/or cover this dining table. Do not locate product near any open flame. Do not use product as a support. Do not shake, lean or climb on product. Children under age of 10 should be supervised by a competent adult at all times. This product is NOT intended for commercial use and will void the warranty.

WARRANTY

Yotrio Corporation, City of Industry, CA. 91748, extends three year frame limited warranty to the original purchaser as a sign of our dedication to the highest possible quality standards. The warranty is designed to cover the dining table under normal residential use. This warranty is non-transferable and void if the furniture is used in non-residential environment and/or has been abused. The warranty also becomes void in the event the dining table has been damaged by acts of God, calamity or misuse. This warranty does not cover in the event of inclement weather such as rain, hail, sleet, snow or wind. We reserve the right to make substitutions with similar merchandise, if the model in questions is no longer in production. The manufacturer recommends that with ANY formidable weather approaching your cover and store your dining table in a safe location.

CARE AND MAINTENANCE:

For best results, clean frame with damp cloth and dry thoroughly. This will help prevent mildew by removing dirt particles that may accumulate. Do not use abrasive materials or cleaners. In order to prolong the life of your dining table, when not in use or in inclement weather (rain, hail, sleet, snow, wind), fire, extreme heat and freezing conditions, the dining table needs to be stored in a dry, sheltered place.



DO NOT RETURN TO RETAILER

**IF YOU HAVE ANY QUESTIONS OR CONCERNS
PLEASE VISIT OUR WEBSITE AT:**

www.yotrioint.com

OR TOLL FREE AT:

1-800-245-2217

**MONDAY-FRIDAY 8:30 AM TO 5:00 PM PACIFIC STANDARD TIME / 11:30
AM TO 8:00PM EASTERN STANDARD TIME**

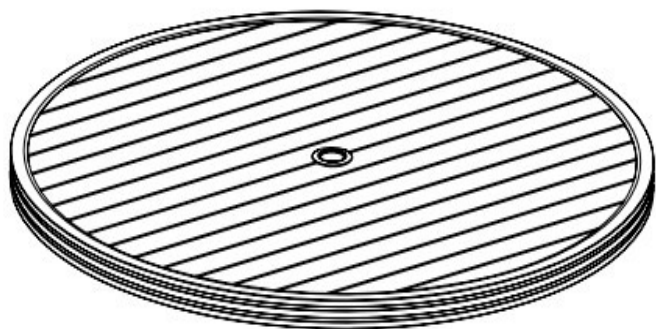
YOTRIO CUSTOMER CARE

Warranty Coverage Requirements:

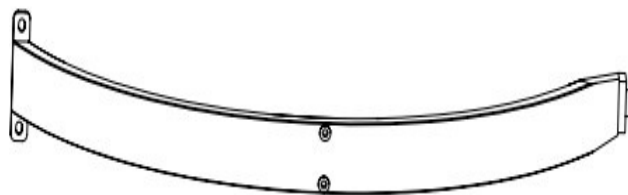
- 1. Copy of your Original Store Receipt.**
- 2. Pictures of the damaged parts.**
- 3. You must know the name of your product and any corresponding item numbers as well as the name of the store where you purchased the item.**
- 4. Please gather all of this information BEFORE you call customer service.**

Parts Check List

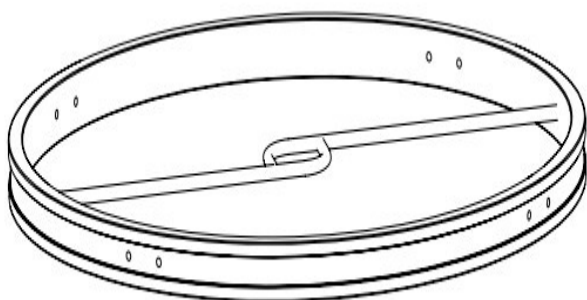
Please remove all parts carefully from box and lay out on clean, soft surface to protect product's finish.



① Table Top – 1PC



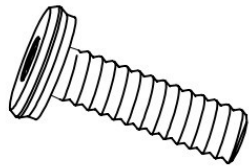
② Table Leg–4PC



③ Leg Connector– 1PC

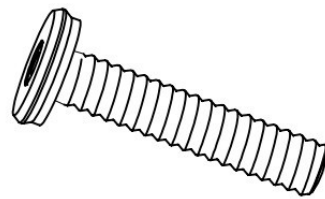
Hardware Check List

Please take all hardware out of the hardware bag.



A. Hex bolt – 8 PC

M6X20mm



B. Hex bolt –8PC

M6X30mm

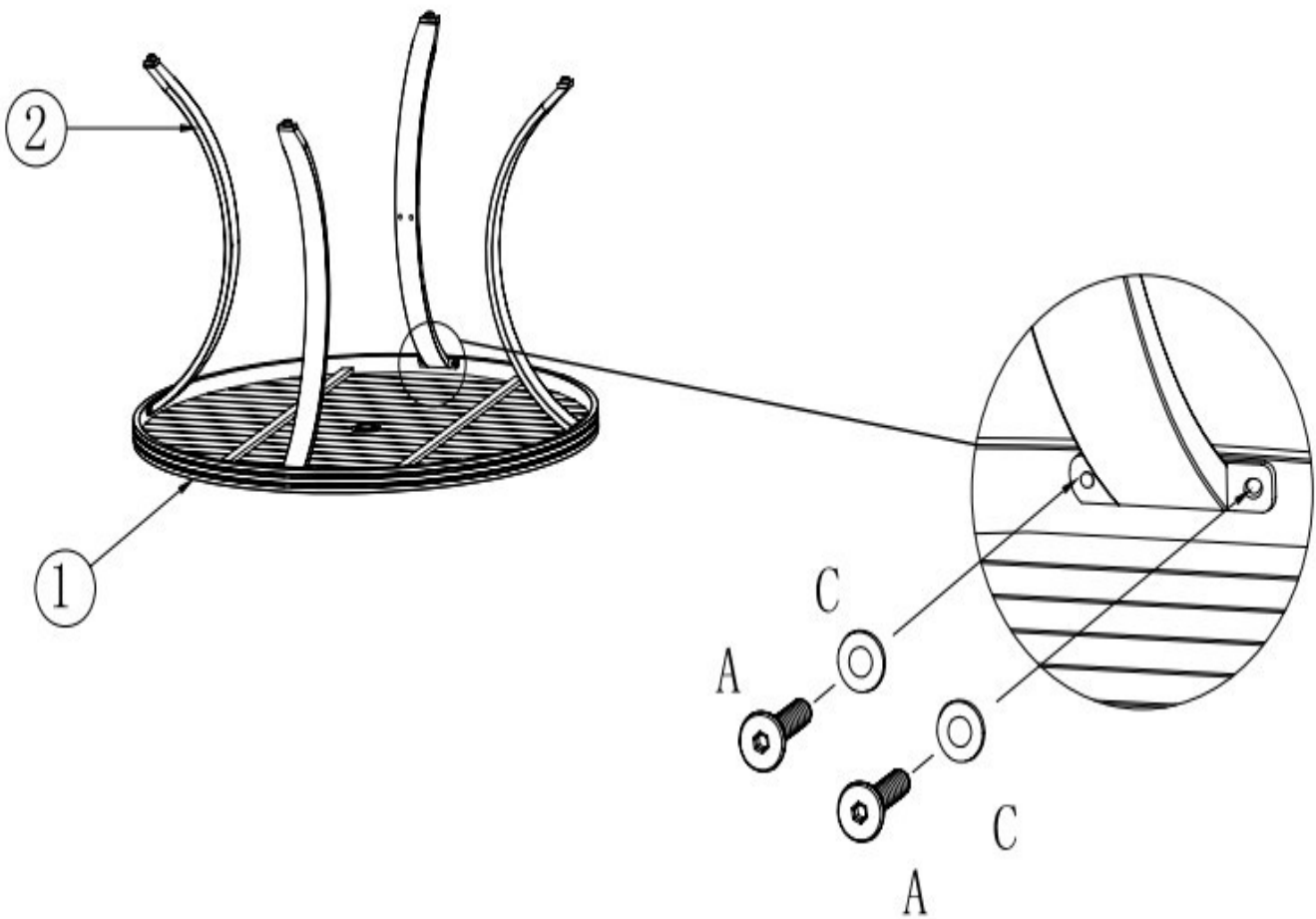


C. Washer –16PC

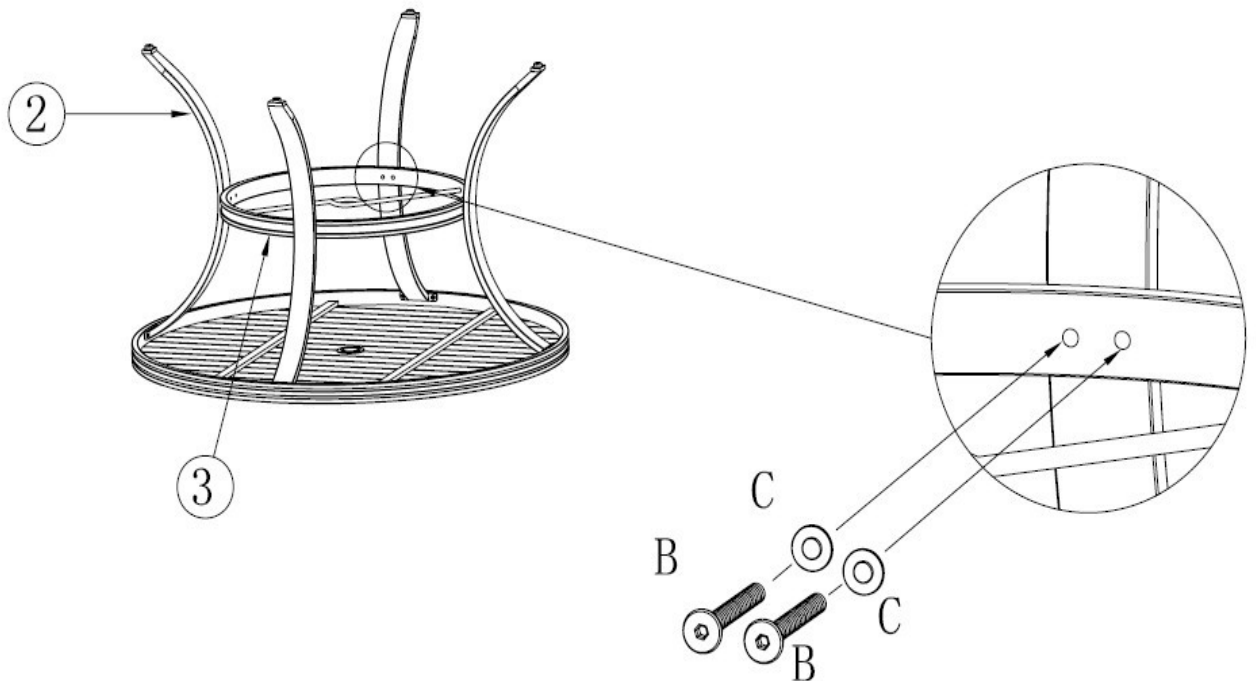


D. Hex Wrench–1PC

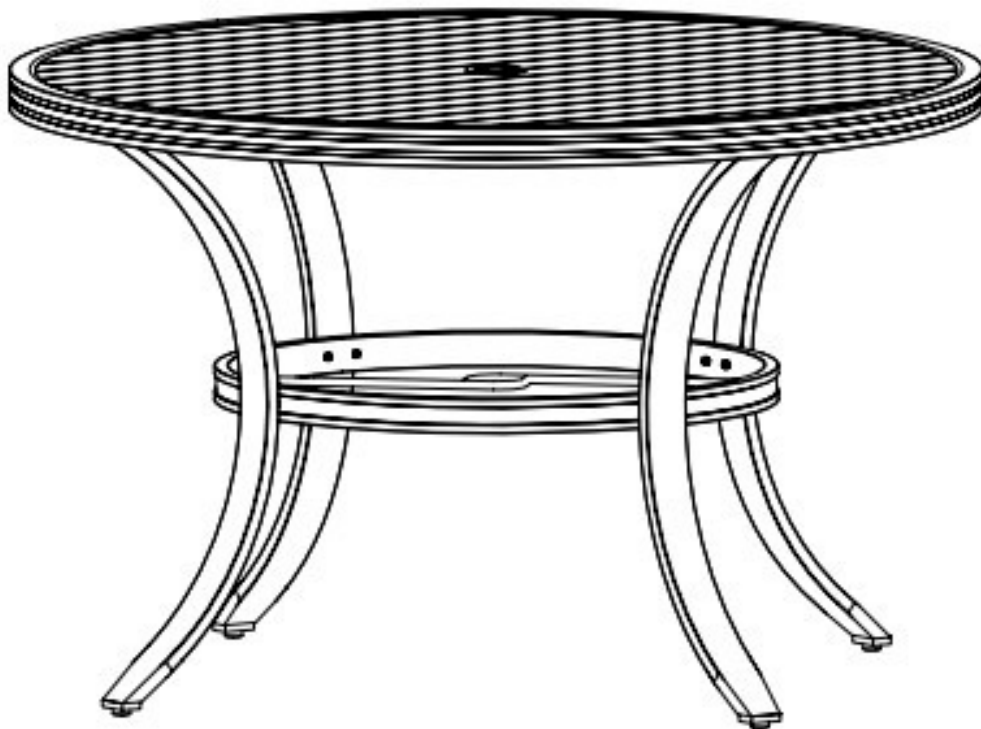
- 1. Place Table Top (1) on a soft surface. Attach 4 pieces of the Table Legs(2) to Table Top (1) with 8pcs of Hex Bolt (A) and 8pcs of Washer(C). Use the Hex Wrench (D) to loosely secure. Do not tighten yet!**



- 2. Attach the Leg Connector (3) to the assembled 4 pieces of the Table Leg (2) with 8 pcs of Hex Bolt (B) and 8 pcs of Washer(C).
Use the Hex Wrench (D) to loosely secure.
Do not tighten yet!**



- 3. Flip the table over and tighten all of the bolts with Hex Wrench (D). Check to ensure the table is tightly assembled and stable before use.**



Assembly is now complete!