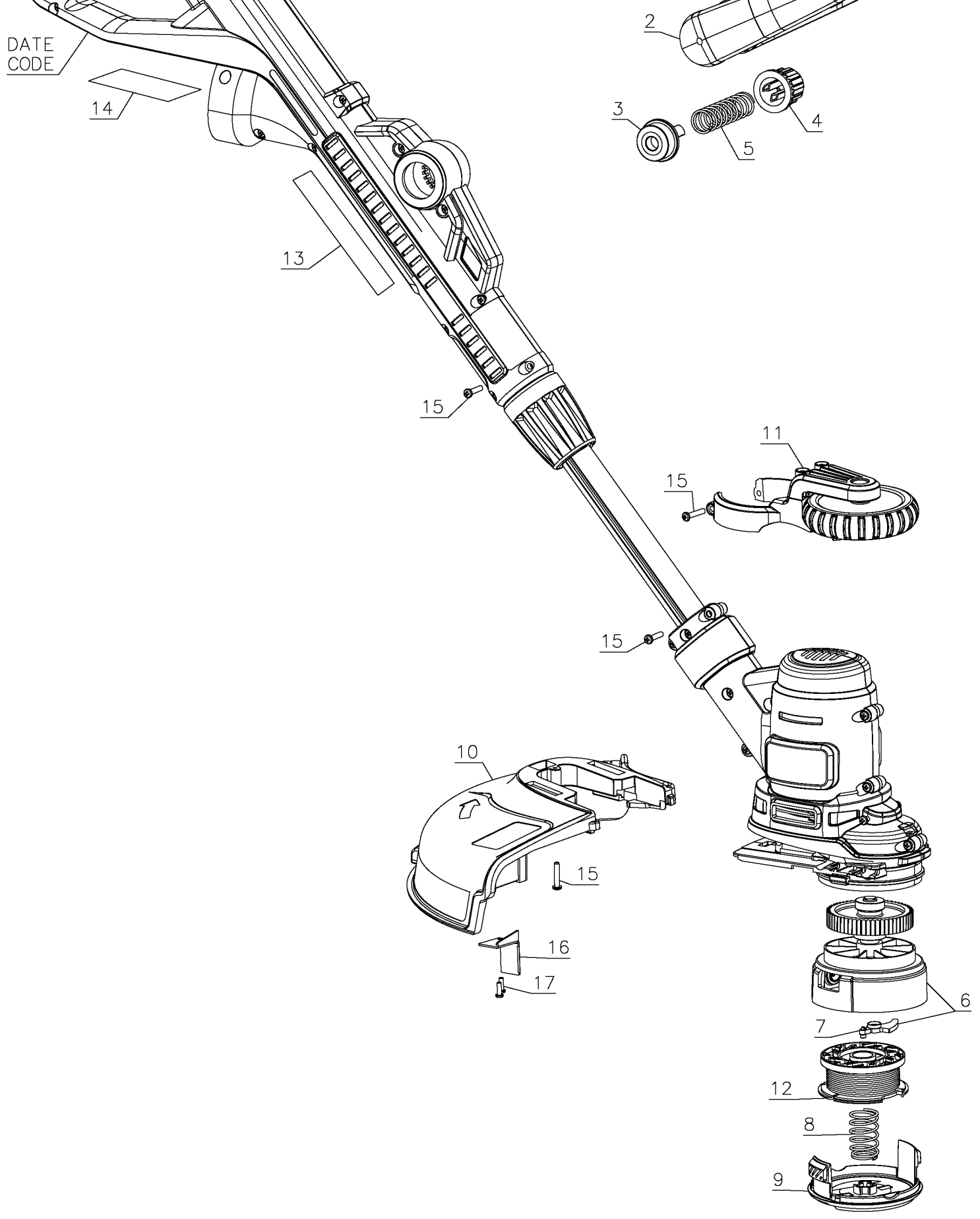


DATE  
CODE



## Parts List for GH900 Type 2

Item Number	Part Number	Description	Qty Required
2	90632689	AUXILIARY HANDLE	1
3	90556608	BUTTON	1
4	90554396-01N	BUTTON	1
5	90559866	SPRING	1
6	90563050	GEAR & SPINDLE	1
7	90567079	LEVER	1
8	90566944	SPRING	1
9	385022-03N	COVER	1
10	90601678N	GUARD ASSEMBLY	1
11	90611353	GUIDE WHEEL	1
12	AF-100	REPLACEMENT SPOOL	1
13	90619975	RATING LABEL	1
14	90595823	WARNING LABEL	1
15	747329	SCREW	28
16	90559116	BLADE	1
17	681914-00	SCREW	2

COPYRIGHT© 2005. All Rights Reserved.

Parts list, pricing, and availability subject to change. Please visit [www.dewaltservicenetwork.com](http://www.dewaltservicenetwork.com) for current parts information.