



Item # 100000000  
Model # H27LOCKER4

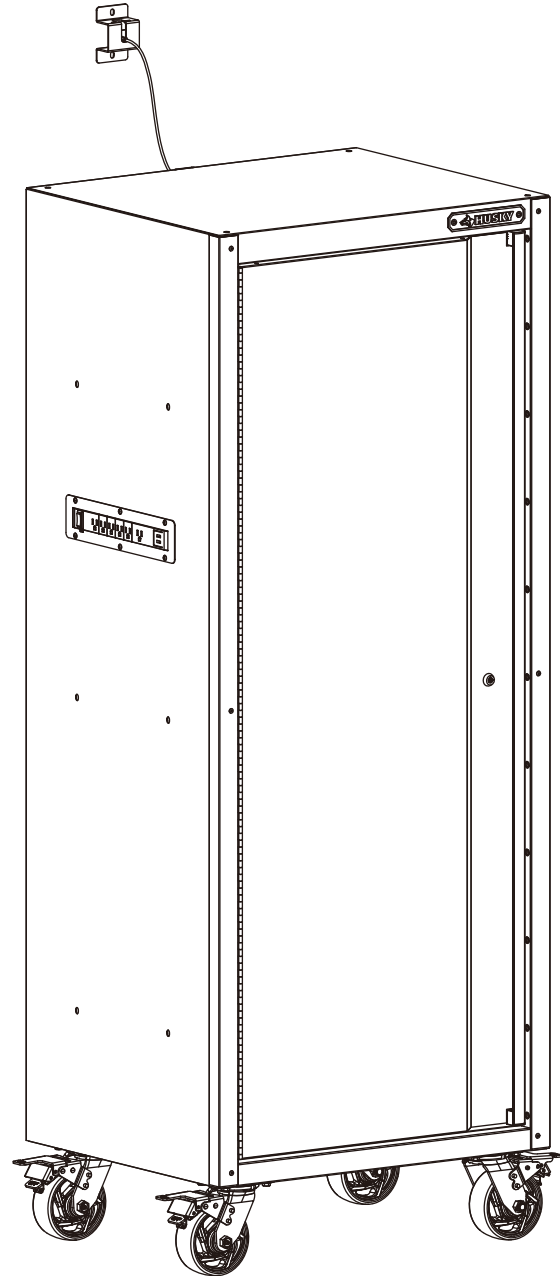
## USE AND CARE GUIDE

Husky 27 in. Side Locker

Questions, problems, missing parts?  
Before returning to the store, call  
Husky Customer Service  
8 a.m – 7 p.m., EST, Monday-Friday  
9 a.m – 6 p.m., EST, Saturday

1-888-HD-HUSKY

HUSKYTOOLS.COM



### **THANK YOU**

*We appreciate the trust and confidence you have placed in Husky through the purchase of this side locker. We strive to continually create quality products designed to enhance your home. Visit us online to see our full line of products available for your home improvement needs. Thank you for choosing Husky!*

# Table of Contents

Table of Contents.....	2	Assembly .....	6
Safety Information .....	2	Cordless Power Tool Battery Chargers .....	11
Warranty.....	4	Maintenance.....	11
Specifications .....	4	Replacement Parts .....	12
Package Contents.....	4		
Hardware Included.....	4		
Alternative Tools For Assembly (Not Included) .....	4		

## Safety Information

1. To reduce the risk of injury, please read and follow the safety instructions below before assembling and using this product.
2. Two or more people are recommended for the assembly of this product.
3. Use the brakes when this product is not being moved. This prevents the product from rolling.
4. Do not tow the product with power equipment.
5. Do not alter this product in any manner. For example, do not weld external lock bars or attach electrical equipment.



**CAUTION:** Keep the product on level surfaces. The product may become unstable and tip if stored or moved on an unlevel surface, which may cause personal injury or product damage.



**CAUTION:** Lock the door before moving this product. The door could come open and make the product unstable, which may cause personal or product damage.



**CAUTION:** Do not attach or mount this product to a vehicle or mobile trailers. This may cause personal injury or product damage. Mounting this product to any vehicle or mobile trailers in any manner will void warranty.



**CAUTION:** Do not stand on this product. You may fall which may cause personal injury or product damage.



**CAUTION:** Be careful during assembly. The product may become unstable and tip, which may cause personal injury or product damage.

## 6. Extension cord

- Follow all manufacturers' Warnings and Operating Instructions for your extension cord.
- Do not insert extension cord through hole without grommet in place.
- Only use a three-wire extension cord with all three prongs intact. Never remove the round grounding prong.
- Extension cord must be connected to a 125 Volt GFCI protected outlet with proper ground. If GFCI outlet is not available, use an extension cord with GFCI protection built in.
- Check the insulation and plugs of extension cord before using. Do NOT use cord if it is worn or damaged.
- Do NOT overload extension cord.
- Remove extension cord from the hole before moving or transporting this product.
- Only use an extension cord that is rated for outdoor use.
- Do NOT connect extension cord to outlet that also supplies critical safety equipment with power.

## 7. Electrical Shock Hazard

- Do not plug cord into outlet with wet hands.
- Do not use this product near a bathtub, a shower, or a swimming pool.
- Product plugs must match the outlet.
- Never modify the plug in any way.
- Do not use any adapter plugs with earth (grounded) product power strips.
- Unmodified plugs and matching outlets will reduce the risk of electric shock.
- Avoid body contact with earthed or grounded surfaces. There is an increased risk of electric shock if your body is earthed or grounded.



**CAUTION: RISK OF ELECTRICAL SHOCK:** This unit has one power supply cord. Make sure the cord is unplugged before any servicing or cleaning.



**WARNING:** Changes or modifications to this unit not expressly approved by the party responsible for compliance could void the user's authority to operate the equipment.



**NOTE:** This device complies with Part 15 of the FCC Rules. Operation is subject to the following two conditions: (1) this device may not cause harmful interference, and (2) this device must accept any interference received, including interference that may cause undesired operation.



**NOTE:** This equipment has been tested and found to comply with the limits for a Class B digital device, pursuant to Part 15 of the FCC Rules. These limits are designed to provide reasonable protection against harmful interference in a residential installation. This equipment generates, uses and can radiate radio frequency energy and, if not installed and used in accordance with the instructions, may cause harmful interference to radio communications. However, there is no guarantee that interference will not occur in a particular installation.

If this equipment does cause harmful interference to radio or television reception, which can be determined by turning the equipment off and on, the user is encouraged to try to correct the interference by one or more of the following measures:

- Reorient or relocate the receiving antenna.
- Increase the separation between the equipment and receiver.
- Connect the equipment into an outlet on a circuit different from that to which the receiver is connected.
- Consult the dealer or an experienced radio/TV technician for help.

# Warranty

The manufacturer warrants the product to be free from defects in materials and workmanship for a period of five (5) years from date of purchase. This warranty applies only to the original consumer and only to products used in normal use and service. If this product is found to be defective, the manufacturer's only obligation, and your exclusive remedy, is the repair or replacement of the product at the manufacturer's discretion, provided that the product has not been damaged through misuse, abuse, accident, modifications, alteration neglect or mishandling. This warranty shall not apply to any product that is found to have been improperly installed, setup, or used in any way not in accordance with the instructions supplied with the product. This warranty shall not apply to a failure of the product as a result of an accident, misuse, abuse, negligence, alteration, faulty installation, or any other failure not relating to faulty material or workmanship. This warranty shall not apply to the finish on any portion of the products such as surface and/or weathering, as this is considered normal wear and tear.

The manufacturer does not warrant and specifically disclaims any warranty, whether express or implied, of fitness for a particular purpose, other than the warranty contained herein. The manufacturer specifically disclaims any liability and shall not be liable for any consequential or incidental loss or damage, including but not limited to any labor/expense costs involved in the replacement or repair of said product.

Contact the Customer Service Team at 1-888-HD-HUSKY or visit [www.huskytools.com](http://www.huskytools.com).

# Specifications

Maximum weight per shelf

150 lbs.

# Package Contents

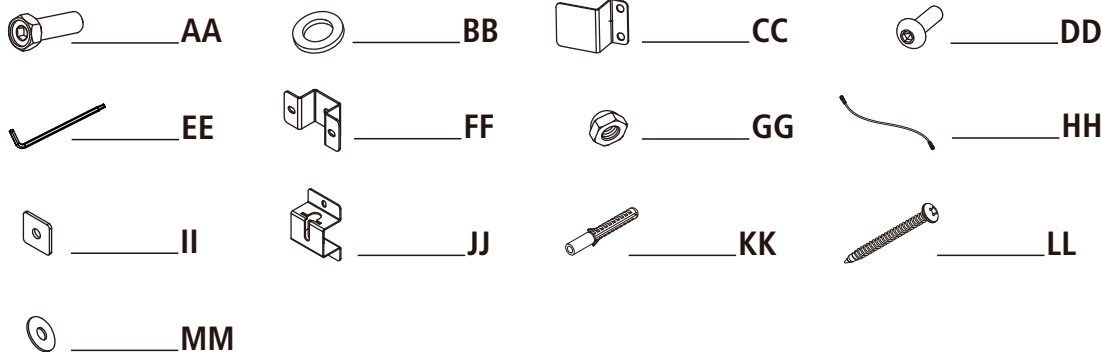
## HARDWARE INCLUDED



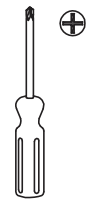
**NOTE:** Hardware not shown to actual size.



**NOTE:** Begin product assembly close to the final intended location of your locker. This product is heavy and may be difficult to move after assembly.



## ALTERNATIVE TOOLS FOR ASSEMBLY (Not Included)



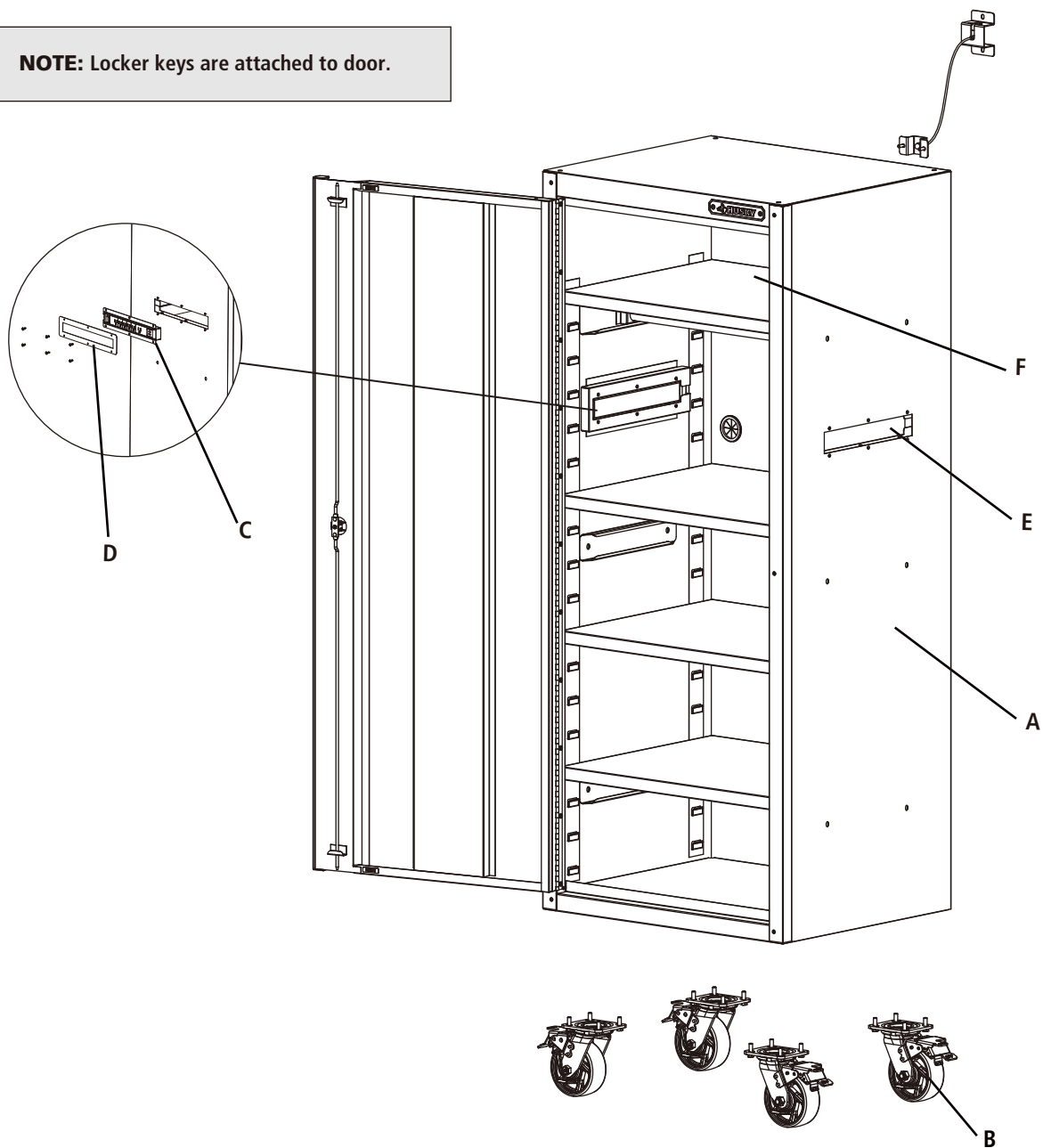
Phillips head screwdriver

Part	Description	Quantity	Part	Description	Quantity
AA	Hexagon socket head cap bolt (M8)	16	HH	Wire rope	1
BB	Washer (M19)	16	II	Holder	1
CC	Storage hook	2	JJ	Wall safety bracket	1
DD	Hexagon socket button cap bolt	6	KK	Wall anchor	2
EE	L hex key	1	LL	Bolt (ST6.3 x 70mm)	2
FF	Locker safety bracket	1	MM	Washer	2
GG	Nut	2			

# Package Contents (continued)



**NOTE:** Locker keys are attached to door.



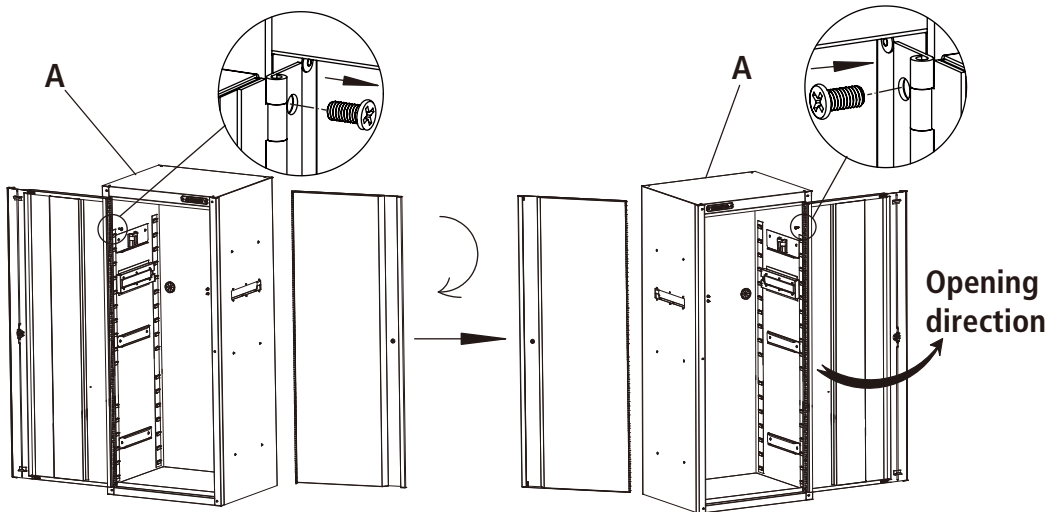
Part	Description	Quantity
A	Locker	1
B	Swivel caster	4
C	Power outlet	1
D	Outlet panel cover	1
E	Blank plate	1
F	Adjustable Shelf	4



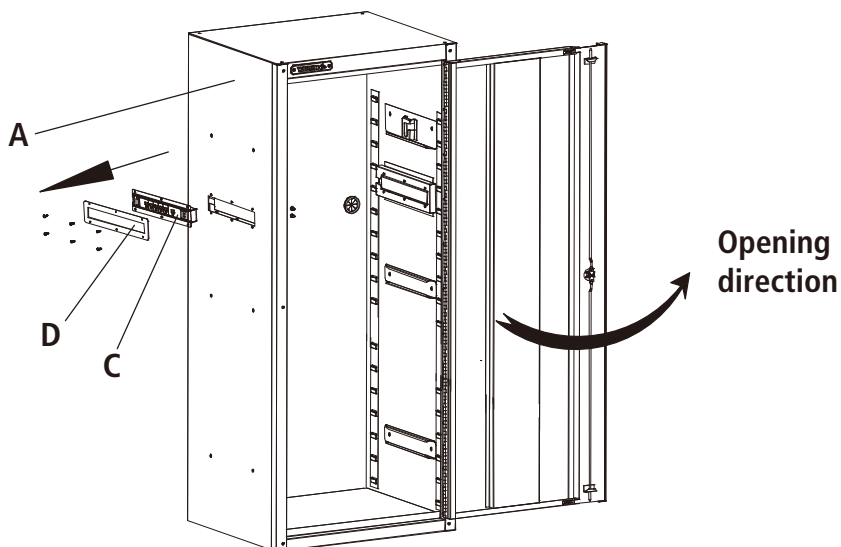
**CAUTION:** Two people are recommended for assembly.

## 1 Locker door orientation

1. To flip the door to the Locker (A), first secure the door in the "open" position on a small block to help keep the door level. Remove the door by removing the 11 Phillips head bolts inside the hinge of the Locker (A). Then re-install the door with the 11 Phillips head bolts along the hinge located on the right side of the Locker (A). Ensure the door is level and centered in the opening before tightening the 11 bolts.

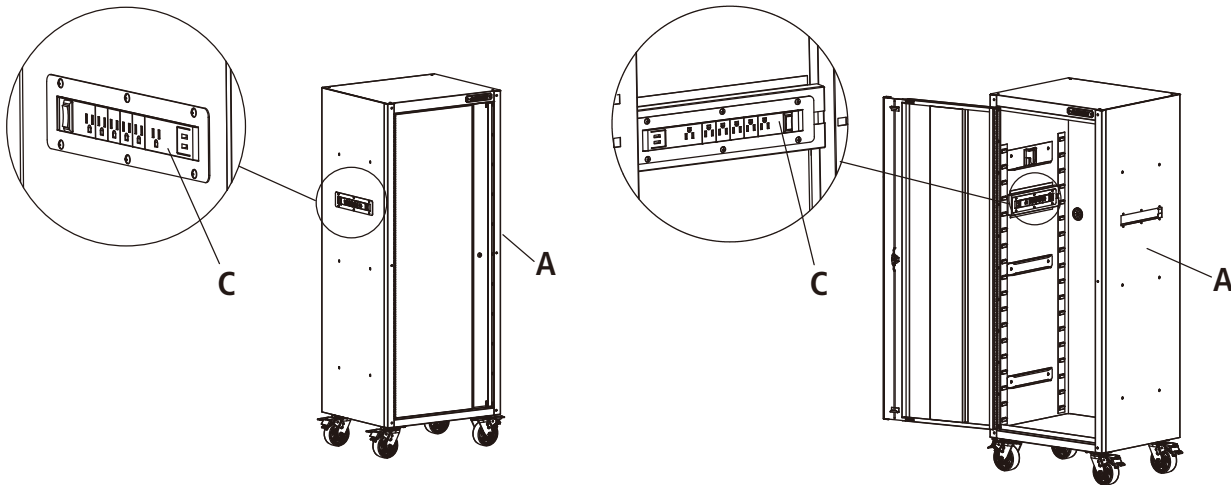


2. Remove the Power outlet (C) from the left wall of the Locker (A) by removing the 6 Phillips head screws from the outlet panel cover (D) and gently pulling the Power outlet (C) and holder from the cabinet.

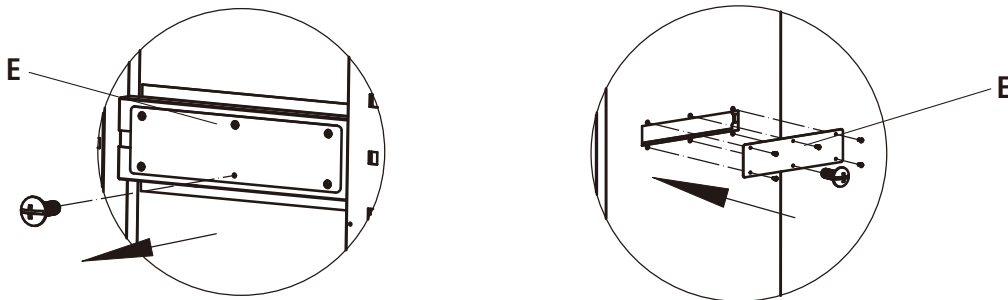


## 2 Power outlet orientation

1. Re-install the Power outlet (C) in the desired location of the Locker (A).
2. The power outlet (C) can be installed on the left or right hand side of the Locker (A), either facing to the inside or outside orientation.

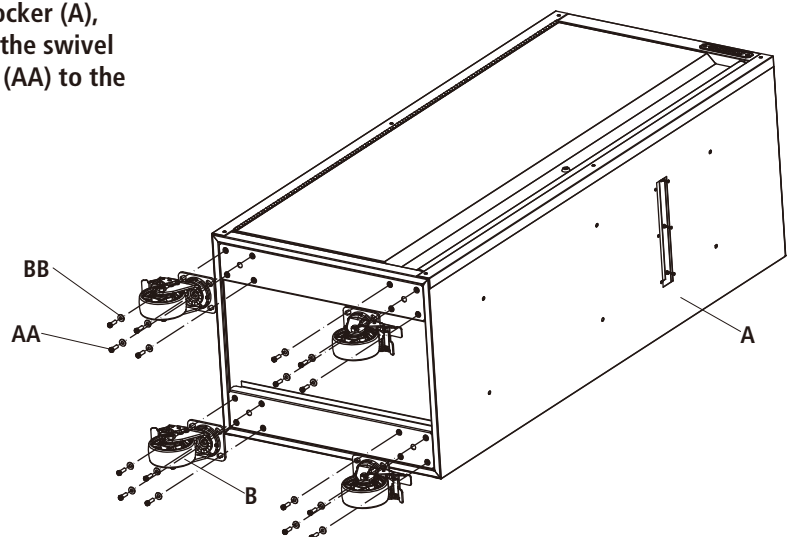


3. If needed, add the blank plate (E) to the outside of the Locker (A) using the 6 Phillips head screws to cover the power outlet opening.



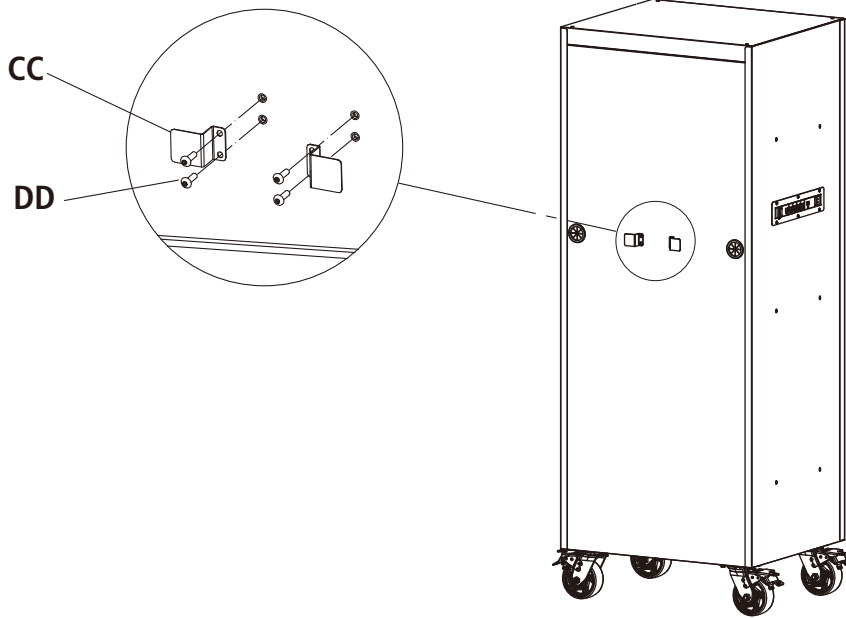
## 3 Attaching the casters

1. Be sure the door is locked and lay the Locker (A) down.  
Use packaging material to protect the finish.
2. Attach the swivel casters (B) to the outer side of the Locker (A), by inserting insert bolts (AA) and washer (BB) through the swivel caster (B). Use the Hex Key (EE) to tighten the 16 bolts (AA) to the bottom frame.



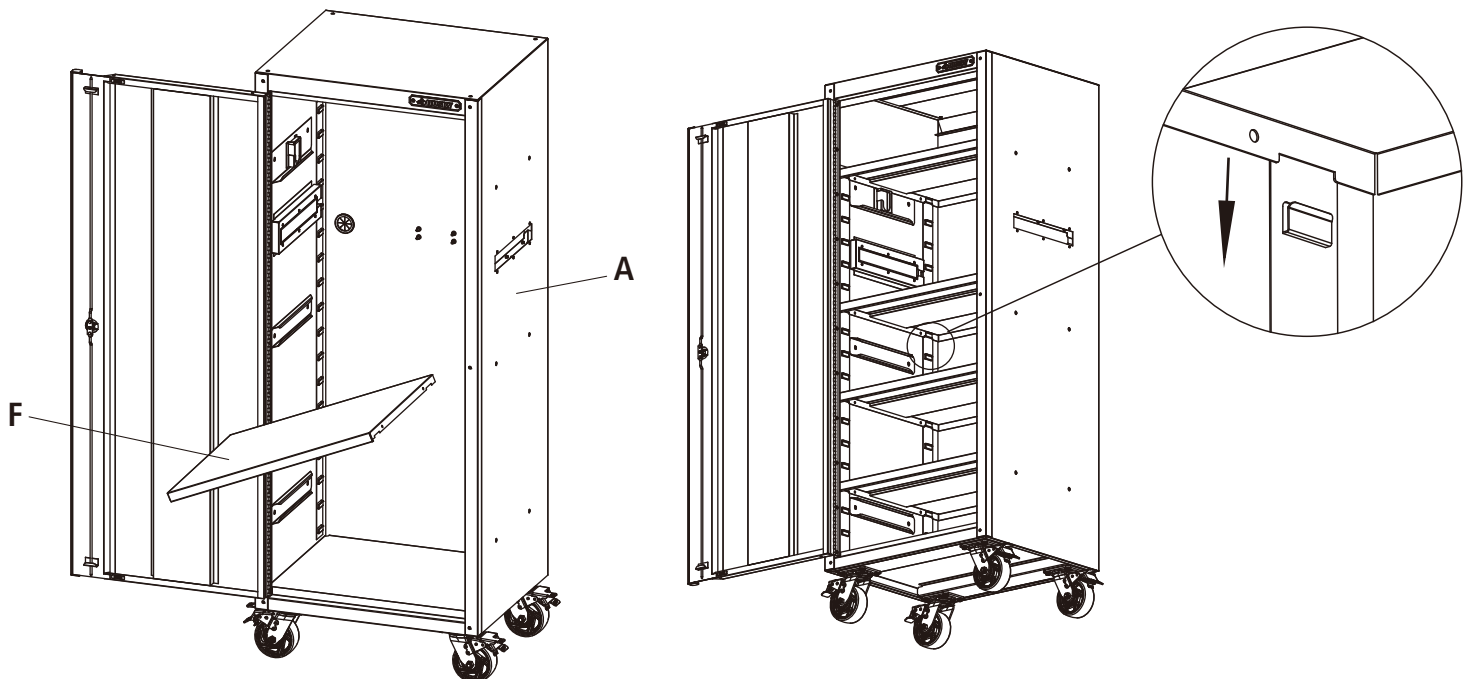
# 4 Attach the storage hooks

1. Install the Storage Hooks (CC) on the back of the Side Locker with 4 pcs Hexagon socket button cap bolts (DD).



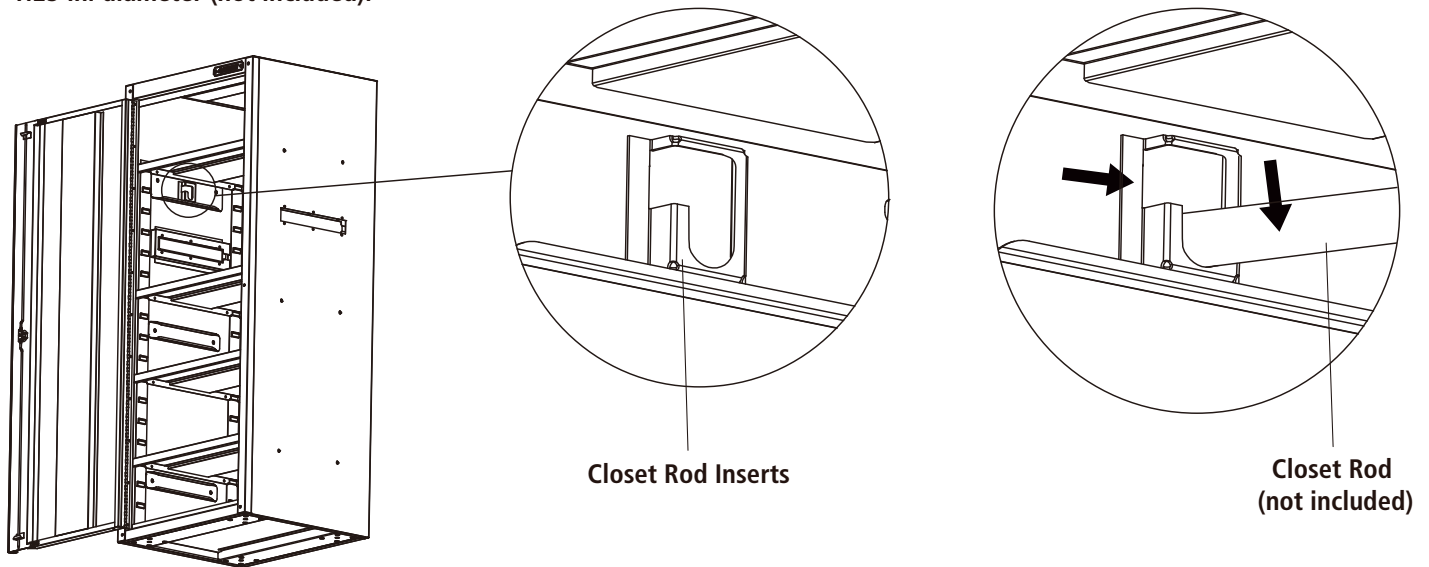
# 5 Inserting the shelves

1. Determine the desired height of your Shelves (F) and secure by inserting shelf edges into the tabs/flanges on the right and left panels.



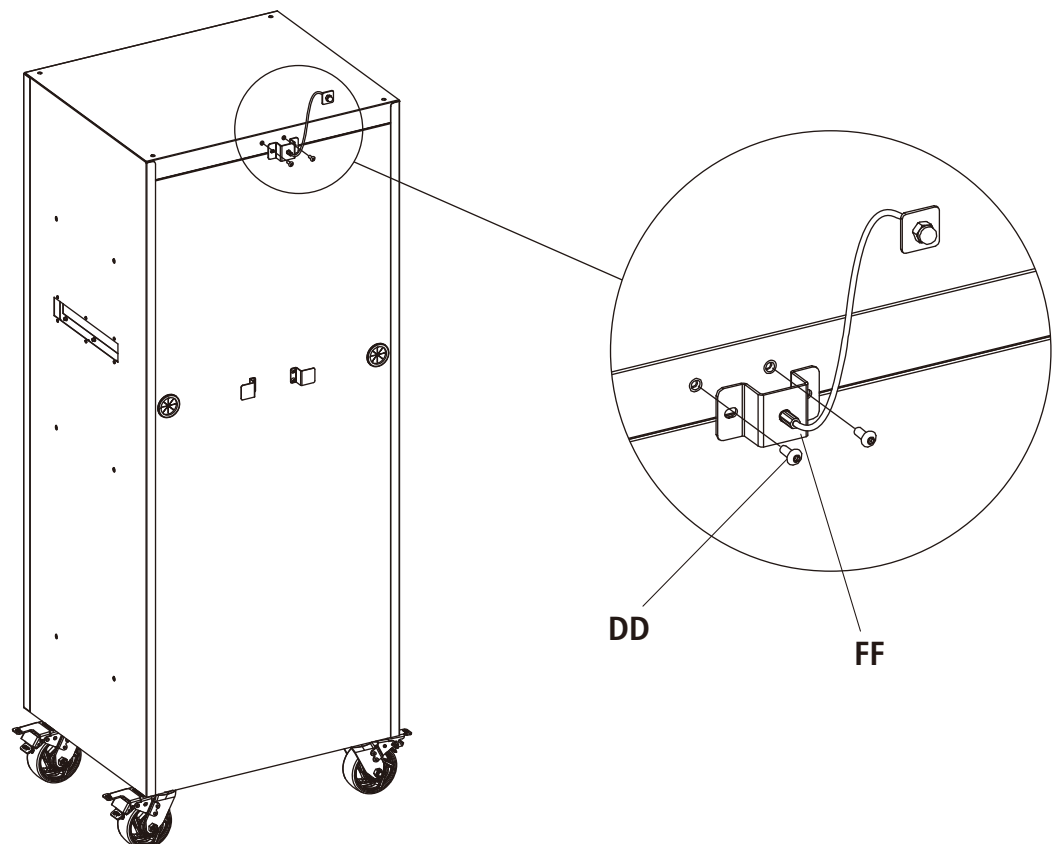


2. The locker has pre-installed closet rod inserts on the right and left panels which is suitable for closet rods up to 1.25 in. diameter (not included).

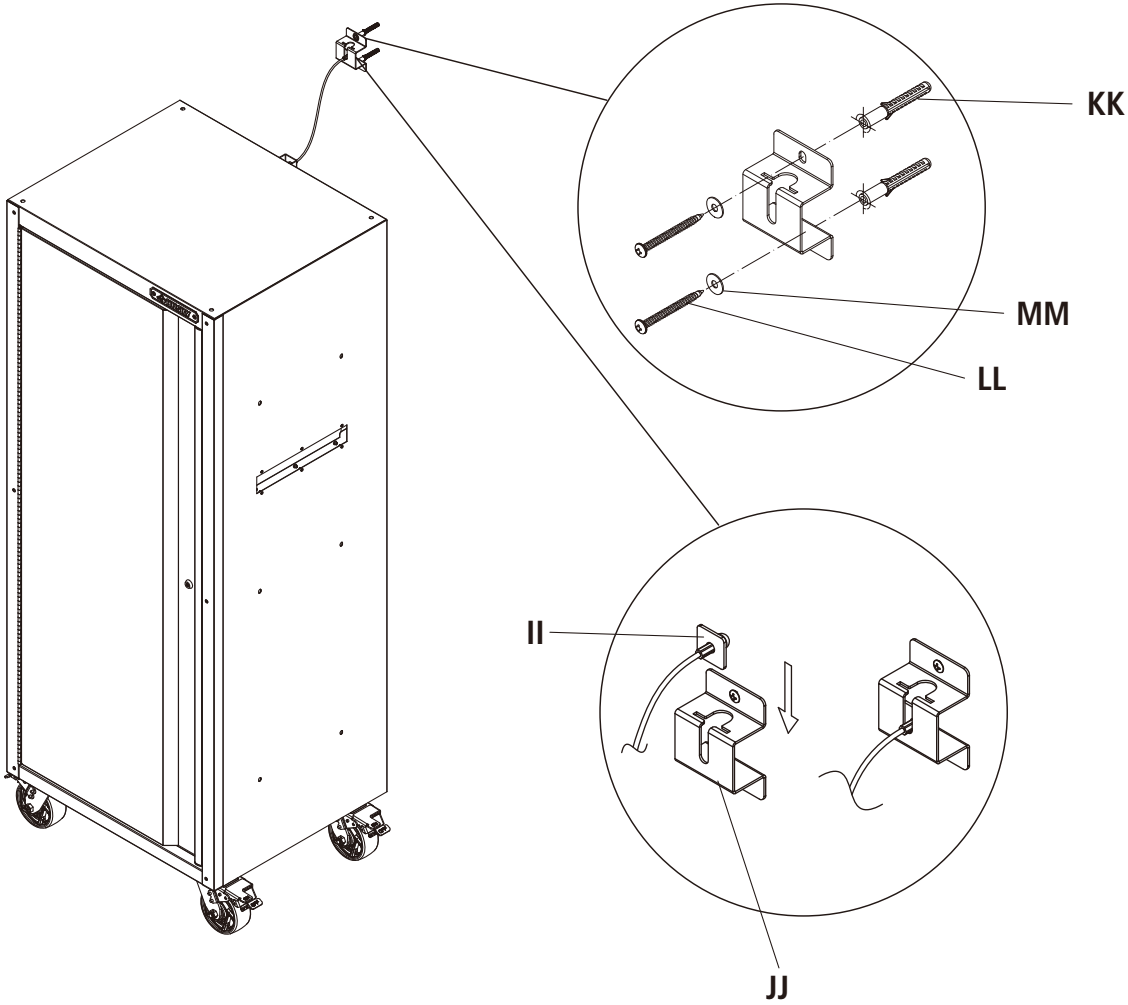


## 5 Connecting to the wall

1. Install the Locker safety bracket (FF) on the back of the Side Locker with 2 pcs Hexagon socket button cap bolts (DD).



2. Measure and mark 2 locations (two hole distance is 75mm ) for the holes on the wall into 2 wall studs and use the Wall Anchor (KK) for the third attachment. Use the ST6.3x70 Screws (LL) and Washers (MM) to attached Wall safety bracket (JJ) into the wall studs. Hang the Holder (II) to the Wall safety bracket (JJ).



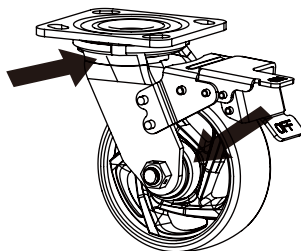
# Cordless Power Tool Battery Chargers

- See Charger's Owner's Manual for proper use and care of charger and batteries. Follow all Warnings and Instructions provided with your battery charger.
- Place chargers and electrical connections in till.
- Chargers are for use in dry locations only. Do NOT expose to liquid, vapor, or rain. Should your charger become wet, Do NOT attempt to use. Unplug extension cord from supply before handling wet charger or cords.
- Only use chargers and batteries that are intact and operating properly.
- Do NOT touch metal prongs when plugging charger into extension cord.
- Keep flammable materials like paper or rags away from charger, cords or connections.
- Do NOT place or attempt to charge lead acid, car type batteries in Side Locker.

## Maintenance

### 1 Caster maintenance

- Grease the casters annually using high-quality bearing grease.

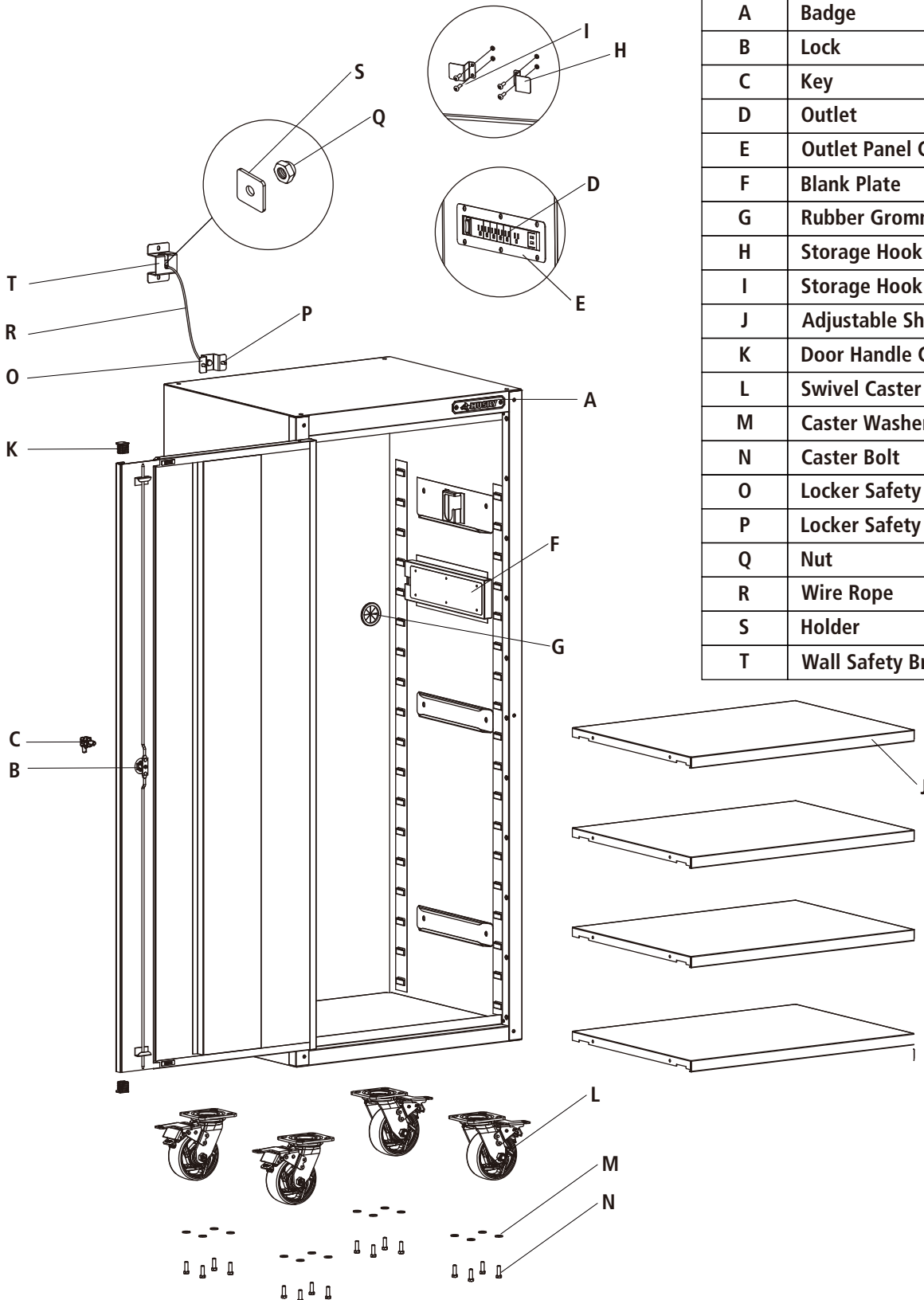


- Periodically clean the cabinet, shelves, and other surfaces with a mild detergent and water.
- Remove grease and oil with a standard nonflammable cleaning fluid.

# Replacement Parts

For assistance with replacement parts please call 1-888-HD-HUSKY.

Part	Description	Quantity
A	Badge	1
B	Lock	1
C	Key	2
D	Outlet	1
E	Outlet Panel Cover	1
F	Blank Plate	1
G	Rubber Grommet	2
H	Storage Hook	2
I	Storage Hook Bolt	4
J	Adjustable Shelf	4
K	Door Handle Cap	2
L	Swivel Caster	4
M	Caster Washer	16
N	Caster Bolt	16
O	Locker Safety Bracket	1
P	Locker Safety Bracket Bolt	2
Q	Nut	2
R	Wire Rope	1
S	Holder	1
T	Wall Safety Bracket	1





Questions, problems, missing parts? Before returning to the store call  
Husky Customer Service  
8 a.m. - 7 p.m., EST, Monday-Friday  
9 a.m. - 6 p.m., EST, Saturday

**1-888-HD-HUSKY**

**HUSKYTOOLS.COM**

Retain this manual for future use.