



## Numista™

Three-piece bathroom accessory set  
**K-R30665**

### Features

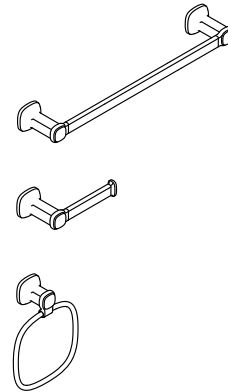
- Coordinating 24" (609 mm) towel bar, towel ring, and toilet paper holder.
- Coordinates with other products in the Numista collection.

### Material

- Premium metal construction for durability and reliability.
- KOHLER finishes resist corrosion and tarnishing.

### Installation

- Easy installation – no special tools required.



### Codes/Standards

None Applicable

### KOHLER® One-Year Limited Warranty

See website for detailed warranty information.

### Available Colors/Finishes

*Color tiles intended for reference only.*

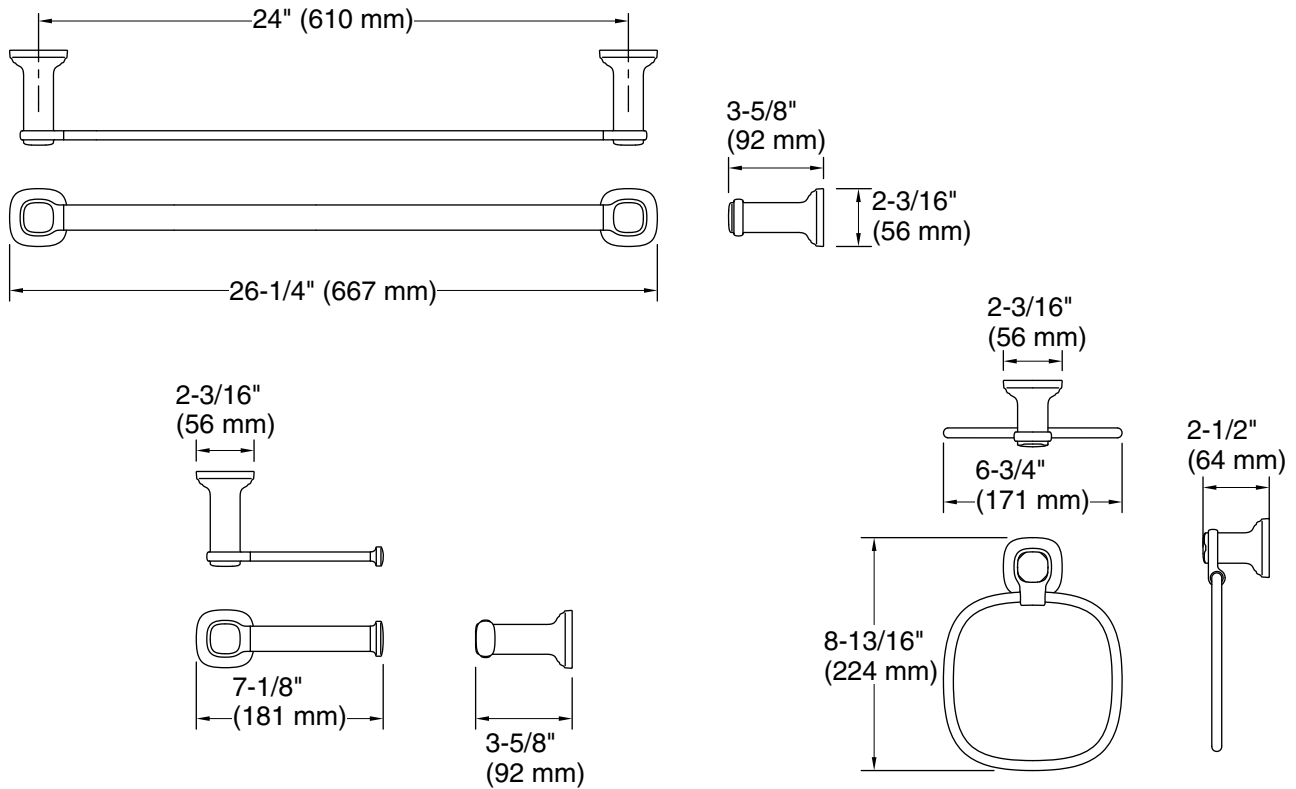
Color	Code	Description
-------	------	-------------

	CP	
--	----	--

	BN	
--	----	--

	BL	
--	----	--

	2MB	
--	-----	--



### Technical Information

All product dimensions are nominal.

Material: Zinc