

### PRODUCT SPECIFICATIONS

Elkay Burnham Fireclay 33" x 18" x 7-11/16", Double Bowl Farmhouse Sink, White. Sink is molded from fine fireclay with a durable porcelain glaze providing a finish that is non-porous and resists staining. Naturally sound deadening and Center drain placement.

<b>Installation Type:</b>	Farmhouse
<b>Material:</b>	Fireclay
<b>Finish:</b>	White (WH)
<b>Number of Bowls:</b>	2
<b>Sink Dimensions:</b>	33" x 18" x 8-1/2"
<b>Bowl 1 Dimensions:</b>	15-3/16" x 16-1/4" x 7-11/16"
<b>Bowl 2 Dimensions:</b>	15-3/16" x 16-1/4" x 7-11/16"
<b>Drain Size:</b>	3-1/2" (89mm)
<b>Drain Location:</b>	Center
<b>Minimum Cabinet Size:</b>	36"
<b>Mounting Hardware:</b>	Yes
<b>Template Included:</b>	Yes

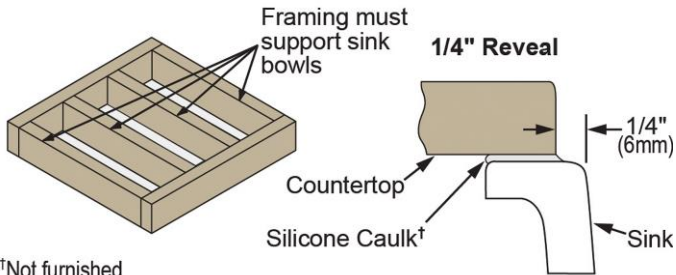
*Cutout template not included in box.*

**Special Note:** Exclusively available at The Home Depot.



White  
(WH)

### Installation Profile:



†Not furnished

*Designed to affix to the underside of any solid surface countertop.*



### AMERICAN PRIDE. A LIFETIME TRADITION.

Like your family, the Elkay family has values and traditions that endure. For almost a century, Elkay has been a family-owned and operated company, providing thousands of jobs that support our families and communities.

**Product Compliance:** ASME A112.19.2/CSA B45.1

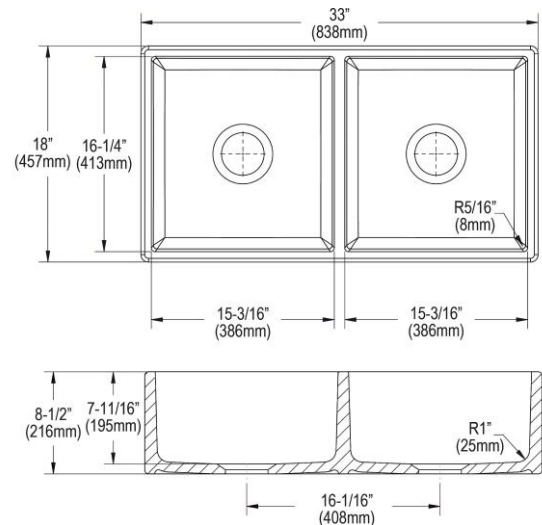


Intertek

[Clean and Care Manual \(PDF\)](#)

[Installation Instructions \(PDF\)](#)

[Warranty \(PDF\)](#)



PART: \_\_\_\_\_ QTY: \_\_\_\_\_

PROJECT: \_\_\_\_\_

CONTACT: \_\_\_\_\_

DATE: \_\_\_\_\_

NOTES: \_\_\_\_\_

APPROVAL: \_\_\_\_\_

*In keeping with our policy of continuing product improvement, Elkay reserves the right to change product specifications without notice. Please visit [elkay.com](http://elkay.com) for the most current version of Elkay product specification sheets. This specification describes an Elkay product with design, quality, and functional benefits to the user. When making a comparison of other producers' offerings, be certain these features are not overlooked.*

**OPTIONAL ACCESSORIES**

Rinsing Basket:	NO
Soap Dispenser:	NO

*In keeping with our policy of continuing product improvement, Elkay reserves the right to change product specifications without notice. Please visit [elkay.com](http://elkay.com) for the most current version of Elkay product specification sheets. This specification describes an Elkay product with design, quality, and functional benefits to the user. When making a comparison of other producers' offerings, be certain these features are not overlooked.*