

HANDSHOWER CRADLE K-98771

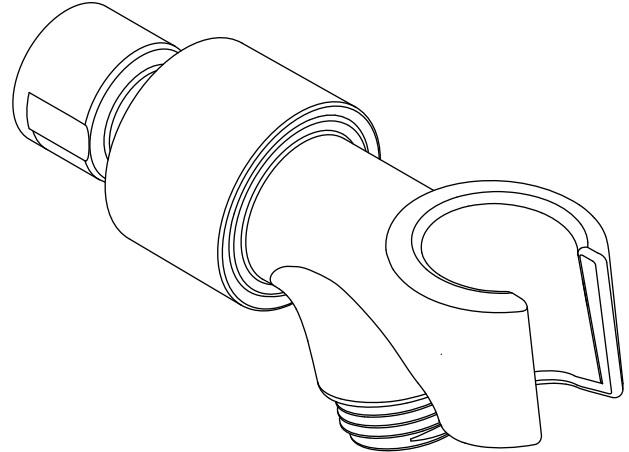
Features

- Easily mounts on the shower arm
- Fits most standard handshower hoses and handshowers
- Pivots to angle the handshower
- Corrosion resistant finish
- Lifetime warranty
- 4-3/8" (111 mm) x 1-3/8" (35 mm)

Codes/Standards Applicable

Specified model meets or exceeds the following:

- ASME A112.18.1/CSA B125.1



Colors/Finishes

- CP: Polished Chrome
- Other: Refer to Price Book for additional colors/finishes

Specified Model

Model	Description	Colors/Finishes	
K-98771	Handshower cradle	<input type="checkbox"/> CP	<input type="checkbox"/> Other_____

Product Specification:

Shall easily mount on the shower arm and fit most standard handshower hoses and handshowers. The handshower cradle shall pivot to angle the handshower and be corrosion resistant. The handshower cradle shall have a lifetime warranty and be shall be 4-3/8" (111 mm) x 1-3/8" (35 mm). Handshower cradle shall be Kohler Model K-98771-_____.

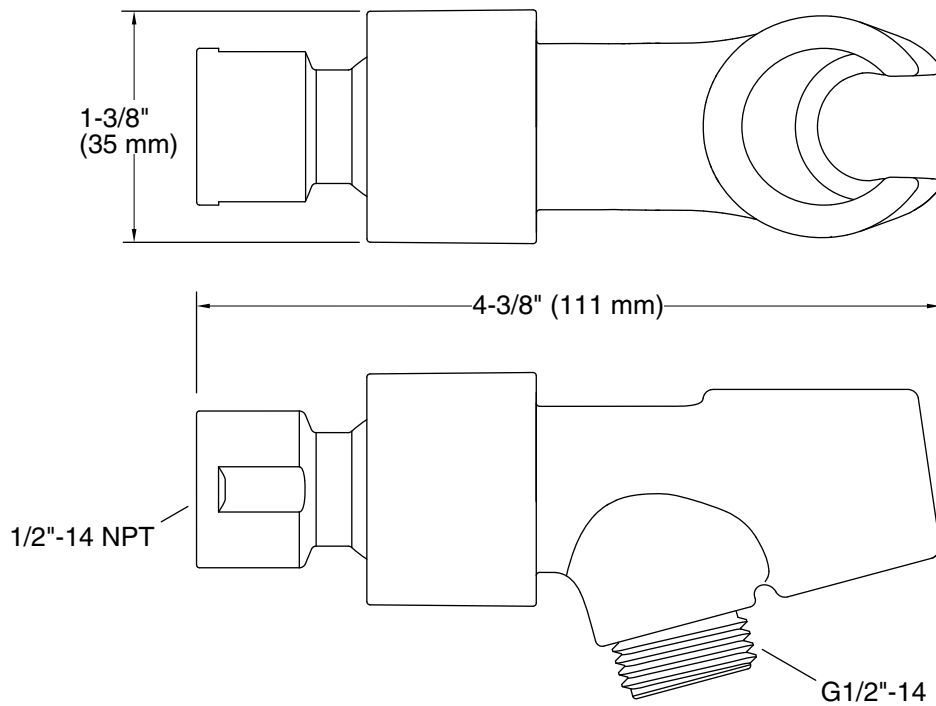
AWAKEN™

Technical Information

Applicable product:	
Handshower cradle	K-98771

Installation Notes

Install this product according to the installation guide.



Product Diagram