

# SETUP & OPERATION MANUAL

## FEATURES

Sturdy welded steel frame & precision-balanced wheels with replaceable tires.

Easy-to-assemble open-based steel stand.

Precision blade guide bearings included.

Miter gauge with auxiliary aluminum crosscut fence included.

Quick-release blade tension for fast blade changes.

Hinged doors and easily accessible blade tension knob, for fast blade changes and adjustments.

Large stable cast-iron table with slide-out steel extension wing.

Includes goose-neck style worklight.

Smooth running durable 1/3 HP motor.

Convenient blade tracking window.

Safety lock-out switch with removable key to prevent unauthorized use.

Multi-size dust port fits 4", 3", or 2" hose.

## SPECIFICATIONS

- Wheel size  
10" (254 mm)
- Wheel speed  
1134 rpm
- Blade speed  
2920 lin. fpm
- Maximum blade width  
1/2" (12 mm)
- Minimum blade width  
1/8" (3 mm)
- Blade length  
67 1/2" (1712 mm)
- Table size  
13 3/8" x 13 1/8" (340 x 335 mm)
- Table tilt  
0° to 45° (right)
- Table height  
42" (1067 mm)
- Maximum width of cut  
9 5/8" (245 mm)
- Maximum depth of cut  
4 1/16" (103 mm)
- Dust port  
4", 3" and 2" (102, 76 or 51mm)
- Base dimensions (l x w)  
15 1/2" x 12 1/2" (395 x 310 mm)
- Motor  
1/3 HP, 120 V, 3.3 A
- Weight  
80 lbs (36 kg)

## 10" WOOD CUTTING BANDSAW



# MODEL #90-030





**GENERAL® INTERNATIONAL**

8360 Champ-d'Eau, Montreal (Quebec) Canada H1P 1Y3  
Telephone (514) 326-1161 • Fax (514) 326-5555 • [www.general.ca](http://www.general.ca)

**THANK YOU** for choosing this General® International model 90-030 10" Wood Cutting Bandsaw. This bandsaw has been carefully tested and inspected before shipment and if properly used and maintained, will provide you with years of reliable service. For your safety, as well as to ensure optimum performance and trouble-free operation, and to get the most from your investment, please take the time to read this manual before assembling, installing and operating the unit.

The manual's purpose is to familiarize you with the safe operation, basic function, and features of this bandsaw as well as the set-up, maintenance and identification of its parts and components. This manual is not intended as a substitute for formal woodworking instruction, nor to offer the user instruction in the craft of woodworking. If you are not sure about the safety of performing a certain operation or procedure, do not proceed until you can confirm, from knowledgeable and qualified sources, that it is safe to do so.

Once you've read through these instructions, keep this manual handy for future reference.

---

**DISCLAIMER:** The information and specifications in this manual pertain to the unit as it was supplied from the factory at the time of printing. Because we are committed to making constant improvements, General® International reserves the right to make changes to components, parts or features of this unit as deemed necessary, without prior notice and without obligation to install any such changes on previously delivered units. Reasonable care is taken at the factory to ensure that the specifications and information in this manual corresponds with that of the unit with which it

was supplied. However, special orders and "after factory" modifications may render some or all information in this manual inapplicable to your machine. Further, as several generations of this model of wood cutting Bandsaw and several versions of this manual may be in circulation, if you own an earlier or later version of this unit, this manual may not depict your unit exactly. If you have any doubts or questions contact your retailer or our support line with the model and serial number of your unit for clarification.

---

# GENERAL® INTERNATIONAL WARRANTY

All component parts of General® International and Excalibur by General International® products are carefully inspected during all stages of production and each unit is thoroughly inspected upon completion of assembly.

## **Limited Lifetime Warranty**

Because of our commitment to quality and customer satisfaction, General® International agrees to repair or replace any part or component which upon examination, proves to be defective in either workmanship or material to the original purchaser for the life of the tool. However, the Limited Lifetime Warranty does not cover any product used for professional or commercial production purposes nor for industrial or educational applications. Such cases are covered by our Standard 2-year Limited Warranty only. The Limited Lifetime Warranty is also subject to the "Conditions and Exceptions" as listed below.

## **Standard 2-Year Limited Warranty**

All products not covered by our lifetime warranty including products used in commercial, industrial and educational applications are warranted for a period of 2 years (24 months) from the date of purchase. General® International agrees to repair or replace any part or component which upon examination, proves to be defective in either workmanship or material to the original purchaser during this 2-year warranty period, subject to the "conditions and exceptions" as listed below.

## **To file a Claim**

To file a claim under our Standard 2-year Limited Warranty or under our Limited Lifetime Warranty, all defective parts, components or machinery must be returned freight or postage prepaid to General® International, or to a nearby distributor, repair center or other location designated by General® International. For further details call our service department at 1-888-949-1161 or your local distributor for assistance when filing your claim.

Along with the return of the product being claimed for warranty, a copy of the original proof of purchase and a "letter of claim" must be included (a warranty claim form can also be used and can be obtained, upon request, from General® International or an authorized distributor) clearly stating the model and serial number of the unit (if applicable) and including an explanation of the complaint or presumed defect in material or workmanship.

## **CONDITIONS AND EXCEPTIONS:**

This coverage is extended to the original purchaser only. Prior warranty registration is not required but documented proof of purchase i.e. a copy of original sales invoice or receipt showing the date and location of the purchase as well as the purchase price paid, must be provided at the time of claim.

Warranty does not include failures, breakage or defects deemed after inspection by General® International to have been directly or indirectly caused by or resulting from; improper use, or lack of or improper maintenance, misuse or abuse, negligence, accidents, damage in handling or transport, or normal wear and tear of any generally considered consumable parts or components.

***Repairs made without the written consent of General® International will void all warranty.***

# TABLE OF CONTENTS

<b>Rules for safe operation</b> .....	<b>5</b>
<b>Electrical requirements</b> .....	<b>6</b>
Grounding instructions.....	6
Circuit capacity .....	6
Extension cords .....	6
<b>Identification of main parts and components</b> .....	<b>7</b>
<b>Unpacking</b> .....	<b>8</b>
<b>Basic functions</b> .....	<b>9</b>
<b>Cleaning</b> .....	<b>9</b>
<b>Placement within the shop / Safety zone</b> .....	<b>9</b>
<b>Assembly instructions</b> .....	<b>10-12</b>
Assembling the stand.....	10
Attaching the machine to stand.....	11
Installing the table and the 90° stop .....	11-12
Installing the rip fence.....	12
<b>Basic adjustments &amp; controls</b> .....	<b>13-18</b>
Connecting to a power source.....	13
On/Off power switch.....	13
Choosing and changing blades.....	13-15
Adjusting the blade tension .....	15
Adjusting the blade tracking.....	15-16
Adjusting the upper blade guides .....	17
Adjusting the lower blade guides.....	17
Adjusting the upper thrust guide .....	17
Adjusting the lower thrust guide .....	18
Adjusting the upper blade guard .....	18
<b>Operating Instructions</b> .....	<b>18-20</b>
Checklist before starting .....	18
Connecting to a dust collector.....	19
Cutting curves .....	19
Cutting circles.....	19
Using the miter gauge.....	20
<b>Maintenance</b> .....	<b>20-21</b>
Cleaning .....	20
Wheel tires.....	20
Motor .....	20
Lubrication.....	20
Changing the belt and aligning the pulleys.....	21
<b>Parts list &amp; diagram</b> .....	<b>22-24</b>
<b>Contact information</b> .....	<b>26</b>

# RULES FOR SAFE OPERATION

To help ensure safe operation, please take a moment to learn the machine's applications and limitations, as well as potential hazards. General® International disclaims any real or implied warranty and hold itself harmless for any injury that may result from the improper use of its equipment.

1. Do not operate the bandsaw when tired, distracted or under the effects of drugs, alcohol or any medication that impairs reflexes or alertness.
2. The work area should be well lit, clean and free of debris.
3. Keep children and visitors at a safe distance when the bandsaw is in operation; do not permit them to operate the bandsaw.
4. Childproof and tamper proof your shop and all machinery with locks, master electrical switches and switch keys, to prevent unauthorized or unsupervised use.
5. STAY ALERT! Give your work your undivided attention. Even a momentary distraction can lead to serious injury.
6. Fine particulate dust is a carcinogen that can be hazardous to health. Work in a well-ventilated area. Wear face, eye, ear, respiratory and body protection devices.
7. Do not wear loose clothing, gloves, bracelets, necklaces or other jewelry while the bandsaw is in operation.
8. Be sure that adjusting wrenches, tools, drinks and other clutter are removed from the machine and/or the table surface before operating.
9. Keep hands well away from the blade and all moving parts. Use a brush, not hands, to clear away chips and dust.
10. Adjust and position the blade guard as close as possible to the workpiece.
11. Adjust blade tension and tracking before starting to cut.
12. Blade teeth must point down toward the table.
13. Be sure that the blade has gained full operating speed before starting to cut.
14. Always use a clean, properly sharpened blade. Dirty or dull blades are unsafe and can lead to accidents.
15. Use suitable workpiece support if the workpiece does not have a flat surface.
16. Do not work on long stock without adequate support on the out feed end of the table.
17. Do not push or force stock into the blade. The bandsaw will perform better and more safely when working at the rate for which it was designed.
18. Avoid working from awkward or off balance positions. Do not overreach and keep both feet on floor.
19. Keep guards in place and in working order. If a guard must be removed for maintenance or cleaning be sure it is properly re-attached before using the saw again.
20. Never leave the machine unattended while it is running or with the power on.
21. Use of parts and accessories NOT recommended by **General® International** may result in equipment malfunction or risk of injury.
22. Never stand on machinery. Serious injury could result if the tool is tipped over or if the blade is unintentionally contacted.
23. Always disconnect the saw from the power source before servicing or changing accessories such as blades, or before performing any maintenance or cleaning, or if the machine will be left unattended.
24. Make sure that the switch is in the "OFF" position before plugging in the power cord.
25. Make sure the machine is properly grounded. If equipped with a 3-prong plug it should be used with a three-pole receptacle. Never remove the third prong.
26. Do not use this bandsaw for other than its intended use. If used for other purposes, **General® International** disclaims any real or implied warranty and holds itself harmless for any injury, which may result from that use.



# ELECTRICAL REQUIREMENTS



**BEFORE CONNECTING THE MACHINE TO THE POWER SOURCE, VERIFY THAT THE VOLTAGE OF YOUR POWER SUPPLY CORRESPONDS WITH THE VOLTAGE SPECIFIED ON THE MOTOR I.D. NAMEPLATE. A POWER SOURCE WITH GREATER VOLTAGE THAN NEEDED CAN RESULT IN SERIOUS INJURY TO THE USER AS WELL AS DAMAGE TO THE MACHINE. IF IN DOUBT, CONTACT A QUALIFIED ELECTRICIAN BEFORE CONNECTING TO THE POWER SOURCE.**

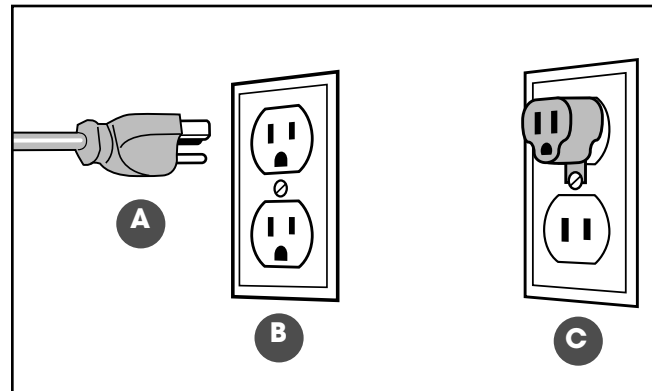
**THIS TOOL IS FOR INDOOR USE ONLY. DO NOT EXPOSE TO RAIN OR USE IN WET OR DAMP LOCATIONS.**

## GROUNDING INSTRUCTIONS

In the event of an electrical malfunction or short circuit, grounding reduces the risk of electric shock. The motor of this machine is wired for 120 V single phase operation and is equipped with a 3-conductor cord and a 3-prong grounding plug **A** to fit a grounded type receptacle **B**.

Do not remove the 3rd prong (grounding pin) to make it fit into an old 2-hole wall socket or extension cord. If an adaptor plug is used **C**, it must be attached to the metal screw of the receptacle.

**Note: The use of an adaptor plug is illegal in some areas. Check your local codes. If you have any doubts or if the supplied plug does not correspond to your electrical outlet, consult a qualified electrician before proceeding.**



## CIRCUIT CAPACITY

Make sure that the wires in your circuit are capable of handling the amperage draw from your machine, as well as any other machines that could be operating on the same circuit.

If you are unsure, consult a qualified electrician. If the circuit breaker trips or the fuse blows regularly, your machine may be operating on a circuit that is close to its amperage draw capacity. However, if an unusual amperage draw does not exist and a power failure still occurs, contact a qualified technician or our service department.

## EXTENSION CORDS

If you find it necessary to use an extension cord with your machine, use only 3-wire extension cords that have 3-prong grounding plug and a matching 3-pole receptacle that accepts the tool's plug. Repair or replace a damaged extension cord or plug immediately. Make sure the cord rating is suitable for the amperage listed on the motor I.D. plate.

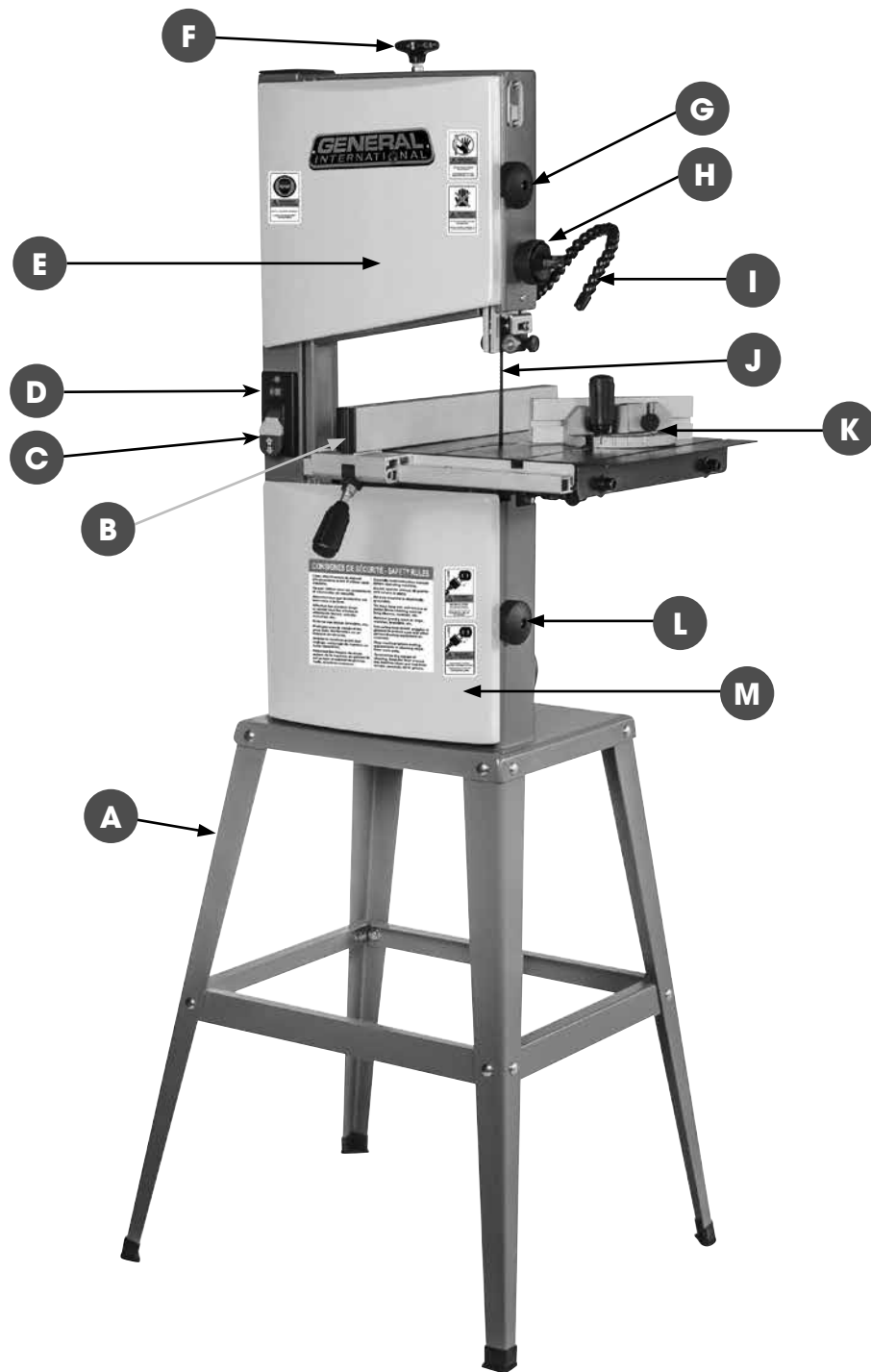
An undersized cord will cause a drop in line voltage resulting in loss of power and overheating. The accompanying chart shows the correct size extension cord to be used based on cord length and motor I.D. plate amp rating. If in doubt, use the next heavier gauge. The smaller the number, the heavier the gauge.

**TABLE - MINIMUM GAUGE FOR CORD**

EXTENSION CORD LENGTH				
AMPERES	50 feet	100 feet	200 feet	300 feet
< 5	18	16	16	14
6 to 10	18	16	14	12
10 to 12	16	16	14	12
12 to 16	14	12	*NR	*NR

\*NR = Not Recommended

# IDENTIFICATION OF MAIN PARTS AND COMPONENTS



- A. STAND
- B. RIP FENCE
- C. ON/OFF SWITCH WITH REMOVABLE KEY
- D. WORKLIGHT SWITCH
- E. UPPER WHEEL DOOR
- F. BLADE TENSION KNOB
- G. UPPER DOOR LOCK KNOB

- H. BLADE GUARD LOCK KNOB
- I. WORKLIGHT
- J. BLADE
- K. MITER GAUGE
- L. LOWER DOOR LOCK KNOB
- M. LOWER WHEEL DOOR

# UNPACKING

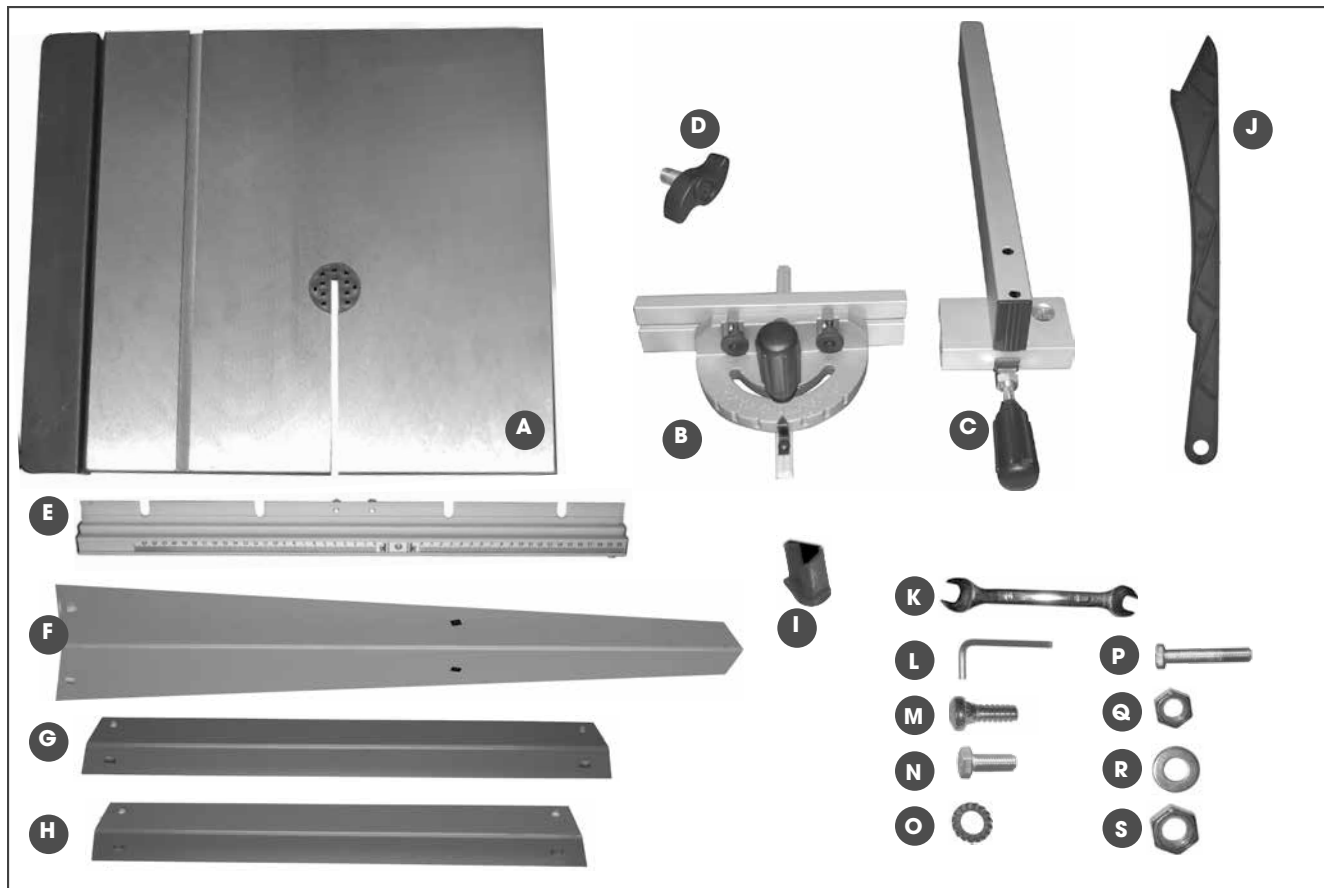
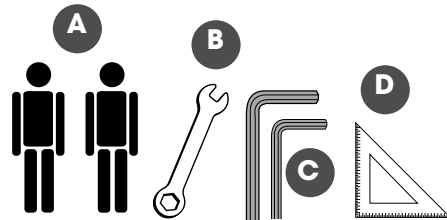
Carefully unpack and remove the unit and its components from the box and check for missing or damaged items as per the list of contents below.

**NOTE: PLEASE REPORT ANY DAMAGED OR MISSING ITEMS TO YOUR GENERAL® INTERNATIONAL DISTRIBUTOR IMMEDIATELY.**

LIST OF CONTENTS	QTY
A. WORK TABLE .....	1
B. MITER GAUGE .....	1
C. RIP FENCE .....	1
D. LOCK KNOB.....	4
E. FENCE RAIL .....	1
F. SUPPORT LEG .....	4
G. CROSS BRACE (LONG) .....	2
H. CROSS BRACE (SHORT).....	2
I. STAND RUBBER FOOT.....	4
J. PUSH STICK.....	1
K. 10 & 13 MM WRENCH .....	1
L. 3 MM ALLEN KEY .....	1
M. CARRIAGE BOLT.....	16
N. HEXAGONAL BOLT (M6X12).....	4
O. LOCK WASHER.....	4
P. HEX BOLT (M6X30) .....	1
Q. NUT .....	1
R. WASHER.....	20
S. NUT.....	16

## ADDITIONAL REQUIREMENTS FOR SET UP

- A. 2 EXTRA PEOPLE FOR HELP WITH LIFTING
- B. 14 MM WRENCH
- C. 3 & 5 MM ALLEN KEYS
- D. SQUARE





# BASIC FUNCTIONS

This 10" Wood Cutting Bandsaw is supplied with a 1/2" general purpose blade and is designed to accommodate blade widths from 1/8" to 1/2". Ideal blade length for this model 90-030 is 67 1/2" (1712 mm). **Note: Generally speaking, because the upper wheel height is somewhat adjustable (to allow for blade tensioning), a blade length variation of plus or minus 1/4" from the "ideal blade length" can be accommodated.**

Maximum inboard width of cut is 10". For cutting thicker stock or for resawing, the maximum depth of cut (or max. workpiece height) is 4 1/8". An adjustable rip fence is supplied to serve as a straightedge to guide the workpiece for longer rip cuts. The fence can easily be removed and set aside when not required, for example when making curved cuts.

## CLEANING

The protective coating on the saw table prevents rust from forming during shipping and storage. Remove it by rubbing with a rag dipped in kerosene, mineral spirits or paint thinner. (Dispose of potentially flammable solvent-soaked rags according to manufacturer's safety recommendations).

A putty knife, held flat to avoid scratching the surface, may also be used to scrape off the coating followed by clean-up with solvent. Avoid rubbing the saw's painted surfaces, as many solvent-based products will remove paint.

To prevent rust, apply a light coating of paste wax or use regular applications of any after-market surface protectant or rust inhibitor.



**TIP: WITH A SCREW DRIVER, PUSH A SOLVENT-SATURATED RAG INTO THE T-SLOTS TO REMOVE THE GREASE.**

## PLACEMENT WITHIN THE SHOP / SAFETY ZONE

### PLACEMENT WITHIN THE SHOP

This machine should be installed and operated only on a solid, flat and stable floor that is able to support the weight of the machine (80 lbs - 36 kg) and the operator.

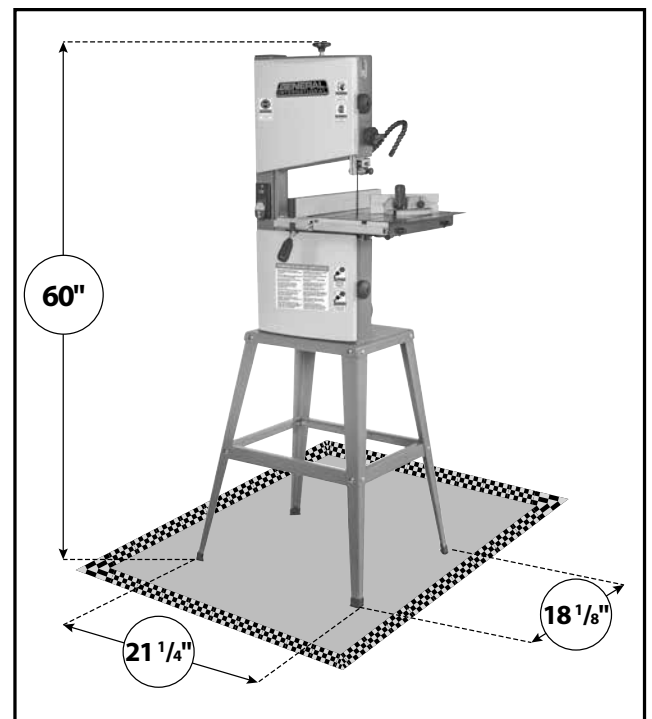
Using the dimensions shown as a guideline, plan for placement within your shop that will allow the operator to work unencumbered and unobstructed by foot traffic (either passing shop visitors or other shop workers) or other tools or machinery.

### ESTABLISHING A SAFETY ZONE

For shops with frequent visitors or multiple operators, it is advisable to establish a safety zone around shop machinery. A clearly defined "no-go" zone on the floor around each machine can help avoid accidents that could cause injury to either the operator or the shop visitor.

It is advisable to take a few moments to either paint (using non-slip paint) or using tape, define on the floor the limits or perimeter of each machine's safety zone.

Take steps to ensure that all operators and shop visitors are aware that these areas are off limits whenever a machine is running for everyone but the individual operating the unit.

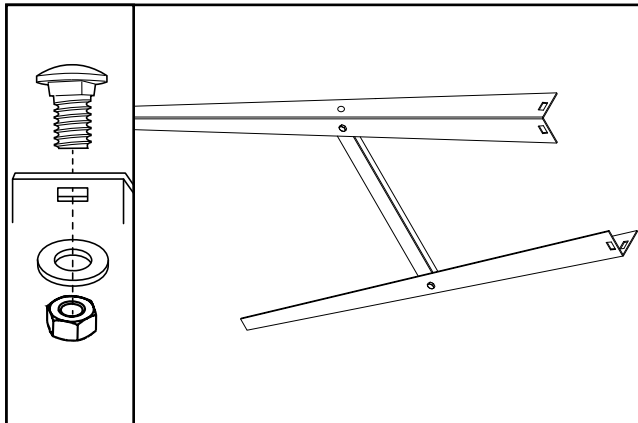


# ASSEMBLY INSTRUCTIONS



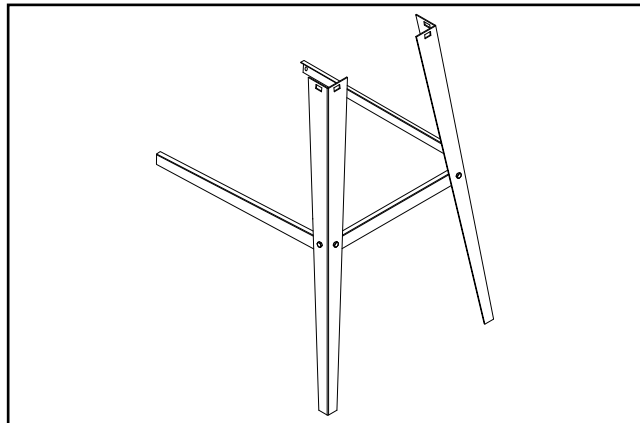
BEFORE ASSEMBLING, MAKE SURE THAT THE SWITCH IS IN THE "OFF" POSITION AND THAT THE POWER CORD IS UNPLUGGED. DO NOT PLUG IN OR TURN ON THE MACHINE UNTIL YOU HAVE COMPLETED THE ASSEMBLY AND INSTALLATION STEPS DESCRIBED IN THIS SECTION OF THE MANUAL.

## ASSEMBLING THE STAND



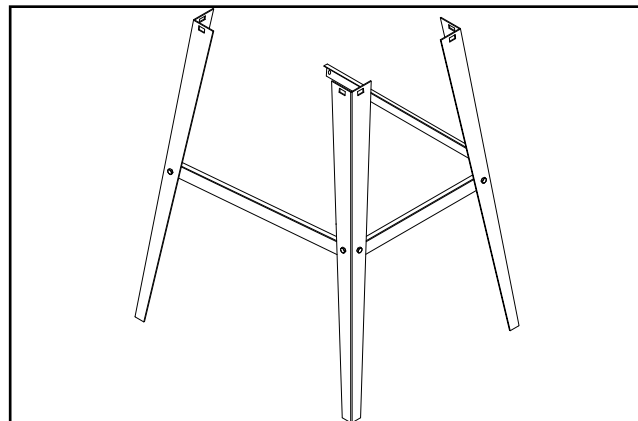
1. Attach two stand legs and a small cross brace using the carriage bolts, flat washers and nuts.

**Note: Tighten the nuts by hand only.**



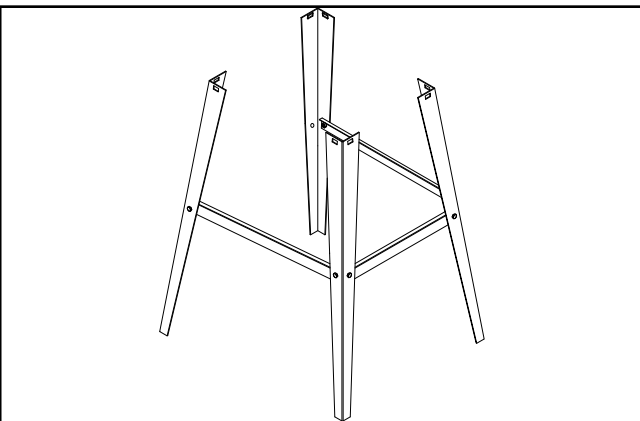
2. Repeat with the two longer cross braces as shown.

**Note: Tighten the nuts by hand only.**

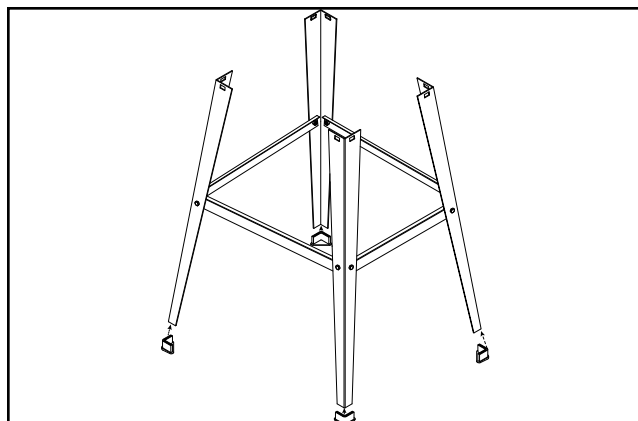


3. Attach a third stand leg using the carriage bolts, flat washers and nuts.

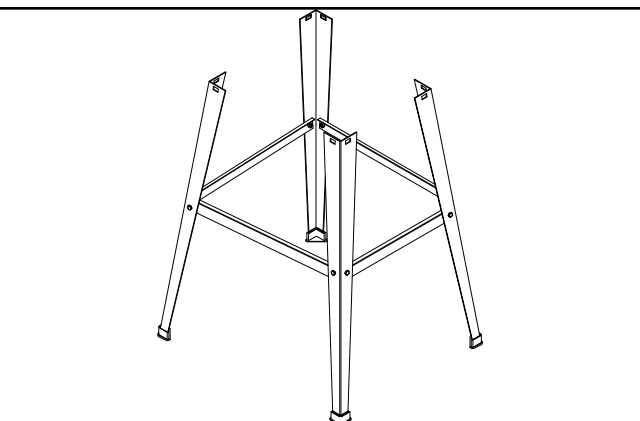
**Note: Tighten the nuts by hand only.**



4. Repeat with the last leg. Secure the four cross braces tightening the bolts, flat washers and the nuts with a 13 mm wrench.



5. Slide a rubber foot on each leg.



6. Place the assembled stand upright on a flat surface.

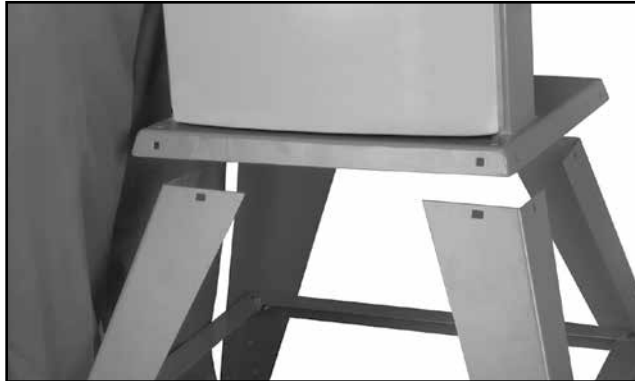


**BEFORE ASSEMBLING, MAKE SURE THAT THE SWITCH IS IN THE "OFF" POSITION AND THAT THE POWER CORD IS UNPLUGGED. DO NOT PLUG IN OR TURN ON THE MACHINE UNTIL YOU HAVE COMPLETED THE ASSEMBLY AND INSTALLATION STEPS DESCRIBED IN THIS SECTION OF THE MANUAL.**

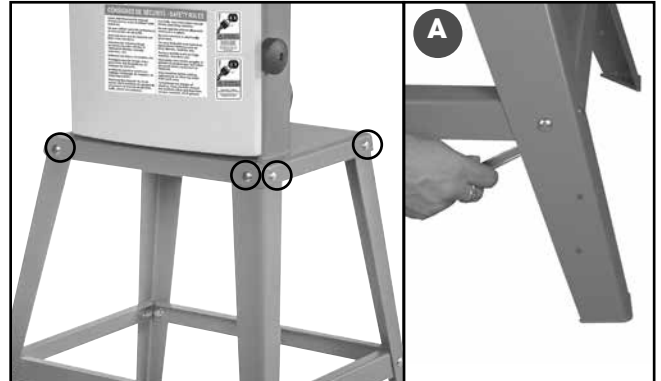
### **ATTACHING THE MACHINE TO STAND**



**THE BANDSAW IS HEAVY. DO NOT OVER-EXERT. THE HELP OF ASSISTANTS WILL BE NEEDED FOR THE FOLLOWING STEP. DO NOT GRIP THE BANDSAW BY THE LOWER WHEEL COVER DOOR WHEN LIFTING. KEEP HANDS AWAY FROM BLADE AT ALL TIMES.**

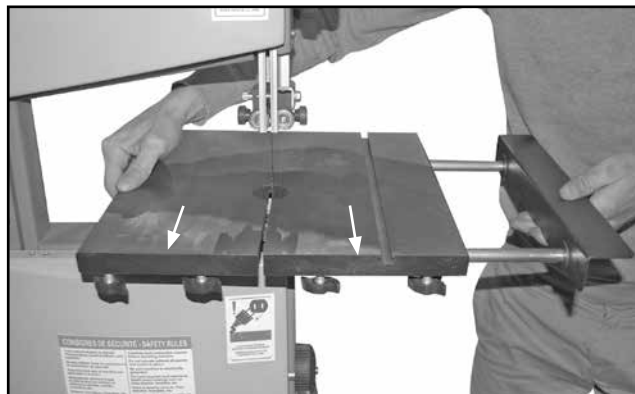


**1.** Place the machine on the stand with the help of two assistants.

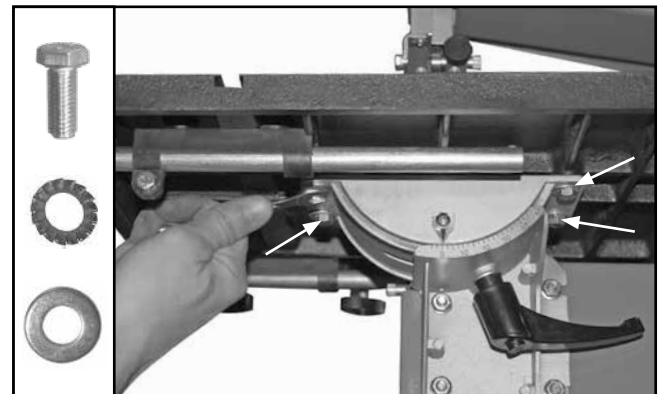


**2.** Secure the machine to the stand using carriage bolts, flat washers, nuts, and a 13 mm wrench, and tighten all the stand mounting nuts **A**.

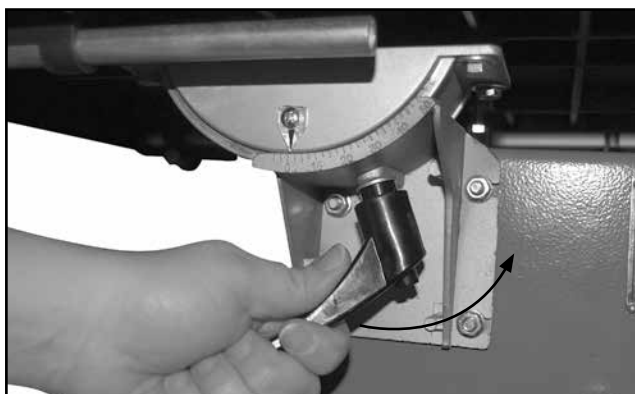
### **INSTALLING THE TABLE AND THE 90° STOP**



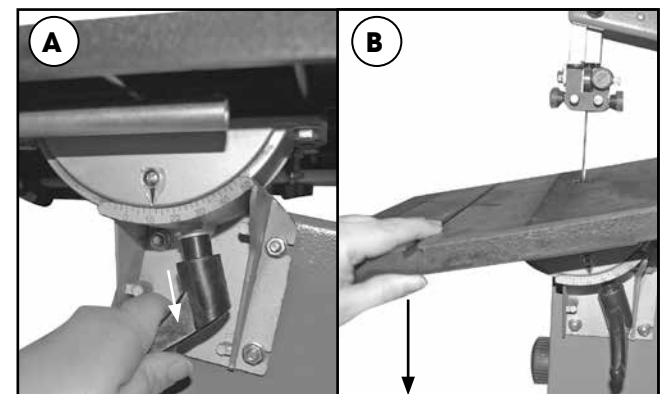
**1.** Install the table on its base by guiding the blade through the table slot as shown.



**2.** Using a 10 mm wrench, secure the table to its base by tightening the four supplied cap screws and four flat washers,



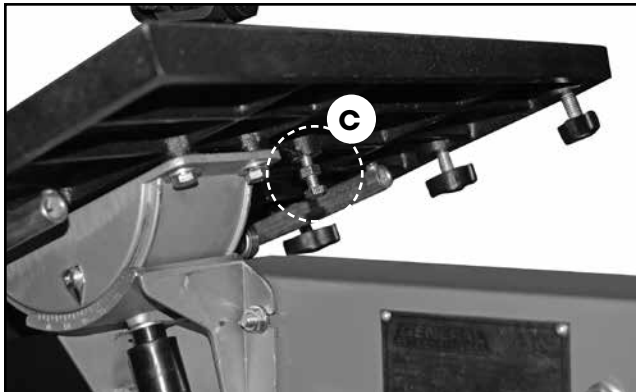
**3.** Loosen the table by turning the lock lever counter-clockwise.



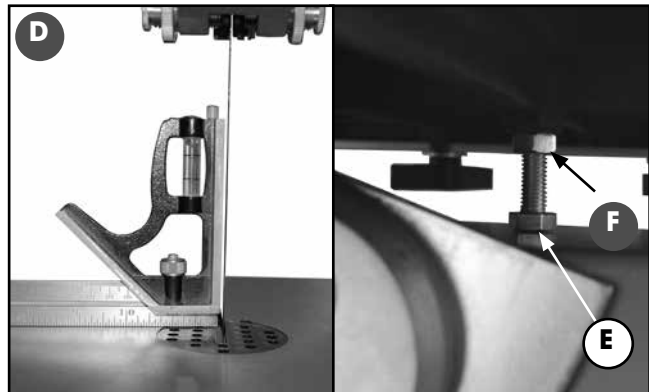
**4.** Pull on the lever **A** and press down on the table to tilt it, in order to install the stop bolt.



BEFORE ASSEMBLING, MAKE SURE THAT THE SWITCH IS IN THE "OFF" POSITION AND THAT THE POWER CORD IS UNPLUGGED. DO NOT PLUG IN OR TURN ON THE MACHINE UNTIL YOU HAVE COMPLETED THE ASSEMBLY AND INSTALLATION STEPS DESCRIBED IN THIS SECTION OF THE MANUAL.

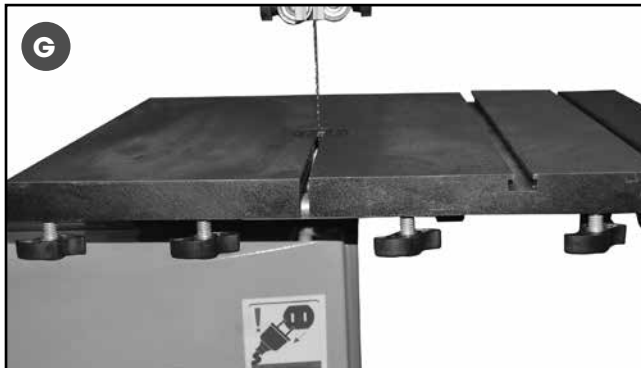


5. Screw the table stop bolt with jam nut in the mounting hole **C** under the table, and then set the table in the horizontal position by hand.

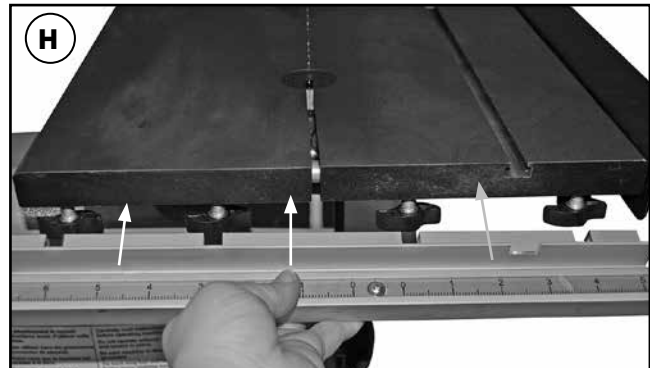


6. Place a combination square on the table against the blade **D**, and adjust the table until there is no space between the square and the blade. Tighten the lock lever. Loosen the table bolt until its head touches the machine **E**, and then tighten the jam nut **F**.

### INSTALLING THE RIP FENCE



1. Loosely screw the four lock knobs in the mounting holes in the underside of the table as shown.



2. Fit the rail onto the lock knobs as shown.



3. Secure the rail in place by tightening the lock knobs.



4. Push down on the handle and place the fence on the rail.

# BASIC ADJUSTMENTS & CONTROLS



**TO REDUCE THE RISK OF SHOCK OR FIRE DO NOT OPERATE THE UNIT WITH A DAMAGED POWER CORD OR PLUG. REPLACE DAMAGED CORD OR PLUG IMMEDIATELY. TO AVOID UNEXPECTED OR UNINTENTIONAL START-UP, MAKE SURE THE POWER SWITCH IS IN THE OFF POSITION BEFORE CONNECTING TO A POWER SOURCE.**

## CONNECTING TO A POWER SOURCE

Once the assembly steps have been completed, plug the power cord into an appropriate outlet.

Refer back to the section entitled “Electrical Requirements” and make sure all requirements and grounding instructions are followed. When operations have been completed unplug the saw from the power source.

## ON/OFF POWER SWITCH

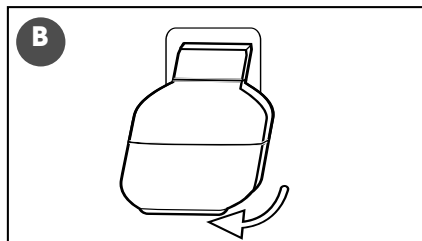
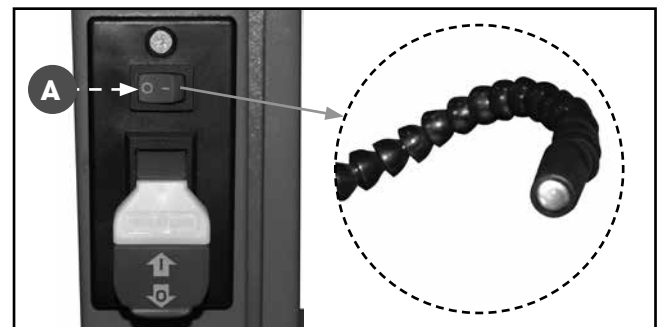
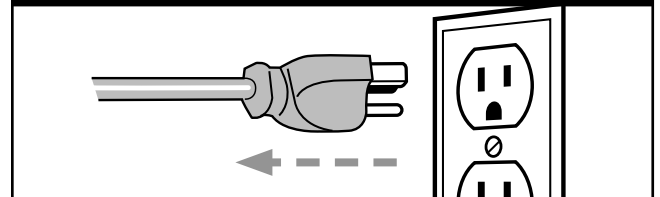
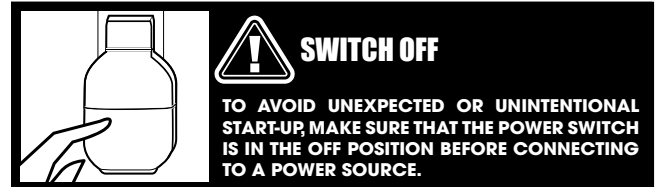
The bandsaw is equipped with a work lamp fixed to the frame, the switch is positioned above the ON / OFF rocker switch **A**.

The bandsaw is equipped with a rocker type ON/OFF switch that is equipped with a lock-out key.

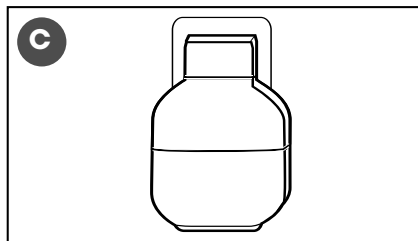
To prevent unwanted or unauthorized start-up or usage remove the lock-out key **D** and store it in a safe place.

To start the bandsaw, insert the lock-out key and pull up on the switch **B**.

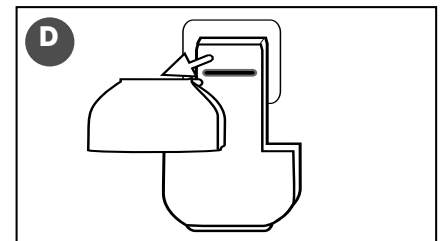
To stop the bandsaw, push down on the switch **C**. When the saw comes to a complete stop, remove the lock-out key **D** by gently pulling it outward.



POWER ON



POWER OFF



LOCK-OUT KEY  
(PREVENTS START-UP WHEN REMOVED)

## CHOOSING AND CHANGING THE BLADE

There are a variety of different types of bandsaw blades on the market to suit various cutting applications. The accompanying “Blade Selection” chart provides a general reference tool; your results may vary based on usage, experience and personal preference. Ask your local tool dealer for suggestions for 67 1/2” bandsaw blades in 1/8” to 1/2” widths, based on what is available in your area.

Some general guidelines to consider when choosing bandsaw blades:

Wider blades with coarse teeth are best suited to cutting straight lines, re-sawing and for sweeping curves, but will not turn tight corners. They will cut quickly and aggressively but do have a tendency to bind (get stuck in the cut) if turned to sharply. Narrower, thinner blades with finer teeth will cut more slowly but can turn much tighter corners for cutting more intricate work.

BLADE SELECTION	
OPERATION	RECOMMENDED BLADE
CROSS CUTTING	1/4", 3/8", 1/2"
MITERING	1/4", 3/8", 1/2"
BEVELING	1/4", 3/8", 1/2"
COMPOUND CUTTING	1/4", 3/8", 1/2"
CIRCLE CUTTING	See cutting circles
CURVE CUTTING	1/8", 1/4"

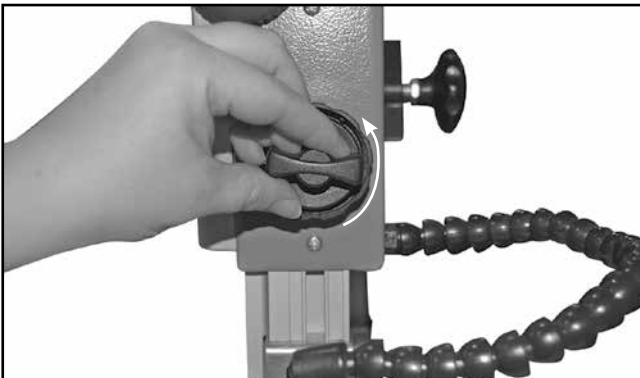
Common causes of blade breakage:

- Poor blade guide alignment and adjustment.
- Forcing or twisting a wide blade around a short radius.
- Feeding the workpiece too quickly.
- Dull teeth.
- Too much blade tension.
- Setting the blade guard too high above the workpiece.
- Lumpy or improperly finished braze or weld on the blade.
- Continuous running blade when not cutting.

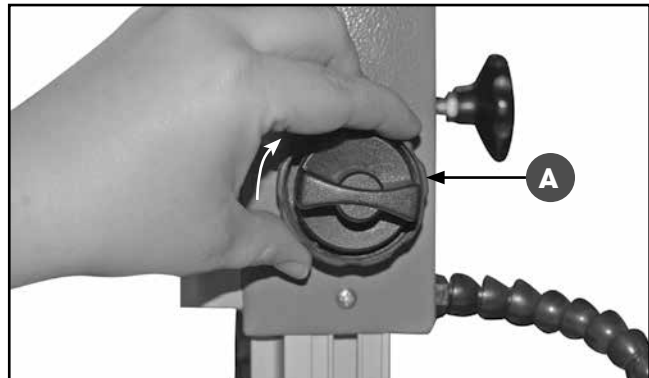


**MAKE SURE THE MACHINE HAS BEEN TURNED OFF AND UNPLUGGED FROM THE POWER SOURCE BEFORE PERFORMING ANY MAINTENANCE OR ADJUSTMENTS.**

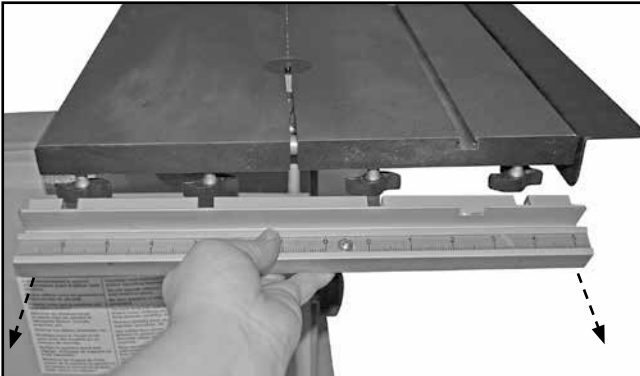
To change blades:



**1.** Loosen the blade guard lock knob as shown.



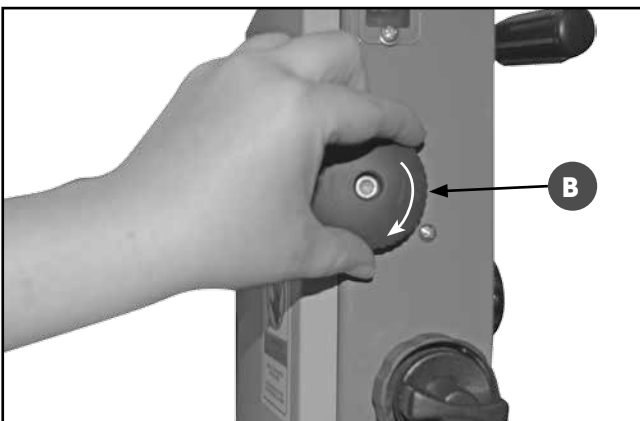
**2.** Lower the blade guard halfway by turning the knob **A** clockwise.



**3.** Loosen the four lock knobs, and remove the fence rail.



**4.** Remove the insert from the table using a screwdriver.



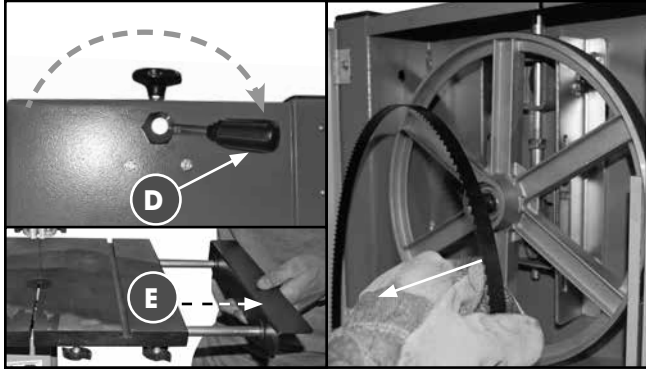
**5.** Open the upper door by turning the knob **B** clockwise.



**6.** Open the lower door by turning the knob **C** clockwise.

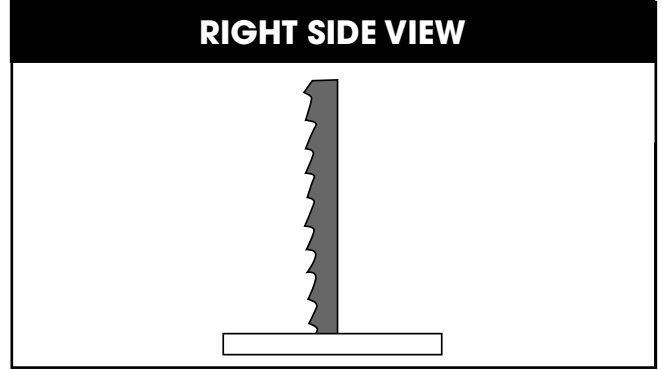


**MAKE SURE THE MACHINE HAS BEEN TURNED OFF AND UNPLUGGED FROM THE POWER SOURCE BEFORE PERFORMING ANY MAINTENANCE OR ADJUSTMENTS.**



**7.** Release the blade tension by turning the tension lever **D** to the right. Carefully remove the blade starting on the right as shown.

**Note:** Pull back the extension table in order to remove the blade **E**.



**8.** To install a blade, repeat the previous steps in reverse order, making sure that the blade is installed with the teeth pointing forward and down as shown.

**Note:** With the blade installed proceed to the tensioning and tracking instructions.

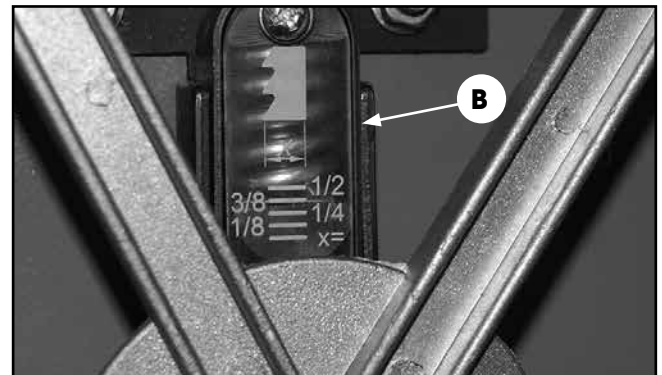
### **ADJUSTING THE BLADE TENSION**

A properly tensioned blade is critical to obtaining maximum performance from any bandsaw. A properly tensioned blade will last longer and be much less likely to break prematurely. If the blade tension is too loose you will notice that the blade will have a tendency to drift or slip off-line when cutting and you will have more difficulty controlling your cuts. A blade that is tensioned too tightly will break prematurely. This bandsaw is equipped with a blade tension scale, which can be used as a reference for the ideal setting with various blade widths.



**1.** Turn the blade tension knob **A** clockwise, raising the upper wheel to tighten the blade. Turn the knob counter-clockwise to lower the upper wheel, loosening the blade.

**Note:** Changes in blade width and the type of material being cut will have an effect on the blade tension.

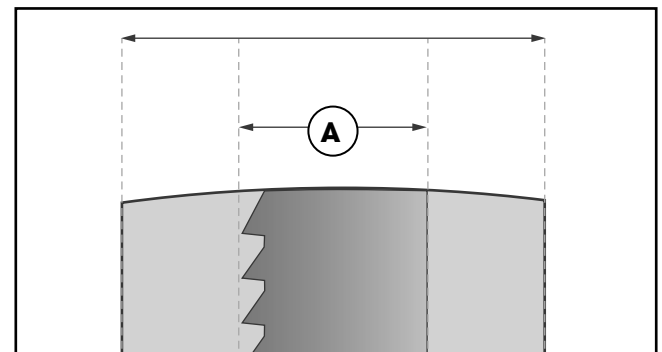


**Note:** The tension indicator **B** at the rear of the upper wheel housing indicates the proper tension for the various blade widths. Set the tension indicator to correspond with the width of the blade in use.

### **ADJUSTING THE BLADE TRACKING**

Blade tracking means centering the blade on the wheels **A**. Ideally, the blade should stay relatively centered on both the upper and lower wheels.

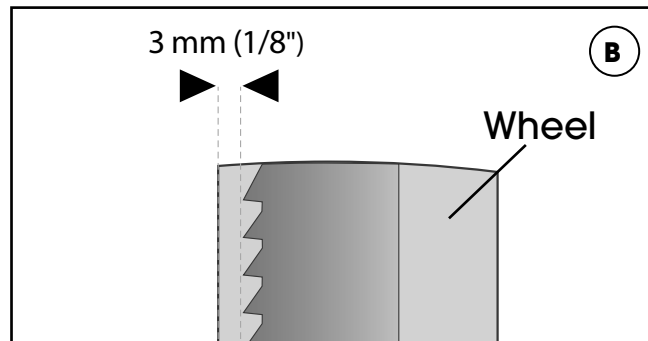
Due to natural variations in castings, blade thickness or density and tire wear, absolute perfect centering alignment is rarely attainable. A slight misalignment of the blade on the wheels is inevitable and as long as it is kept to a minimum (following the steps listed below) will not hinder the performance of the saw.





**MAKE SURE THE MACHINE HAS BEEN TURNED OFF AND UNPLUGGED FROM THE POWER SOURCE BEFORE PERFORMING ANY MAINTENANCE OR ADJUSTMENTS.**

This misalignment is controlled and kept to a minimum by adjusting the tilt angle of the upper wheel. When adjusting blade tracking to center the blade on the wheels and assuming that perfect centering is not attainable, it is preferable to have the blade slightly off-center towards the front of the wheels rather than towards the rear because the teeth on most bandsaw blades have alternating hook (one inner, one outer) - therefore if the blade is centered too far back on the wheel (or if the blade tension is too tight), inner hooked teeth will dig into the wheel tire and cause premature wear of the tire. Nonetheless, to avoid having the blade come off of the wheels on it's own during operation, the front edge of the blades teeth should never be any closer than 3 mm (1/8") from the front edge of the wheel **B**.



To adjust the blade tracking:

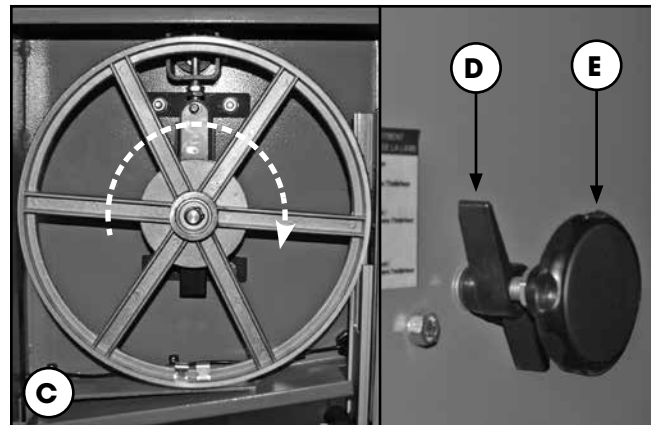
1. Open the upper wheel cover door then rotate the wheel slowly forward by hand **C** and check the position of the blade on the wheel. The blade should remain as centered as possible on the wheel as it turns.
2. If the blade tracking must be adjusted, loosen the wing nut **D** on the tracking adjustment knob **E**, then turn the knob:

Clockwise if the blade moves toward the front of the wheel. This tilts the top of the wheel to the back and moves the blade toward the center.

Counterclockwise if the blade moves toward the back edge. This tilts the top of the wheel to the front and moves the blade toward the center.

**Note: Turn the tracking knobs in 1/2 turn increments, re-check and adjust again as needed.**

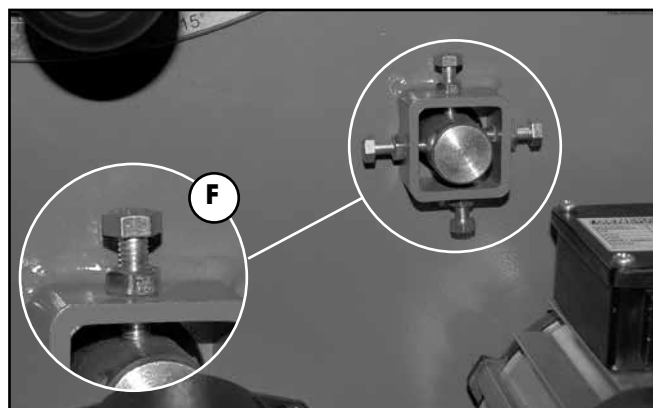
3. With the tracking set, retighten the wing nut **D**.



**Note: The upper and lower wheels are factory set to allow for easy and optimal blade tracking adjustments using the primary blade tracking adjustment knob, which adjusts the angle of tilt of the upper wheel.**

**In extremely rare cases, if acceptable blade tracking cannot be attained through the primary adjustment it may eventually become necessary to make minor adjustments to the angle of tilt of the lower wheel.**

**The four bolts **F** may be adjusted in or out to tilt the lower wheel up/down or left/right as needed. Once the adjustment is finished, retighten the the jam nuts.**

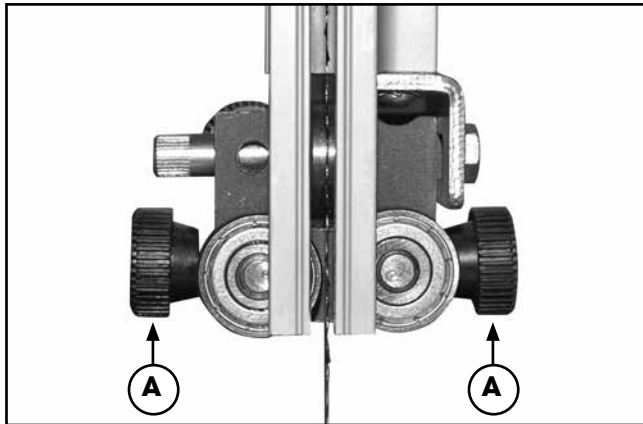




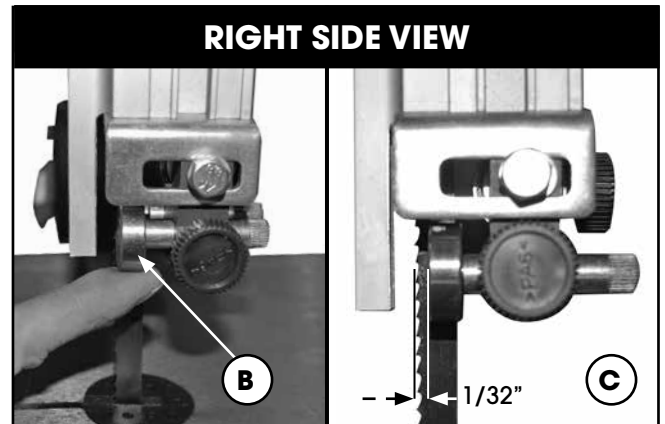


MAKE SURE THE MACHINE HAS BEEN TURNED OFF AND UNPLUGGED FROM THE POWER SOURCE BEFORE PERFORMING ANY MAINTENANCE OR ADJUSTMENTS.

### **AJUSTING THE UPPER BLADE GUIDES**

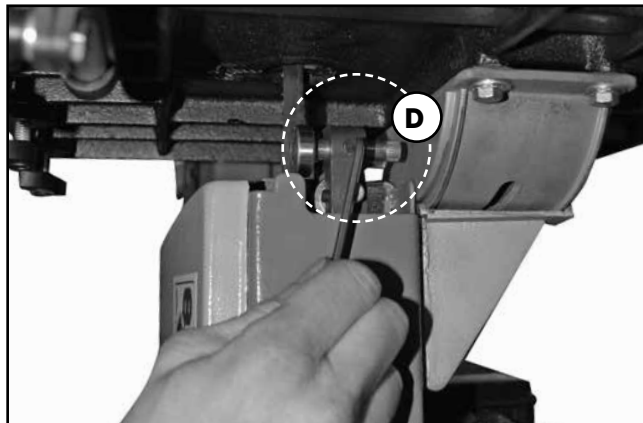


1. Loosen the two knurled nuts **A**.

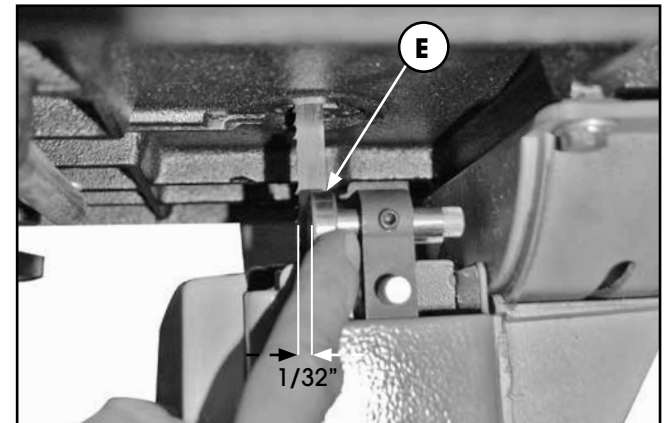


2. Adjust blade guides **B** to at least 1/32" behind the teeth of the blade to avoid damage during cutting. Retighten the two knurled nuts **A**.

### **AJUSTING THE LOWER BLADE GUIDES**

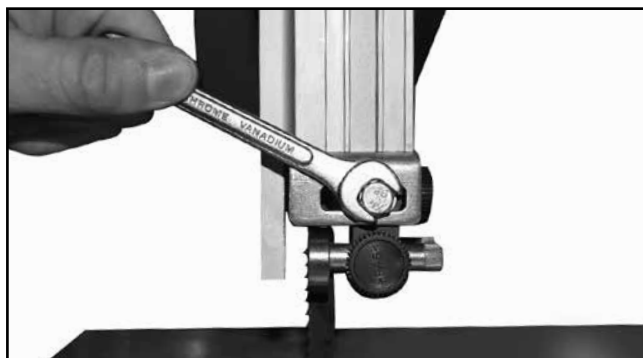


1. With 3mm Allen key loosen the blade guide screw **D**.

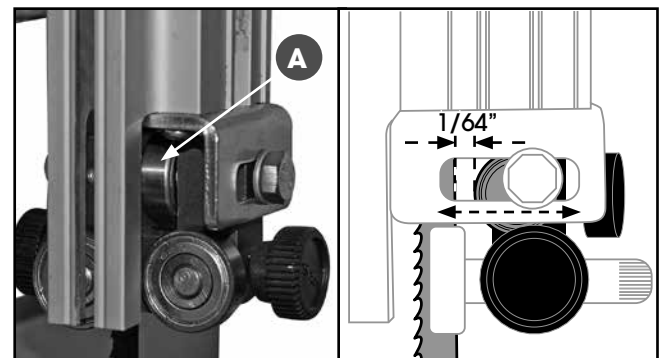


2. Adjust blade guides **E** to at least 1/32" behind the teeth of the blade to avoid damage during cutting. Retighten screws **D**, then repeat on the second guide.

### **AJUSTING THE UPPER THRUST BEARING**



1. For the upper thrust bearing, loosen the bolt with a 10 mm wrench as shown.

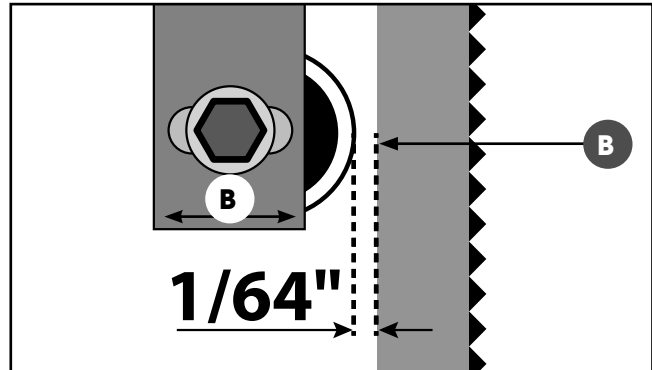
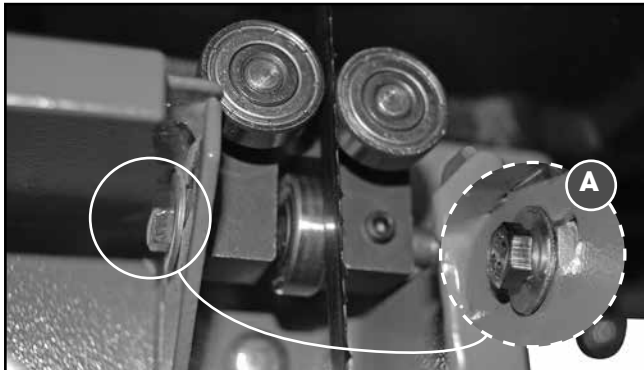


2. Then manually adjust the thrust bearing shaft **A** in or out until the bearing is 1/64" behind the blade. Retighten the bolt.



**MAKE SURE THE MACHINE HAS BEEN TURNED OFF AND UNPLUGGED FROM THE POWER SOURCE BEFORE PERFORMING ANY MAINTENANCE OR ADJUSTMENTS.**

### **ADJUSTING THE LOWER THRUST BEARING**

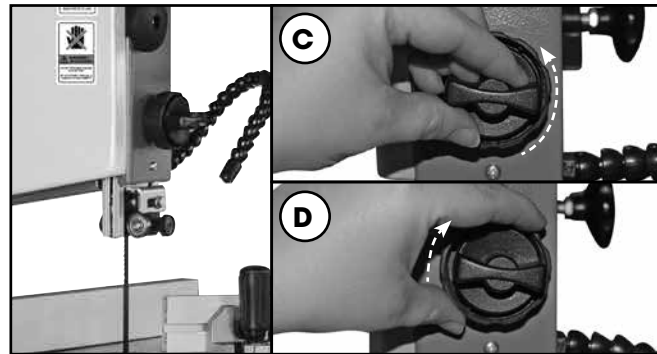


1. To adjust the lower thrust bearing (under the table), loosen bolt **A** with a 10 mm wrench.
4. Then manually adjust the thrust bearing shaft **B** in or out until the bearing is 1/64" behind the blade. Retighten the bolt **A**.

### **ADJUSTING THE UPPER BLADE GUARD**

The upper blade guard should be adjusted based on the height of the workpiece. To reduce the risk of injury, a minimum amount of blade should be exposed.

1. Loosen lock knob **C** and turn knob **D** to raise or lower the guard, and set it 1/8" - 1/4" above the workpiece.
2. Re-tighten the lock knob **C**, before turning on the saw.



# **OPERATING INSTRUCTIONS**

### **CHECKLIST BEFORE STARTING**



**VERIFY ALL CHECK POINTS BEFORE STARTING. FAILURE TO COMPLY CAN RESULT IN SERIOUS INJURIES.**

1. Make sure you and any assistants are wearing safe and appropriate workshop attire.
2. To reduce the risk of damage to the machine, as well as potential for personal injury, after initial set-up as well as before each use, make sure that everything is securely installed and that all fasteners and moving parts on this machine are locked in place before starting the machine.
3. Make sure to have on safety glasses as well as hearing or/and respiratory protection at all times when using the machine.
4. Use only recommended parts and accessories. The use of parts or accessories NOT recommended by GENERAL® INTERNATIONAL may result in a risk of injury or damage to the machine.
5. Be sure that adjusting wrenches, tools, drinks and other clutter are removed from the machine and/or the table surface before operating.



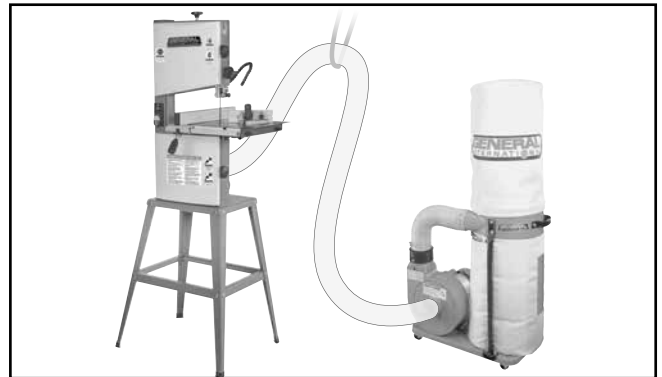
**MAKE SURE THE MACHINE HAS BEEN TURNED OFF AND UNPLUGGED FROM THE POWER SOURCE BEFORE PERFORMING ANY MAINTENANCE OR ADJUSTMENTS.**

### **CONNECTING TO A DUST COLLECTOR**

A multi-size dust port fits 4", 3", or 2" hose is provided to accommodate connection to a dust collector (not included).

Be sure to use appropriate sized hose and fittings (not included).

Check that all connections are sealed tightly to help minimize airborne dust. If you do not already own a dust collection system consider contacting your **General@International** distributor for information on our complete line of dust collection systems and accessories or visit our Web Site at [www.general.ca](http://www.general.ca).

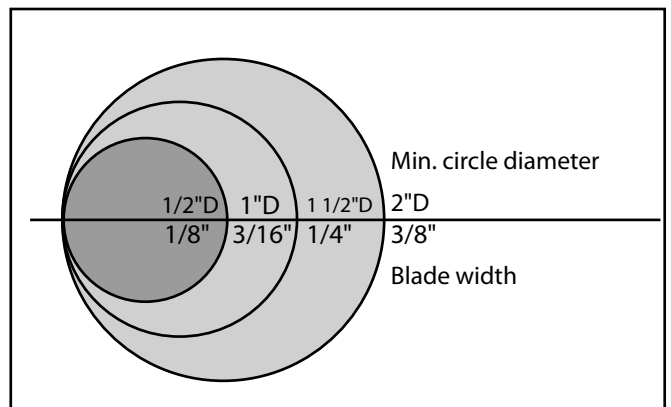


### **CUTTING CURVES**

- When cutting curves, carefully turn the workpiece so the blade follows without twisting. If the curve is so sharp that you repeatedly back up and cut new kerf, use a narrower blade, or a blade with more set (teeth further apart). When a blade has more set, the workpiece turns easier but the cut is rougher.
- When changing a cut, do not withdraw the workpiece from the blade. The blade may get drawn off the wheels.
- To change a cut, turn the workpiece and cut your way out through the waste material area.
- When cutting long curves, make relief cuts as you go along.

### **CUTTING CIRCLES**

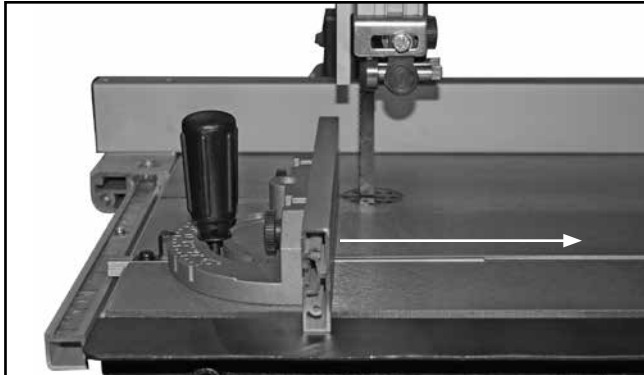
- Adjust the blade guard assembly to 1/8" above the workpiece.
- Use both hands while feeding the work into the blade. Hold the workpiece firmly against the table. Use gentle pressure. Do not force the work. Allow the blade to cut.
- The smallest diameter circle that can be cut is determined by the width of the blade. For example, a 1/4" wide blade will cut a minimum diameter of approximately 1-1/2".



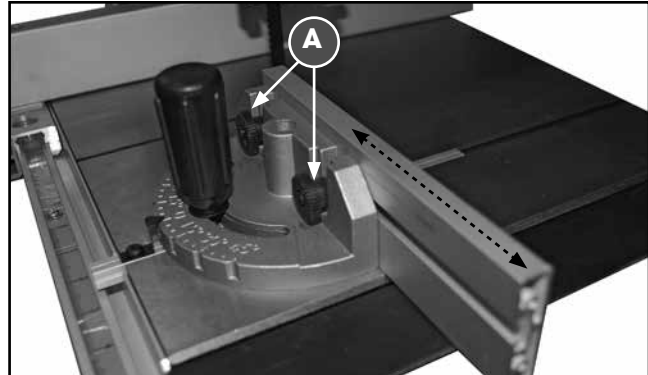


**MAKE SURE THE MACHINE HAS BEEN TURNED OFF AND UNPLUGGED FROM THE POWER SOURCE BEFORE PERFORMING ANY MAINTENANCE OR ADJUSTMENTS.**

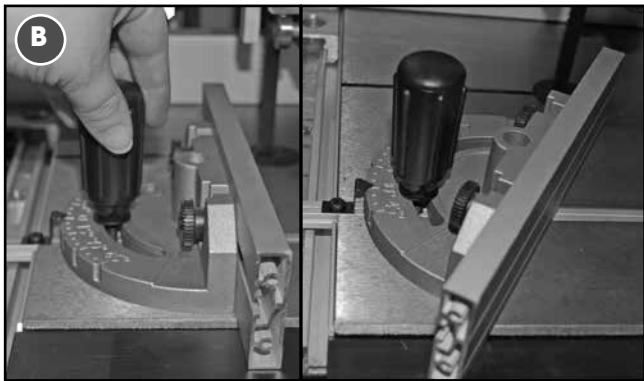
### **USING THE MITER GAUGE**



**1.** Insert the miter gauge into the "T" slot of the table as shown.



**2.** To adjust the fence face, loosen the lock knobs **A**. Retighten the knobs to secure the fence in place.



**3.** Loosen handle **B**, and adjust the fence angle as per the angle indicator scale, then retighten the handle.

## **MAINTENANCE**

### **CLEANING**

Keep your band saw clean. Sawdust will accumulate under the table, base and in the wheel housings. This could cause difficulty tilting the table. Frequently blow out or vacuum up the sawdust. Do not allow dirt, pitch or gum to build up on the table, the guard, or blade guides. Clean as needed with gum and pitch remover.

**Note: Do not immerse the bearings in the gum and pitch remover. Put a thin coat of paste wax on the table so that the wood slides easily while cutting.**

### **WHEEL TIRES**

Pitch and sawdust that build up on the tires should be removed with a stiff brush or scraped off with a piece of wood.

**Note: To avoid damaging the tires do not use a sharp knife or any kind of solvent. When the tires become worn they should be replaced. When replacing the tires, stretch them around the wheels but do not glue them on.**

### **MOTOR**

Frequently blow or vacuum out any sawdust from the motor. Follow lubrication instruction on the motor label.

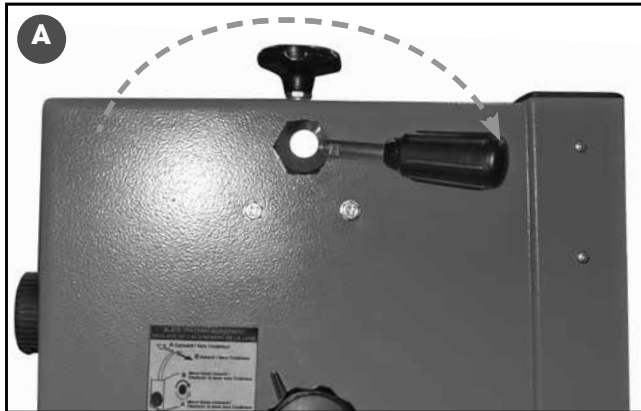
### **LUBRICATION**

All of the bearings are sealed and permanently lubricated. They require no further lubrication.

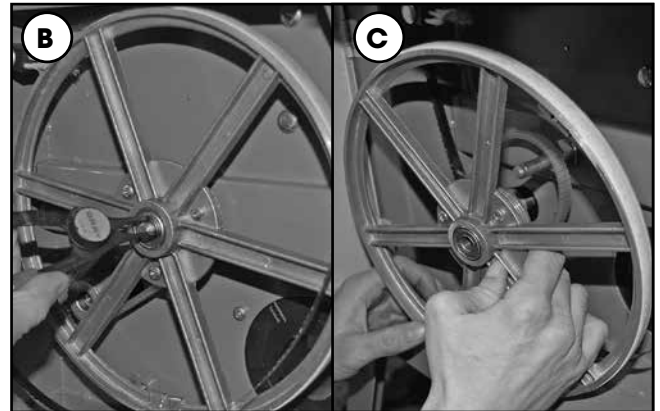


MAKE SURE THE MACHINE HAS BEEN TURNED OFF AND UNPLUGGED FROM THE POWER SOURCE BEFORE PERFORMING ANY MAINTENANCE OR ADJUSTMENTS.

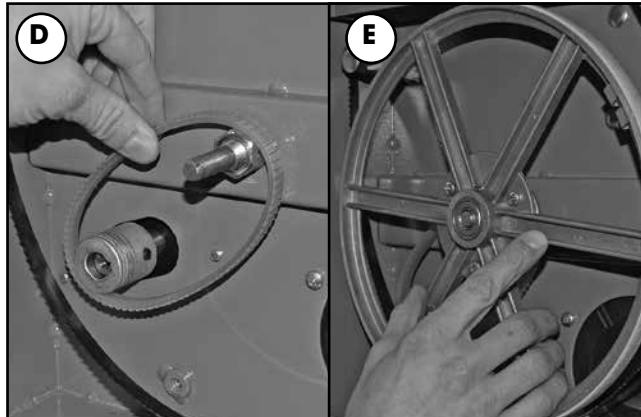
### CHANGING THE BELT AND ALIGNING THE PULLEYS



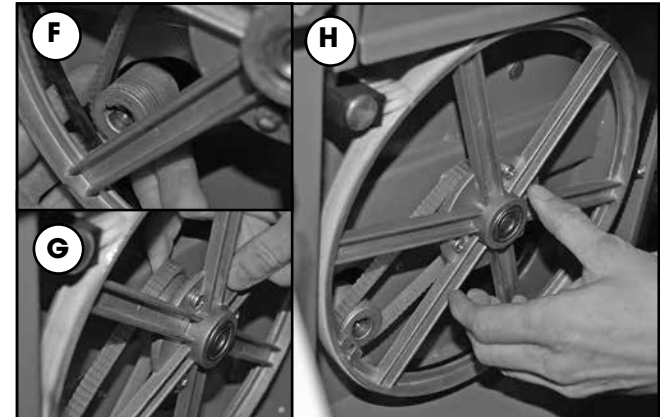
1. Open the lower wheel cover, and then release blade tension **A**.



2. Remove the retention ring **B**. Remove the wheel **C** and the belt.



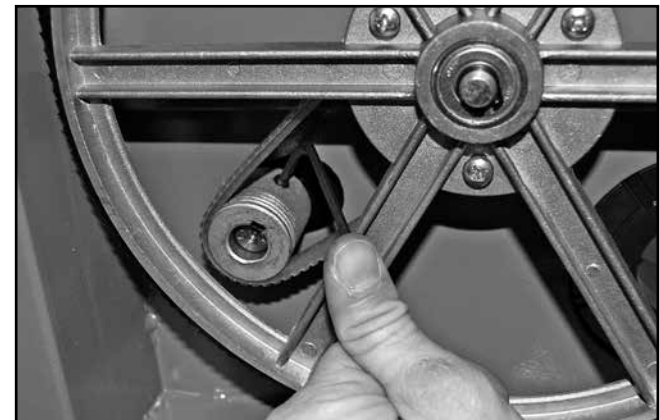
3. Install the new belt on the pulleys **D** and re-install the wheel **D**.



4. After placing the belt on the drive pulley **F**, place the other end of the belt on the second pulley **G**. Then turn the wheel by hand until the belt seats itself in place **H**. Re-install the retention ring.



5. Make sure the two pulleys are aligned by placing a straight edge in the front groove of both pulleys and behind the blade wheel.

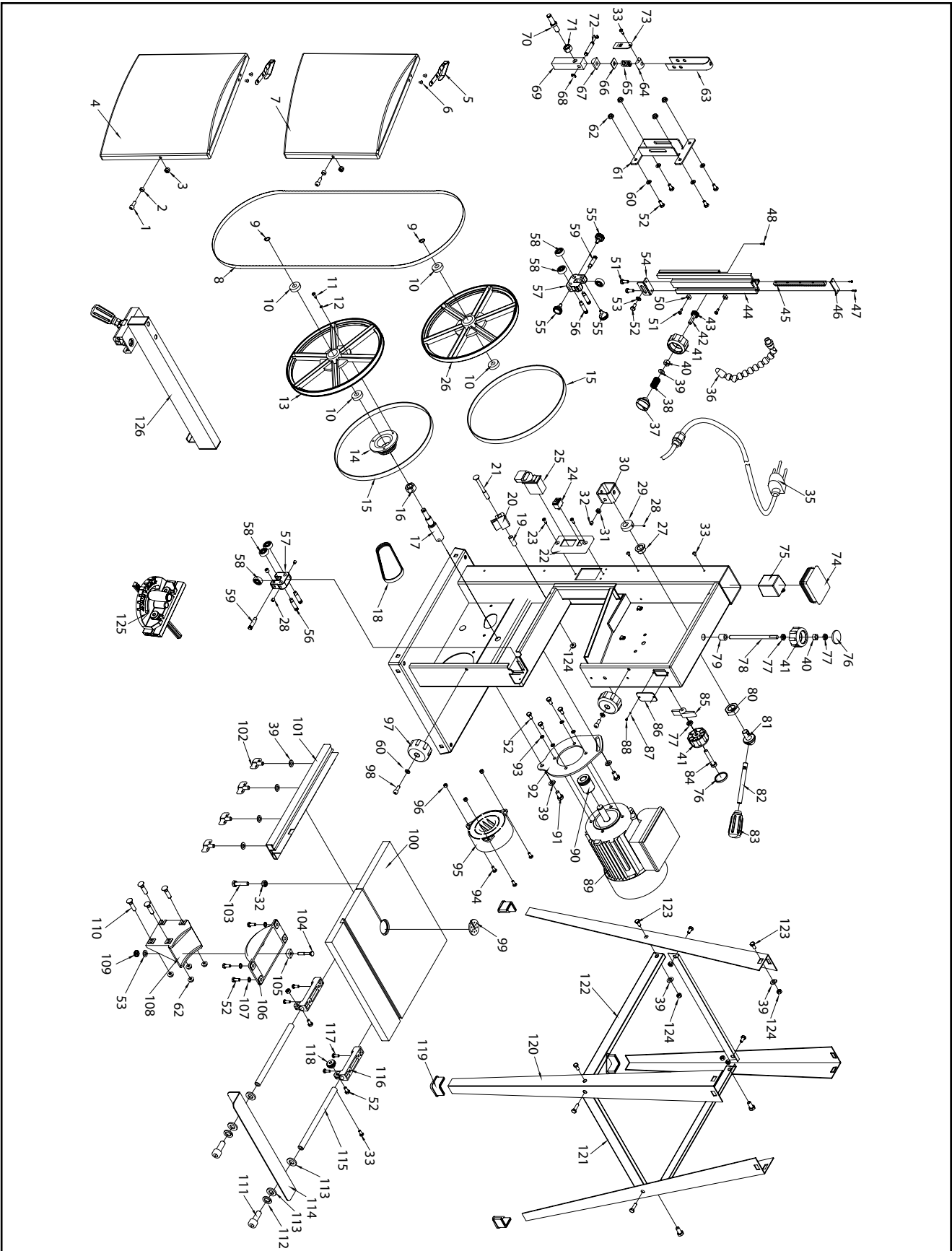


6. To re-adjust the alignment, loosen the set screw with a 3 mm Allen key to move the pulley on the shaft. Adjust the pulley in or out on the shaft to align the two pulleys. When aligned, retighten the set screw.

7. Adjust the blade tension, tracking, and the upper and lower guides and the thrust bearings before operating the bandsaw.

# DIAGRAM

90-030



# PARTS LIST

## 90-030

**IMPORTANT: When ordering replacement parts, always give the model number, serial number of the machine and part number. Also a brief description of each item and quantity desired.**

PART#	DESCRIPTION	SPECIFICATIONS	QTY	PART#	DESCRIPTION	SPECIFICATIONS	QTY
1	HEX BOLT	M6 X 16	2	53	BIG WASHER	6	1
2	RING		2	54	GUIDE BEARING SEAT		1
3	NUT	M6	2	55	KNOB		3
4	LOWER DOOR		1	56	BEARING SHAFT		4
5	SPRING		2	57	UPPER GUIDE ASSEMBLY		2
6	RIVET	4 X 8	4	58	BEARING	627	6
7	UPPER DOOR		1	59	BEARING SHAFT		2
8	BLADE	1712 X 10 X 0.35 - 6 TPI	1	60	WASHER	6	4
9	RETENSION RING	10	2	61	GUIDE PLATE		1
10	BEARING	6000	4	62	FLANGE NUT	M6	8
11	SCREW	M5 X 10	3	63	BRACKET		1
12	LOCK WASHER	5	3	64	SPACER		1
13	LOWER WHEEL		1	65	SPRING		1
14	PULLEY		1	66	TENSION SCALE POINTER		1
15	TIRE		2	67	NUT		1
16	BOLT	M20	1	68	RETENTION RING	6	2
17	SHAFT		1	69	UPPER WHEEL SHAFT SEAT		1
18	BELT		1	70	UPPER WHEEL SHAFT		1
19	SPACER BUSHING		1	71	NUT	M10	1
20	BRUSH		1	72	SHAFT		1
21	CARRIAGE BOLT	M8 X 70	1	73	TENSION SCALE		1
22	SWITCH PLATE		1	74	END CAP		1
23	SCREW	M4 X 12	2	75	TRANSFORMER		1
24	WORKLIGHT SWITCH		1	76	KNOB COVER		1
25	MAIN SWITCH		1	77	NUT	M10	16
26	UPPER WHEEL		1	78	ADJUSTMENT SHAFT		1
27	SHAFT SLEEVE		1	79	RING		1
28	HEX BOLT	M6 X 6	5	80	NUT	M14 X 1.5	1
29	ECCENTRIC BLOCK		1	81	TENSION LEVER SEAT		1
30	TENSION MOUNT BLOCK		1	82	TENSION LEVER ARM		1
31	HEX BOLT	M6 X 12	5	83	TENSION LEVER HANDLE	M10	1
32	NUT	M6	1	84	BOLT	M8 X 45	1
33	SCREW	M4 X 6	10	85	THUMB NUT		1
35	POWER CORD AND PLUG		1	86	BLADE TRACKING WINDOW		1
36	WORKLIGHT ASSEMBLY		1	87	WASHER	4	2
37	LOCK KNOB		1	88	SCREW	M4 X 5	2
38	SPRING		1	89	MOTOR		1
39	WASHER	8	2	90	MOTOR PULLEY		1
40	NUT		2	91	BOLT	M8 X 16	8
41	BLADE TENSION KNOB		3	92	MOTOR COVER		1
42	SHAFT		1	93	LOCK WASHER	6	4
43	GEAR		1	94	SCREW	M5 X 12	3
44	UPPER BLADE GUARD		1	95	DUST PORT		1
45	RACK		1	96	NUT	M5	3
46	COVER PLATE		1	97	KNOB		2
47	SELF-TAPPING SCREW	ST3.5 X 9.5	2	98	HEX BOLT	M6 X 25	2
48	SELF-TAPPING SCREW	ST2.2 X 6.5	1	99	TABLE INSERT		1
50	GUIDE BOLT		2	100	TABLE		1
51	SELF-TAPPING SCREW	ST4.2 X 13	2	101	FENCE RAIL		1
52	BOLT	M6 X 12	2	102	LOCK KNOB		4









8360 Champ-d'Eau, Montreal (Quebec) Canada H1P 1Y3

**Tel.: (514) 326-1161**

**Fax: (514) 326-5565 - Parts & Service / (514) 326-5555 - Order Desk**  
**orderdesk@general.ca**

[www.general.ca](http://www.general.ca)

Follow us:

