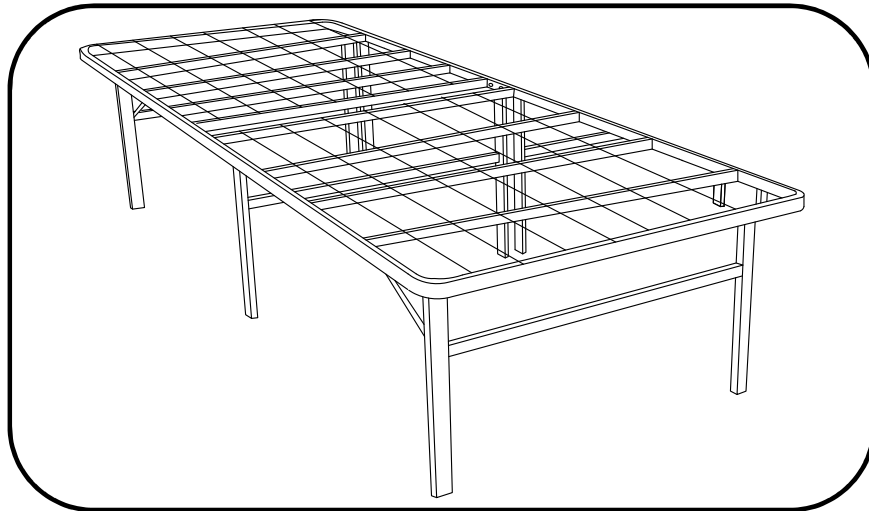


N A O M I
H O M E

IdealBase Platform Bed



Assembly Instructions

Please take a moment to read through the entire instruction booklet before assembly to familiarize yourself with this product. Once you feel ready to start, follow the instructions step by step and this should make this process as easy as we could make it for you.

If you need help or have damaged or missing parts, contact customer service at www.NaomiHome.com.

© 2017 Naomi Home Inc. - All Rights Reserved.

WARNING



CAUTION

ADULT ASSEMBLY REQUIRED

CHOKING HAZARD

- This product includes small parts, sharp points and sharp edges in its unassembled state. Keep unassembled parts away from children under 3 years of age, & animals.
- If used improperly, your child may fall, creating risk of injury or damage. Children should not be permitted to jump, climb or pull on the bed.

USE AND MAINTENANCE

- Use on level surfaces only
- Because this product needs assembly, it is prone to working itself loose from time to time depending on the use. Please take the time to check that all connections are still tight and working properly for safety.
- Only clean using a damp cloth and mild detergent, do not use bleach or abrasive cleaners.

PARENTAL SUPERVISION IS REQUIRED

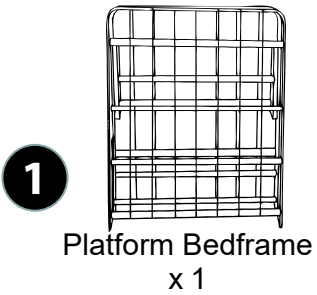
- This Naomi Home product is intended for use age 3+.
- Parents or Guardians should supervise use under the intended age specifically regarding children that may have access to it and might climb on the unit.

ASSEMBLY RECOMMENDATIONS

- Check you have all the components and tools listed on page 2 and 3.
- Do not stand or put weight on this product during assembly, this could cause damage.
- Remove all hardware from the plastic bags and separate them into their groups.
- Assemble the item as close to its final position (in the same room) as possible.
- Assemble on a soft level surface to avoid damaging the unit or your floor.
- Make sure you have enough space to layout the parts before starting.
- Parts of the assembly may be easier with 2 people.
- Dispose of all packaging carefully and responsibly.
- Do not use this item if any components are missing or damaged.
- We do not recommend the use of power drill/drivers for inserting screws, as this could damage the unit. Only hand tighten.

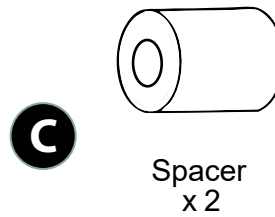
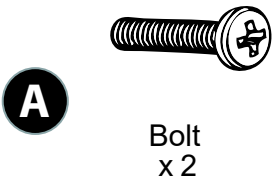
COMPONENT PARTS

Please check that you have all the parts listed below



ASSEMBLY HARDWARE

* For Double, Queen, King, and CA King sizes. Twin size is not required.

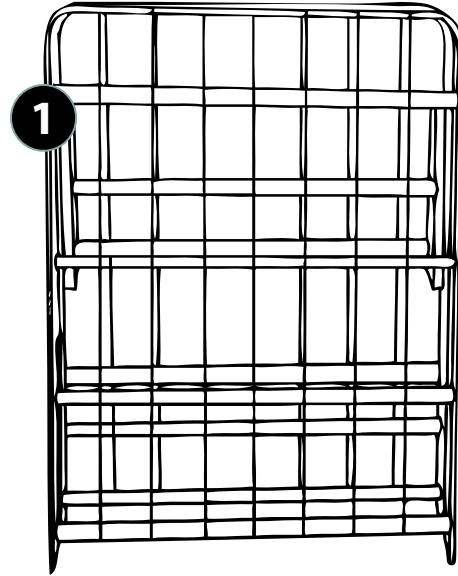


ASSEMBLY INSTRUCTIONS

1

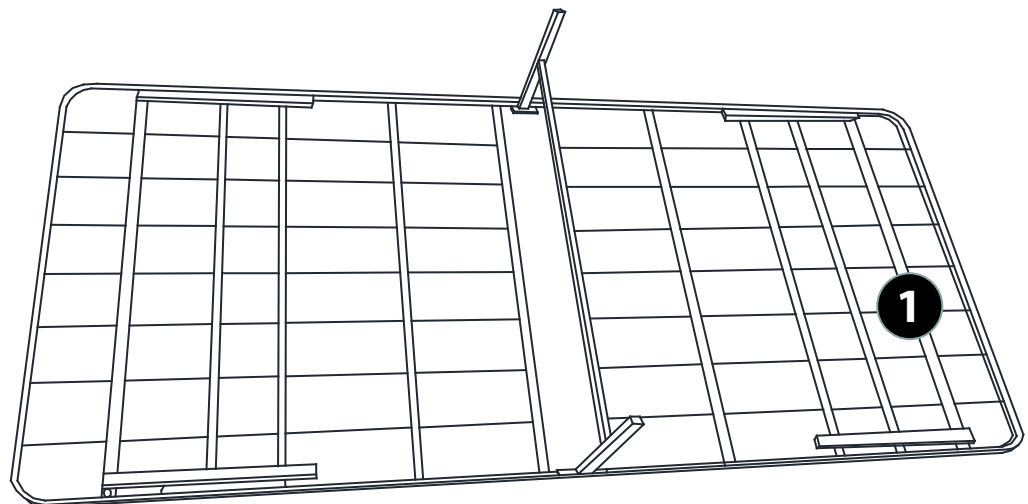
Remove all components from the carton(s) and position them on the floor.

NOTE: Twin / Twin XL sizes (quantity 1). All other sizes (quantity 2).



2

Unfold the unit from the center and lay flat.

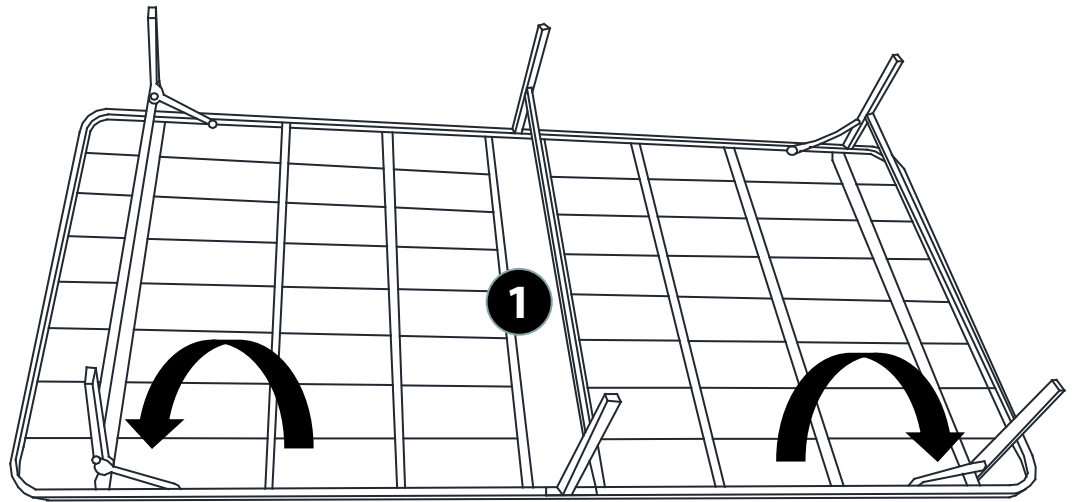


ASSEMBLY INSTRUCTIONS

3

Raise all six legs to the upright position.

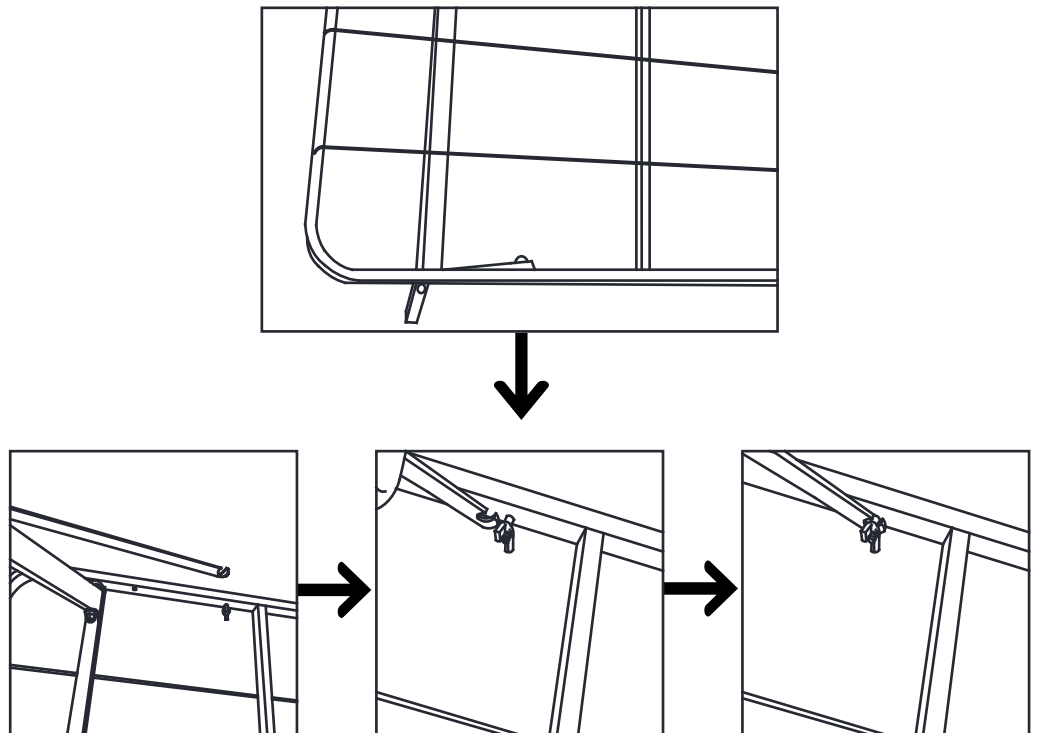
Each of the four end legs have separate support arms.



4

Rotate the support arms to hook onto the bolts and tighten with installed wing nuts. Repeat the process for the remaining three end legs

NOTE: The two center legs do not require wing nuts.



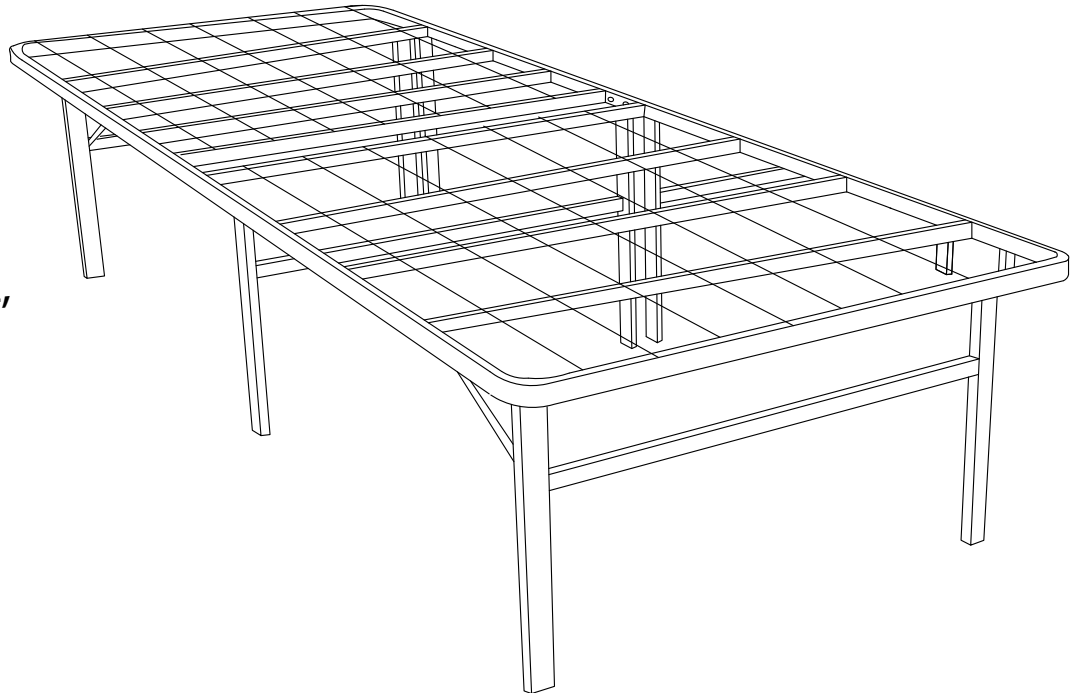
ASSEMBLY INSTRUCTIONS

5

Turn the IdealBase over and upright

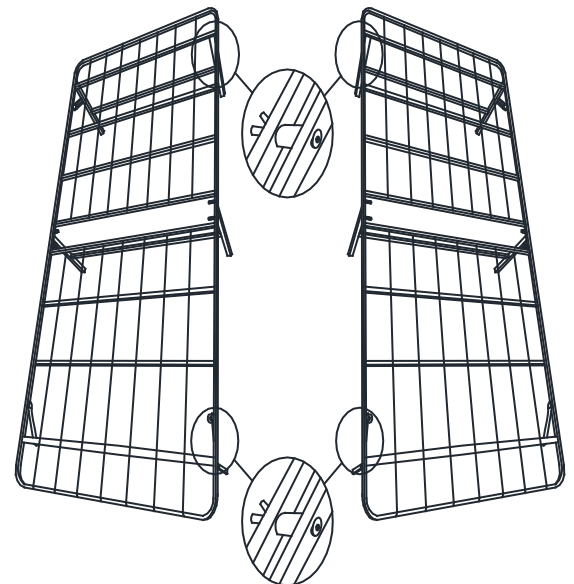
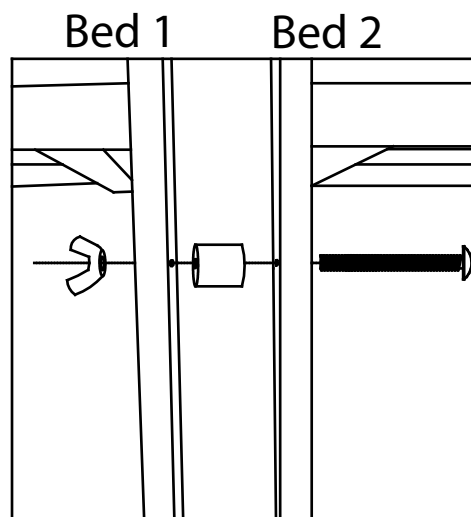
For Twin or Twin XL,
Your Bed is Complete.

For all other sizes,
repeat steps 1 - 4
for the additional
IdealBase unit.

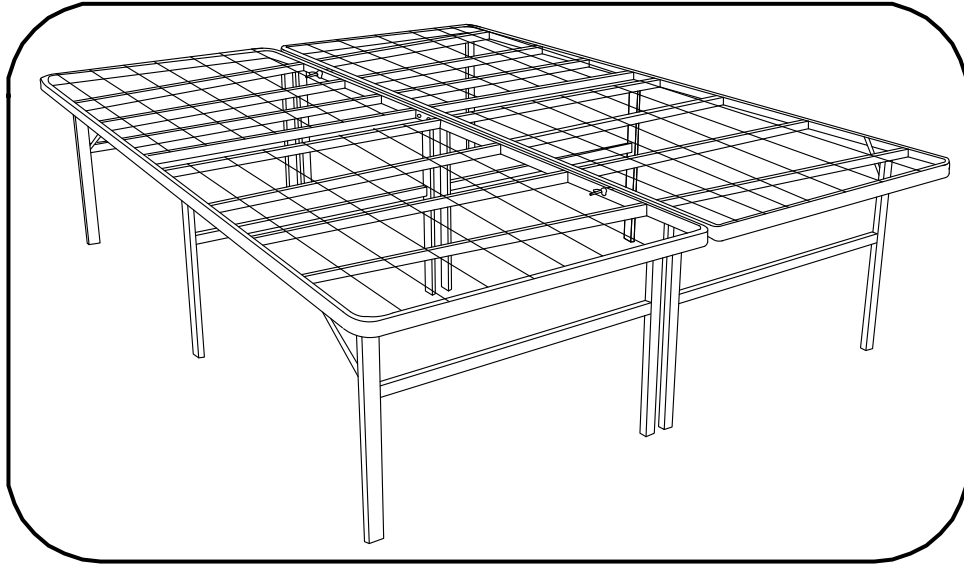


6

Align both base units side by side where you intend to install the bed. Attach the two sides together by inserting bolt A into base unit 1 hole in the side of the main cross bar and through into base unit 2 and tighten the wing nut. Repeat for other end with 2nd Bolt.



ASSEMBLY COMPLETE



**CONGRATULATIONS, YOUR NAOMI HOME IDEALBASE
PLATFORM BED IS COMPLETE!**



N A O M I
H O M E

www.NaomiHome.com
MADE IN CHINA

Product Packaging Information

Model #: 83311

Color: Black

Shipment Ref. #: 8899939575

Date: 2018.8.10