



GENESIS®

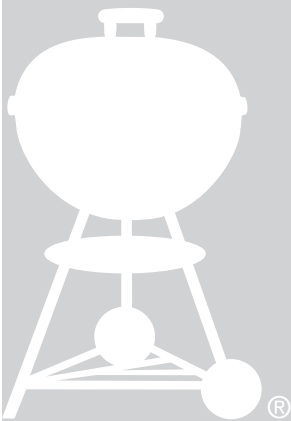
GRILL OWNER'S GUIDE

E-310™ · EP-310™ · S-310™

LP

REGISTER YOUR GRILL

Thank you for purchasing a Weber® grill. Take a few minutes to protect your investment by registering your grill online at www.weber.com. Reference the serial number on the front cover of this owner's guide.



YOU MUST READ THIS OWNER'S GUIDE BEFORE OPERATING YOUR GAS GRILL.

⚠ DANGER

If you smell gas:

- 1) Shut off gas to the appliance.
- 2) Extinguish any open flames.
- 3) Open lid.
- 4) If odor continues, keep away from the appliance and immediately call your gas supplier or your fire department.

Leaking gas may cause a fire or explosion which can cause serious bodily injury, death, or damage to property.

Carefully follow all leak-check procedures in this Owner's Guide prior to grill operation. Do this even if the grill was dealer-assembled.

Do not ignite this appliance without first reading the burner ignition sections of this manual.

⚠ WARNING

- 1) Do not store or use gasoline or other flammable liquids or vapors in the vicinity of this or any other appliance.
- 2) An LP tank not connected for use shall not be stored in the vicinity of this or any other appliance.

THIS GAS APPLIANCE IS DESIGNED FOR OUTDOOR USE ONLY.

NOTICE TO INSTALLER: These instructions must be left with the owner, who should keep them for future use.



48706

US - ENGLISH
07/01/14

WARNINGS

⚠ DANGER

Failure to follow the Dangers, Warnings and Cautions contained in this Owner's Manual may result in serious bodily injury or death, or in a fire or an explosion causing damage to property.

⚠ WARNINGS

- ⚠ Do not store a spare or disconnected liquid propane tank under or near this grill.
- ⚠ Improper assembly may be dangerous. Please follow the assembly instructions carefully.
- ⚠ After a period of storage, and/or nonuse, the Weber® gas grill should be checked for gas leaks and burner obstructions before use. See instructions in this manual for correct procedures.
- ⚠ Do not operate the Weber® gas grill if there is a gas leak present.
- ⚠ Do not use a flame to check for gas leaks.
- ⚠ Combustible materials should never be within 24 inches (61 cm) of the back or sides of your Weber® gas grill.
- ⚠ Do not put a grill cover or anything flammable on, or in the storage area under the grill.
- ⚠ Your Weber® gas grill should never be used by children. Accessible parts of the grill may be very hot. Keep young children away while it is in use.
- ⚠ You should exercise reasonable care when operating your Weber® gas grill. It will be hot during cooking or cleaning and should never be left unattended, or moved while in operation.
- ⚠ Should the burners go out while in operation, turn all gas valves off. Open the lid and wait five minutes before attempting to relight, using the igniting instructions.
- ⚠ Do not use charcoal or lava rock in your Weber® gas grill.
- ⚠ Never lean over open grill or place hands or fingers on the front edge of the cookbox.
- ⚠ Should a grease fire occur, turn off all burners and leave lid closed until fire is out.
- ⚠ Do not enlarge valve orifices or burner ports when cleaning the valves or burners.
- ⚠ The Weber® gas grill should be thoroughly cleaned on a regular basis.
- ⚠ Liquid propane gas is not natural gas. The conversion or attempted use of natural gas in a liquid propane unit or liquid propane gas in a natural gas unit is dangerous and will void your warranty.
- ⚠ Do not attempt to disconnect any gas fitting while your grill is in operation.
- ⚠ Use heat-resistant grill mitts or gloves when operating grill.
- ⚠ Keep any electrical supply cord and the fuel supply hose away from any heated surfaces.
- ⚠ Combustion byproducts produced when using this product contain chemicals known to the state of California to cause cancer, birth defects, or other reproductive harm.
- ⚠ Do not use this grill unless all parts are in place. The unit must be properly assembled according to the assembly instructions.
- ⚠ Do not build this model of grill in any built-in or slide-in construction. Ignoring this Warning could cause a fire or an explosion that can damage property and cause serious bodily injury or death.
- ⚠ Proposition 65 Warning: Handling the brass material on this product exposes you to lead, a chemical known to the state of California to cause cancer, birth defects or other reproductive harm.
(Wash hands after handling this product.) ♦

LIQUID PROPANE GAS UNITS ONLY:

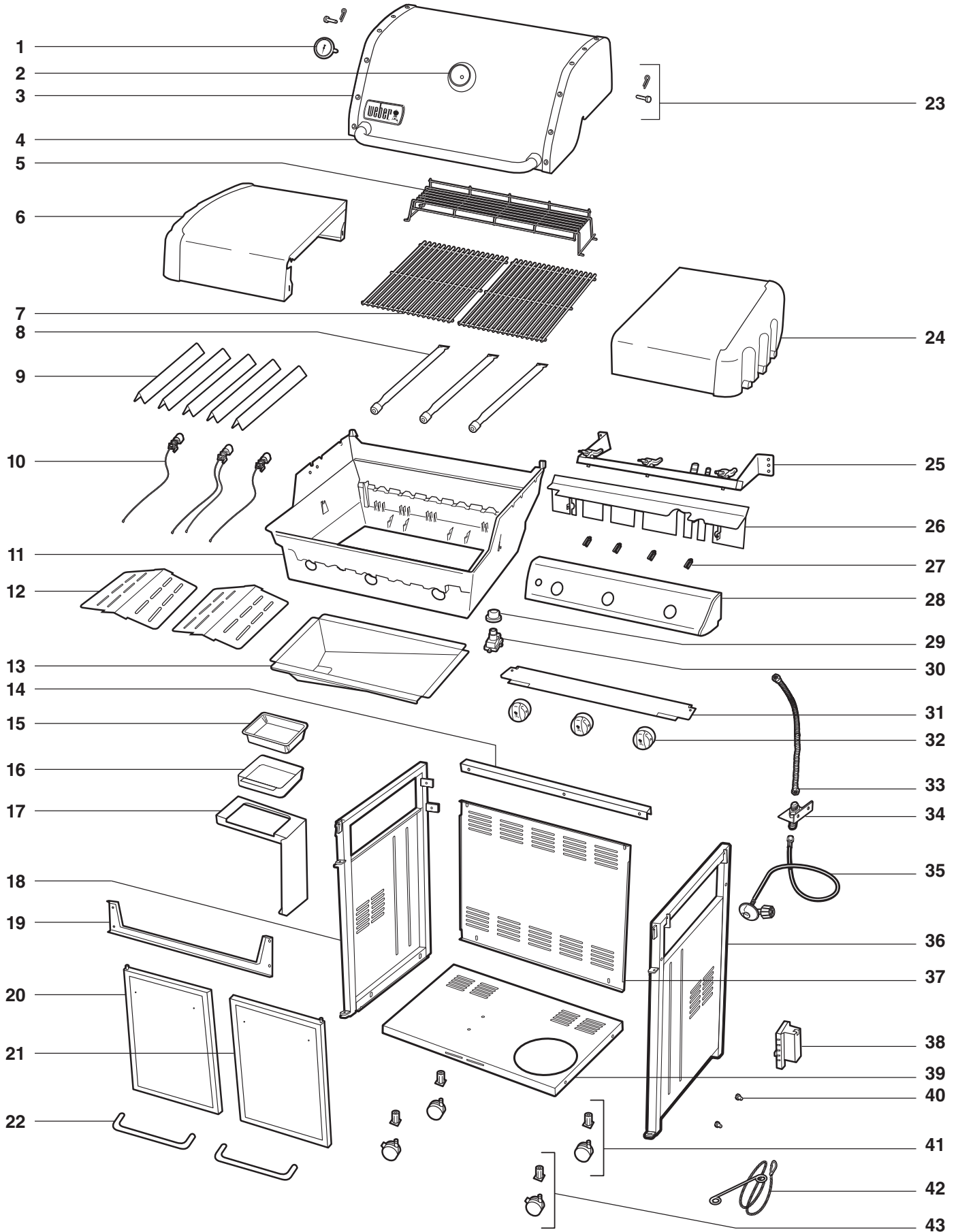
- ⚠ Use the pressure regulator and hose assembly that is supplied with your Weber® gas grill.
- ⚠ Do not attempt to disconnect the gas regulator and hose assembly or any gas fitting while your grill is in operation.
- ⚠ A dented or rusty liquid propane tank may be hazardous and should be checked by your liquid propane supplier. Do not use a liquid propane tank with a damaged valve.
- ⚠ Although your liquid propane tank may appear to be empty, gas may still be present, and the tank should be transported and stored accordingly.
- ⚠ If you see, smell or hear the hiss of escaping gas from the liquid propane tank:
 1. Move away from liquid propane tank.
 2. Do not attempt to correct the problem yourself.
 3. Call your fire department. ♦

TABLE OF CONTENTS

WARNINGS	2
TABLE OF CONTENTS	3
EXPLODED VIEW	4
EXPLODED VIEW LIST	5
WARRANTY	6
GENERAL INSTRUCTIONS	7
CANADIAN INSTALLATION	7
OPERATING	7
STORAGE AND/OR NONUSE	7
GAS INSTRUCTIONS	8
SAFE HANDLING TIPS FOR LIQUID PROPANE GAS TANKS	8
IMPORTANT LP TANK INFORMATION	9
LEAK CHECK PREPARATION	9
CHECK FOR GAS LEAKS	11
REFILLING THE LIQUID PROPANE TANK	12
BEFORE USING THE GRILL	13
FUEL LEVEL	13
SLIDE OUT GREASE TRAY AND DISPOSABLE DRIP PAN	13
ELECTRONIC IGNITER INSPECTION	13
HOSE INSPECTION	13
MAIN BURNER IGNITION & USAGE	14
MAIN BURNER IGNITION	14
TO EXTINGUISH	14
MAIN BURNER MANUAL IGNITION	15
TO EXTINGUISH	15
GRILLING TIPS & HELPFUL HINTS	16
PREHEATING	16
COVERED COOKING	16
DRIPPINGS AND GREASE	16
FLAVORIZER® SYSTEM	16
TROUBLESHOOTING	17
MAINTENANCE	18
CLEANING	18
WEBER® SPIDER/INSECT SCREENS	18
BURNER TUBES CLEANING OR REPLACEMENT	19
ELECTRONIC IGNITION SYSTEM OPERATIONS	21
ANNUAL MAINTENANCE	22

EXPLODED VIEW • DIAGRAMA DE DESPIECE • VUE ECLATEE

Genesis_310_LP_US_050614



EXPLODED VIEW LIST • LISTA DEL DIAGRAMA DE DESPIECE • LISTE DE LA VUE ECLATEE

- | | | |
|---|--|--|
| 1. Thermometer
Termómetro
Thermomètre | 16. Catch Pan
Plato recolector
Egouttoir | 31. Wind Deflector
Deflector de viento
Déflecteur de vent |
| 2. Thermometer Bezel
Moldura decorativa del termómetro
Collerette du thermomètre | 17. Catch Pan Holder
Soporte del plato recolector
Support de l'égouttoir | 32. Control Knob
Perilla de control
Bouton de commande |
| 3. Shroud
Cubierta
Etui | 18. Left Frame Panel
Panel izquierdo del bastidor
Panneau du châssis gauche | 33. Manifold Hose
Manguera del múltiple
Tuyau du collecteur |
| 4. Handle
Asa
Poignée | 19. Front Frame Support
Soporte delantero del bastidor
Support du châssis avant | 34. Bulkhead
Tabique divisorio
Tête du brûleur |
| 5. Warming Rack
Rejilla de calentamiento
Grille de maintien au chaud | 20. Left Door
Puerta izquierda
Porte gauche | 35. Hose / Regulator
Manguera / Regulador
Tuyau / Régulateur |
| 6. Left Side Table
Mesa lateral izquierda
Tablette latérale gauche | 21. Right Door
Puerta derecha
Porte droite | 36. Right Frame Panel
Panel derecho del bastidor
Panneau du châssis droit |
| 7. Cooking Grate
Parrilla de cocción
Grille de cuisson | 22. Door Handle
Asa de la puerta
Poignée de la porte | 37. Back Panel
Panel trasero
Panneau arrière |
| 8. Burner Tube
Tubo quemador
Tube du brûleur | 23. Shroud Hardware
Accesorios de la cubierta
Quincaillerie de l'étui | 38. Tank Scale
Báscula del tanque
Graduation de la bouteille de gaz |
| 9. Flavorizer® Bar
Barra Flavorizer®
Barre Flavorizer® | 24. Right Side Table
Mesa lateral derecha
Tablette latérale droite | 39. Bottom Panel
Panel inferior
Panneau inférieur |
| 10. Igniter Electrode
Electrodo de encendido
Électrode de l'allumeur | 25. Manifold
Múltiple
Collecteur | 40. Tank Glides
Deslizaderas del tanque
Glissières de la bouteille de gaz |
| 11. Cookbox
Caja de cocción
Boîtier de cuisson | 26. Heat Shield
Pantalla contra el calor
Protection anti-chaueur | 41. Caster
Rueda giratoria
Roulette |
| 12. Heat Deflector
Deflector de calor
Déflecteur de chaleur | 27. Wire Clips
Grapas de alambre
Pincas de retenue des câbles | 42. Matchstick Holder
Portacerillos
Porte-allumettes |
| 13. Slide Out Grease Tray
Bandeja deslizante de grasa
Plateau d'évacuation des graisses amovible | 28. Control Panel
Tablero de control
Panneau de commande | 43. Locking Caster
Rueda giratoria con bloqueo
Roulette à verrouillage |
| 14. Rear Frame Support
Soporte posterior del bastidor
Support de châssis arrière | 29. Igniter Button
Botón de encendido
Bouton de l'allumeur | |
| 15. Disposable Drip Pan
Bandeja de goteo desechable
Egouttoir jetable | 30. Igniter Module
Módulo de encendido
Module de l'allumeur | |

WARRANTY

Thank you for purchasing a WEBER® product. Weber-Stephen Products LLC, 200 East Daniels Road, Palatine, Illinois 60067-6266 ("Weber") prides itself on delivering a safe, durable, and reliable product.

This is Weber's Voluntary Warranty provided to you at no extra charge. It contains the information you will need to have your WEBER® product repaired in the unlikely event of a failure or defect.

Pursuant to applicable laws, the customer has several rights in case the product is defective. Those rights include supplementary performance or replacement, abatement of the purchasing price, and compensation. In the European Union, for example, this would be a two-year statutory warranty starting on the date of the handover of the product. These and other statutory rights remain unaffected by this warranty provision. In fact, this warranty grants additional rights to the Owner that are independent from statutory warranty provisions.

WEBER'S VOLUNTARY WARRANTY

Weber warrants, to the purchaser of the WEBER® product (or in the case of a gift or promotional situation, the person for whom it was purchased as a gift or promotional item), that the WEBER® product is free from defects in material and workmanship for the period(s) of time specified below when assembled and operated in accordance with the accompanying Owner's Guide. (Note: If you lose or misplace your WEBER® Owner's Guide, a replacement is available online at www.weber.com, or such country-specific website to which Owner may be redirected.) Under normal, private single family home or apartment use and maintenance, Weber agrees within the framework of this warranty to repair or replace defective parts within the applicable time periods, limitations and exclusions listed below. TO THE EXTENT ALLOWABLE BY APPLICABLE LAW, THIS WARRANTY IS EXTENDED ONLY TO THE ORIGINAL PURCHASER AND IS NOT TRANSFERABLE TO SUBSEQUENT OWNERS, EXCEPT IN THE CASE OF GIFTS AND PROMOTIONAL ITEMS AS NOTED ABOVE.

OWNER'S RESPONSIBILITIES UNDER THIS WARRANTY

To ensure trouble-free warranty coverage, it is important (but it is not required) that you register your WEBER® product online at www.weber.com, or such country-specific website to which Owner may be redirected). Please also retain your original sales receipt and/or invoice. Registering your WEBER® product confirms your warranty coverage and provides a direct link between you and Weber in case we need to contact you.

The above warranty only applies if the Owner takes reasonable care of the WEBER® product by following all assembly instructions, usage instructions, and preventative maintenance as outlined in the accompanying Owner's Guide, unless the Owner can prove that the defect or failure is independent of non-compliance with the above mentioned obligations. If you live in a coastal area, or have your product located near a pool, maintenance includes regular washing and rinsing of the exterior surfaces as outlined in the accompanying Owner's Guide.

WARRANTY HANDLING / EXCLUSION OF WARRANTY

If you believe that you have a part which is covered by this Warranty, please contact Weber Customer Service using the contact information on our website (www.weber.com, or such country-specific website to which Owner may be redirected). Weber will, upon investigation, repair or replace (at its option) a defective part that is covered by this Warranty. In the event that repair or replacement are not possible, Weber may choose (at its option) to replace the grill in question with a new grill of equal or greater value. Weber may ask you to return parts for inspection, shipping charges to be pre-paid.

This WARRANTY lapses if there are damages, deteriorations, discolorations and/or rust for which Weber is not responsible caused by:

- Abuse, misuse, alteration, modification, misapplication, vandalism, neglect, improper assembly or installation, and failure to properly perform normal and routine maintenance;
- Insects (such as spiders) and rodents (such as squirrels), including but not limited to damage to burner tubes and/or gas hoses;
- Exposure to salt air and/or chlorine sources such as swimming pools and hot tubs/spas;
- Severe weather conditions such as hail, hurricanes, earthquakes, tsunamis or surges, tornadoes or severe storms.

The use and/or installation of parts on your WEBER® product that are not genuine Weber parts will void this Warranty, and any damages that result hereby are not covered by this Warranty. Any conversion of a gas grill not authorized by Weber and performed by a Weber authorized service technician will void this Warranty.

PRODUCT WARRANTY PERIODS

Cookbox:

10 years, no rust through/burn through
[2 years paint excluding fading or discoloration]

Lid assembly:

10 years, no rust through/burn through

Stainless steel burner tubes:

10 years, no rust through/burn through

Stainless steel cooking grates:

5 years, no rust through/burn through

Stainless steel Flavorizer® bars:

5 years, no rust through/burn through

Porcelain-enameled cast iron cooking grates:

5 years, no rust through/burn through

All remaining parts:

2 years

DISCLAIMERS

APART FROM THE WARRANTY AND DISCLAIMERS AS DESCRIBED IN THIS WARRANTY STATEMENT, THERE ARE EXPLICITLY NO FURTHER WARRANTY OR VOLUNTARY DECLARATIONS OF LIABILITY GIVEN HERE WHICH GO BEYOND THE STATUTORY LIABILITY APPLYING TO WEBER. THE PRESENT WARRANTY STATEMENT ALSO DOES NOT LIMIT OR EXCLUDE SITUATIONS OR CLAIMS WHERE WEBER HAS MANDATORY LIABILITY AS PRESCRIBED BY STATUTE.

NO WARRANTIES SHALL APPLY AFTER THE APPLICABLE PERIODS OF THIS WARRANTY. NO OTHER WARRANTIES GIVEN BY ANY PERSON, INCLUDING A DEALER OR RETAILER, WITH RESPECT TO ANY PRODUCT (SUCH AS ANY "EXTENDED WARRANTIES"), SHALL BIND WEBER. THE EXCLUSIVE REMEDY OF THIS WARRANTY IS REPAIR OR REPLACEMENT OF THE PART OR PRODUCT.

IN NO EVENT UNDER THIS VOLUNTARY WARRANTY SHALL RECOVERY OF ANY KIND BE GREATER THAN THE AMOUNT OF THE PURCHASE PRICE OF THE WEBER PRODUCT SOLD.

YOU ASSUME THE RISK AND LIABILITY FOR LOSS, DAMAGE, OR INJURY TO YOU AND YOUR PROPERTY AND/OR TO OTHERS AND THEIR PROPERTY ARISING OUT OF THE MISUSE OR ABUSE OF THE PRODUCT OR FAILURE TO FOLLOW INSTRUCTIONS PROVIDED BY WEBER IN THE ACCOMPANYING OWNER'S GUIDE.

PARTS AND ACCESSORIES REPLACED UNDER THIS WARRANTY ARE WARRANTED ONLY FOR THE BALANCE OF THE ABOVE MENTIONED ORIGINAL WARRANTY PERIOD(S).

THIS WARRANTY APPLIES TO PRIVATE SINGLE FAMILY HOME OR APARTMENT USE ONLY AND DOES NOT APPLY TO WEBER GRILLS USED IN COMMERCIAL, COMMUNAL OR MULTI-UNIT SETTINGS SUCH AS RESTAURANTS, HOTELS, RESORTS, OR RENTAL PROPERTIES.

WEBER MAY FROM TIME TO TIME CHANGE THE DESIGN OF ITS PRODUCTS. NOTHING CONTAINED IN THIS WARRANTY SHALL BE CONSTRUED AS OBLIGATING WEBER TO INCORPORATE SUCH DESIGN CHANGES INTO PREVIOUSLY MANUFACTURED PRODUCTS, NOR SHALL SUCH CHANGES BE CONSTRUED AS AN ADMISSION THAT PREVIOUS DESIGNS WERE DEFECTIVE.

WEBER-STEPHEN PRODUCTS LLC

Customer Service Center

2900 Golf Road
Rolling Meadows, IL 60008
U.S.A.

For replacement parts, call:

1-800-446-1071

GENERAL INSTRUCTIONS

The Weber® gas grill is portable so you can easily change its location in your yard or on your patio. Portability means you can take your Weber® gas grill with, if you move.

Liquid Propane (LP) gas supply is easy to use and gives you more cooking control than charcoal fuel.

- These instructions will give you the minimum requirements for assembling your Weber® gas grill. Please read the instructions carefully before using your Weber® gas grill. Improper assembly can be dangerous.
- Not for use by children.
- If there are local codes that apply to portable gas grills, you will have to conform to them. Installation must conform with local codes or, in the absence of local codes, with either the National Fuel Gas Code, ANSI Z223.1/NFPA 54, Natural Gas and Propane Installation Code, CSA B149.1, or Propane Storage and Handling Code, B149.2, or the Standard for Recreational Vehicles, ANSI A 119.2/NFPA 1192, and CSA Z240 RV Series, Recreational Vehicle Code, as applicable.
- The pressure regulator supplied with the Weber® gas grill must be used. This regulator is set for 11 inches of water column (pressure).
- This Weber® gas grill is designed for use with liquid propane (LP) gas only. Do not use with natural (piped in city) gas. The valves, orifices, hose and regulator are for LP gas only.
- Do not use with charcoal fuel.
- Check that the area under the control panel and the slide out grease tray are free from debris that might obstruct the flow of combustion or ventilation air.
- The areas around the LP tank must be free and clear from debris.
- Replacement pressure regulators and hose assemblies must be those specified by Weber-Stephen Products LLC. ♦

CANADIAN INSTALLATION

These instructions, while generally acceptable, do not necessarily comply with the Canadian Installation codes, particularly with piping above and below ground. In Canada, the installation of this appliance must comply with local codes and/or the latest edition of Standard CAN/CSA-B149.2 (Propane Storage and Handling Code). ♦

OPERATING

- ⚠ **WARNING: Only use this grill outdoors in a well-ventilated area. Do not use in a garage, building, breezeway or any other enclosed area.**
- ⚠ **WARNING: Keep ventilation openings for tank enclosure free and clear from debris.**
- ⚠ **WARNING: Your Weber® gas grill shall not be used under overhead combustible construction.**
- ⚠ **WARNING: Your Weber® gas grill is not intended to be installed in or on recreational vehicles and/or boats.**
- ⚠ **WARNING: Do not use the grill within 24 inches of combustible materials.**
- ⚠ **WARNING: The entire cookbox gets hot when in use. Do not leave unattended.**
- ⚠ **WARNING: Keep electrical supply cord and the fuel supply hose away from heated surfaces.**
- ⚠ **WARNING: Keep the cooking area clear of flammable vapors and liquids such as gasoline, alcohol, etc., and combustible materials.**
- ⚠ **WARNING: Never store an extra (spare) LP tank under or near the Weber® gas grill.**
- ⚠ **WARNING: The LP tank used with your grill must be with a listed OPD (Overfilling Prevention Device) and a QCC1 or Type 1 (CGA810) tank connection. The tank connection must be compatible with the grill connection. ♦**

STORAGE AND/OR NONUSE

- The gas must be turned off at the liquid propane tank when the Weber® gas grill is not in use.
- When the Weber® gas grill is stored indoors, the gas supply must be DISCONNECTED and the LP tank stored outdoors in a well-ventilated space.
- LP tank must be stored outdoors in a well-ventilated area out of reach of children. Disconnected LP tank must not be stored in a building, garage or any other enclosed area.
- When the LP tank is not disconnected from the Weber® gas grill, the appliance and LP tank must be kept outdoors in a well-ventilated space.
- The Weber® gas grill should be checked for gas leaks and any obstructions in the burner tubes before using. (Refer to "MAINTENANCE/ANNUAL MAINTENANCE").
- Check that the areas under the control panel and the drip tray are free from debris that might obstruct the flow of combustion or ventilation air.
- The Spider/Insect screens should also be checked for any obstructions. (Refer to "MAINTENANCE/ANNUAL MAINTENANCE"). ♦

GAS INSTRUCTIONS

SAFE HANDLING TIPS FOR LIQUID PROPANE GAS TANKS

- Liquid Propane (LP) gas is a petroleum product as are gasoline and natural gas. LP gas is a gas at regular temperatures and pressures. Under moderate pressure, inside a tank, LP gas is a liquid. As the pressure is released, the liquid readily vaporizes and becomes gas.
- LP gas has an odor similar to natural gas. You should be aware of this odor.
- LP gas is heavier than air. Leaking LP gas may collect in low areas and prevent dispersion.
- To fill, take the LP tank to a propane gas dealer, or look up "gas-propane" in the phone book for other sources of LP gas.

⚠ WARNING: We recommend that your LP tank be filled at an authorized LP gas dealer, by a qualified attendant, who fills the tank by weight. IMPROPER FILLING IS DANGEROUS.

- Air must be removed from a new LP tank before the initial filling. Your LP dealer is equipped to do this.
- The LP tank must be installed, transported, and stored in an upright position. LP tanks should not be dropped or handled roughly.
- Never store or transport the LP tank where temperatures can reach 125° F (too hot to hold by hand). For example: do not leave the LP tank in a car on a hot day.

Note: A refill will last about 18–20 hours of cooking time at normal use. The fuel scale, a feature on some of our grills, will indicate the propane supply so you can refill the tank before running out. You do not have to run out before you refill.

- Treat "empty" LP tanks with the same care as when full. Even when the LP tank is empty of liquid, there still may be gas pressure in the tank. Always close the tank valve before disconnecting.

⚠ CAUTION: Place dust cap on tank valve outlet whenever the tank is not in use. Only install the type of dust cap on the tank valve outlet that is provided with the tank valve. Other types of caps or plugs may result in leakage of propane.

- Do not use a damaged LP tank. A dented or rusty LP tank or an LP tank with a damaged valve may be hazardous and should be replaced with a new one immediately.
- The joint where the hose connects to the LP tank must be leak tested each time the LP tank is reconnected. For example, test each time the LP tank is refilled.
- Be sure the regulator is mounted with the small vent hole pointed downward so that it will not collect water. This vent should be free of dirt, grease, bugs, etc.
- The gas connections supplied with your Weber® gas appliance have been designed and tested to meet 100% CSA and ANSI requirements.

⚠ WARNING: Replacement LP tanks must match the regulator connection supplied with this Weber® gas appliance.

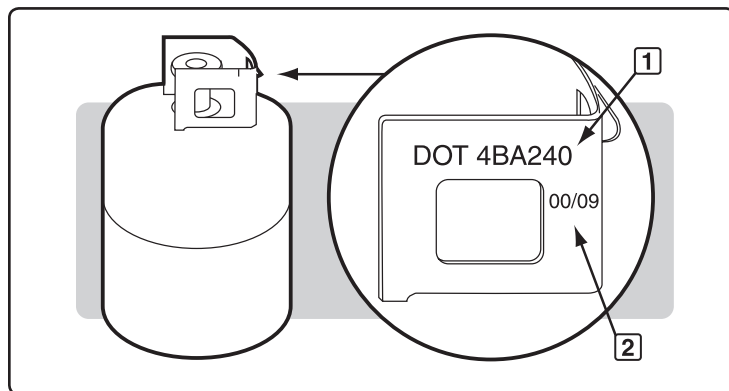
Liquid Propane Tank Requirements

- Check to be sure that tanks have a D.O.T. certification (1), and that they have been date tested (2) is within five years of use. Your LP gas supplier can do this for you.
- All LP tank supply systems must include a collar to protect the tank valve.
- The LP tank must be a 20-lb. size approximately 18¼ inches high and 12¼ inches in diameter.
- The tank must be constructed and marked in accordance with the Specifications for LP - Gas Tanks of the U.S. Department of Transportation (D.O.T.) or the National Standard of Canada, CAN/CSA-B339, Tanks, Spheres and Tubes or Transportation of Dangerous Goods; and Commission, as applicable.

Canadian Liquid Propane Tank Requirements

Note: Your retailer can help you match a replacement tank to your grill.

- The LP tank must be constructed and marked in accordance with the specifications for LP gas tanks, T.C. ♦



GAS INSTRUCTIONS

IMPORTANT LP TANK INFORMATION

⚠ DANGER

NEVER store a spare LP tank under or near Weber® gas appliances. **NEVER** fill the tank beyond 80% full. Failure to follow these statements exactly may result in a fire causing death or serious injury.

Weber® gas appliances are equipped for a tank supply system designed for vapor withdrawal.

⚠ WARNING: Only use Weber® gas appliances outdoors in a well-ventilated area. Do not use in a garage, building, breezeway or any other enclosed area.

The proper filling methods for the filling of your tank are by weight or volume, as described in NFPA 58. Please make sure your filling station fills your LP tank by weight or volume. Ask your filling station to read purging and filling instructions on the LP tank before attempting to fill. ♦

LEAK CHECK PREPARATION

Check that all Burner Valves are Off

Valves are shipped in the OFF position, but you should check to be sure that they are turned off. Check by pushing down and turning clockwise. If they do not turn, they are off. If they do turn, continue turning them clockwise until they stop, then they are off.

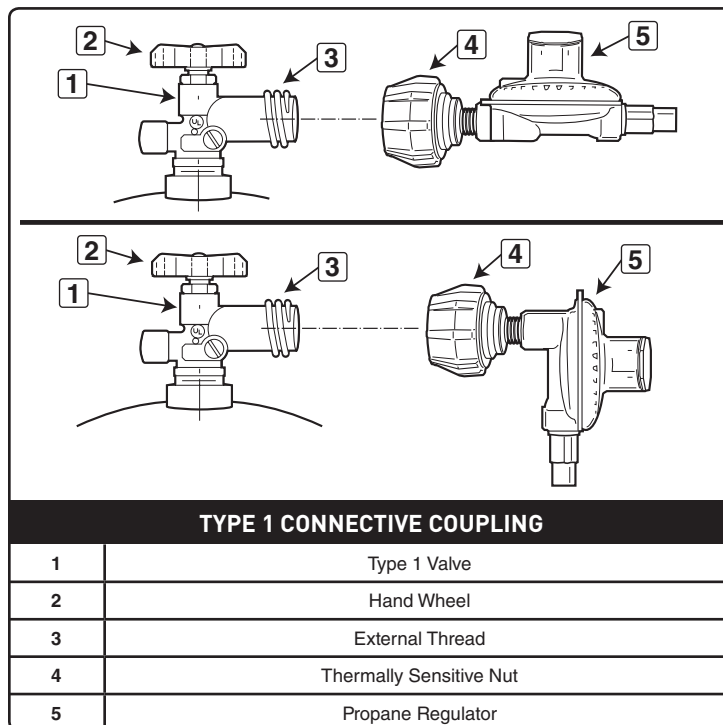
The Liquid Propane Tank

All Weber® liquid propane gas grill regulators are equipped with a UL-Listed tank connection as per the latest edition of ANSI Z21.58. This will require a liquid propane tank that is similarly equipped with a Type 1 connection in the tank valve. This Type 1 coupling allows you to make a fast and totally safe hookup between your gas grill and your liquid propane tank. It eliminates the chance of leaks due to a POL fitting that is not properly tightened. Gas will not flow from the tank unless the Type 1 coupling is fully engaged into the coupling.

⚠ WARNING: Make sure that the LP tank valve is closed. Close by turning valve clockwise.

⚠ DANGER

Do not use an open flame to check for gas leaks. Be sure there are no sparks or open flames in the area while you check for leaks. Sparks or flames will result in a fire or explosion which can cause serious bodily injury or death, and damage to property.



GAS INSTRUCTIONS

- A) Open base cabinet doors. Bring regulator and hose forward out of cabinet (1).
- B) Locate hose retention clip (2) on regulator hose. Secure into slot (3) on underside of tank scale.

⚠ WARNING: The hose must be secured to the tank scale with the Hose Retention Clip. Failure to do so could cause damage to the hose resulting in a fire or explosion which can cause serious bodily injury or death, and damage to property.

Some LP tanks have differing top collar assemblies. (The top collar is the metal protective ring around the valve.) One series of tanks mount with the valve facing front (4). The other tanks mount with the valve facing away from the fuel scale (5). Weber recommends the use of tank manufacturer's Manchester and Worthington, with a 47.6 lb water capacity. Other tanks may be acceptable for use with the appliance provided they are compatible with the appliance retention means (see illustrations).

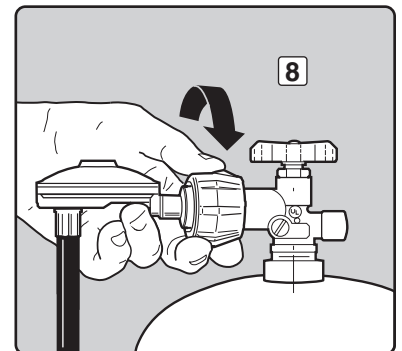
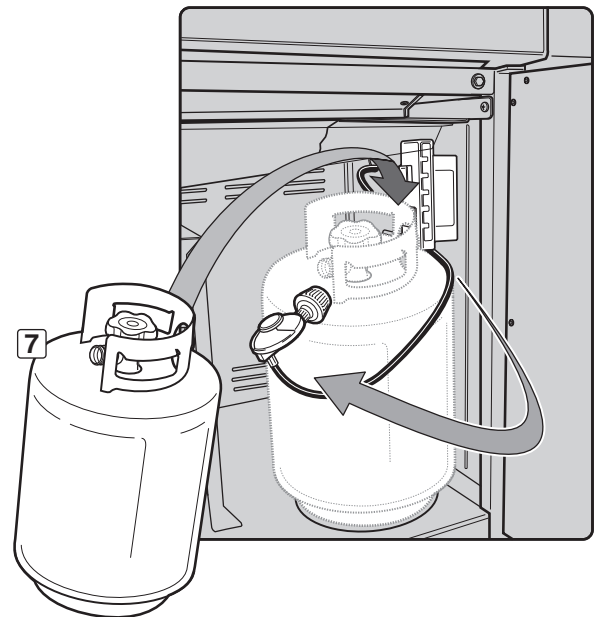
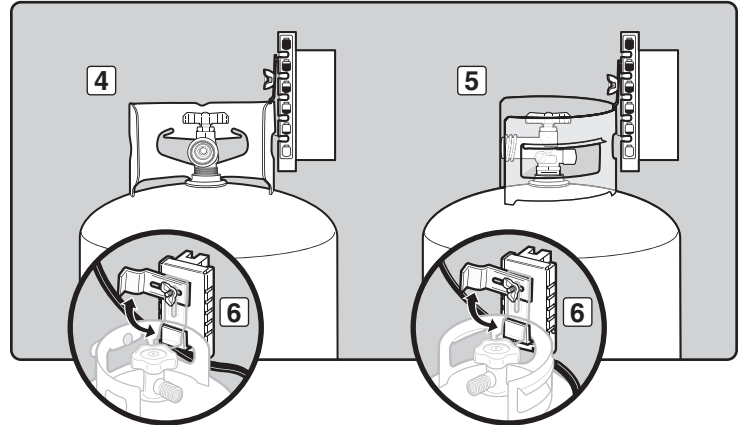
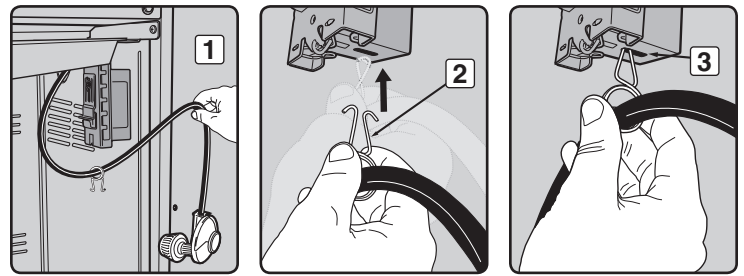
- The LP tank is installed inside the base cabinet, on the tank scale (right side).
- C) Loosen tank lock wing nut. Swing tank lock up (6).
- D) Turn the LP tank so the opening of the valve is either to the front or side of the Weber® gas grill.
- E) Lift tank up into position on the tank scale (7).
- F) Swing the tank lock down. Tighten the wing nut.

Connect the Hose to the Tank

- A) Remove the plastic dust cover from the valve.
- B) Screw the regulator coupling onto the tank valve, clockwise, or to the right (8). Hand-tighten only.

Note: This connection tightens clockwise and will not allow gas to flow unless the connection is tight. The connection requires tightening by hand only.

⚠ WARNING: Do not use a wrench to tighten the connection. Using a wrench could damage the regulator coupling and could cause a leak. ♦



GAS INSTRUCTIONS

Remove Control Knobs & Control Panel for Leak Testing

You will need: Phillips & flathead screwdrivers.

- A) Locate door pin release in door assembly. Using a screwdriver, push down on door pin release (1) until door detaches from frame assembly. Pull top of door away from frame assembly (2) and lift door off bottom adjustable hinge pin.
- B) Remove control knobs, igniter button, retention nut, and battery (3).
- C) Remove screws from wind deflector with a Phillips screwdriver (4).
- D) Tilt end of wind deflector down and slide wind deflector away to remove (5).
- E) Let igniter module dangle from wires. Do not disconnect (6).
- F) Remove screws from underside of control panel with Phillips screwdriver (7).
- G) Lift control panel up slightly, tilt up front edge and gently lift up (8).
- H) Replace control panel and wind deflector when leak check is completed. ♦

CHECK FOR GAS LEAKS

⚠ DANGER

Do not use an open flame to check for gas leaks. Be sure there are no sparks or open flames in the area while you check for leaks. Sparks or open flames will result in a fire or explosion, which can cause serious bodily injury or death and damage to property.

Note: All factory-made connections have been thoroughly checked for gas leaks. The burners have been flame-tested. As a safety precaution, however, you should recheck all fittings for leaks before using your Weber® gas grill. Shipping and handling may loosen or damage a gas fitting.

⚠ WARNING: The gas connections of your gas grill have been factory tested. We do however recommend that you leak check all gas connections before operating your gas grill.

⚠ WARNING: Perform these leak checks even if your grill was dealer or store assembled.

If your grill has a side burner, make sure the side burner is turned off.

Turn on gas supply at source.

⚠ WARNING: Do not ignite burners when leak checking.

You will need: A soap and water solution and a rag or brush to apply it.

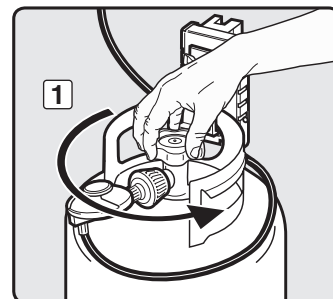
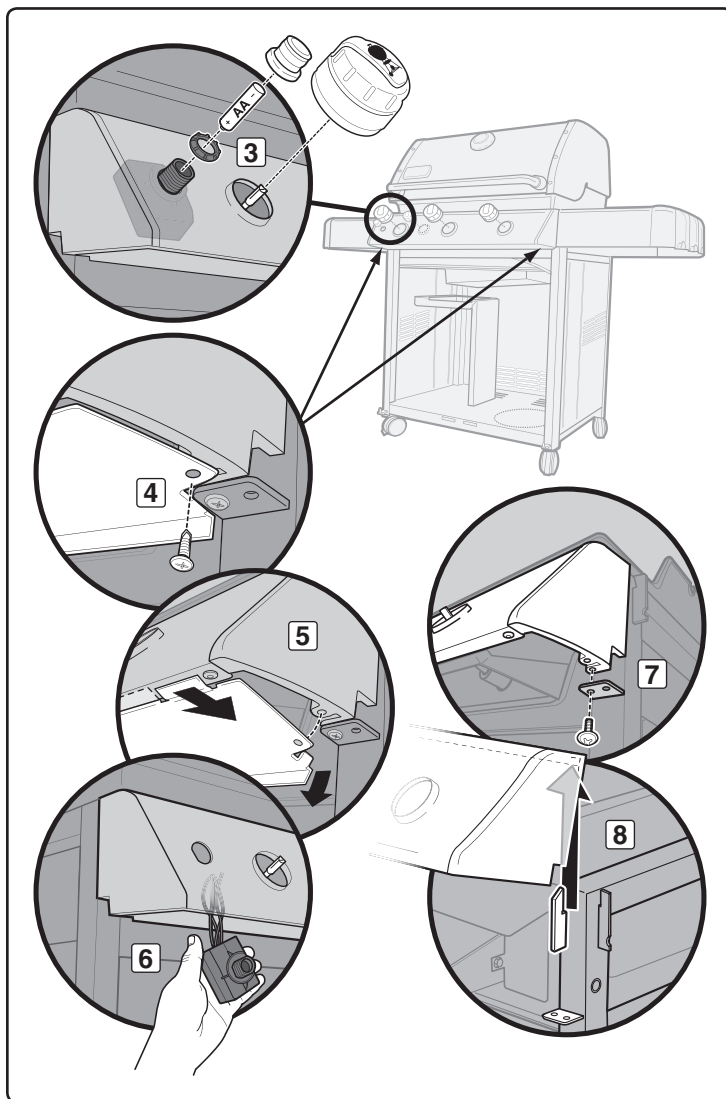
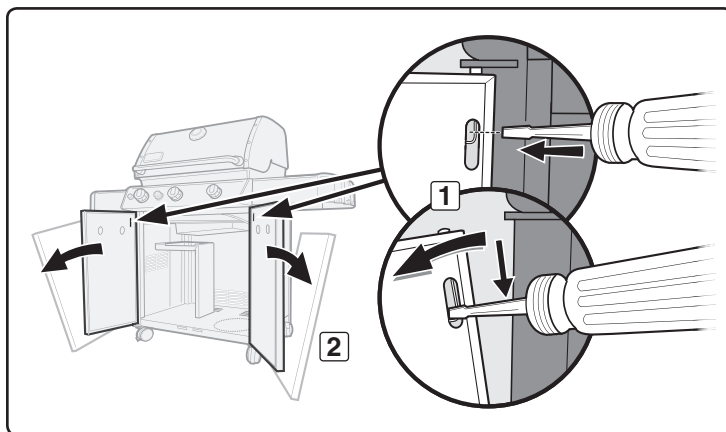
- A) Mix soap and water.
- B) Turn on gas supply (1).
- C) Check for leaks by wetting the fitting with the soap and water solution and watching for bubbles. If bubbles form, or if a bubble grows, there is a leak.

If there is a leak, turn off the gas and tighten the fitting. Turn the gas back on and recheck with the soap and water solution. If leak does not stop, do not use the grill. Contact the Customer Service representative in your area using the contact information on our web site. Log onto www.weber.com.

- D) When leak checking is complete, turn gas supply off at the source and rinse connections with water.

Note: Since some leak test solutions, including soap and water, may be slightly corrosive, all connections should be rinsed with water after checking for leaks.

⚠ WARNING: You should check for gas leaks every time you disconnect and reconnect a gas fitting.



GAS INSTRUCTIONS

Check

- A) Regulator hose to bulkhead connection (1).
- B) Main gas line to bulkhead connection (2).
- C) Main gas line to manifold connections (3).

⚠ **WARNING: If there is a leak at connections (1, 2, or 3), retighten the fitting with a wrench and recheck for leaks with soap and water solution. If a leak persists after retightening the fitting, turn OFF the gas. DO NOT OPERATE THE GRILL. Contact the Customer Service Representative in your area using the contact information on our web site. Log onto www.weber.com.**

- D) Regulator hose to tank connection (4).
- E) Regulator hose to regulator connection (5).
- F) Valves to manifold connections (6).

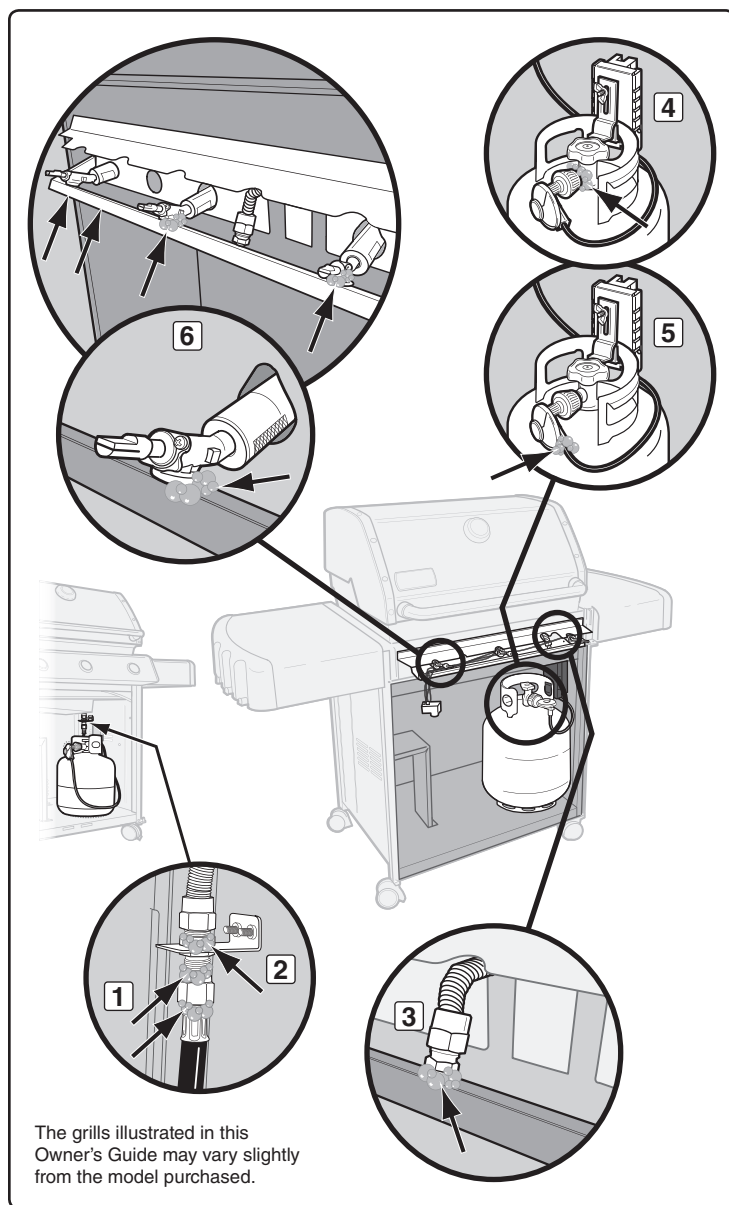
⚠ **WARNING: If there is a leak at connections (4, 5, or 6), turn OFF the gas. DO NOT OPERATE THE GRILL. Contact the Customer Service Representative in your area using the contact information on our web site. Log onto www.weber.com.**

When leak checks are complete, turn gas supply OFF at the source and rinse connections with water.

Reinstall Control Panel

You will need: Phillips screwdriver.

- A) Position top edge of control panel on tabs of frame. Push down into position.
- B) Reinstall igniter module.
- C) Slide both shorter wind deflector tabs toward inside edge of control panel while you slide longer tab over outside edge. Seek previous illustrations for reference.
- D) Line up screws with screw holes on both control panel bracket and frame.
- E) Tighten screws.
- F) Place corresponding control knobs onto valve stems. ♦



REFILLING THE LIQUID PROPANE TANK

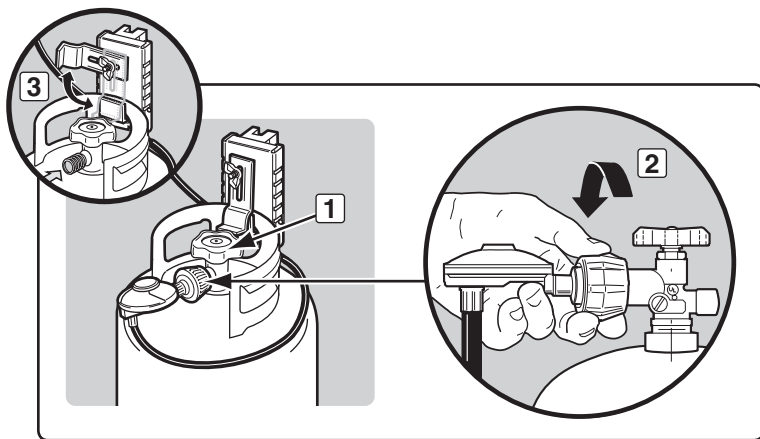
We recommend that you refill the LP tank before it is completely empty.

Removal of the LP tank:

- A) Close tank valve (turn clockwise) (1).
- B) Unscrew regulator coupling by turning counterclockwise, by hand only (2).
- C) Loosen tank lock wing nut and turn tank lock up out of the way (3).
- D) Lift tank off.

To fill, take the LP tank to a gas propane dealer, or look up "gas-propane" in the phone book for other sources of LP gas.

- ⚠ **WARNING: We recommend that your LP tank be filled at an authorized LP gas dealer, by a qualified attendant, who fills the tank by weight. IMPROPER FILLING IS DANGEROUS.**
- ⚠ **CAUTION: Place dust cap on tank valve outlet whenever the tank is not in use. Only install the type of dust cap on the tank valve outlet that is provided with the tank valve. Other types of caps or plugs may result in leakage of propane. ♦**

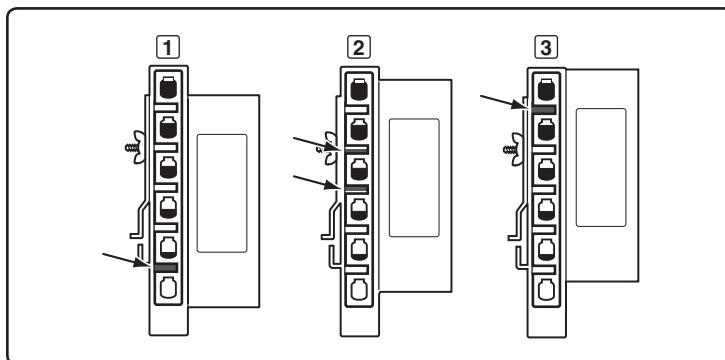


BEFORE USING THE GRILL

FUEL LEVEL

Check the fuel level by viewing the color indicator level line, located on the side of the tank scale.

- A) Empty (1)
- B) Medium (2)
- C) Full (3) ♦



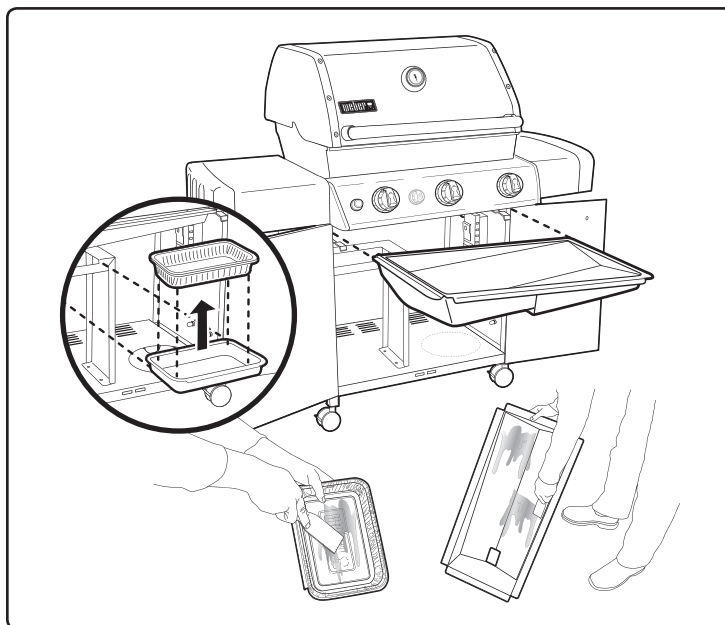
SLIDE-OUT GREASE TRAY AND DISPOSABLE DRIP PAN

Your grill was built with a grease collection system. Check the slide-out grease tray and disposable drip pan for grease build-up each time you use your grill.

Remove excess grease with a plastic spatula; see illustration. When necessary, wash the grease tray and drip pan with a soap and water solution, then rinse with clean water. Replace the disposable drip pan as needed.

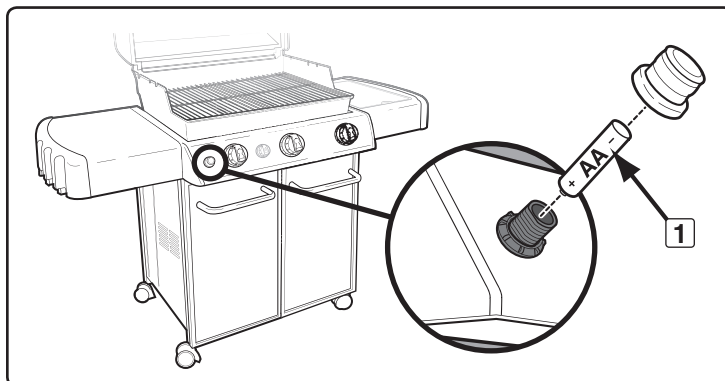
⚠ WARNING: Check the slide-out grease tray and disposable drip pan for grease build-up before each use. Remove excess grease to avoid a grease fire. A grease fire can cause serious bodily injury or damage to property.

⚠ CAUTION: Do not line the slide-out grease tray with aluminum foil. ♦



ELECTRONIC IGNITER INSPECTION

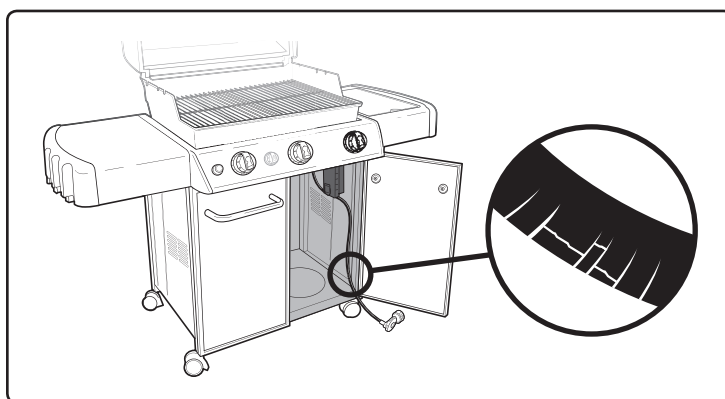
Verify that your AA battery (alkaline only) is in good condition and that it is installed correctly (1). Some batteries have a plastic protective wrap around them. This plastic must be removed. Do not confuse this plastic with the battery label. ♦



HOSE INSPECTION

The hose should be inspected for any signs of cracking.

⚠ WARNING: Check hose before each use of grill for nicks, cracking, abrasions or cuts. If the hose is found to be damaged in any way, do not use the grill. Replace using only Weber® authorized replacement hose. Contact the Customer Service Representative in your area using the contact information on our web site. Log onto www.weber.com. ♦



MAIN BURNER IGNITION & USAGE

MAIN BURNER IGNITION

Note: Summary lighting instructions are inside the left-hand cabinet door.

⚠ DANGER

Failure to open the lid while igniting the grill's burners, or not waiting five minutes to allow the gas to clear if the grill does not light, may result in an explosive flare-up which can cause serious bodily injury or death.

- A) Open the lid (1).
- B) Make sure all burner control knobs are turned off (2). (Push control knob in and turn it clockwise to ensure that it is in the OFF position.)

⚠ WARNING: The burner control knobs must be in the OFF position before turning on the LP tank valve (3). If they are not in the OFF position, when you turn on the LP tank valve, the "excess gas flow control" feature will activate, limiting the flow of gas from the LP tank. If this should occur, turn OFF the LP tank valve and burner control knobs. Start over.

⚠ DANGER

When the "excess gas flow control" feature is activated, a small amount of gas is still flowing to the burners. After turning off the LP tank valve and burner control knobs, wait at least five minutes for the gas to clear before attempting to light the grill. Failure to do so may result in an explosive flare-up, which can cause serious bodily injury or death.

- C) Turn the LP tank on by slowly turning the tank valve counterclockwise; wait 60 seconds before pushing the control knob in and turning it to START/HIGH (3).

Electronic Ignition System

Each control knob operates an individual burner, and each burner ignites with an electronic igniter. The electronic ignition system ignites each burner individually with a spark from the igniter electrode inside the Gas Catcher™ ignition chamber. You generate the energy for the spark by pushing the electronic ignition button. You will hear it clicking.

- D) Ignite the burners individually from left to right. Begin with the burner on the left; push control knob in and turn it to START/HI (4). Push and hold in the electronic ignition button (5). You will hear it clicking. Check that the left burner is lit by looking through the cooking grates. You should see a flame (6).

⚠ WARNING: Do not lean over the open grill.

- E) Ignite center burner by pushing control knob in and turning it to START/HI (7). Then, push and hold in the electronic ignition button (5). You will hear it clicking. Check that the center burner is lit by looking through the cooking grates.

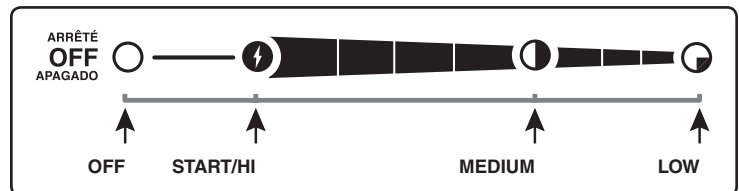
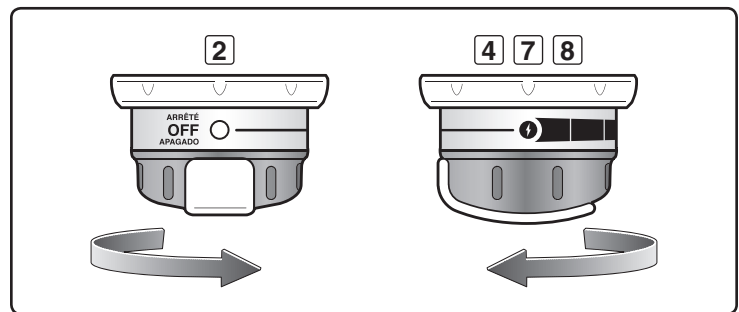
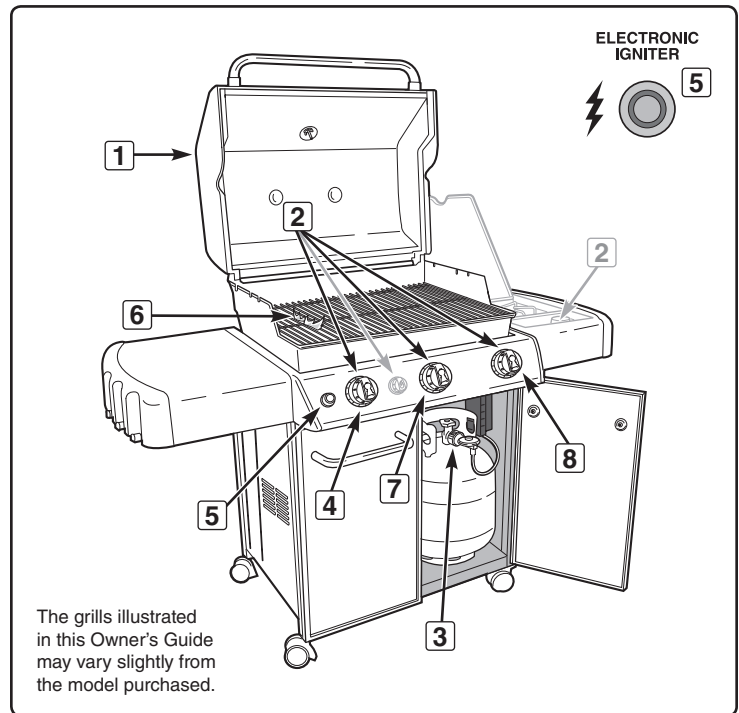
- F) Ignite right burner by pushing control knob in and turning it to START/HI (8). Push and hold in the electronic ignition button (5). You will hear it clicking. Confirm that the right burner is lit by looking through the cooking grates.

⚠ WARNING: Each burner must be ignited individually by pushing the electronic ignition button. Failure to do so may cause a flare-up of gas which can cause serious bodily injury and damage to property.

⚠ WARNING: If any burner fails to ignite during lighting, within five seconds, stop, turn the burner control knob to OFF and wait five minutes to allow the gas to clear before you try again or light with a match. ♦

TO EXTINGUISH

Push in and turn each burner control knob clockwise to the OFF position. Turn gas supply off at the source. ♦



MAIN BURNER IGNITION & USAGE

MAIN BURNER MANUAL IGNITION

⚠ DANGER

Failure to open the lid while igniting the grill's burners, or not waiting five minutes to allow the gas to clear if the grill does not light, may result in an explosive flare-up which can cause serious bodily injury or death.

- A) Open the lid (1).
- B) Make sure all burner control knobs are turned off (2). (Push control knob in and turn it clockwise to ensure that it is in the OFF position.)
- ⚠ **WARNING:** The burner control knobs must be in the OFF position before turning on the LP tank valve (3). If they are not in the OFF position, when you turn on the LP tank valve, the "excess gas flow control" feature will activate, limiting the flow of gas from the LP tank. If this should occur, turn OFF the LP tank valve and burner control knobs. Start over.

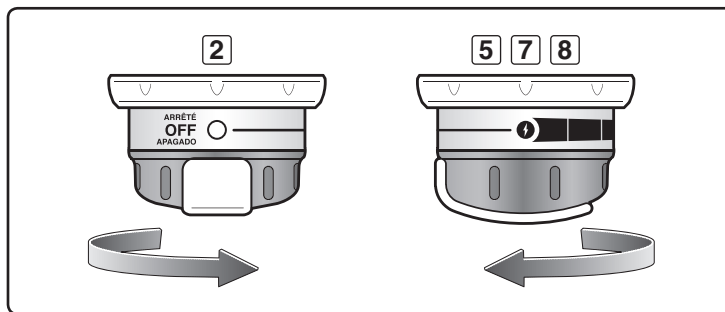
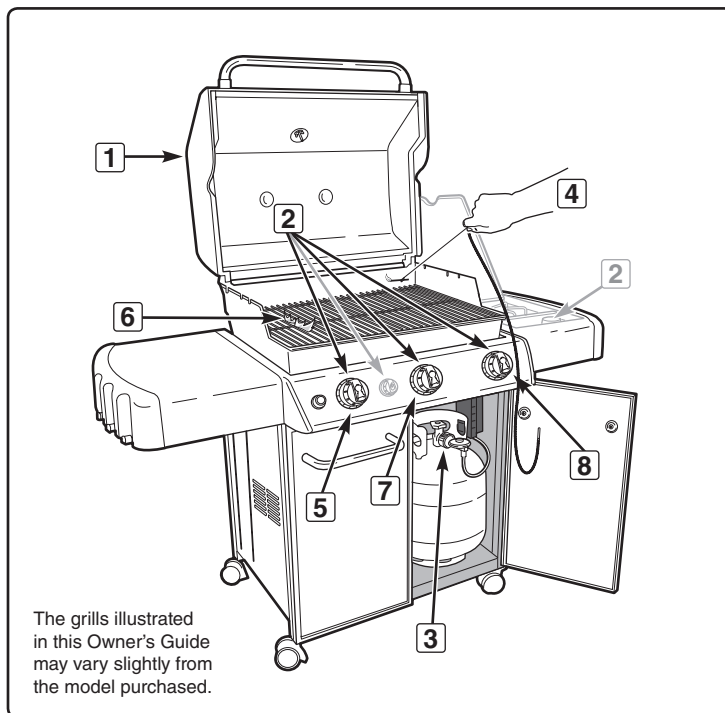
⚠ DANGER

When the "excess gas flow control" feature is activated, a small amount of gas is still flowing to the burners. After turning off the LP tank valve and burner control knobs, wait at least five minutes for the gas to clear before attempting to light the grill. Failure to do so may result in an explosive flare-up, which can cause serious bodily injury or death.

- C) Turn the LP tank on by slowly turning the tank valve counterclockwise; wait 60 seconds before pushing the control knob in and turning it to START/HIGH (3).
- D) Ignite the burners individually from left to right. Begin with the burner on the left. Put match in the match holder and strike match. Insert match holder with lit match down through cooking grates, past the Flavorizer® bars and adjacent to the left burner (4). Push control knob in (5) and turn it to START/Hi to ignite the left burner. Check that the left burner is lit by looking through the cooking grates. You should see a flame (6).
- ⚠ **WARNING:** Do not lean over the open grill.
- E) Ignite center burner by putting match in the match holder and striking match. Then, insert match holder with lit match down through cooking grates, past the Flavorizer® bars and adjacent to the center burner. Push control knob in (7) and turn it to START/Hi to ignite the center burner. Check that the center burner is lit by looking through the cooking grates.
- F) Ignite right burner by putting match in the match holder and striking match. Then, insert match holder with lit match down through cooking grates, past the Flavorizer® bars and adjacent to the right burner. Push control knob in (8) and turn it to START/Hi to ignite the right burner. Check that the right burner is lit by looking through the cooking grates.
- ⚠ **WARNING:** If any burner fails to ignite during lighting, within five seconds, stop, turn the burner control knob to OFF and wait five minutes to allow the gas to clear before you try again. ♦

TO EXTINGUISH

Push in and turn each burner control knob clockwise to the OFF position. Turn gas supply off at the source. ♦



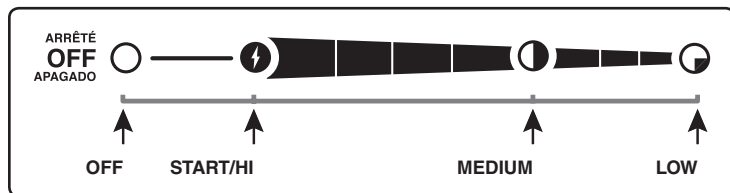
GRILLING TIPS & HELPFUL HINTS

- Always preheat the grill before cooking. Set all burners on HI heat and close lid; heat for 10 minutes, or until thermometer registers 500° – 550° F (260° – 288°C).
- Sear meats and cook with the lid down for perfectly grilled food every time.
- Grilling times in recipes are based on 70°F (20°C) weather and little or no wind. Allow more cooking time on cold or windy days, or at higher altitudes. Allow less cooking time in extremely hot weather.
- Grilling times can vary because of the weather, or the amount, size, and shape of the food being grilled.
- The temperature of your gas grill may run hotter than normal for the first few uses.
- Grilling conditions may require adjustment of the burner controls to attain the correct cooking temperatures.
- In general, large pieces of meat will require more cooking time per pound than small pieces of meat. Foods on a crowded cooking grate will require more cooking time than just a few foods. Foods grilled in containers, such as baked beans, will require more time if grilled in a deep casserole rather than a shallow baking pan.
- Trim excess fat from steaks, chops, and roasts, leaving no more than a scant ¼ inch (6.4 mm) of fat. Less fat makes cleanup easier, and is a virtual guarantee against unwanted flare-ups.
- Foods placed on the cooking grate directly above burners may require turning or moving to a less hot area.
- Use tongs rather than a fork for turning and handling meats to avoid losing natural juices. Use two spatulas for handling large whole fish.
- If an unwanted flare-up should occur, turn all burners off and move food to another area of the cooking grate. Any flames will quickly subside. After flames subside, relight the grill. **NEVER USE WATER TO EXTINGUISH FLAMES ON A GAS GRILL.**
- Some foods, such as a casserole or thin fish fillets, will require a container for grilling. Disposable foil pans are very convenient, but any metal pan with ovenproof handles can also be used.
- Always be sure the slide-out grease tray and catch pan are clean and free from debris.
- Do not line the slide-out grease tray with foil. This could prevent the grease from flowing into the catch pan.
- Using a timer will help to alert you when “well done” is about to become “overdone.” ♦

PREHEATING

Your Weber® gas grill is an energy-efficient appliance. It operates at an economical low BTU rate. Preheating the grill before grilling is important. Light your grill according to the instructions in this Owner's Guide. To preheat: after lighting, turn all burners to START/HI, close the lid, and heat until the temperature reaches between 500° and 550° F (260° and 290° C), the recommended broiling temperature. This will take 10 to 15 minutes depending on conditions such as air temperature and wind.

You can adjust the individual burners as desired. The control settings are OFF, START/HI, MEDIUM, or LOW.



Note: Cooking conditions, such as wind and weather, may require adjustment of burner controls to obtain the correct cooking temperatures.

Note: If grill loses heat while cooking, refer to the troubleshooting section of this manual.

⚠ WARNING: Do not move the Weber® gas grill when operating or while grill is hot.

If burners go out during cooking, turn all burner knobs off and wait five minutes before relighting. ♦

COVERED COOKING

All grilling is done with the lid down to provide uniform, evenly circulated heat. With the lid closed, the gas grill cooks much like a convection oven. The thermometer in the lid indicates the cooking temperature inside the grill. All preheating and grilling is done with the lid down. No peeking — heat is lost every time you lift the lid. ♦

DRIPPINGS AND GREASE

The Flavorizer® bars are designed to “smoke” the correct amount of drippings for flavorful cooking. Excess drippings and grease will accumulate in the catch pan under the slide-out grease tray. Disposable foil drip pans are available that fit the catch pan.

⚠ WARNING: Check the slide-out grease tray and catch pan for grease build-up before each use. Remove excess grease to avoid a grease fire in the slide-out grease tray. ♦

FLAVORIZER® SYSTEM

When meat juices drip from the food onto the specially angled Flavorizer® bars, they create smoke that gives foods an irresistible grilled flavor. Thanks to the unique design of the burners, Flavorizer® bars and the flexible temperature controls, uncontrolled flare-ups are virtually eliminated, because YOU control the flames. Because of the special design of the Flavorizer® bars and burners, excess fats are directed through the slide-out grease tray into the grease catch pan. ♦

TROUBLESHOOTING

PROBLEM	CHECK	SOLUTION
Burners burn with a yellow or orange flame, in conjunction with the smell of gas.	Inspect Spider/Insect screens for possible obstructions. (Blockage of holes.)	Clean Spider/Insect screens. Refer to "ANNUAL MAINTENANCE".
Symptoms: Burners do not ignite. -or- Burners have a small flickering flame in the HI position. -or- Grill temperature only reaches 250° to 300° in the HI position.	The excess flow safety device, which is part of the grill to tank connection, may have activated.	To reset the excess flow safety device close the LP tank valve and turn all burner control knobs to the OFF position. Open the grill lid. Slowly turn the LP tank valve until it is completely open. Wait several seconds then ignite your grill. Refer to "MAIN BURNER IGNITION".
Burner does not light, or flame is low in HI position.	Is LP fuel low or empty?	Refill LP tank.
	Is fuel hose bent or kinked?	Straighten fuel hose.
Burner does not ignite when you push the igniter button.	Be sure that there is gas flow to the burners by attempting to match light your burners. Refer to "MAIN BURNER MANUAL IGNITION".	If match lighting is successful, the problem lies in the ignition system. Refer to "ELECTRONIC IGNITION SYSTEM OPERATIONS".
	Is there a fresh battery installed?	Verify that the battery is in good condition and installed correctly. Refer to "ELECTRONIC IGNITER INSPECTION".
	Are the wires connected properly to the ignition module?	Be sure that wires are correctly inserted into terminals on ignition box. Refer to "ELECTRONIC IGNITION SYSTEM OPERATIONS".
	Is there plastic wrapping around the new battery?	Remove plastic wrapping.
Experiencing flare-ups: ⚠ CAUTION: Do not line the slide-out grease tray with aluminum foil.	Are you preheating grill in the prescribed manner?	All burners on HI for 10 to 15 minutes for preheating.
	Are the cooking grates, heat deflectors, and Flavorizer® bars heavily coated with burned-on grease?	Clean thoroughly. Refer to "CLEANING".
	Is the slide-out grease tray dirty and not allowing grease to flow into catch pan?	Clean slide-out grease tray.
Burner flame pattern is erratic. Flame is low when burner is on HI. Flames do not run the whole length of the burner tube.	Are burners clean?	Clean burners. Refer to "MAINTENANCE".
Inside of lid appears to be "peeling." (Resembles paint peeling.)	The inside of the lid is porcelain enamel or stainless steel, and is not painted. It cannot "peel." What you are seeing is baked on grease that has turned to carbon and is flaking off. THIS IS NOT A DEFECT.	Clean thoroughly. Refer to "CLEANING".
Cabinet doors are not aligned.	Check the adjustment pin on the bottom of each door.	Loosen adjustment nut/s. Slide door/s until aligned. Tighten nut.
If problems cannot be corrected by using these methods, please contact the Customer Service Representative in your area using the contact information on our web site. Log onto www.weber.com .		

MAINTENANCE

CLEANING

⚠ WARNING: Turn your Weber® gas grill off and wait for it to cool before cleaning.

Outside surfaces — Use a warm soapy water solution to clean, then rinse with water.

⚠ CAUTION: Do not use oven cleaner, abrasive cleansers (kitchen cleansers), cleaners that contain citrus products, or abrasive cleaning pads on grill or cart surfaces.

Slide-out grease tray — Remove excess grease, wash with warm soapy water, then rinse.

⚠ CAUTION: Do not line the slide-out grease tray with aluminum foil.

Flavorizer® bars and cooking grates — Clean with a suitable stainless steel bristle brush. As needed, remove from grill and wash with warm soapy water, then rinse with water.

⚠ CAUTION: Grill brushes should be checked for loose bristles and excessive wear on a regular basis. Replace brush if any loose bristles are found on cooking grates or brush. Weber recommends purchasing a new stainless steel grill brush at the beginning of every spring.

⚠ CAUTION: Do not clean your Flavorizer® bars or cooking grates in a self-cleaning oven.

For availability of replacement cooking grates and Flavorizer® bars, contact the Customer Service Representative in your area using the contact information on our website. Log onto www.weber.com.

Catch pan — Check the catch pan for grease build-up each time you use your grill. Remove excess grease with a plastic scraper. Wash the catch pan with warm, soapy water and rinse with water. Disposable Weber® drip pans are available that fit the catch pan.

Thermometer — Wipe with warm soapy water; clean with plastic scrub ball.

Cookbox — Brush any debris off of burner tubes. **DO NOT ENLARGE BURNER PORTS (OPENINGS).** Wash inside of cookbox with warm soapy water and a water rinse.

Inside lid — While lid is warm, wipe inside with paper towel to prevent grease build-up. Flaking built-up grease resembles paint flakes.

Stainless steel surfaces — Wash with a soft cloth and a soap and water solution. Be careful to scrub with the grain direction of the stainless steel.

Do not use cleaners that contain acid, mineral spirits, or xylene. Rinse well after cleaning.

Preserve your stainless steel — Your grill or its cabinet, lid, and control panel may be made from stainless steel. Keeping the stainless steel looking its best is a simple matter. Clean it with soap and water, rinse with clear water, and wipe dry. For stubborn particles, a non-metallic brush can be used.

⚠ IMPORTANT: Do not use a wire brush or abrasive cleaners on the stainless steel surfaces of your grill as this will cause scratches.

⚠ IMPORTANT: When cleaning surfaces be sure to rub/wipe in the direction of the grain to preserve the look of your stainless steel. ♦

WEBER® SPIDER/INSECT SCREENS

Your Weber® gas grill, as well as any outdoor gas appliance, is a target for spiders and other insects. They can nest in the venturi section (1) of the burner tubes. This blocks the normal gas flow, and can cause the gas to flow back out of the combustion air opening. This could result in a fire in and around the combustion air openings, under the control panel, causing serious damage to your grill.

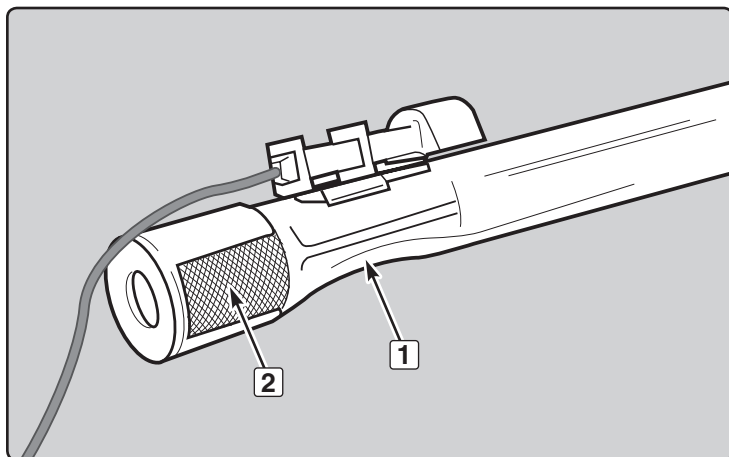
The burner tube combustion air opening is fitted with a stainless steel screen (2) to prevent spiders and other insects access to the burner tubes through the combustion air openings.

We recommend that you inspect the spider/insect screens at least once a year. (Refer to “ANNUAL MAINTENANCE.”) Also inspect and clean the the spider/insect screens if any of the following symptoms should ever occur:

- A) Gas is smelled in conjunction with burner flames that appear yellow and lazy.
- B) Grill does not reach temperature.
- C) Grill heats unevenly.
- D) One or more of the burners do not ignite.

⚠ DANGER

Failure to correct the above mentioned symptoms may result in a fire, which can cause serious bodily injury or death, and cause damage to property. ♦



BURNER TUBES CLEANING OR REPLACEMENT

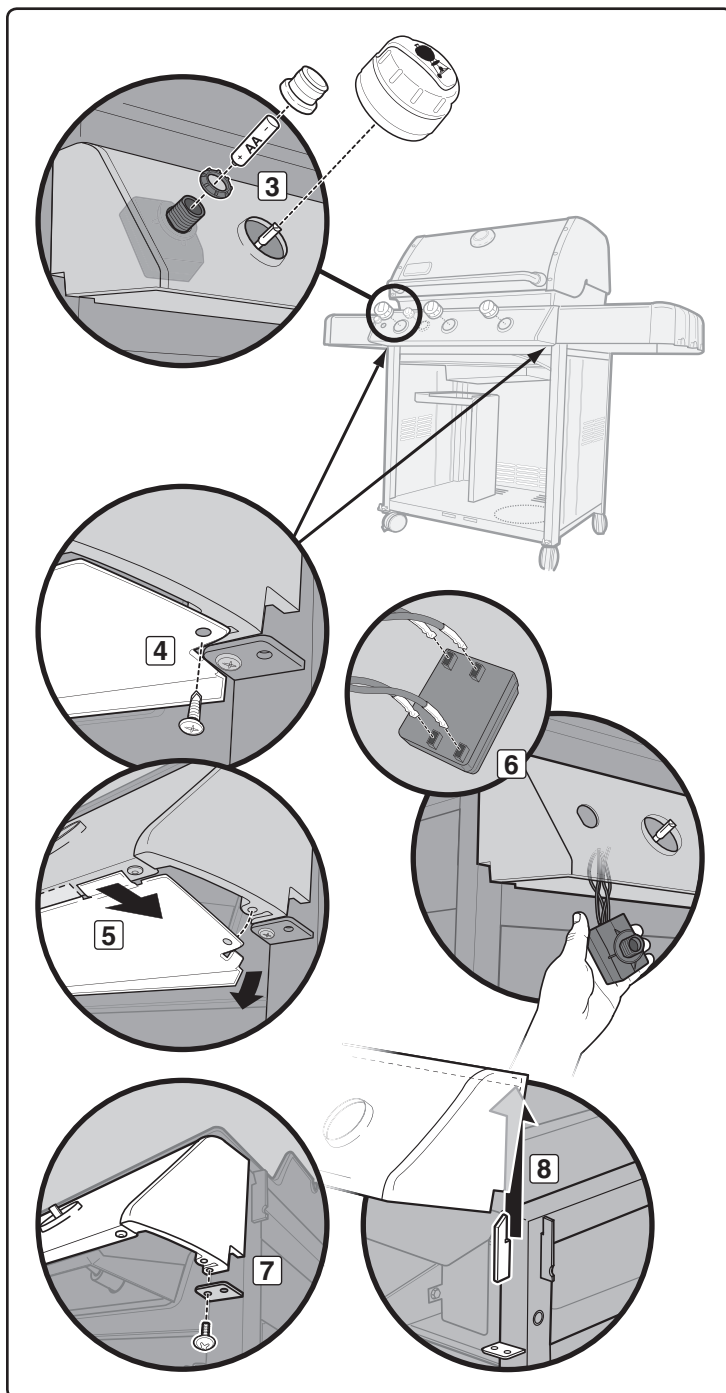
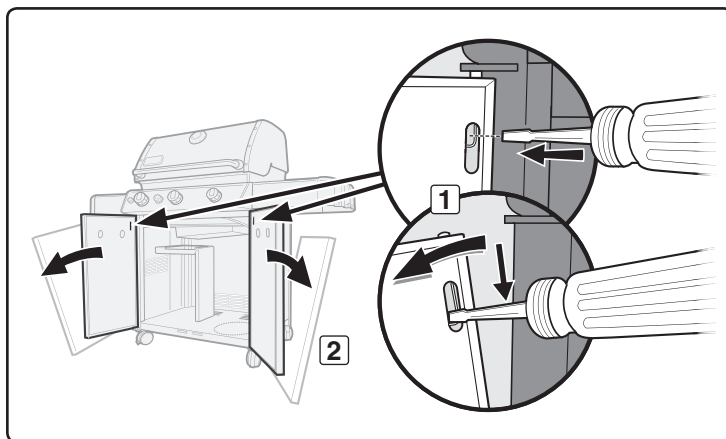
You will need: Phillips screwdriver, flathead screwdriver, and 5/16" nut-driver.

- A) Your Weber® gas grill must be OFF and cool.
- B) Turn gas OFF at source.
- C) Remove cookbox components - warming rack, grates and Flavorizer® bars. (Heat deflectors do not need to be removed.)

Control Panel Removal

To remove control panel:

- A) Locate door pin release in door assembly. Using a screwdriver, push down on door pin release (1) until door detaches from frame assembly. Pull top of door away from frame assembly (2) and lift door off bottom adjustable hinge pin.
- B) Remove control knobs, igniter button, igniter retention nut, and battery (3).
- C) Remove screws from wind deflector (4) located underneath the control panel with a Phillips screwdriver.
- D) Tilt end of wind deflector down and slide away to remove (5).
- E) Remove igniter module from control panel (6) and remove all four wires from module.
- F) Remove screws from underside of control panel with Phillips screwdriver (7).
- G) Lift control panel up slightly, tilt up front edge and gently lift up and away (8).



MAINTENANCE

Burner Tube Removal

To remove burner tube(s):

- A) Remove igniter wire(s) from igniter clip(s) (9).
- B) Remove screw that holds burner tube to the cookbox using a 5/16" nut-driver (10).
- C) Pull burner tube assembly (this includes igniter) up and out of cookbox (11).
Note: 310 units will have an additional grounding wire attached to the center burner tube (12).

Burner Tube Cleaning

To clean the burner tube(s):

- A) Look inside each burner with a flashlight (13).
- B) Clean the inside of the burners with a wire (14) (a straightened-out coat hanger will work).
- C) Check and clean the air shutter opening at the ends of the burners. Check and clean the valve orifices at the base of the valves. Use a steel bristle brush to clean outside of burners (15). This is to make sure all the burner ports are fully open.

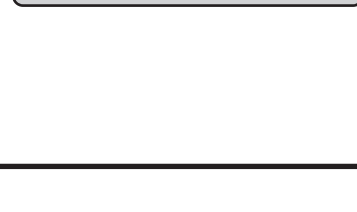
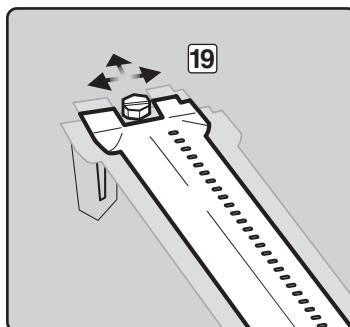
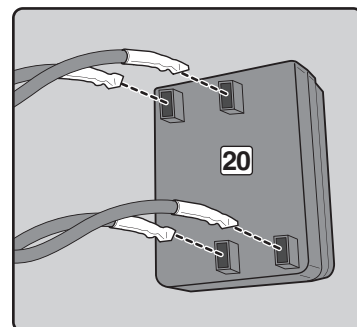
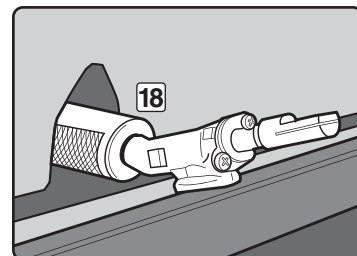
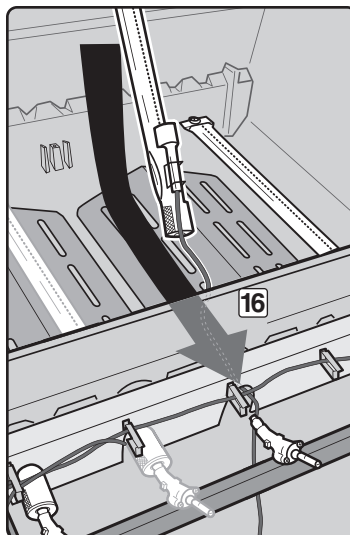
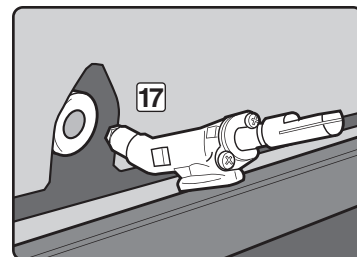
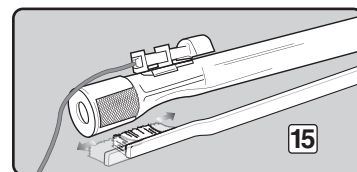
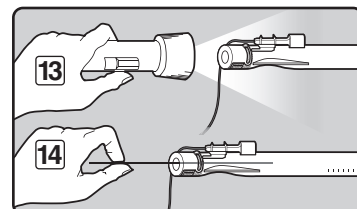
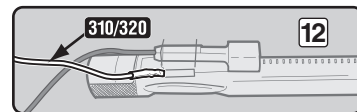
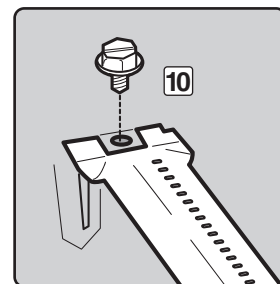
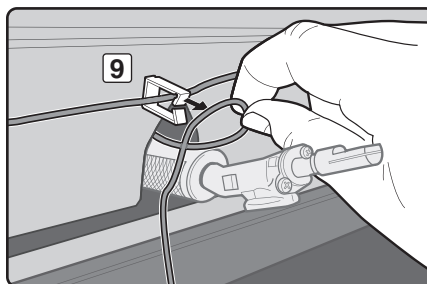
⚠ **CAUTION: Do not enlarge the burner ports when cleaning.**

Burner Tube Reinstallation

To reinstall burner tubes:

- A) Slide burner tube and igniter wire through hole in cookbox (16). Refer to "ELECTRONIC IGNITION SYSTEM OPERATIONS" for proper burner position.
- B) Align burner tube with valve.
- ⚠ **CAUTION: The burner openings (17) must be positioned properly over the valve orifices (18).**
- C) Re-install screw that holds the burner tube to the cookbox using a flathead screwdriver. Burner tube may seem loose (19), when screw is snug. This is normal.
- D) Route wires back through igniter clips. Refer back to figure (9).
- ⚠ **CAUTION: All wires must be properly routed through wire clips.**
- E) Attach wires to module, following the numerical/color coding (20). Refer to "ELECTRONIC IGNITION SYSTEM OPERATIONS" for proper attachment of wires.
- ⚠ **WARNING: After reinstalling the gas lines, they should be leak checked with a soap and water solution before using the grill. (Refer to "CHECK FOR GAS LEAKS".)**

⚠ **WARNING: Make sure that all parts are assembled and hardware is fully tightened before operating the grill. Your actions, if you fail to follow this Product Warning, may cause a fire, an explosion, or structural failure resulting in serious personal injury or death as well as damage to property. ♦**



MAINTENANCE

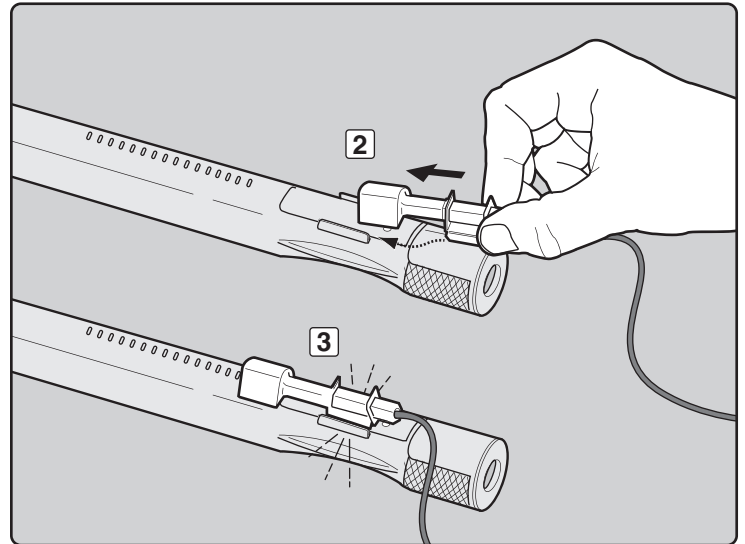
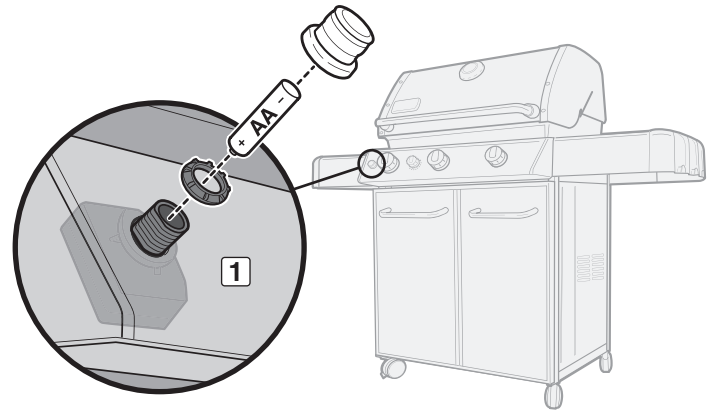
ELECTRONIC IGNITION SYSTEM OPERATIONS

If the Electronic Ignition System fails to ignite, be sure there is gas flow by attempting to match light your burners. Refer to "MAIN BURNER MANUAL IGNITION". If match lighting is successful, the problem lies in the electronic ignition.

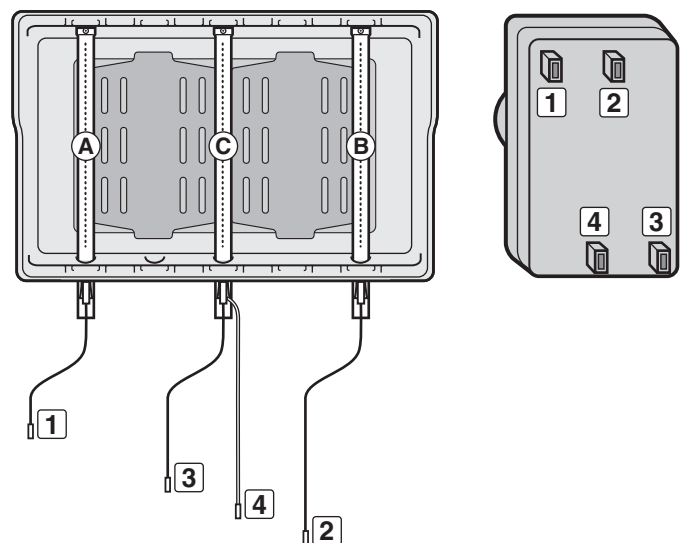
⚠ WARNING: All gas controls and supply valves should be in the OFF position.

- Verify that the AA battery (alkaline only) is in good condition and installed correctly (1). Some batteries have a plastic protective wrap around them. This plastic must be removed. Do not confuse this plastic with the battery label.
- Make sure the ignition wires are attached to igniter module properly. Refer to the "IGNITER MODULE WIRE GUIDE" below.
- Make sure the ceramic igniter assembly is fully positioned into burner tube igniter channel (2). If properly positioned, you will hear a snap (3).
- Make sure the Electronic Ignition button is working by listening and looking for sparks at burner.

If the Electronic Ignition System still fails to light, contact the Customer Service Representative in your area using the contact information on our web site. Log onto www.weber.com.



IGNITER MODULE WIRE GUIDE 310



Wire End & Terminal Color	Burner Tube
Black (1)	Left Burner (A)
Yellow (2)	Right Burner (B)
Blue (3)	Center Burner (C)
Green (Ground) (4)	Center Burner (C)

MAINTENANCE

ANNUAL MAINTENANCE

Inspection and Cleaning of the Spider/Insect Screens

To inspect the spider/insect screens, remove the control panel. If there is dust or dirt on the screens, remove the burners to clean the screens.

Brush the spider/insect screens lightly with a soft bristle brush (i.e., an old toothbrush).

⚠ CAUTION: Do not clean the spider/insect screens with hard or sharp tools. Do not dislodge the spider/insect screens or enlarge the screen openings.

Lightly tap the burner to get debris and dirt out of the burner tube. Once the spider/insect screens and burners are clean, replace the burner.

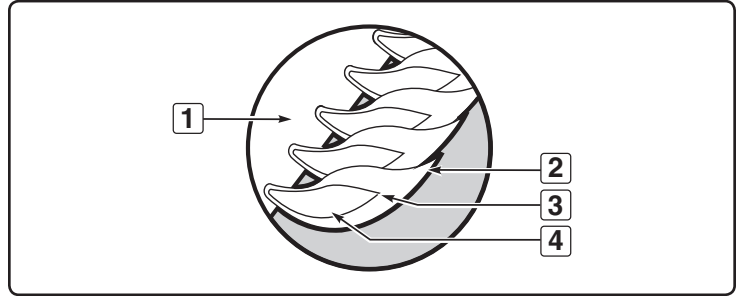
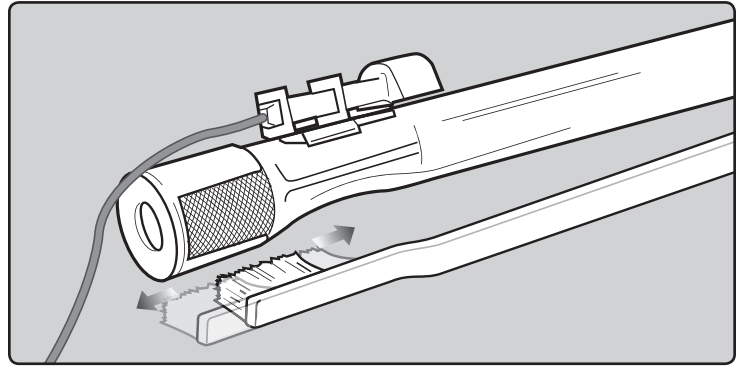
If a spider/insect screen becomes damaged or cannot be cleaned, please contact the Customer Service Representative in your area using the contact information on our web site. Log onto www.weber.com.

Burner Flame Pattern

The Weber® gas grill burners have been factory set for the correct air and gas mixture. The correct flame pattern is shown in illustration and described below:

- A) Burner tube (1)
- B) Tips occasionally flicker yellow (2)
- C) Light blue (3)
- D) Dark blue (4)

If the flames do not appear to be uniform throughout the burner tube, follow the burner cleaning procedures. ♦





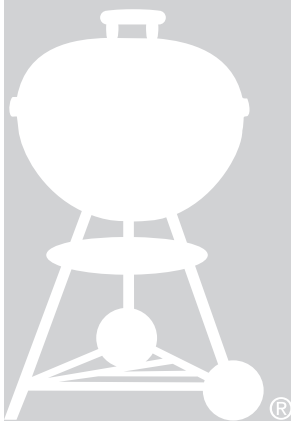
GENESIS®

GUIA DEL USUARIO DEL ASADOR

REGISTRAR SU ASADOR

Gracias por su compra del asador Weber®. Tómese unos minutos para proteger su inversión. Registre su asador ingresando a www.weber.com.

Refiérase al número de serie que se encuentra en la cubierta de esta guía del propietario.



E-310™ · EP-310™ · S-310™

LP

DEBE LEER ESTA GUÍA DEL PROPIETARIO ANTES DE PONER A FUNCIONAR LA BARBACOA DE GAS.

⚠ PELIGRO

Si huele a gas:

- 1) Cierre el suministro de gas al artefacto.
- 2) Apague todas las flamas cerrando la válvula general de paso.
- 3) Abra la tapa.
- 4) Llame inmediatamente a la central de fugas o a su proveedor de gas.

Una fuga de gas puede provocar un incendio o explosión que puede resultar en lesiones corporales serias o la muerte, o daños a la propiedad.

Antes de poner a funcionar la asador, siga cuidadosamente todos los procedimientos en este manual para verificar que no existan fugas. Haga esto aun y cuando la asador haya sido ensamblada por el distribuidor.

⚠ ADVERTENCIA

- 1) No almacene gasolina u otros fluidos inflamables en la cercanía de su aparato.
- 2) Ningún tanque de propano licuado que no esté conectado para su uso deberá almacenarse cerca de éste o cualquier otro artefacto doméstico.

No encienda este artefacto sin primero leer las secciones de ENCENDIDO DEL QUEMADOR de este manual.

ESTE ARTEFACTO A GAS ESTÁ DISEÑADO PARA USARSE SOLAMENTE AL AIRE LIBRE.

AVISO AL INSTALADOR:
Estas instrucciones deben permanecer con el propietario, quien las deberá guardar para un futuro uso.



48706

ES - SPANISH

ADVERTENCIAS

⚠ PELIGRO

El hacer caso omiso de los avisos de peligros, advertencias y precauciones contenidos en este Manual del Propietario pudiera resultar en lesiones corporales serias o la muerte, o en un fuego o explosión que cause daños a la propiedad.

⚠ ADVERTENCIAS

- ⚠ No almacene un tanque de propano licuado desconectado o de repuesto debajo o cerca de este asador.
- ⚠ El ensamblaje incorrecto puede ser peligroso. Por favor siga cuidadosamente las instrucciones de ensamblaje.
- ⚠ Tras haber estado guardada o sin uso por algún tiempo, antes de usar la barbacoa de gas Weber® verifique que no existan fugas de gas o obstrucciones en el quemador. Vea en este manual las instrucciones para los procedimientos correctos.
- ⚠ No opere la barbacoa de gas Weber® si existe una fuga de gas.
- ⚠ No utilice una llama abierta para comprobar la existencia de fugas de gas.
- ⚠ Nunca debe haber materiales combustibles a una distancia menor de 24 pulgadas (61 cm) de la parte superior, inferior, trasera o lateral de su asador de gas Weber®.
- ⚠ No coloque una funda para barbacoas ni cualquier otra artículo inflamable sobre o dentro del área de almacenaje ubicada debajo del asador.
- ⚠ Nunca permita que los niños usen la barbacoa de gas Weber®. Algunas partes accesibles de la barbacoa pudieran estar muy calientes. Mantenga alejados a los niños pequeños mientras ésta se esté usando.
- ⚠ Usted debe proceder con razonable cuidado al usar su barbacoa de gas Weber®. Ésta estará caliente al cocinarse en ella o al limpiarla, y nunca deberá dejarse desatendida o moverse mientras esté funcionando.
- ⚠ Si llegasen a apagarse los quemadores, cierre todas las válvulas de gas. Abra la tapa y espere cinco minutos antes de tratar de volver a encender la barbacoa, usando las instrucciones de encendido en este manual.
- ⚠ No use carbón o piedra pómez en su barbacoa de gas Weber®.
- ⚠ No se incline sobre la barbacoa abierta o coloque las manos o dedos en el borde delantero de la caja de cocción.
- ⚠ Si la grasa llegase a agarrar fuego, apague todos los quemadores y mantenga la tapa cerrada hasta que se haya apagado el fuego.
- ⚠ Al limpiar las válvulas o los quemadores, no ensanche los orificios de las válvulas o las aberturas de los quemadores.
- ⚠ La barbacoa de gas Weber® deberá limpiarse a fondo regularmente.
- ⚠ El propano licuado no es gas natural. El uso de gas natural en una unidad de propano licuado o viceversa, propano licuado en una de gas natural, es peligroso y anulará su garantía.

- ⚠ No intente desconectar ninguna conexión de gas mientras la barbacoa esté funcionando.
- ⚠ Mientras opere la barbacoa, utilice guantes resistentes al calor.
- ⚠ Mantenga alejados de todas las superficie calientes a todo cordón eléctrico y a la manguera de suministro de combustible.
- ⚠ Los subproductos de la combustión producidos al usar este producto contienen sustancias químicas que son conocidas por el Estado de la California como causantes de cáncer, defectos de nacimiento, u otros daños reproductivos.
- ⚠ No use esta barbacoa a menos que todas sus partes estén colocadas en su sitio. La unidad debe ensamblarse correctamente de acuerdo con las instrucciones de ensamblaje.
- ⚠ No construya este modelo de barbacoa en ninguna construcción en la que la barbacoa esté incorporada de manera fija o deslizante. El no acatar esta Advertencia pudiera resultar en un fuego o una explosión que pudiera causar daños a la propiedad y heridas corporales graves o la muerte.
- ⚠ Propuesta 65 Advertencia: El manipular los materiales de latón en este producto lo exponen al plomo, una sustancia química conocida por el estado de California como causante de cáncer, de defectos de nacimiento o de otros daños reproductivos.
(Lávese las manos después de manipular este producto.) ♦

ÚNICAMENTE UNIDADES DE GAS PROPANO LICUADO

- ⚠ Use el regulador que se suministra con la barbacoa de gas Weber®.
- ⚠ No trate de desconectar el regulador de gas o ninguna conexión de gas mientras esté funcionando la barbacoa.
- ⚠ Un cilindro de propano licuado abollado u oxidado pudiera ser peligroso y deberá ser revisado por su suplidor de propano licuado. No utilice ningún cilindro de propano licuado con una válvula dañada.
- ⚠ Aunque el cilindro de propano licuado pudiera aparentar estar vacío, algo de gas pudiera aún estar presente, por lo que el cilindro deberá transportarse y almacenarse tomando esta posibilidad en consideración.
- ⚠ Si usted ve, huele o escucha el silbido de un escape de gas del cilindro de propano licuado:
 1. Apártese del cilindro de propano licuado.
 2. No trate de corregir el problema usted mismo.
 3. Llame al cuerpo de bomberos local. ♦

TABLA DE CONTENIDO

DIAGRAMA DE DESPIECE.....	4
LISTA DEL DIAGRAMA DE DESPIECE	5
ADVERTENCIAS.....	24
TABLA DE CONTENIDO.....	25
GARANTÍA	26
INSTRUCCIONES GENERALES	27
PARA COMPRAS HECHOS EN MÉXICO.....	27
INSTALACIÓN CANADIENSE	27
OPERACIÓN DE LA BARBACOA	27
ALMACENAJE Y/O SIN USO.....	27
INSTRUCCIONES SOBRE EL GAS	28
SUGERENCIAS PARA EL MANEJO SEGURO DE LOS CILINDROS DE GAS PROPANO LICUADO	28
INFORMACIÓN IMPORTANTE SOBRE EL CILINDRO DE PROPANO LICUADO.....	29
PREPARATIVOS PARA LA BÚSQUEDA DE FUGAS	29
DETECCIÓN DE FUGAS DE GAS	31
CÓMO RECARGAR EL CILINDRO DE PROPANO LICUADO	32
ANTES DE UTILIZAR LA BARBACOA.....	33
NIVEL DE COMBUSTIBLE	33
BANDEJA CORREDIZA RECOLECTORA DE GRASA Y BANDEJA DESECHABLE DE GOTEO.....	33
INSPECCIÓN DEL ENCENDEDOR ELECTRÓNICO	33
INSPECCIÓN DE LA MANGUERA	33
ENCENDIDO Y USO DEL QUEMADOR PRINCIPAL	34
ENCENDIDO DEL QUEMADOR PRINCIPAL	34
PARA APAGAR.....	34
ENCENDIDO MANUAL DEL QUEMADOR PRINCIPAL	35
PARA APAGAR.....	35
CONSEJOS PRÁCTICOS PARA ASAR	36
PRECALENTADO	36
COCCIÓN CUBIERTA	36
PRINGUES Y GRASA	36
EL SISTEMA FLAVORIZER®.....	36
RESOLUCIÓN DE PROBLEMAS	37
MANTENIMIENTO	38
LIMPIEZA.....	38
MALLAS WEBER® CONTRA ARAÑAS E INSECTOS.....	38
LIMPIEZA O REEMPLAZO DE LOS TUBOS QUEMADORES	39
OPERACIONES DEL SISTEMA DE ENCENDIDO ELECTRÓNICO.....	41
MANTENIMIENTO ANUAL.....	42

GARANTÍA

Gracias por su compra del producto Weber®. Weber-Stephen Products LLC, 200 East Daniels Road, Palatine, Illinois 60067-6266 ("Weber") se enorgullece en proporcionar un producto seguro, duradero y confiable.

Esta es la garantía voluntaria Weber proporcionada sin costo adicional. Contiene la información que tendrá que tener para que su producto WEBER® se repare en el raro caso de una falla o defecto.

En cumplimiento con las leyes correspondientes, el cliente cuenta con varios derechos en el caso de un producto defectuoso. Esos derechos incluyen el rendimiento o reemplazo adicional, reducción del precio de compra y compensación. Por ejemplo, en la Unión Europea, se trataría de una garantía legal de dos años a partir de la fecha en que se entrega el producto. Estos y otros derechos legales permanecen vigentes por esta cláusula de garantía. De hecho, esta garantía otorga derechos adicionales al Dueño que son independientes de las cláusulas legales de garantía.

GARANTÍA VOLUNTARIA DE WEBER

Weber garantiza, al comprador del producto WEBER® (o en caso de una situación de regalo o promocional, la persona para la cual se compró como regalo o promoción), que el producto WEBER® está libre de defectos en materiales y mano de obra por el/los periodo(s) de tiempo especificados a continuación cuando se arma y opera de acuerdo con Guía del Usuario acompañante. [Nota: Si usted pierde o no encuentra su Guía del Usuario de WEBER®, puede encontrar una de reemplazo en línea en www.weber.com, o en el sitio específico del país que se le pueda asignar al Dueño]. Bajo uso y mantenimiento normal en viviendas o departamentos familiares, Weber está de acuerdo dentro del marco de esta garantía en reparar o reemplazar las partes defectuosas dentro de los periodos de tiempo correspondientes, las limitaciones y exclusiones incluidas continuación. HASTA EL GRADO PERMITIDO POR LA LEY CORRESPONDIENTE, ESTA GARANTÍA SE AMPLIA SOLO AL COMPRADOR ORIGINAL Y NO ES TRANSFERIBLE A DUEÑOS POSTERIORES, CON EXCEPCIÓN DEL CASO DE REGALOS Y ARTÍCULOS PROMOCIONALES COMO SE INDICÓ ARRIBA.

RESPONSABILIDADES DEL DUEÑO BAJO ESTA GARANTÍA

Para asegurar una cobertura de garantía sin problemas, es importante (sin embargo no es requisito) que registre su producto WEBER® en línea en www.weber.com, o en el sitio especificado por país que se le pueda indicar al cliente). Conserve también por favor su recibo o factura de compra original. Al registrar su producto WEBER® confirma su cobertura de garantía y proporciona un enlace directo entre usted y Weber en caso de que necesitemos contactarlo.

La garantía anterior solo se aplica si el Dueño toma el cuidado razonable del producto WEBER® siguiendo todas las instrucciones de armado, las instrucciones de uso, y el mantenimiento preventivo, como se describe en la Guía del Usuario anexa, a menos que el Dueño pueda comprobar que el defecto o la falla es independiente de la falta de cumplimiento con las obligaciones mencionadas arriba. Si usted vive en un área costera o tiene su producto ubicado cerca de una piscina, el mantenimiento incluye el lavado y enjuagado regular de las superficies exteriores como se describe en la Guía del Usuario acompañante.

MANEJO DE GARANTÍA / EXCLUSIÓN DE GARANTÍA

Si usted cree que cuenta con una pieza cubierta bajo esta Garantía, contacte por favor al Departamento de Servicio al Cliente de Weber utilizando la información en nuestro sitio (www.weber.com, o la información específica del sitio a donde se le indique al Dueño). Después de una investigación, Weber reparará o reemplazará (a su propia opción) una pieza defectuosa cubierta por esta Garantía. En el caso en que no sea posible una reparación o reemplazo, Weber puede escoger (a su propia opción) reemplazar el asador en cuestión con un nuevo asador de igual o mayor valor. Weber puede pedirle que regrese las piezas para su inspección, los cobros por envío deben ser prepagados.

Esta GARANTÍA se anula si existen daños, deterioros, descoloraciones u óxido por los cuales Weber no sea responsable y que sean ocasionados por:

- abuso, falta de uso, alteración, modificación, mal uso, vandalismo, negligencia, montaje o instalación inadecuada y no realizar el mantenimiento normal y de rutina;
- Insectos (como arañas) y roedores (como ardillas), incluyendo más no limitándose a daños a los tubos del quemador y/o las mangueras de gas;
- Exposición a fuentes de aire con alta concentración de sal o cloro como piscinas y jacuzzies/spas;
- Condiciones ambientales severas como granizo, huracanes, terremotos, tsunamis u oleaje, tornados o fuertes tormentas.

El uso y/o instalación de piezas en su producto WEBER® que no sean piezas genuinas Weber anularán esta Garantía, y cualquier otro daño que resulte de los mismos no está cubierto bajo esta Garantía. Cualquier conversión de un asador de gas no autorizada por Weber y realizada por un técnico de servicio autorizado Weber anulará esta Garantía.

PERIODOS DE GARANTÍA DE PRODUCTO

Caja para cocinar:
10 años, sin que atraviese el óxido/quemaduras
(2 años para la pintura excluyendo el deterioro o descoloración)

Conjunto de la tapa:
10 años, sin que atraviese el óxido/quemaduras

Tubos del quemador de acero inoxidable:
10 años, sin que atraviese el óxido/quemaduras

Rejillas para cocinar de acero inoxidable:
5 años, sin que atraviese el óxido/quemaduras

Barra de acero inoxidable Flavorizer®:
5 años, sin que atraviese el óxido/quemaduras

Rejillas para cocinar de hierro vaciado con esmalte de porcelana:
5 años, sin que atraviese el óxido/quemaduras

Todas las partes restantes:
2 años

DESCARGOS DE RESPONSABILIDADES

ADEMÁS DE LA GARANTÍA Y DESCARGOS DE RESPONSABILIDADES DESCRITOS EN ESTA DECLARACIÓN DE GARANTÍA; NO EXISTEN EXPLÍCITAMENTE GARANTÍAS ADICIONALES O DECLARACIONES VOLUNTARIAS DE RESPONSABILIDAD OTORGADAS POR EL PRESENTE QUE VAN MÁS ALLÁ DE LA RESPONSABILIDAD LEGAL APLICADA A WEBER. LA PRESENTE DECLARACIÓN DE GARANTÍA NO SE LIMITA NI EXCLUYE SITUACIONES O RECLAMOS EN DONDE WEBER CUENTA CON RESPONSABILIDAD OBLIGATORIA COMO LO ESTABLECE LA LEY.

NINGUNA GARANTÍA SE DEBERÁ APLICAR DESPUÉS DE LOS PERIODOS DE TIEMPO CORRESPONDIENTES DE ESTA GARANTÍA. NINGUNA OTRA GARANTÍA OFRECIDA POR CUALQUIER PERSONA, INCLUYENDO UN DISTRIBUIDOR O MINORISTA CON RESPECTO A CUALQUIER PRODUCTO (COMO CUALQUIER "GARANTÍA PROLONGADA"), DEBERÁN VINCULAR A WEBER. EL REMEDIO EXCLUSIVO DE ESTA GARANTÍA ES LA REPARACIÓN O REPLAZO DE LA PIEZA O PRODUCTO.

BAJO NINGUNA CIRCUNSTANCIA BAJO ESTA GARANTÍA VOLUNTARIA, LA RECUPERACIÓN DE CUALQUIER TIPO DEBERÁ SER MAYOR QUE LA CANTIDAD DEL PRECIO DE COMPRA DEL PRODUCTO WEBER VENDIDO.

USTED ASUME EL RIESGO Y RESPONSABILIDAD POR PÉRDIDA, DAÑO O LESIÓN HACIA USTED Y HACIA SU PROPIEDAD Y/O HACIA OTROS Y SUS PROPIEDADES QUE SE DERIVEN DEL MAL USO O ABUSO DEL PRODUCTO O DEBIDO A LA FALTA DE SEGUIMIENTO DE LAS INSTRUCCIONES PROPORCIONADAS POR WEBER EN LA GUÍA DEL USUARIO ACOMPAÑANTE.

LAS PIEZAS Y ACCESORIOS REPLAZADOS BAJO ESTA GARANTÍA ESTÁN GARANTIZADOS SOLAMENTE POR EL TIEMPO RESTANTE DEL/DE LOS PERIODO(S) ORIGINAL(ES) DE GARANTÍA.

ESTA GARANTÍA SE APLICA AL USO EN HOGARES O DEPARTAMENTOS FAMILIARES PRIVADOS Y NO SE APLICA CUANDO LOS ASADORES DE GAS WEBER SE USAN EN AMBIENTES COMERCIALES, COMUNITARIOS O DE UNIDADES MÚLTIPLES COMO RESTAURANTES, HOTELES, CENTROS TURÍSTICOS O PROPIEDADES DE RENTA.

WEBER PUEDE DE VEZ EN CUANDO CAMBIAR EL DISEÑO DE SUS PRODUCTOS. NADA INCLUIDO EN ESTA GARANTÍA DEBERÁ INTERPRETARSE COMO UNA OBLIGACIÓN DE WEBER DE INCORPORAR DICHS CAMBIOS DE DISEÑO EN LOS PRODUCTOS FABRICADOS ANTERIORMENTE, NI TAMPOCO DICHS CAMBIOS DEBERÁN INTERPRETARSE COMO UNA ADMISIÓN DE QUE LOS DISEÑOS PREVIOS ESTABAN DEFECTUOSOS.

WEBER-STEPHEN PRODUCTS LLC

Centro de Servicio al Cliente
2900 Golf Road
Rolling Meadows, IL 60008
EE.UU.

Para piezas de repuesto, llame al:
1-800-446-1071

Para compras hechas en México:
Weber-Stephen Products S.A. de C.V.
Calle José Guadalupe Zuno #2302 P.H.
Col. Americana, Guadalupe, Jalisco C.P. 44160 Mexico
RFC- WPR030919ND4

Para partes de repuesto llame a:
01800-00-Weber [93237] Ext. 105

INSTRUCCIONES GENERALES

La barbacoa de gas Weber® es portátil por lo que usted puede reubicarla fácilmente de sitio en su jardín o patio. La portabilidad significa que, si usted se muda, se puede llevar su barbacoa de gas Weber® consigo.

El suministro de gas propano licuado es fácil de usar y le da más control al cocinar que el carbón.

- Estas instrucciones le indicarán los requisitos mínimos para ensamblar la barbacoa de gas Weber®. Por favor lea cuidadosamente las instrucciones antes de utilizar la barbacoa de gas Weber®. Un ensamblaje incorrecto puede ser peligroso.
- No debe ser usada por niños.
- Si hubiese códigos locales que aplicasen para las barbacoas de gas portátil, usted deberá acatarlas. La instalación debe cumplir con los códigos locales o, en ausencia de estos, bien sea con el "Código nacional de gas combustible"; ANSI Z223.1/NFPA 54, el "Código de instalaciones de gas natural y propano"; CSA B149.1, o el "Código de manipulación y almacenaje de propano"; B149.2, o la "Norma para vehículos recreativos"; ANSI A 119.2/NFPA 1192, y CSA Z240 RV Series, "Código para vehículos recreativos", según corresponda.
- Debe usarse el regulador de presión suministrado con la barbacoa de gas Weber®. Este regulador está ajustado para una presión de 11 pulgadas de columna de agua.
- Esta barbacoa de gas Weber® está diseñada para ser usada solamente con gas propano licuado (LP). No la use con gas natural (suministrado a través de tuberías en las ciudades). Las válvulas, los orificios, la manguera y regulador son solamente aptos para gas propano licuado.
- No la use con carbón.
- Asegúrese de que el área debajo del panel de control y de la bandeja corrediza para la grasa no tengan desechos que pudiesen obstruir el flujo de aire de combustión o de ventilación.
- Las áreas alrededor del cilindro de gas de propano licuado deben estar libres y sin acumulación de desperdicios.
- Los reguladores de presión y ensambles de manguera de reemplazo deben ser los especificados por Weber-Stephen Products LLC. ♦

PARA COMPRAS HECHAS EN MÉXICO

- Si hubiese códigos locales que se aplicasen a los asadores de gas portátiles, usted deberá cumplir con la más reciente edición de NOM. ♦

INSTALACIÓN CANADIENSE

Esta instrucciones, aunque de manera general son aceptables, no necesariamente cumplen con los códigos de instalación canadienses, en particular en lo que respecta a a tuberías bajo y sobre tierra. En Canadá, la instalación de este aparato debe cumplir con los códigos locales y/o la más reciente edición de la Norma CAN/CSA-B149.2 (Código de Almacenaje y Manejo del Propano). ♦

OPERACIÓN DE LA BARBACOA

- ⚠ **ADVERTENCIA:** Sólo use esta barbacoa al aire libre en un área bien ventilada. No la use en un garaje, edificio, pasadizo techado o en cualquier otra área cerrada.
- ⚠ **ADVERTENCIA:** Mantenga las aberturas de ventilación de la caja del cilindro libres de obstrucciones y limpias.
- ⚠ **ADVERTENCIA:** La barbacoa de gas Weber® no deberá usarse debajo de un techo combustible.
- ⚠ **ADVERTENCIA:** La barbacoa de gas Weber® no ha sido diseñada para instalarse en o sobre vehículos y/o botes recreativos.
- ⚠ **ADVERTENCIA:** No utilice la barbacoa a menos de 24 pulgadas (61 cm) de distancia de materiales combustibles.
- ⚠ **ADVERTENCIA:** La caja de cocción entera se calienta al usarse. No la deje desatendida.
- ⚠ **ADVERTENCIA:** Mantenga a cualquier cordón eléctrico y a la manguera de suministro de gas alejados de toda superficie caliente.
- ⚠ **ADVERTENCIA:** Mantenga el área de cocinar libre de vapores y líquidos inflamables tales como gasolina, alcohol, etc. y de materiales combustibles.
- ⚠ **ADVERTENCIA:** Nunca almacene cilindros de propano licuado extra (de repuesto) debajo o cerca de la barbacoa de gas Weber®.
- ⚠ **ADVERTENCIA:** El cilindro de propano licuado usado con la barbacoa debe contar con un "Dispositivo de prevención de sobrellenado" (OPD, por sus siglas en inglés) y una conexión QCC1 o tipo 1 (CGA810). La conexión del cilindro debe ser compatible con la de la barbacoa. ♦

ALMACENAJE Y/O SIN USO

- La válvula de gas en el cilindro de propano licuado debe mantenerse cerrada mientras la barbacoa de gas Weber® esté sin usarse.
- Cuando la barbacoa de gas Weber® esté almacenada bajo techo, el suministro de gas debe DESCONECTARSE y el tanque de propano licuado debe guardarse al aire libre en un espacio bien ventilado.
- El cilindro de propano licuado debe guardarse al aire libre en un área bien ventilada fuera del alcance de los niños. El cilindro desconectado de propano licuado no debe almacenarse dentro de ninguna edificación, garaje o área cerrada.
- Cuando el cilindro de propano licuado no esté desconectado de la barbacoa de gas Weber®, el artefacto junto con el tanque de propano licuado deberán mantenerse al aire libre en un espacio bien ventilado.
- La barbacoa de gas Weber® debe revisarse antes de usarse para verificar de que no tenga fugas de gas ni obstrucciones en los tubos de los quemadores. (Consulte la sección "MANTENIMIENTO/MANTENIMIENTO ANUAL").
- Asegúrese de que el área debajo del panel de control y la bandeja inferior no tengan desechos que pudiesen obstruir el flujo de aire de combustión o de ventilación.
- También deberá revisarse que la malla contra arañas e insectos no esté obstruida. (Consulte la sección "MANTENIMIENTO/MANTENIMIENTO ANUAL"). ♦

INSTRUCCIONES SOBRE EL GAS

SUGERENCIAS PARA EL MANEJO SEGURO DE LOS CILINDROS DE GAS PROPANO LICUADO

- El gas propano licuado es un producto petrolero al igual que lo son la gasolina y el gas natural. El propano es un gas a temperaturas y presiones normales. Bajo presión moderada, dentro de un cilindro, el gas propano es un líquido. En la medida en que se libera la presión, el líquido se evapora fácilmente y se convierte en gas.
- El gas propano tiene un olor similar al gas natural. Usted deberá estar al tanto de este olor.
- El gas propano es más pesado que el aire. El gas propano proveniente de una fuga puede acumularse en áreas bajas y prevenir su dispersión.
- Para llenar un cilindro de gas propano, llévalo a un expendededor de gas propano, o busque a otros suplidores bajo "gas propano" en el directorio telefónico.

⚠ **ADVERTENCIA: Recomendamos llenar su cilindro de gas propano licuado con un distribuidor de gas propano autorizado que tenga un encargado debidamente calificado y que llene el tanque en base a peso. EL LLENADO INCORRECTO ES PELIGROSO.**

- Antes de su llenado inicial, el aire debe ser retirado de todo cilindro nuevo de propano licuado. Los distribuidores de propano licuado están equipados para hacerlo.
- El cilindro de propano licuado debe instalarse, transportarse, y almacenarse en una posición parada. Los cilindros de propano licuado no deben dejarse caer o manipularse de manera brusca.
- Nunca almacene o transporte los cilindros de propano licuado en sitios donde la temperatura alcance los 125° F (52° C—demasiado caliente para sostenerlo con la mano). (Por ejemplo: no deje un cilindro de gas propano dentro de un carro en un día caluroso).

Nota: una recarga durará alrededor de 18–20 horas de tiempo de cocción bajo uso normal. La escala de combustible, una característica de algunas de nuestras barbacoas, indicará el suministro de propano de manera que usted puede recargar antes de agotarse el mismo. No necesita agotar el tanque antes de rellenarlo.

- Trate a los cilindros de propano licuado "vacíos" con el mismo cuidado que cuando están llenos. Aun cuando el tanque de gas propano no contenga líquido, todavía puede haber presión del gas en el cilindro. Siempre cierre la válvula del cilindro antes de desconectarlo.

⚠ **PRECAUCIÓN: Siempre que el cilindro esté sin usarse, coloque la capucha antipolvo sobre la salida de la válvula del mismo. Sólo instale sobre la salida de la válvula el tipo de capucha antipolvo con la que vino provista la misma. Otros tipos de capuchas o tapones pudieran causar fugas de propano.**

- No use ningún cilindro de propano licuado dañado. Un cilindro de propano licuado abollado u oxidado o con la válvula dañada es peligroso y deberá reemplazarse por uno nuevo inmediatamente.
- Cada vez que se reconecte un cilindro de propano licuado, se debe revisar que la unión por donde se conecta la manguera al cilindro no presente fugas. Por ejemplo, haga la prueba cada vez que se llena el cilindro de propano licuado.
- Asegúrese de que el regulador esté montado con el pequeño agujero respiradero viendo hacia abajo de manera que no se acumule agua en él. Este respiradero debe mantenerse libre de sucio, grasa, insectos, etc.
- Las conexiones de gas suministradas con la barbacoa de gas Weber® han sido diseñadas para cumplir en un 100% con los requisitos de las normas CSA y ANSI.

⚠ **ADVERTENCIA: Lo tanques de propano licuado de reemplazo deben tener conexiones compatibles con la del regulador suministrado con esta barbacoa.**

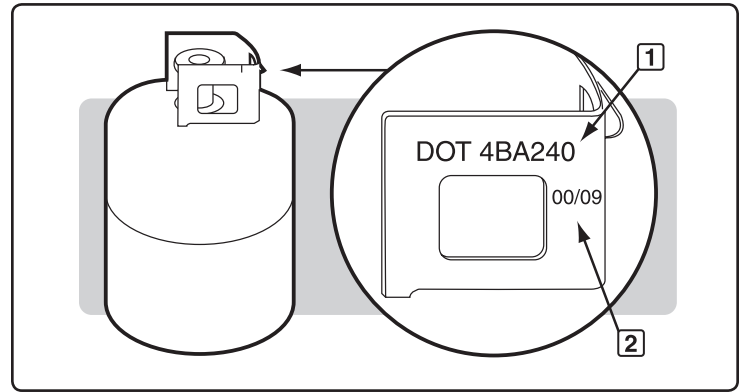
Requisitos de los Cilindros de Propano Licuado

- Asegúrese de que los cilindros tengan una certificación del D.O.T. (Departamento de Transporte) (1), y que la fecha en que fueron probados (2) no sea de más de cinco años atrás. Su proveedor de propano licuado puede hacerlo por usted.
- Todos los sistemas de tanques de suministro de propano licuado deben incluir un collar que proteja la válvula del cilindro.
- El cilindro de gas debe tener un tamaño aproximado de 20 lb. (18¼ pulgadas de alto y 12¼ pulgadas de diámetro).
- Los cilindros deben construirse y marcarse de acuerdo con las "Especificaciones para cilindros de gas propano licuado" del Departamento de Transporte (D.O.T.) de los EE.UU. o la Norma Nacional Canadiense "CAN/CSA-B339, Cilindros, esferas y tubos" o "Transporte de bienes peligrosos"; y Comisión, según aplique.

Requisitos Canadienses sobre los Cilindros de Propano Licuado

Nota: Su proveedor de venta al por menor puede ayudarle a buscar un tanque de reemplazo para su barbacoa.

- El cilindro de propano licuado debe estar construido y marcado de acuerdo con las especificaciones para cilindros de gas propano licuado, T.C. ♦



INSTRUCCIONES SOBRE EL GAS

INFORMACIÓN IMPORTANTE SOBRE EL CILINDRO DE PROPANO LICUADO

⚠ PELIGRO

NUNCA almacene un cilindro de gas propano licuado de reserva debajo o cerca de esta barbacoa. **NUNCA** llene el tanque más allá de un 80% lleno. El no acatar estrictamente estos avisos de **PELIGRO** pudiera resultar en un fuego letal o causar lesiones serias.

Su barbacoa de gas Weber® está equipada para usarse con un sistema de suministro desde cilindros diseñado para el retiro del vapor.

⚠ ADVERTENCIA: Solamente use esta barbacoa en un área bien ventilada al aire libre. No la use en un garaje, edificio, pasadizo techado o en cualquier otra área cerrada.

Las maneras correctas para llenar su cilindro son por peso o por volumen, según se describe en la norma NFPA-58. Por favor asegúrese de que su estación de llenado llene su cilindro de gas propano licuado midiendo el peso o el volumen. Pídale al personal de la estación de llenado que lean las instrucciones sobre cómo purgar y llenar el cilindro de gas propano licuado antes de tratar de llenarlo. ♦

PREPARATIVOS PARA LA BÚSQUEDA DE FUGAS

Verifique que Todas las Válvulas de los Quemadores Estén Cerradas

Las válvulas son despachadas de fábrica en la posición cerradas, pero usted debe verificarlo para asegurarse de que efectivamente estén cerradas. Verifíquelo presionándolas hacia abajo y girándolas hacia la derecha. Si no giran, están cerradas. Si sí girasen, continúe girándolas hacia la derecha hasta que paren; allí estarán cerradas.

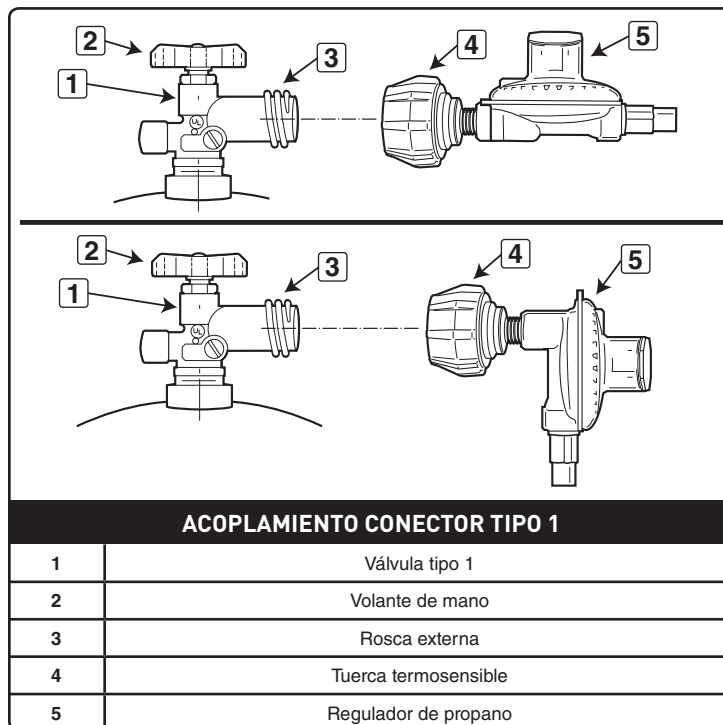
El Cilindro de Propano Licuado

Todos los reguladores de las barbacoas Weber® de gas propano licuado están equipados con una conexión de tanque certificada por los laboratorios UL de acuerdo a la más reciente edición de la norma ANSI Z21.58. Ello requerirá un tanque de propano licuado que esté igualmente equipado con una conexión Tipo 1 en la válvula del tanque. Este acoplamiento Tipo 1 permite realizar un conexión rápida y totalmente segura entre la barbacoa de gas y el tanque de propano licuado. El mismo elimina la posibilidad de fugas debido a una conexión POL que no esté debidamente apretada. El gas no fluirá del tanque a menos que el acoplamiento Tipo 1 esté completamente embebido dentro del acoplamiento.

⚠ ADVERTENCIA: Asegúrese de que la válvula del cilindro de propano licuado esté cerrada. Ciérrela girándola en la dirección de las manecillas del reloj.

⚠ PELIGRO

No utilice una llama abierta para comprobar si existen fugas de gas. Asegúrese de que no haya chispas o llamas abiertas en el área mientras comprueba si existen fugas. Chispas o llamas causarían un fuego o explosión, las cuales pueden causar serias lesiones corporales o la muerte, y daños a la propiedad.



INSTRUCCIONES SOBRE EL GAS

- A) Abra las puertas del gabinete base. Saque el regulador y la manguera fuera del gabinete (1).
- B) Ubique el clip de retención de la manguera (2) en la manguera del regulador. Fíjelo a la ranura en la parte de abajo de la escala del tanque (3).

⚠ ADVERTENCIA: La manguera debe fijarse a la escala del tanque con el clip de retención de la manguera. El no hacerlo podría causar daños a la manguera que podrían resultar en un fuego o explosión, que pueden causar lesiones corporales o la muerte y daños a la propiedad.

Algunos tanques de propano licuado tienen collarines superiores con ensamblajes diferentes. (El collarín superior es el aro protector de metal alrededor de la válvula.) Una serie de tanques se ensamblan con la válvula hacia adelante (4). Los demás tanques se ensamblan con la válvula viendo en dirección contraria a la escala de combustible (5). Weber recomienda el uso de cilindros fabricados por Manchester y Worthington, con una capacidad para 47,6 lbs. de agua. Otros cilindros pudieran ser aceptables para utilizarse con la aplicación siempre que sean compatibles con los medios de retención del artefacto (vea las ilustraciones).

El cilindro de propano licuado se instala dentro del gabinete base, sobre la escala del tanque (lado derecho).

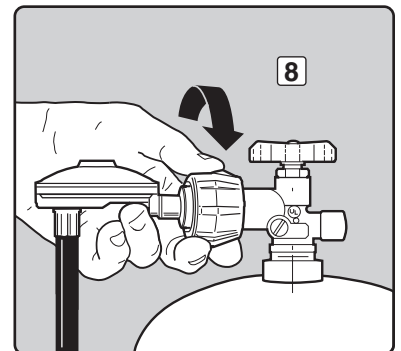
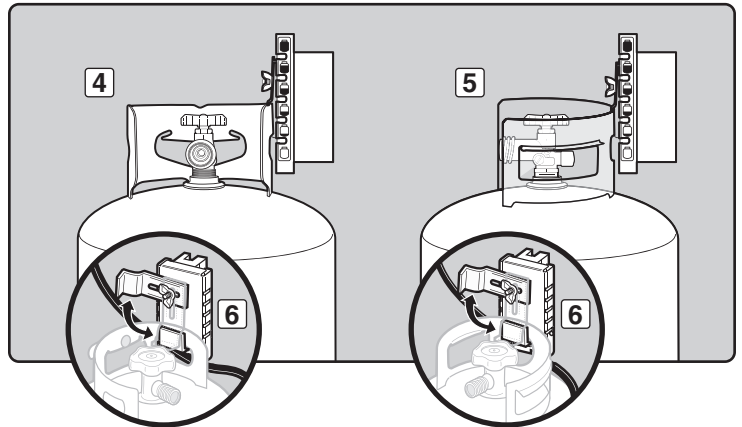
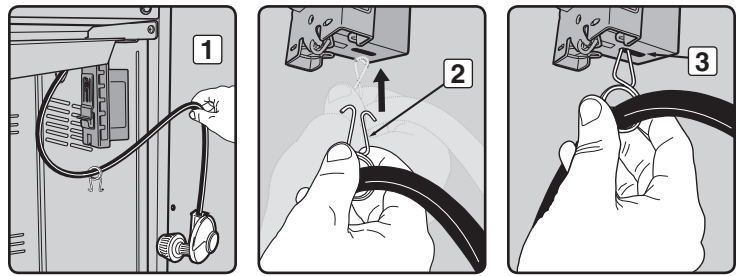
- C) Afloje la tuerca de orejas del seguro del cilindro. Gire el seguro del cilindro hacia arriba (6).
- D) Gire el cilindro de propano licuado de manera que la abertura de la válvula esté viendo hacia la parte frontal o lateral de la barbacoa de gas Weber®.
- E) Levante el tanque y colóquelo en posición sobre la báscula del tanque (7).
- F) Gire el seguro del cilindro hacia abajo. Apriete la tuerca de orejas.

Conecte la Manguera al Cilindro

- A) Retire la cubierta antipolvo de plástico de la válvula.
- B) Enrosque el acoplamiento del regulador a la válvula del tanque, en el sentido de las agujas del reloj o hacia la derecha (8). Apriete sólo a mano.

Nota: Esta conexión se aprieta hacia la derecha y no permitirá que el gas fluya a menos que la conexión esté apretada. La conexión sólo requiere apretarse a mano.

⚠ ADVERTENCIA: No use una llave para apretar la conexión. Si usase una llave, podría dañar el acoplamiento del regulador y causar una fuga.

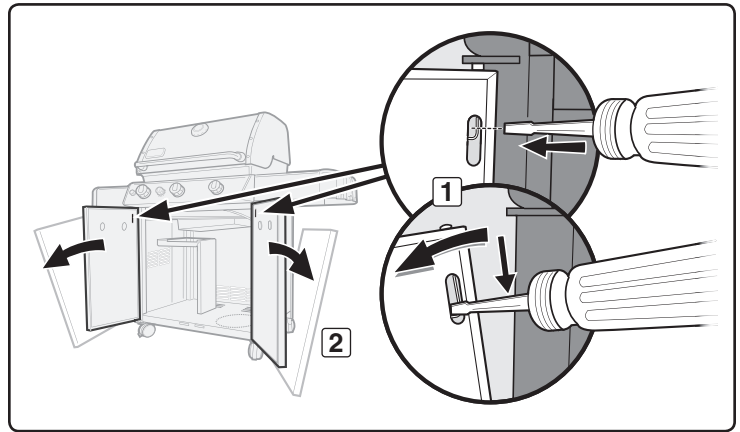


INSTRUCCIONES SOBRE EL GAS

Retire las Perillas de Control y el Panel de Control para las Pruebas de Detección de Fugas

Necesitará: destornilladores Phillips y de punta plana.

- Ubique el pasador de desenganche en el ensamble de la puerta. Con un destornillador, presione el pasador de desenganche de la puerta (1) hasta lograr que la puerta se desprenda del ensamble del bastidor. Hale la parte superior de la puerta fuera del ensamble del bastidor (2) y levante la puerta fuera del pasador de bisagra ajustable inferior.
- Retire las perillas de control, el botón de encendido, la tuerca de retención y la batería (3).
- Saque los tornillos del deflector de viento con un destornillador Phillips (4).
- Incline el extremo del deflector de viento hacia abajo y deslícelo en dirección contraria a usted para sacarlo (5).
- Permita que el módulo de encendido cuelgue de los cables. No lo desconecte (6).
- Saque los tornillos de la parte inferior del panel de control con un destornillador Phillips (7).
- Levante ligeramente el panel de control, incline el borde delantero hacia arriba y levántelo con cuidado (8).
- Al terminar las pruebas de detección de fugas, vuelva a colocar el panel de control y el deflector de viento en su lugar. ♦



DETECCIÓN DE FUGAS DE GAS

⚠ PELIGRO

No utilice una llama abierta para comprobar si existen fugas de gas. Asegúrese de que no haya chispas o llamas abiertas en el área mientras comprueba si existen fugas. Chispas o llamas causarían un fuego o explosión, las cuales pueden causar graves lesiones corporales o la muerte, y daños materiales.

Nota: Todas las conexiones hechas en la fábrica han sido revisadas a fondo para asegurar que no existan fugas. Los quemadores han sido probados con las llamas encendidas. Como medida de precaución, sin embargo, usted deberá de volver a revisar todas las conexiones en busca de fugas antes de utilizar su barbacoa de gas Weber®. Durante el manejo y despacho puede haberse aflojado o dañado alguna conexión de gas.

⚠ **ADVERTENCIA:** Las conexiones de gas de su barbacoa de gas han sido probadas en la fábrica. Le recomendamos que inspeccione todas las conexiones de gas antes de operar la barbacoa de gas.

⚠ **ADVERTENCIA:** Lleve a cabo estos chequeos de fugas aun y cuando su barbacoa haya sido ensamblada por el distribuidor o en la tienda donde la compró.

Si la barbacoa cuenta con un quemador lateral, asegúrese de que éste esté apagado.

Abra el suministro de gas en la fuente del mismo.

⚠ **ADVERTENCIA:** No encienda los quemadores mientras esté verificando la existencia de fugas.

Usted necesitará: una solución de agua y jabón y un trapo o una brocha para aplicarla.

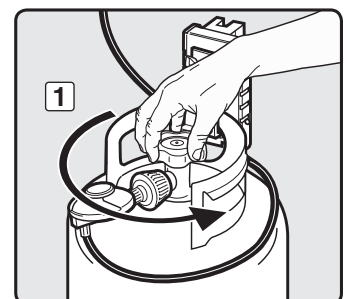
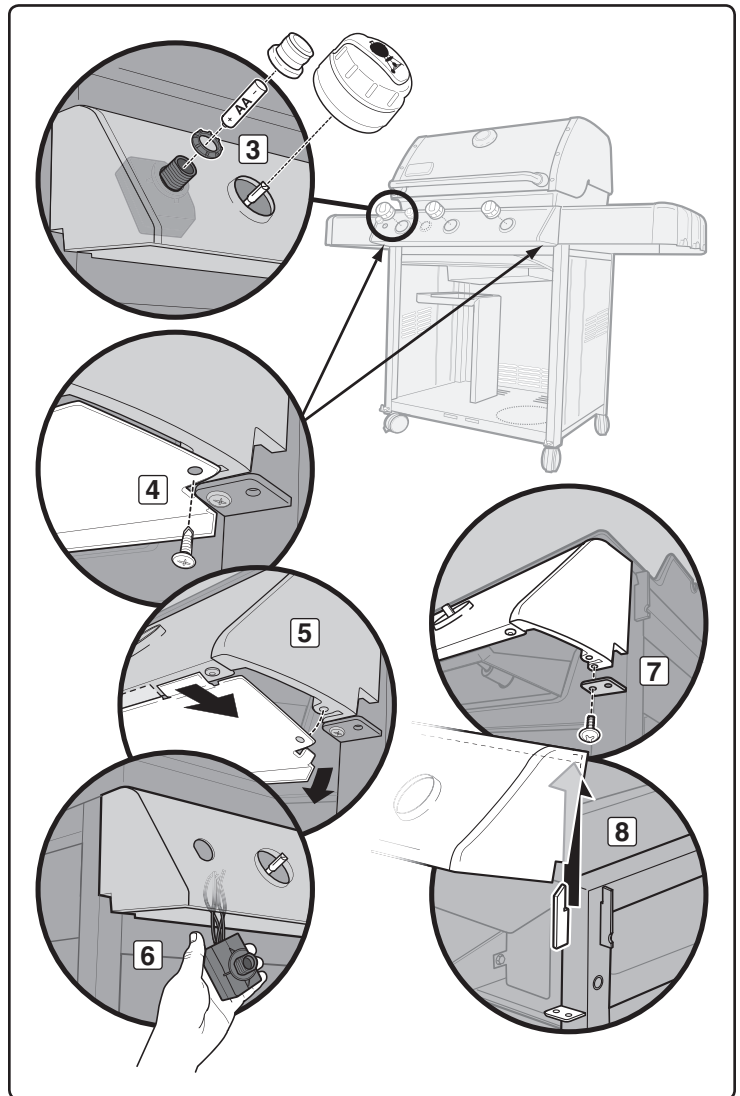
- Mezcle agua y jabón.
- Abra el suministro de gas (1).
- Compruebe la existencia de fugas mojando las conexiones con la solución de agua y jabón y viendo si se generan burbujas. Si se forman burbujas, o si una burbuja crece, es que hay una fuga.

Si hay una fuga, cierre el gas y apriete la conexión. Abra el gas de nuevo y con la solución de jabón y agua vuelva a verificar que no existan fugas. Si la fuga no cesa no utilice la barbacoa. Contacte al Representante de Servicios al Cliente en su área utilizando la información de contacto en nuestro sitio web. Conéctese a www.weber.com.

- Quando se haya completado la comprobación de las fugas de gas, cierre el suministro de gas en la fuente y lave las conexiones con agua.

Nota: Dado que algunas soluciones para la detección de fugas, incluyendo el agua y jabón, pueden ser ligeramente corrosivas, todas las conexiones deberán enjuagarse con agua después de realizar la comprobación de las fugas.

⚠ **ADVERTENCIA:** Cada vez que conecte o desconecte una conexión de gas, deberá verificar que no hayan fugas de gas.



INSTRUCCIONES SOBRE EL GAS

Verifique

- A) La conexión de la manguera del regulador al tabique divisorio (1).
- B) La conexión de la línea de gas principal al tabique divisorio (2).
- C) La conexión de la línea de gas principal al múltiple (3).

⚠ **ADVERTENCIA:** Si hubiese una fuga en una conexión (1, 2, o 3), vuelva a apretar la conexión con una llave y con la solución de agua y jabón vuelva a verificar que no hayan fugas de gas. Si una fuga persiste aún después de volver a apretar la conexión, **CIERRE el gas. NO OPERE LA BARBACOA.** Contacte al Representante de Servicios al Cliente en su área utilizando la información de contacto en nuestro sitio web. Conéctese a www.weber.com.

- D) La conexión de la manguera del regulador al cilindro (4).
- E) La conexión de la manguera del regulador al regulador (5).
- F) Las conexiones de las válvulas al múltiple (6).

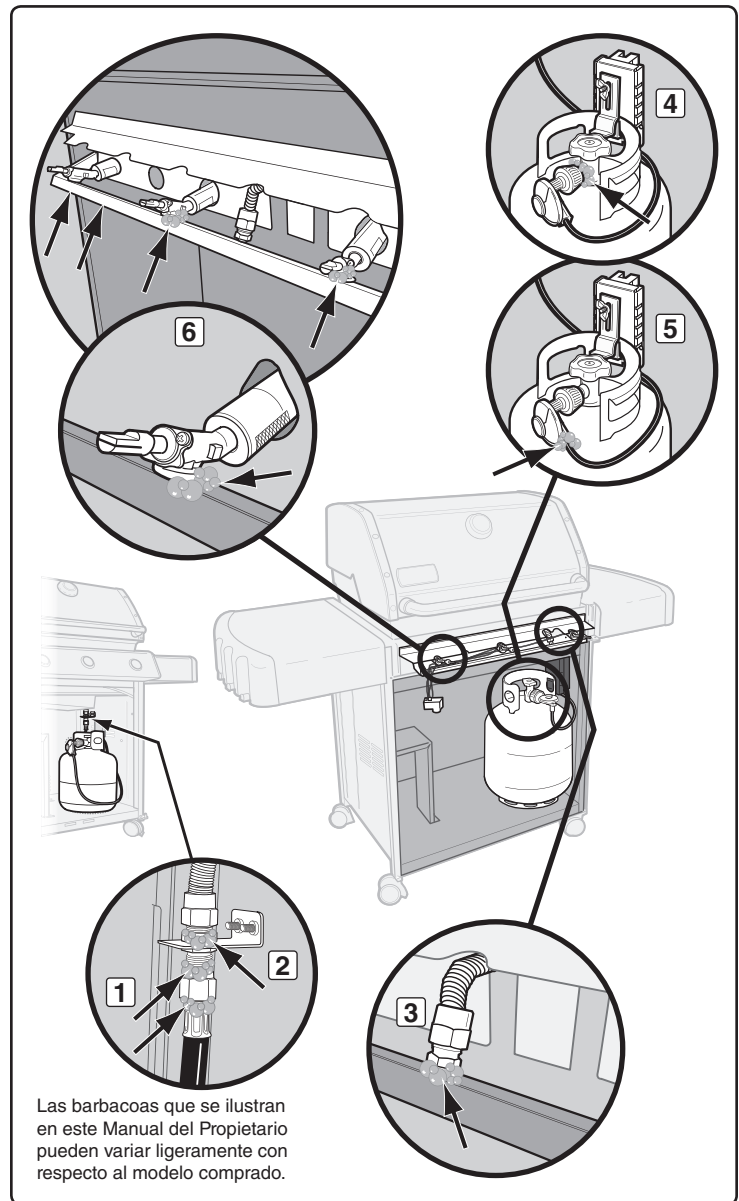
⚠ **ADVERTENCIA:** Si hubiese una fuga en las conexiones (4, 5 o 6), **CIERRE el gas. NO OPERE LA BARBACOA.** Contacte al Representante de Servicios al Cliente en su área utilizando la información de contacto en nuestro sitio web. Conéctese a www.weber.com.

Cuando se hayan completado las revisiones para detectar fugas de gas, **CIERRE el suministro de gas** y enjuague las conexiones con agua.

Reinstale el Panel de Control

Necesitará: un destornillador Phillips

- A) Posicione el borde superior del panel de control sobre las pestañas del bastidor. Empuje hacia abajo para que encaje su sitio.
- B) Reinstale el módulo de encendido.
- C) Deslice las dos pestañas más cortas del deflector de viento hacia el borde interno del panel de control mientras desliza la pestaña más larga sobre el borde externo. Como referencia, ubique las ilustraciones previas.
- D) Alinee los tornillos con los orificios de los tornillos tanto en el soporte del panel de control como en el bastidor.
- E) Apriete los tornillos.
- F) Coloque las perillas de control correspondientes sobre los vástagos de las válvulas. ♦



Las barbacoas que se ilustran en este Manual del Propietario pueden variar ligeramente con respecto al modelo comprado.

CÓMO RECARGAR EL CILINDRO DE PROPANO LICUADO

Le recomendamos que llene su cilindro de gas propano licuado antes de que éste se vacíe por completo.

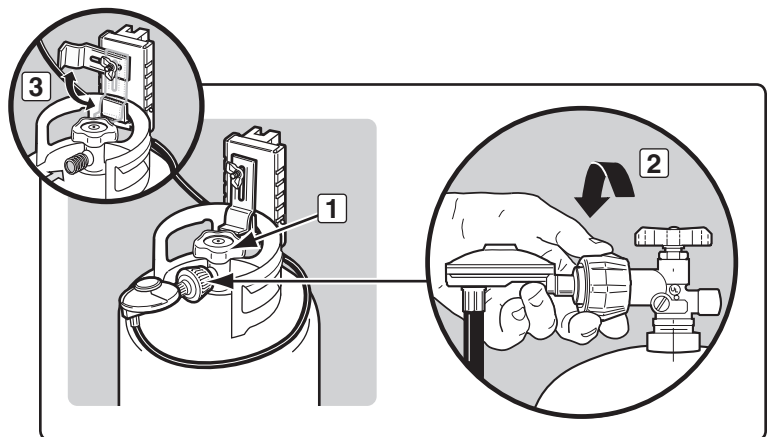
Cómo retirar el cilindro de gas propano licuado.

- A) Cierre la válvula del tanque (gire en el sentido de las agujas del reloj) (1).
- B) Desenrosque el cople del regulador girándolo, solamente a mano, en sentido contrario a las agujas del reloj (2).
- C) Afloje la tuerca de mariposa del seguro del cilindro y voltee el seguro hacia arriba para que no moleste (3).
- D) Levante el cilindro del soporte.

Para llenar un cilindro de gas propano, llévalo a un expendedor de gas propano, o busque a otros proveedores bajo "gas propano" en el directorio telefónico.

⚠ **ADVERTENCIA:** Recomendamos llenar su cilindro de gas propano licuado con un distribuidor de gas propano autorizado que tenga un encargado debidamente calificado y que llene el tanque en base a peso. **EL LLENADO INCORRECTO ES PELIGROSO.**

⚠ **PRECAUCIÓN:** Siempre que el cilindro esté sin usarse, coloque la capucha antipolvo sobre la salida de la válvula del mismo. Sólo instale sobre la salida de la válvula el tipo de capucha antipolvo con la que vino provista la misma. Otros tipos de capuchas o tapones pudieran causar fugas de propano. ♦

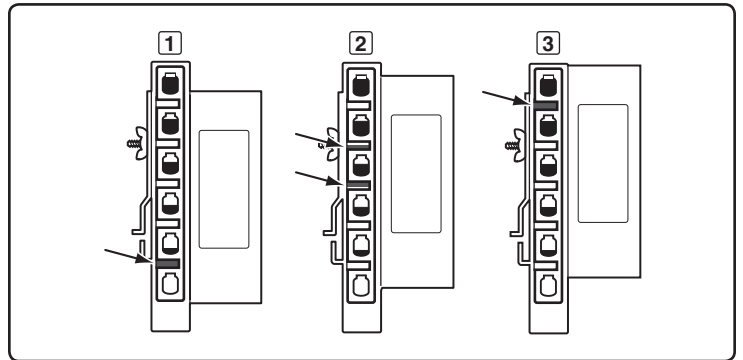


ANTES DE UTILIZAR LA BARBACOA

NIVEL DE COMBUSTIBLE

Verifique el nivel de combustible viendo la línea de color indicadora del nivel, ubicada al lado de la escala del tanque.

- A) Vacío (1)
- B) Medio (2)
- C) Lleno (3) ♦



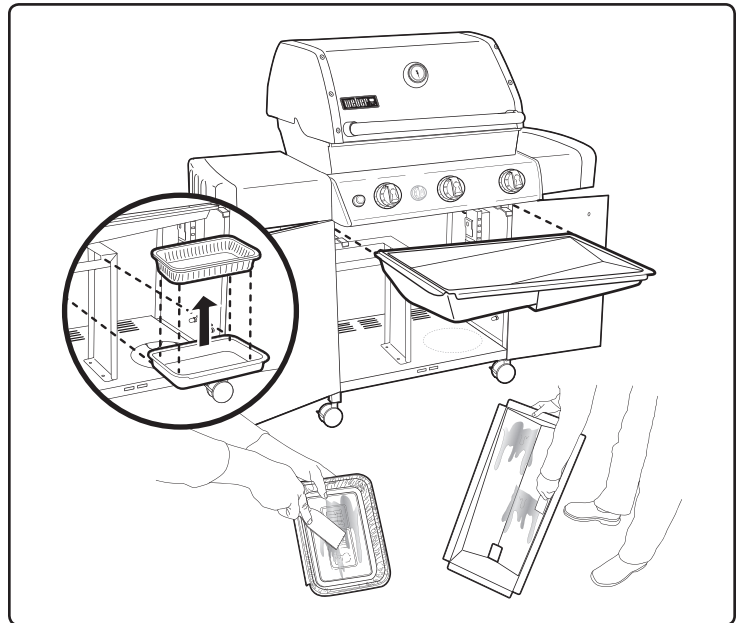
BANDEJA CORREDIZA RECOLECTORA DE GRASA Y BANDEJA DE GOTEO DESECHABLE

La barbacoa lleva incorporada un sistema de captación de grasa. Cada vez que vaya utilizar la barbacoa, revise la bandeja corrediza recolectora de grasa y la bandeja de goteo desechable para cerciorarse de que no se haya acumulado grasa en las mismas.

Retire el exceso de grasa con una espátula plástica; vea a la ilustración. Cuando sea necesario, lave la bandeja corrediza recolectora de grasa y la bandeja de goteo desechable con una solución de agua y jabón, y luego enjuáguelas con agua limpia. Reemplace la bandeja de goteo desechable en la medida que sea necesario.

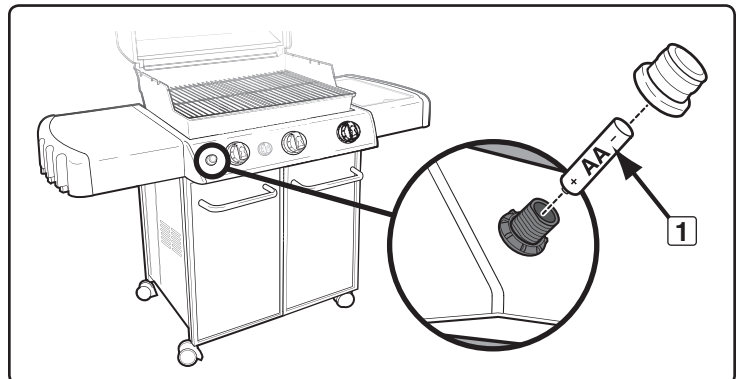
⚠ **ADVERTENCIA:** Cada vez que vaya utilizar la barbacoa, revise la bandeja corrediza recolectora de grasa y la bandeja de goteo desechable para cerciorarse de que no se haya acumulado grasa en las mismas. Retire cualquier exceso de grasa para evitar un incendio de grasa. Un incendio de grasa puede causar lesiones corporales graves o daños materiales.

⚠ **PRECAUCIÓN:** No forre la bandeja corrediza recolectora de grasa con hoja de aluminio. ♦



INSPECCIÓN DEL ENCENDEDOR ELECTRÓNICO

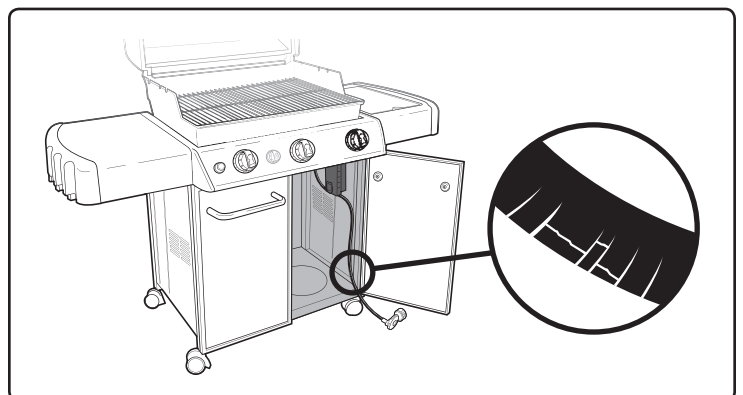
Verifique que la batería AA (solamente alcalinas) esté en buenas condiciones y correctamente instalada (1). Algunas baterías tienen una envoltura práctica protectora alrededor de ellas. Este plástico debe sacarse. No confunda este plástico con la etiqueta de la batería. ♦



INSPECCIÓN DE LA MANGUERA

Se deberá inspeccionar la manguera para ver si tiene alguna señal de agrietamiento.

⚠ **ADVERTENCIA:** Inspeccione la manguera previo a cada uso de la barbacoa y asegúrese de que no tenga muescas, grietas, abrasiones o cortes. Si se encontrase que la manguera estuviese dañada de cualquier manera, no utilice la barbacoa. Reemplácela solamente con una manguera de repuesto autorizada por Weber®. Contacte al Representante de Servicios al Cliente en su área utilizando la información de contacto en nuestro sitio web. Conéctese a www.weber.com. ♦



ENCENDIDO Y USO DEL QUEMADOR PRINCIPAL

ENCENDIDO DEL QUEMADOR PRINCIPAL

Nota: Instrucciones resumidas para el encendido se encuentran dentro de la puerta izquierda del gabinete.

⚠ PELIGRO

El no abrir la tapa mientras se estén encendiendo los quemadores de la barbacoa, o no esperar cinco minutos para que el gas se disipe si la barbacoa no se enciende, puede resultar en una llamarada explosiva, la cual puede causar lesiones corporales graves o la muerte.

- A) Abra la tapa (1).
- B) Asegúrese de que todas las perillas de control de los quemadores estén apagadas (2). (Presione la perilla de control y gírela en dirección de las agujas del reloj para asegurarse de que esté en la posición OFF [apagada].)

⚠ **ADVERTENCIA:** Las perillas de control de los quemadores deberán estar en la posición OFF (apagada) antes de abrir la válvula del tanque de propano licuado (3). Si no lo estuviesen, cuando abra la válvula del tanque de propano licuado se activará el “control de exceso de flujo” y limitará el flujo de gas desde el tanque de propano licuado. Si esto llegase a ocurrir, cierre la válvula del tanque de propano y las perillas de control del quemador. Comience de nuevo.

⚠ PELIGRO

Cuando se activa el “control de exceso de flujo”, una pequeña cantidad de gas sigue fluyendo a los quemadores. Después de cerrar la válvula del tanque de propano y las perillas de control de los quemadores, espere por lo menos cinco minutos para que el gas se disipe antes de tratar de encender la barbacoa. El no hacer esto podría resultar en una llamarada explosiva que puede causar lesiones corporales graves o la muerte.

- C) Para activar el tanque LP, gire lentamente la válvula del tanque en contra de las manecillas del reloj, espere 60 segundos antes de presionar y girar la perilla de control a la posición START/HI (encendido/fuego alto) (3).

Sistema de Encendido Electrónico

Cada perilla de control opera un quemador individual, y cada quemador se enciende con un encendedor electrónico. El sistema de encendido enciende cada quemador individualmente mediante una chispa proveniente del electrodo del encendedor ubicado dentro de la cámara de encendido Gas Catcher™. Usted genera la energía de la chispa al pulsar el botón de encendido electrónico. Lo oír hacer clic.

- D) Encienda los quemadores individualmente de izquierda a derecha. Comience con el quemador a la izquierda; presione la perilla de control y gírela hasta START/HI (encendido/fuego alto) (4). Pulse y mantenga presionado el botón de encendido electrónico (5). Lo oír hacer clic. Verifique que el quemador izquierdo esté encendido viendo hacia abajo a través de las parrillas de cocción. Deberá ver una llama (6).

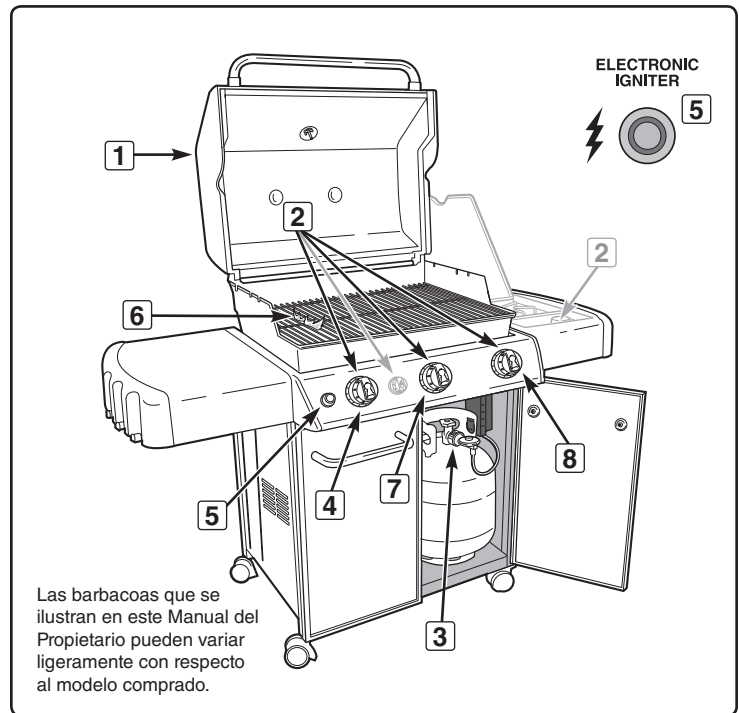
⚠ **ADVERTENCIA:** No se incline sobre la barbacoa abierta.

- E) Encienda el quemador central presionando la perilla de control y girándola hacia START/HI (encendido/fuego alto) (7). Luego, pulse y mantenga presionado el botón de encendido electrónico (5). Lo oír hacer clic. Verifique que el quemador central esté encendido viendo hacia abajo a través de las parrillas de cocción.

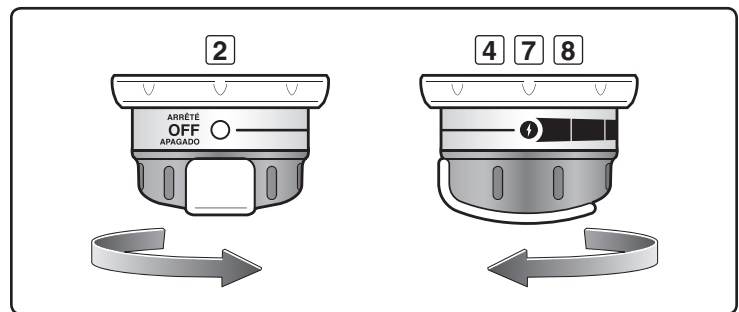
- F) Encienda el quemador derecho presionando la perilla de control y girándola hacia START/HI (encendido/fuego alto) (8). Pulse y mantenga presionado el botón de encendido electrónico (5). Lo oír hacer clic. Confirme que el quemador derecho esté encendido viendo hacia abajo a través de las parrillas de cocción.

⚠ **ADVERTENCIA:** Cada quemador debe encenderse individualmente pulsando el botón de encendido electrónico. El no hacerlo puede resultar en una llamarada de gas que puede causar lesiones corporales graves y daños materiales.

⚠ **ADVERTENCIA:** Si cualquier quemador no llegase a encenderse en el lapso de cinco segundos durante el encendido, pare, cierre la perilla de control del quemador (posición OFF) y espere cinco minutos para permitir que el gas se disipe antes de volver a intentarlo o encender la barbacoa con un cerillo. ♦



Las barbacoas que se ilustran en este Manual del Proprietario pueden variar ligeramente con respecto al modelo comprado.



PARA APAGAR

Presione y gire la perilla de control de cada quemador en dirección de las agujas del reloj a la posición OFF (apagada). Cierre el suministro de gas en la fuente del mismo. ♦

ENCENDIDO Y USO DEL QUEMADOR PRINCIPAL

ENCENDIDO MANUAL DEL QUEMADOR PRINCIPAL

⚠ PELIGRO

El no abrir la tapa mientras se estén encendiendo los quemadores de la barbacoa, o no esperar cinco minutos para que el gas se disipe si la barbacoa no se enciende, puede resultar en una llamarada explosiva, la cual puede causar lesiones corporales graves o la muerte.

- A) Abra la tapa (1).
- B) Asegúrese de que todas las perillas de control de los quemadores estén apagadas (2). (Presione la perilla de control y gírela en dirección de las agujas del reloj para asegurarse de que esté en la posición OFF [apagada].)

⚠ **ADVERTENCIA:** Las perillas de control del quemador deberán estar en la posición OFF (apagada) antes de abrir la válvula del tanque de propano licuado (3). Si no lo estuviesen, cuando abra la válvula del tanque de propano licuado se activará el “control de exceso de flujo” y limitará el flujo de gas desde el tanque de propano licuado. Si esto llegase a ocurrir, cierre la válvula del tanque de propano y las perillas de control del quemador. Comience de nuevo.

⚠ PELIGRO

Cuando se activa el “control de exceso de flujo”, una pequeña cantidad de gas sigue fluyendo a los quemadores. Después de cerrar la válvula del tanque de propano y las perillas de control del quemador, espere por lo menos cinco minutos para que el gas se disipe antes de tratar de encender la barbacoa. El no hacer esto podría resultar en una llamarada explosiva que puede causar lesiones corporales graves o la muerte.

- C) Para activar el tanque LP, gire lentamente la válvula del tanque en contra de las manecillas del reloj, espere 60 segundos antes de presionar y girar la perilla de control a la posición START/HI (encendido/fuego alto) (3).
- D) Encienda los quemadores individualmente de izquierda a derecha. Comience con el quemador a la izquierda. Coloque un cerillo en el portacerillos y enciéndalo. Inserte el portacerillos con el cerillo encendido a través de las parrillas de cocción, pasando las barras Flavorizer®, hasta quedar al lado del quemador izquierdo (4). Presione la perilla de control (5) y gírela hasta START/HI (encendido/fuego alto) para encender el quemador izquierdo. Verifique que el quemador izquierdo esté encendido viendo hacia abajo a través de las parrillas de cocción. Deberá ver una llama (6).

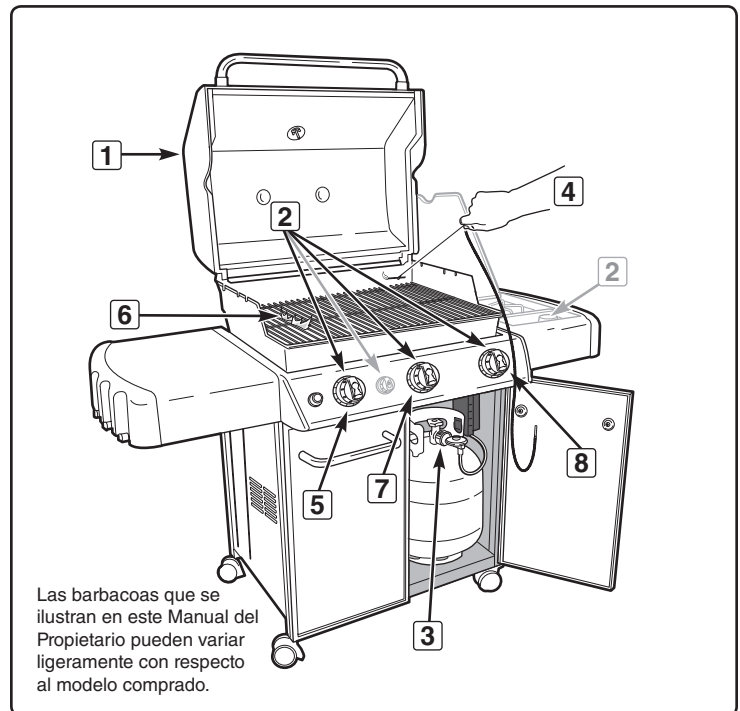
⚠ **ADVERTENCIA:** No se incline sobre la barbacoa abierta.

- E) Encienda el quemador central colocando un cerillo en el portacerillos y encendiendo el cerillo. Luego, inserte el portacerillos a través de las parrillas de cocción, pasando las barras Flavorizer®, hasta quedar al lado del quemador central. Presione la perilla de control (7) y gírela hasta START/HI (encendido/fuego alto) para encender el quemador central. Verifique que el quemador central esté encendido viendo hacia abajo a través de las parrillas de cocción.
- F) Encienda el quemador derecho colocando un cerillo en el portacerillos y encendiendo el cerillo. Luego, inserte el portacerillos a través de las parrillas de cocción, pasando las barras Flavorizer®, hasta quedar al lado del quemador derecho. Presione la perilla de control (8) y gírela hasta START/HI (encendido/fuego alto) para encender el quemador derecho. Verifique que el quemador derecho esté encendido viendo hacia abajo a través de las parrillas de cocción.

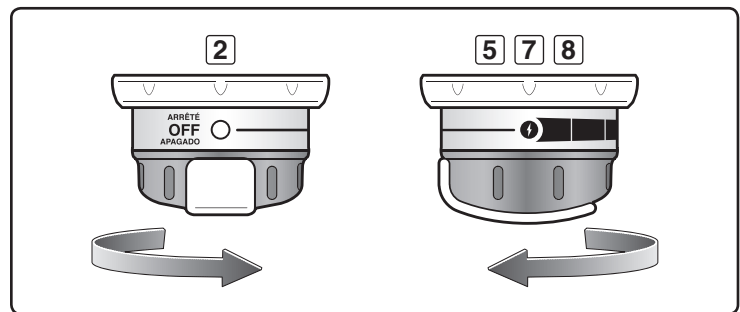
⚠ **ADVERTENCIA:** Si cualquier quemador no llegase a encenderse en el lapso de cinco segundos durante el encendido, pare, cierre la perilla de control del quemador (posición OFF) y espere cinco minutos para permitir que el gas se disipe antes de volver a intentarlo. ♦

PARA APAGAR

Presione y gire la perilla de control del quemador en dirección de las agujas del reloj a la posición OFF (apagada). Cierre el suministro de gas en la fuente del mismo. ♦



Las barbacoas que se ilustran en este Manual del Propietario pueden variar ligeramente con respecto al modelo comprado.



CONSEJOS PRÁCTICOS PARA ASAR

- Siempre precaliente la barbacoa antes de cocinar en la misma. Ajuste todos los quemadores a la posición llama alta y cierre la tapa, caliente durante 10 minutos, o hasta que el termómetro marque 500° – 550° F (260° – 288° C).
- Para alimentos siempre perfectamente asadas, dore la carnes y cocine con la tapa cerrada.
- Los tiempos de asado en las recetas son en base a una temperatura ambiental de 70° F (20° C) y poco o ningún viento. Permita un mayor tiempo de cocción en días fríos o de viento, o a mayores altitudes. Permita menos tiempo de cocción en climas extremadamente calurosos.
- Los tiempos pueden variar a causa del clima, o la cantidad, tamaño y forma de los alimentos asados.
- La temperatura de operación de la barbacoa de gas podría ser más caliente de lo normal durante los primeros usos.
- Las condiciones de asado pueden requerir el ajuste de los controles de los quemadores para obtener las temperaturas de cocción correctas.
- Por lo general, las piezas de carne más grandes requerirán mayor tiempo de cocción por libra que las piezas más chicas. Los alimentos abarrotados sobre una parrilla de cocción requerirán de más tiempo de cocción que sólo unos pocos alimentos. Los alimentos asados dentro de recipientes, tales como judías en salsa de tomate, tomarán más tiempo si se cocinan en una cacerola profunda que en una olla llana.
- Recorte el exceso de grasa de los bistecs, chuletas, y asados, dejando apenas ¼ de pulgada (6.4 mm) de grasa. Menos grasa facilita la limpieza, y es una garantía casi absoluta contra las indeseadas llamaradas.
- Los alimentos colocados sobre la parrilla de cocción directamente encima de los quemadores pudieran requerir que se les dé la vuelta o que se les mueva a un área menos caliente.
- Use tenacillas en vez de un tenedor para dar vuelta y manipular las carnes para así evitar perder los jugos naturales. Use dos espátulas para manipular un pescado entero grande.
- Si llegase a ocurrir alguna llamarada indeseada, apague todos los quemadores y mueva los alimentos a otra zona de la parrilla de cocción. Cualquier llama se apagará rápidamente. Una vez que las llamas se apaguen, vuelva a encender la parrilla. **JAMÁS USE AGUA PARA EXTINGUIR LAS LLAMAS EN UNA PARRILLA DE GAS.**
- Algunos alimentos, tales como los guisos o los filetes delgados de pescado, requerirán de un recipiente para asarlos. Las ollas desechables de lámina son muy convenientes, pero puede usarse cualquier olla de metal con asas resistentes al calor.
- Asegúrese siempre de que la bandeja corredera recolectora de grasa y el plato recolector estén limpios y libres de desechos.
- No forre la bandeja corredera recolectora de grasa con papel aluminio. Ello podría prevenir que la grasa fluya al plato recolector.
- El usar un temporizador le ayudará a alertarle cuando “bien cocido” esté a punto de convertirse en “sobre cocido.” ♦

PRECALENTADO

La barbacoa de gas Weber® es un artefacto que utiliza la energía eficientemente. La misma opera a una baja tasa de consumo calorífico. Es importante precalentar la barbacoa antes de asar. Encienda su barbacoa de gas Summit® de acuerdo con las instrucciones en este Guía del Propietario. Para precalentar: tras encender, gire los quemadores a la posición encendido/fuego alto, cierre la tapa, y caliente hasta que la temperatura alcance entre 500° y 550° F (260° y 290°C), la temperatura recomendada para asar. Esto tomará entre 10 y 15 minutos, dependiendo de tales condiciones como la temperatura del aire y el viento.

Puede ajustar los quemadores individuales a su gusto. Los ajustes de control son APAGADO, ENCENDER/FUEGO ALTO, FUEGO MEDIO, y FUEGO BAJO.



Nota: Las condiciones bajo las que se esté cocinando, tales como el viento y el tiempo, pueden hacer que se requieran ajustes a los controles de los quemadores para obtener las temperaturas de cocción correctas.

Nota: Si la barbacoa pierde calor mientras se está cocinando, refiérase a la sección de resolución de problemas de este manual.

⚠ ADVERTENCIA: No mueva la barbacoa de gas Weber® mientras esté en operación o esté caliente.

Si los quemadores se apagan durante la cocción, apague todos los quemadores y espere cinco minutos antes de volver a encender. ♦

COCCIÓN CUBIERTA

Todo asado deberá realizarse con la tapa cerrada para proporcionar un calor uniforme y con una circulación pareja. Con la tapa cerrada, la Barbacoa de Gas Summit® cocinará de manera muy parecida a un horno de convección. El termómetro en la tapa indica la temperatura de cocción dentro de la barbacoa. Todo precalentamiento y cocción se realiza con la tapa cerrada. Nada de miraditas - se pierde calor cada vez que usted abre la tapa. ♦

PRINGUES Y GRASA

Las barras del Flavorizer® han sido diseñadas para “ahumar” la cantidad correcta de pringues y así obtener una cocción con bastante sazón. Los jugos de cocción y el exceso de grasa se acumularán en el plato recolector debajo de la bandeja corredera recolectora de grasa. Hay disponibles bandejas de goteo desechables que caben en el plato recolector.

⚠ ADVERTENCIA: Antes de cada uso, revise que no haya grasa acumulada en la bandeja corredera recolectora de grasa y en el plato recolector. Retire el exceso de grasa para evitar que ésta se incendie en la bandeja corredera recolectora de grasa. ♦

EL SISTEMA FLAVORIZER®

Cuando los jugos de carne chorrean de la comida a las barras Flavorizer® colocadas a un ángulo especial, estas crean un humo que le da a la comida una sazón a barbacoa irresistible. Gracias al diseño único de los quemadores, las barras Flavorizer® y los flexibles controles de temperatura, los fognazos descontrolados han sido virtualmente eliminados, pues USTED controla las llamas. Debido al diseño especial de las barras Flavorizer® y de los quemadores, las grasas en exceso son dirigidas a través de la bandeja corredera recolectora de grasa al plato recolector. ♦

RESOLUCIÓN DE PROBLEMAS

PROBLEMA	VERIFIQUE	SOLUCIÓN
Los quemadores queman con una llama amarilla o anaranjada, conjuntamente con un olor a gas.	Revise que no haya obstrucciones en la malla contra arañas e insectos. (Taponamiento de orificios.)	Limpie las mallas contra arañas e insectos. Consulte la sección "MANTENIMIENTO ANUAL"
Síntomas: Los quemadores no se encienden. -o- Los quemadores presentan una llama pequeña y parpadeante en la posición HI (FUEGO ALTO). -o- La temperatura de la barbacoa solamente alcanza 250° a 300° en la posición HI (FUEGO ALTO).	Puede haberse activado el dispositivo de seguridad contra el caudal excesivo, el cual es parte de la conexión de la barbacoa al cilindro.	Para restablecer el dispositivo de seguridad que previene el exceso de flujo, cierre la válvula del tanque de propano licuado y cierre todas las perillas de control de los quemadores (posición OFF). Abra la tapa de la barbacoa. Lentamente abra la válvula del tanque de propano líquido hasta quedar abierta por completo. Espere varios segundos y luego encienda la barbacoa. Consulte "ENCENDIDO DEL QUEMADOR PRINCIPAL."
El quemador no enciende, o la llama se mantiene baja en la posición HI (fuego alto).	¿Está el tanque de propano licuado vacío o bajo de combustible?	Rellene el tanque de propano licuado.
	¿Está doblada la manguera de combustible?	Enderece la manguera de combustible.
El quemador no se enciende al pulsar el botón de encendido.	Para asegurarse de que el gas esté fluyendo a los quemadores, trate de encender los quemadores con un cerillo. Consulte la sección "ENCENDIDO MANUAL DEL QUEMADOR PRINCIPAL"	Si logra encenderlos con un cerillo, el problema está en el sistema de encendido. Consulte la sección "OPERACIONES DE LOS SISTEMAS DE ENCENDIDO ELECTRÓNICO"
	¿Se tiene una batería fresca recién instalada?	Verifique que la batería esté en buen estado y correctamente instalada. Consulte la sección "INSPECCIÓN DEL ENCENDEDOR ELECTRÓNICO"
	¿Están todos los cables correctamente conectados al módulo encendedor?	Asegúrese de que los cables estén correctamente insertados dentro de los terminales en el cajetín de encendido. Consulte la sección "OPERACIONES DE LOS SISTEMAS DE ENCENDIDO ELECTRÓNICO"
	¿Está la nueva batería envuelta en plástico?	Quite la envoltura plástica.
Se producen llamaradas: ⚠ PRECAUCIÓN: No forre la bandeja deslizante para la grasa con papel aluminio.	¿Está precalentando la barbacoa de la manera indicada?	Coloque todos los quemadores en la posición HI (fuego alto) durante 10 a 15 minutos para precalentar la barbacoa.
	¿Están las rejillas de cocinar, los reflectores de calor y las barras Flavorizer® recubiertas con una capa gruesa de grasa quemada?	Límpielos a fondo. Consulte la sección "LIMPIEZA"
	¿Está sucia la bandeja deslizante de grasa y no deja que la grasa fluya al plato recolector?	Limpie la bandeja deslizante de grasa.
El quemador produce llamas con un patrón errático. La llama se mantiene baja cuando el quemador está en posición HI (fuego alto). Las llamas no corren a lo largo de todo el tubo del quemador.	¿Están limpios los quemadores?	Limpie los quemadores. Consulte la sección "MANTENIMIENTO"
La parte interna de la tapa pareciera estar "pelándose". (Se parece al desprendimiento de pintura.)	La parte interna de la tapa es de esmalte de porcelana o de acero inoxidable, y no está pintada. No puede "pelarse". Lo que está viendo es grasa asada que se ha convertido en carbón y se está descascarando. ESTO NO ES UN DEFECTO.	Limpie a fondo. Consulte la sección "LIMPIEZA"
Las puertas del gabinete no están alineadas.	Revise el esparrago de ajuste en la parte inferior de cada puerta.	Afloje la tuerca o tuercas de ajuste. Deslice la puerta o puertas hasta quedar alineadas. Apriete la tuerca.
Si los problemas no pueden corregirse usando cualquiera de estos métodos, sírvase contactar al Representante de Atención al Cliente en su área usando la información de contacto en nuestro sitio web. Conéctese a www.weber.com .		

LIMPIEZA

⚠ **ADVERTENCIA:** Apague la barbacoa de gas Weber® y espere a que se enfríe antes de limpiarla.

Superficies externas — Utilice una solución de agua jabonosa tibia para limpiarlas y luego enjuáguelas con agua.

⚠ **PRECAUCIÓN:** Sobre la superficie de la barbacoa o del carro no utilice limpiadores de horno, limpiadores abrasivos (limpiadores de cocinas), limpiadores que contengan productos cítricos, o almohadillas de limpieza abrasivas.

Bandeja corrediza recolectora de grasa — Retire el exceso de grasa, luego lávela con agua jabonosa tibia y finalmente enjuáguela.

⚠ **PRECAUCIÓN:** No frote la bandeja corrediza recolectora de grasa con papel aluminio.

Barras Flavorizer® y rejillas de cocción — Límpielas con un cepillo de cerdas de acero inoxidable adecuado. Según se requiera, retírela de la barbacoa y lávela con agua jabonosa tibia y luego enjuáguela con agua.

⚠ **PRECAUCIÓN:** Los cepillos para parrillas se deben revisar con regularidad para asegurarse de que no tengan cerdas sueltas ni excesivo desgaste. Reemplace el cepillo si se consiguen cerdas sueltas en las parrillas de cocción o en el cepillo en sí. Weber recomienda comprar un nuevo cepillo de acero inoxidable para parrillas al inicio de cada primavera.

⚠ **PRECAUCIÓN:** No limpie las barras Flavorizer® o las parrillas cocción en un horno autolimpiante.

Para averiguar donde comprar las parrillas de cocción y las barras Flavorizer® de reemplazo, contacte al Representante de Atención al Cliente en su área usando la información de contacto en nuestro sitio web. Conéctese a www.weber.com.

Plato recolector — Compruebe que no haya acumulación de grasa en la bandeja recogedora de aluminio siempre que utilice la barbacoa. Elimine el exceso de grasa con un raspador de plástico. Lave la bandeja recogedora de aluminio con agua jabonosa caliente y aclare con agua. Hay bandejas recogedoras de gotas de aluminio desechables que se adaptan a la bandeja recogedora.

Termómetro — Pásele un trapo con agua tibia jabonosa, y límpielo con una pelota plástica de fregar.

Caja de cocción — Quite cualquier resto de los tubos del quemador. NO AGRANDE LAS ABERTURAS DE LOS QUEMADORES. Lave la parte interior de la caja de cocción con agua jabonosa y luego enjuáguela con agua.

Tapa interna — Mientras la tapa esté tibia, limpie la parte interna con una toalla de papel para prevenir la acumulación de grasa. La grasa acumulada escamada se asemeja a las escamas de pintura.

Superficies de acero inoxidable — Lávelas con un paño suave y una solución de agua y jabón. Tenga cuidado de fregarlas en la dirección del grano del acero inoxidable.

No utilice limpiadores que contengan ácido, destilado de petróleo, o xileno. Enjuáguelas bien después de lavarlas.

Preserve su acero inoxidable — La barbacoa o su gabinete, tapa, panel de control y estantes pudieran estar hechos de acero inoxidable. Es sencillo mantener vistoso al acero inoxidable. Límpielo con agua y jabón, enjuáguelo con agua limpia, y séquelo con un trapo. Para partículas difíciles de sacar, se puede usar un cepillo no metálico.

⚠ **IMPORTANTE:** No utilice cepillos de alambre o limpiadores abrasivos sobre las superficies de acero inoxidable ya que las rayarán.

⚠ **IMPORTANTE:** Al limpiar las superficies asegúrese de frotar/restregar en la dirección del grano para preservar la vistosidad del acero inoxidable. ♦

MALLAS WEBER® CONTRA ARAÑAS E INSECTOS

La barbacoa de gas Weber®, al igual que cualquier otro aparato de gas al aire libre, es un blanco para las arañas y demás insectos. Pueden crear sus nidos en la sección del venturi (1) del tubo quemador. Esto bloquea el flujo normal de gas, y puede causar que el gas fluya hacia atrás por la válvula de aire de combustión. Esto puede resultar en un fuego en y alrededor de las aberturas para el aire de combustión, causando un daño serio a la barbacoa.

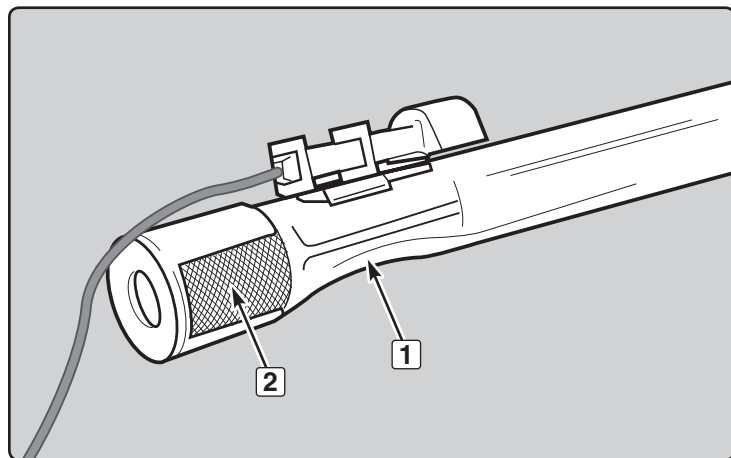
La compuerta de cierre del aire del tubo quemador está equipada con una malla (2) de acero inoxidable para prevenir la entrada de arañas e insectos a los tubos quemadores a través de las aberturas para el aire de combustión.

Le recomendamos que inspeccione las mallas contra arañas e insectos por lo menos una vez al año (vea "MANTENIMIENTO ANUAL"). También, inspeccione y limpie dichas mallas si cualquiera de los siguientes síntomas se presentase:

- A) Huele a gas conjuntamente con llamas del quemador con una apariencia amarilla y floja.
- B) La barbacoa no alcanza la temperatura de funcionamiento.
- C) La barbacoa se calienta de manera dispereja.
- D) Uno o más quemadores no se encienden.

⚠ PELIGRO

El no corregir estos síntomas pudiera resultar en un fuego que puede causar lesiones corporales serias o la muerte y daños a la propiedad. ♦



LIMPIEZA O REEMPLAZO DE LOS TUBOS DE LOS QUEMADORES

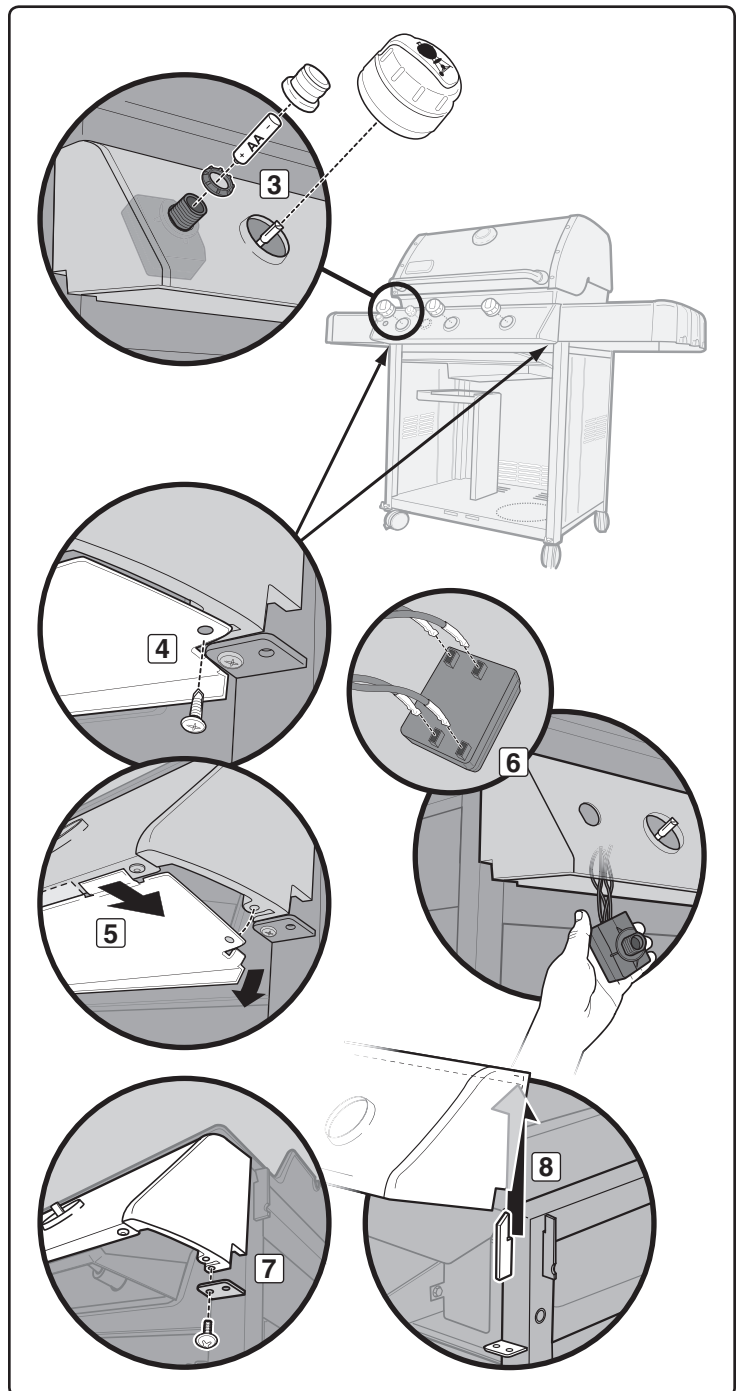
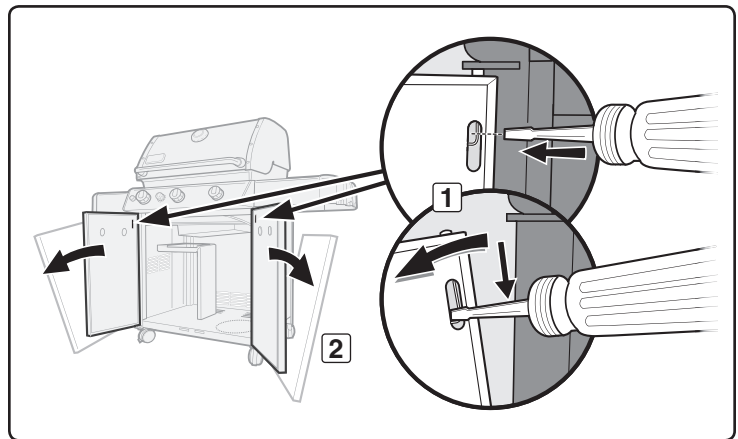
Asegúrese de que la barbacoa esté apagada

- A) Cierre el suministro de gas en la fuente y desconecte la conexión de gas.
- B) Verifique que todas las perillas de control de los quemadores estén en la posición apagada (O). Verifíquelo presionando las perillas de control de los quemadores y girándolas en sentido de las agujas del reloj hasta el tope. Si no giran, ya están cerradas. Si sí giran, siga girándolas en sentido de las agujas del reloj hasta que se detengan; entonces estarán apagadas. Si la barbacoa cuenta con un quemador lateral, asegúrese de que la perilla de control del mismo esté en la posición apagada.
- C) Retire los componentes de la caja de cocción: la rejilla para calentar, las parrillas y las barras Flavorizer®. (Los deflectores del calor no necesitan retirarse.)

Retire el panel de control

Usted necesitará: Un destornillador Phillips.

- A) Localice el pasador de desenganche del conjunto de la puerta. Con un destornillador, presione hacia abajo el pasador de desenganche de la puerta (1) hasta que el ensamblaje de la puerta se separe de ensamblaje del bastidor (2) y levante el ensamblaje de la puerta del pasador ajustable inferior de la bisagra.
- B) Retire las perillas de control de los quemadores, el botón de encendido, la tuerca de retención del encendedor y la batería (3).
- C) Con un destornillador Phillips, saque los tornillos del deflector de viento (4) situado debajo del panel de control.
- D) Inclíne el extremo del deflector de viento hacia abajo y deslícelo para sacarlo (5).
- E) Retire el módulo de ignición del panel de control (6) y saque todos los cables del módulo.
- F) Saque los tornillos de la parte inferior del panel de control con un destornillador Phillips (7).
- G) Levante el panel de control ligeramente, incline el borde delantero hacia arriba y con cuidado levántelo y sáquelo (8).



LIMPIEZA O REEMPLAZO DE LOS TUBOS DE LOS QUEMADORES (continuación)

Retire los tubos de los quemadores

Usted necesitará: Un destornillador hembra de 5/16 pulg.

- Saque el o los cables de encendido de los clips de encendido (9).
- Usando un destornillador de tuercas de 5/16 pulg., retire los tornillos que fijan el canal Crossover® a la parte posterior interior de la caja de cocción (10).
- Retire el tornillo que sujeta el tubo del quemador a la caja de cocción con un destornillador de tuercas de 5/16 pulg. (11).
- Hale el conjunto del tubo del quemador (que incluye el encendedor) hacia arriba y fuera de la caja de cocción (12).

Nota: las unidades 310 tendrán un cable adicional de puesta a tierra conectado al tubo del quemador central (13).

Limpié los tubos de los quemadores

Usted necesitará: Una linterna, un alambre (un gancho de ropa enderezado), un cepillo de cerdas de acero inoxidable adecuado y un cepillo de cerdas suaves (cepillo de dientes).

- Mire dentro de cada tubo de los quemadores y canal Crossover® channel with a torch (14).
- Limpié cualquier suciedad u obstrucción en el interior de los tubos de los quemadores y en el canal Crossover® con el alambre (15).
- Revise las mallas contra arañas e insectos en los extremos de los tubos de los quemadores y límpiélas con el cepillo de cerdas suaves (16).

⚠ PRECAUCIÓN: No limpie las mallas contra arañas e insectos con herramientas duras o afiladas. No saque las mallas contra arañas e insectos ni agrande los orificios de las mismas.

- Utilice el cepillo de cerdas de acero para limpiar el exterior de los tubos de los quemadores y el canal del Crossover® (17). Esto se hace para asegurarse de que todas las aberturas de los tubos de los quemadores que corren a lo largo de la longitud de los tubos estén completamente abiertas. Al limpiar los tubos de los quemadores, evite causar daños al electrodo de encendido cepillándolo con cuidado a su alrededor.

Vuelva a instalar los tubos de los quemadores

Usted necesitará: Un destornillador hembra de 5/16 pulg.

- Deslice el tubo del quemador y el cable del encendedor a través del orificio en la caja de cocción (18). Consulte las "OPERACIONES DEL SISTEMA DE ENCENDIDO ELECTRÓNICO" para ver la posición correcta del tubo del quemador.
- Alinee el tubo del quemador con la válvula.

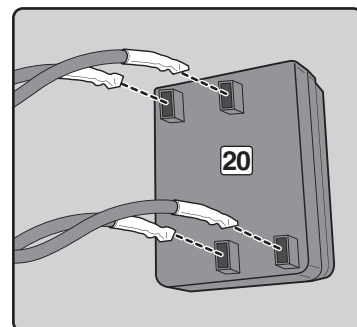
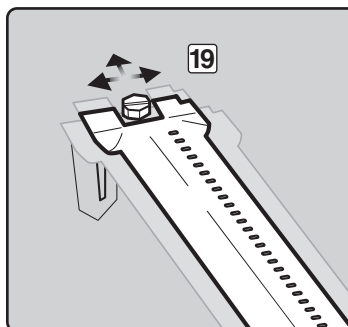
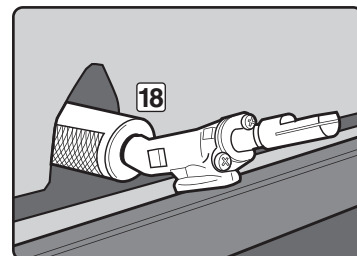
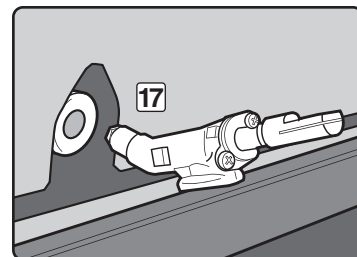
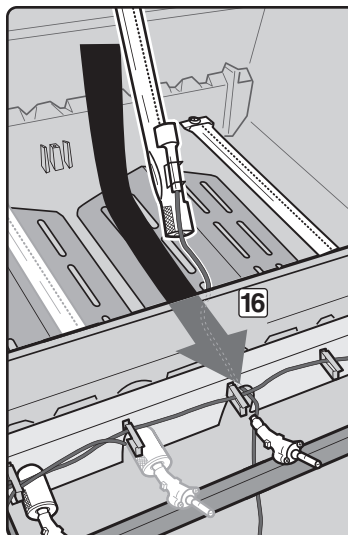
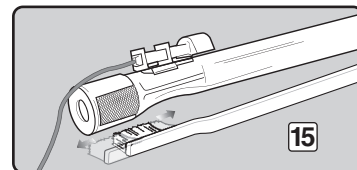
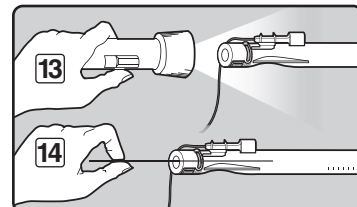
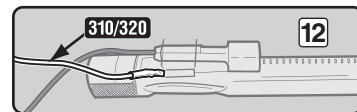
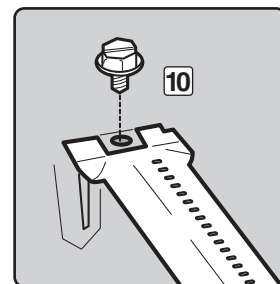
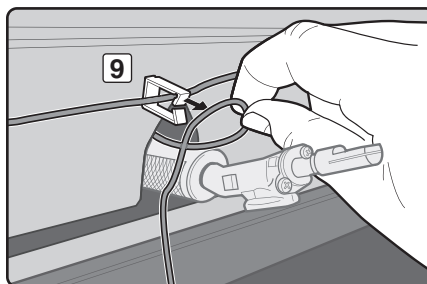
⚠ PRECAUCIÓN: Las aberturas de los tubos de los quemadores (19) deberán posicionarse correctamente sobre los orificios de las válvulas (20).

- Vuelva a instalar los tornillos que sujetan el canal Crossover® a la caja de cocción con un destornillador de tuercas de 5/16 pulg. (21).
- Vuelva a instalar el tornillo que sujeta el tubo del quemador a la caja de cocción con un destornillador de tuercas de 5/16 pulg. El tubo del quemador podría aparentar estar flojo (22) cuando el tornillo esté bien ajustado. Esto es normal.
- Pase los cables de nuevo a través de los clips del encendedor. Consulte de nuevo la figura (9).

⚠ PRECAUCIÓN: Todos los cables deben estar correctamente pasados a través de los clips de los cables.

- Conecte los cables al módulo de encendido, siguiendo el código numérico y de colores (23). Para las conexiones correctas de los cables, consulte las "OPERACIONES DEL SISTEMA DE ENCENDIDO ELECTRÓNICO".

⚠ ADVERTENCIA: Asegúrese de que todas las piezas estén ensambladas y que todos los herrajes estén completamente apretados antes de operar la barbacoa. Si no llegase a acatar esta Advertencia del Producto, sus acciones podrían causar un fuego, una explosión o una falla estructural que podrían resultar en lesiones corporales graves o la muerte además de daños materiales. ♦



MANTENIMIENTO

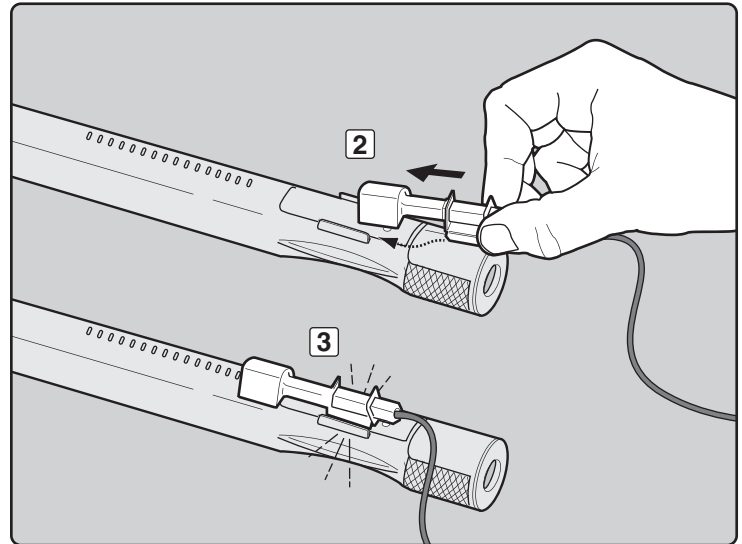
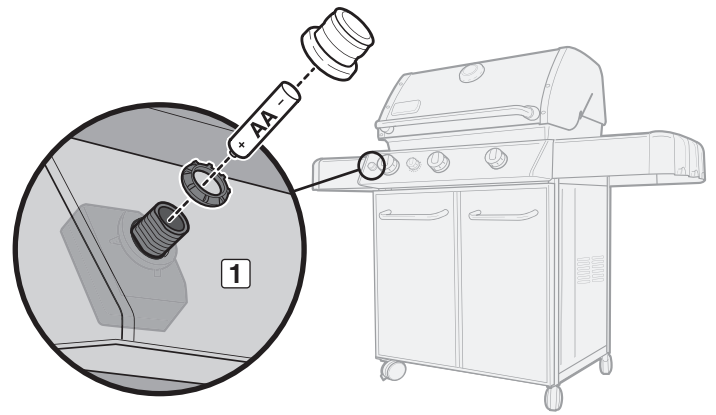
OPERACIONES DEL SISTEMA DE ENCENDIDO ELECTRÓNICO

Si el sistema de encendido electrónico no llegase a encender, asegúrese de que esté fluyendo gas mediante el encendido de los quemadores con un cerillo. Consulte la sección "ENCENDIDO MANUAL DEL QUEMADOR PRINCIPAL" Si se logra encender con un cerillo, el problema está en el encendido electrónico.

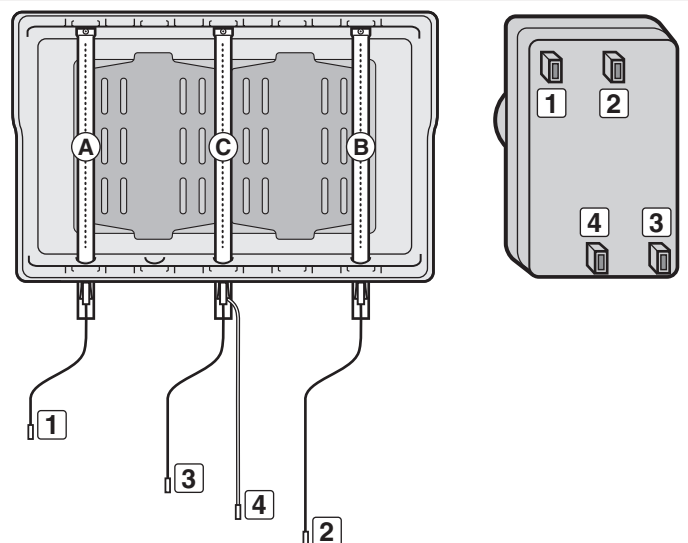
⚠ ADVERTENCIA: Todos los controles de gas y válvulas de suministro deberán estar cerrados en la posición OFF.

- Verifique que la batería AA (solamente alcalinas) esté en buenas condiciones y correctamente instalada (1). Algunas baterías tienen una envoltura práctica protectora alrededor de ellas. Este plástico debe sacarse. No confunda este plástico con la etiqueta de la batería.
- Asegúrese de que los cables de encendido estén conectados correctamente al módulo de encendido. Consulte la "GUÍA DE LOS CABLES DEL MÓDULO DE ENCENDIDO" a continuación.
- Asegúrese de que el conjunto del encendedor cerámico esté completamente colocado dentro del canal de encendido del tubo quemador (2). Si está correctamente colocado, oírá un chasquido (3).
- Asegúrese de que el botón de encendido electrónico esté funcionando escuchando y viendo si se generan chispas en el quemador.

Si el sistema de encendido electrónico aún no logra encender la barbacoa, póngase en contacto con el Representante de de Servicios al Cliente en su área utilizando la información de contacto en nuestro sitio web. Conéctese a www.weber.com.



GUÍA DE CABLEADO DEL MÓDULO DE ENCENDIDO 310



Color de los extremos de los cables y de los terminales	Tubo quemador
Negro (1)	Quegador izquierdo (A)
Amarillo (2)	Quegador derecho (B)
Azul (3)	Quegador central (C)
Verde (tierra) (4)	Quegador central (C)

MANTENIMIENTO ANUAL

Inspección y Limpieza de la Malla contra Arañas y Demás Insectos

Para inspeccionar la malla contra arañas y demás insectos, retire el panel de control. Si hubiese polvo o sucio sobre las mallas, retire los quemadores para limpiar las mallas.

Con un cepillo de cerdas suaves (p.ej.: un cepillo de dientes viejo), cepille suavemente las mallas contra arañas y demás insectos.

⚠ PRECAUCIÓN: No limpie las mallas contra arañas y demás insectos con herramientas duras o afiladas. No las desmonte ni agrande los orificios de las mismas.

Golpee ligeramente el quemador para sacar la basura y suciedad fuera del tubo quemador. Una vez limpios, vuelva a colocar las mallas y quemadores en su sitio.

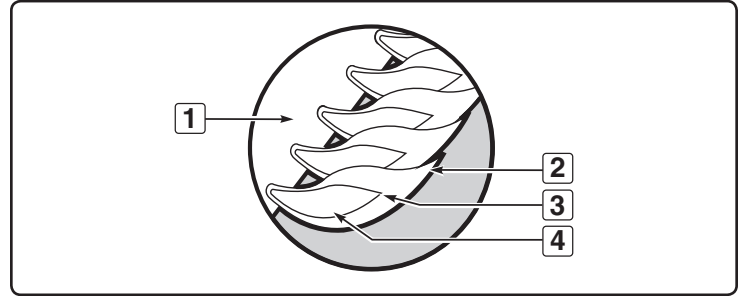
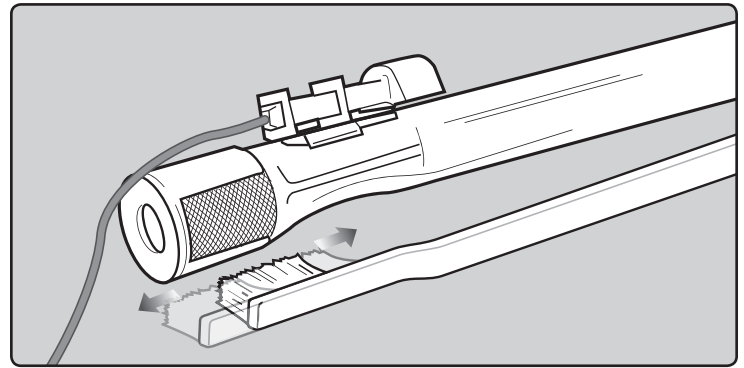
Si la malla contra arañas y demás insectos se dañase o no pudiese limpiarse, por favor póngase en contacto con el Representante de Servicios al Cliente de su zona, cuya datos de contacto encontrará en nuestro sitio en la Internet. Conéctese a www.weber.com.

Patrón de la Llama del Quemador

Los quemadores de la barbacoa de gas Weber® han sido ajustados en la fabrica para que les entre la mezcla correcta de aire y gas. El patrón de llama correcto se muestra en la ilustración y se describe a continuación:

- A) Tubo quemador (1)
- B) Las puntas ocasionalmente titilarán con un color amarillo (2)
- C) Azul claro (3)
- D) Azul oscuro (4)

Si las llamas no se presentan de manera uniforme a lo largo del tubo quemador, siga las instrucciones de limpieza del quemador. ♦



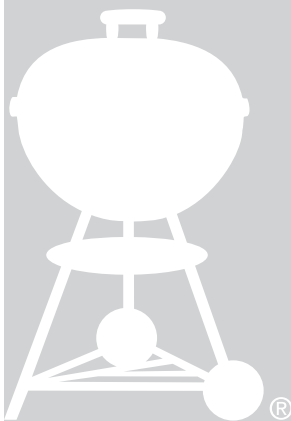


GENESIS®

GUIDE DU PROPRIÉTAIRE DU BARBECUE

ENREGISTRER VOTRE BARBECUE

Merci d'avoir acheté un barbecue Weber®. Prenez quelques minutes pour protéger votre investissement en enregistrant votre barbecue en ligne sur www.weber.com. Utilisez le numéro de série présent sur la page de couverture de ce guide du propriétaire.



E-310™ · EP-310™ · S-310™

LP

**VOUS DEVEZ LIRE CE MODE D'EMPLOI AVANT
D'UTILISER VOTRE GRILL A GAZ.**

⚠ DANGER

S'il y a une odeur de gaz :

- 1) Coupez l'admission de gaz de l'appareil.
- 2) Éteindre toute flamme nue.
- 3) Ouvrir le couvercle.
- 4) Si l'odeur persiste, éloignez-vous de l'appareil et appelez immédiatement le fournisseur de gaz ou le service d'incendie.

Une fuite de gaz risque de provoquer un incendie ou une explosion susceptible d'occasionner des blessures graves, voire mortelles, ou des dégâts matériels.

Suivez toutes les procédures de détection des fuites de ce manuel avec soin avant d'utiliser le barbecue. Faites-le même si le barbecue a été assemblé par le revendeur.

⚠ AVERTISSEMENT

- 1) Ne pas entreposer ni utiliser de l'essence ni d'autres vapeurs ou liquides inflammables dans le voisinage de l'appareil, ni de tout autre appareil.
- 2) Une bouteille de propane qui n'est pas raccordée en vue de son utilisation, ne doit pas être entreposée dans le voisinage de cet appareil ou de tout autre appareil.

N'allumez pas cet appareil sans lire d'abord les sections traitant de L'ALLUMAGE DU BRULEUR de ce manuel.

**CET APPAREIL A GAZ EST
CONCU POUR UNE UTILISATION
À L'EXTERIEUR UNIQUEMENT.**

**NOTE A L'INTENTION DE
L'INSTALLATEUR :** les présentes instructions doivent être remises au propriétaire et le propriétaire devrait les conserver pour les utiliser plus tard.



48706

FC - FRENCH CANADIAN

⚠ DANGER

Le non respect des consignes intitulées Danger, Mise en garde et Attention contenues dans le présent Mode d'emploi peut entraîner une blessure grave ou la mort, ou un incendie ou une explosion provoquant des dommages à la propriété.

⚠ MISES EN GARDE

- ⚠ Ne stockez pas de bouteille de gaz propane liquide de rechange ou de bouteille de gaz propane liquide débranchée au-dessous ou à proximité de ce barbecue.
- ⚠ Un mauvais montage peut se révéler dangereux. Veuillez suivre les instructions de montage avec soin.
- ⚠ Après une période de stockage et/ou d'inutilisation, le barbecue à gaz Weber® devrait faire l'objet d'une vérification visant à détecter toute fuite et toute obstruction des brûleurs avant toute utilisation. Voir les instructions de ce manuel pour les procédures correctes.
- ⚠ N'utilisez pas le barbecue à gaz Weber® en cas de fuite.
- ⚠ N'utilisez pas de flamme pour détecter les fuites de gaz.
- ⚠ Aucune matière inflammable ne devrait jamais se trouver dans un rayon de 24 pouces par rapport à l'arrière ou aux côtés de votre barbecue à gaz Weber®.
- ⚠ Ne placez pas de bâche de protection de barbecue ni aucune matière inflammable sur la barbecue ou dans la zone de stockage au-dessous du barbecue.
- ⚠ Votre barbecue à gaz Weber® ne devrait jamais être utilisé par des enfants. Les pièces accessibles du barbecue peuvent atteindre une température très élevée. Maintenez les jeunes enfants à l'écart pendant son utilisation.
- ⚠ Vous devriez faire preuve d'une prudence raisonnable lorsque vous utilisez votre barbecue à gaz Weber®. Celui-ci sera très chaud pendant la cuisson ou le nettoyage et ne devrait jamais être laissé sans surveillance ni déplacé pendant son utilisation.
- ⚠ Si les brûleurs s'éteignent pendant l'utilisation, fermez toutes les valves de gaz. Ouvrez le couvercle puis patientez cinq minutes avant d'essayer de rallumer les brûleurs, en utilisant les instructions pour l'allumage.
- ⚠ N'utilisez pas de charbon de bois ni de pierres de lave dans votre barbecue à gaz Weber®.
- ⚠ Ne vous penchez jamais au-dessus du grill ouvert ou ne placez jamais les mains ou les doigts sur l'extrémité avant du boîtier de cuisson.
- ⚠ Si un feu de graisse se produisait, fermez tous les brûleurs et laissez le couvercle fermé jusqu'à ce que le feu s'éteigne.
- ⚠ N'élargissez pas les orifices des valves ou les ports des brûleurs lorsque vous nettoyez les valves ou les brûleurs.
- ⚠ Le barbecue à gaz Weber® devrait être nettoyé méticuleusement de façon régulière.
- ⚠ Le gaz propane liquide n'est pas du gaz naturel. La conversion ou la tentative d'utilisation de gaz naturel dans un appareil à propane liquide ou de gaz propane liquide dans un appareil à gaz naturel est dangereuse et annulera votre garantie.

- ⚠ Ne tentez pas de déconnecter un raccord de gaz pendant que votre barbecue est en fonctionnement.
- ⚠ Utilisez des gants pour barbecue résistants à la chaleur lorsque vous utilisez le barbecue.
- ⚠ Maintenez tout cordon électrique d'alimentation ainsi que le tuyau d'alimentation en combustible à l'écart de toute surface chauffée.
- ⚠ Les dérivés de combustion générés lors de l'utilisation de ce produit contiennent des agents chimiques reconnus par l'Etat de Californie comme provoquant des cancers, des anomalies congénitales ou d'autres troubles de la reproduction.
- ⚠ N'utilisez ce barbecue que si toutes les pièces sont en place. Cet appareil doit être correctement assemblé conformément aux instructions de montage.
- ⚠ N'intégrez pas ce modèle de grill à n'importe quelle construction encastrée ou à glissière. Le non respect de cet Avertissement risque de provoquer un incendie ou une explosion susceptible de provoquer des dégâts matériels ainsi que des blessures graves voire un décès.
- ⚠ Proposition 65 Mise en garde : La manipulation du matériau en cuivre contenu dans ce produit vous expose au plomb, agent chimique reconnu par l'état de Californie comme étant à l'origine de cancers, d'anomalies congénitales ou d'autres troubles de la reproduction.
(Lavez-vous les mains après avoir manipulé ce produit.) ♦

APPAREILS A GAZ PROPANE UNIQUEMENT:

- ⚠ Utilisez l'ensemble régulateur de pression et tuyau fourni avec votre barbecue à gaz Weber®.
- ⚠ Ne tentez pas de déconnecter l'ensemble régulateur et tuyau de gaz ni tout autre raccord de gaz pendant que vous utilisez votre barbecue.
- ⚠ L'utilisation d'une bouteille de gaz propane liquide comportant une bosse ou d'une bouteille rouillée peut être dangereuse et une telle bouteille devrait être vérifiée par votre fournisseur de propane. N'utilisez pas une bouteille de propane liquide dont la valve est détériorée.
- ⚠ Bien que votre bouteille de propane liquide puisse sembler vide, il est possible qu'elle contienne encore du gaz, et la bouteille devrait être transportée et stockée en conséquence.
- ⚠ Si vous voyez, sentez ou entendez du gaz s'échapper de la bouteille de propane liquide:
 1. Eloignez-vous de la bouteille de propane liquide.
 2. Ne tentez pas de corriger le problème vous-même.
 3. Appelez votre service incendie. ♦

VUE ECLATEE.....	4
LISTE DE LA VUE ECLATEE	5
MISES EN GARDE	44
TABLE DES MATIERES	45
GARANTIE	46
GENERALITES	47
INSTALLATION AU CANADA	47
UTILISATION	47
STOCKAGE ET/OU INUTILISATION	47
INSTRUCTIONS RELATIVES AU GAZ	48
ASTUCES POUR UNE MANIPULATION SANS DANGER DES BOUEILLES DE GAZ PROPANE LIQUIDE	48
INFORMATIONS IMPORTANTES RELATIVES A LA BOUEILLE DE PL.	49
PREPARATION DE LA DETECTION DES FUITES	49
DETECTION DES FUITES DE GAZ	51
RECHARGEMENT DE LA BOUEILLE DE PROPANE LIQUIDE	52
AVANT D'UTILISER LE GRILL	53
NIVEAU DE COMBUSTIBLE	53
PLATEAU-EGOUTTOIR AMOVIBLE ET EGOUTTOIR JETABLE	53
INSPECTION DE L'ALLUMEUR ELECTRONIQUE	53
INSPECTION DU TUYAU	53
ALLUMAGE & UTILISATION DU BRULEUR PRINCIPAL	54
ALLUMAGE DU BRULEUR PRINCIPAL	54
POUR ETEINDRE	54
ALLUMAGE MANUEL DU BRULEUR PRINCIPAL	55
POUR ETEINDRE	55
CONSEILS & ASTUCES POUR LA GRILLADE	56
PRÉCHAUFFAGE	56
CUISSON COUVERTE	56
ECOULEMENTS DE JUS ET DE GRAISSES	56
SYSTÈME FLAVORIZER®	56
DEPANNAGE	57
MAINTENANCE	58
NETTOYAGE	58
GRILLES ANTI-ARAIGNEES/INSECTES WEBER®	58
NETTOYAGE OU REMPLACEMENT DES TUBES DU BRULEUR	59
UTILISATION DU SYSTEME D'ALLUMAGE ELECTRONIQUE	61
MAINTENANCE ANNUELLE	62

GARANTIE

Merci d'avoir acheté un produit Weber®. Weber-Stephen Products LLC, 200 East Daniels Road, Palatine, Illinois 60067-6266 ("Weber") sont fiers d'offrir un produit sécuritaire, durable et fiable.

Celle-ci est la garantie volontaire de Weber qui vous est fournie sans frais supplémentaires. Elle contient les informations que vous aurez besoin d'avoir pour faire réparer le produit WEBER® dans le cas improbable d'une panne ou de défaillance.

Conformément aux lois applicables, le client dispose de plusieurs droits au cas où le produit serait défectueux. Ces droits comprennent le rendement supplémentaire ou le remplacement, la réduction du prix d'achat et une rémunération. Dans l'Union européenne, par exemple, ce serait une garantie légale de deux ans à compter de la date de la remise du produit. Ces droits légaux et d'autres ne sont pas affectés par cette disposition de la garantie. En fait, cette garantie accorde des droits supplémentaires au propriétaire qui sont indépendants des dispositions légales de la garantie.

GARANTIE LÉGALE DE WEBER

Weber fournit à l'acheteur original du produit WEBER® [ou dans le cas d'un cadeau ou d'une situation promotionnel, la personne pour laquelle il a été acheté comme cadeau ou article promotionnel], que le produit WEBER® est exempt de défauts de matériaux et de fabrication pour la ou les périodes de temps spécifiées ci-dessous lorsqu'il est assemblé et utilisé conformément au Guide du propriétaire qui l'accompagne. (Remarque : Si vous perdez ou égarez votre Guide du propriétaire WEBER®, un remplacement est disponible en ligne à www.weber.com ou le site spécifique au pays auquel le propriétaire peut être redirigé.) Lorsque l'appareil est utilisé et entretenu de façon normale dans une maison privée unifamiliale ou un appartement, Weber s'engage à réparer ou remplacer les pièces défectueuses dans les délais, limitations et exclusions applicables énumérées ci-dessous. SELON CE QUI EST PERMIS PAR LA LOI APPLICABLE, CETTE GARANTIE S'APPLIQUE UNIQUEMENT À L'ACHETEUR ORIGINAL ET N'EST PAS TRANSFÉRABLE À DES PROPRIÉTAIRES ULTÉRIEURS, SAUF DANS LE CAS DE CADEAUX ET D'ARTICLES PROMOTIONNELS COMME INDIQUÉ PLUS HAUT.

RESPONSABILITÉS DU PROPRIÉTAIRE EN VERTU DE CETTE GARANTIE

Pour assurer une couverture de garantie sans problème, il est important (mais il n'est pas nécessaire) que vous enregistrez votre produit WEBER® en ligne à www.weber.com ou au site spécifique au pays auquel le propriétaire peut être redirigé. S'il vous plaît, conservez également votre bon d'achat et/ou la facture original. L'enregistrement de votre produit WEBER® confirme la couverture de votre garantie et fournit un lien direct entre vous et Weber au cas où nous devrions vous contacter.

La garantie ci-dessus ne s'applique que si le propriétaire prend soin du produit WEBER® en suivant les instructions d'assemblage, d'utilisation et d'entretien préventif, comme indiqué dans le Guide du propriétaire qui l'accompagne, à moins que le propriétaire puisse prouver que le défaut ou la défaillance est indépendante du non-respect des obligations mentionnées ci-dessus. Si vous habitez dans une zone côtière, où que votre produit est situé près d'une piscine, l'entretien régulier comprend le lavage et le rinçage des surfaces extérieures comme indiqué dans le Guide du propriétaire l'accompagnant.

MANIPULATION SOUS GARANTIE / EXCLUSION DE GARANTIE

Si vous croyez que vous avez une pièce qui est couverte par cette garantie, s'il vous plaît contacter le Service à la clientèle de Weber en utilisant les informations de contact sur notre site web (www.weber.com ou sur le site spécifique au pays auquel le propriétaire peut être redirigé). Weber, après enquête, réparera ou remplacera (à sa discrétion) la pièce défectueuse couverte par cette garantie. Dans le cas où la réparation ou le remplacement ne sont pas possibles, Weber peut choisir (à sa discrétion) de remplacer le barbecue en question par un nouveau barbecue de valeur égale ou supérieure. Weber peut vous demander de retourner les pièces pour l'inspection, frais d'expédition payés d'avance.

Cette GARANTIE devient caduque si il y a des dommages, détériorations, décolorations, et/ou de la rouille pour laquelle Weber n'est pas responsable causée par :

- L'abus, le mauvais usage, la modification, la mauvaise application, le vandalisme, la négligence, le montage ou l'installation incorrecte, et la négligence d'effectuer correctement l'entretien normal/routinier;
- Les insectes (comme les araignées) et les rongeurs (comme les écureuils), y compris mais non limité aux dommages causés aux tubes du brûleur et/ou aux canalisations de gaz ;
- L'exposition à l'air salin et/ou aux sources de chlore telles que les piscines et les cuves thermales/Spas ;
- Conditions météorologiques extrêmes comme la grêle, les ouragans, les tremblements de terre, les tsunamis ou les marées de tempête, les tornades et les tempêtes sévères.

L'utilisation et/ou l'installation de pièces sur votre produit WEBER® qui ne sont pas des pièces d'origine Weber annulera cette garantie, et les dommages qui en résultent ne sont pas couverts par cette garantie. Toute conversion d'un barbecue à gaz qui n'est ni autorisée par Weber et ni effectuée par un technicien agréé Weber annulera cette garantie.

PÉRIODES DE GARANTIE DU PRODUIT

Cuve de cuisson :
10 ans, contre la perforation par rouille/brûlage
(2 ans pour la peinture sauf dégradation ou décoloration)

Assemblage du couvercle :
10 ans contre la perforation par rouille/brûlage

Tubes de brûleur en acier inox :
10 ans contre la perforation par rouille/brûlage

Grilles de cuisson en acier inoxydable :
5 ans contre la perforation par rouille/brûlage

Barres Flavorizer® en acier inoxydable :
5 ans contre la perforation par rouille/brûlage

Grilles de cuisson en fonte émaillée :
5 ans contre la perforation par rouille/brûlage

Toutes les autres pièces :
2 ans

EXCLUSIONS

EN DEHORS DE LA GARANTIE ET DES EXCLUSIONS COMME DÉCRIT DANS CETTE DÉCLARATION DE GARANTIE, IL N'Y A AUCUNE AUTRE GARANTIE EXPLICITE OU DÉCLARATION VOLONTAIRE DE RESPONSABILITÉ DONNÉE ICI QUI DÉPASSENT LA RESPONSABILITÉ LÉGALE APPLICABLE À WEBER. AUSSI, CETTE DÉCLARATION DE GARANTIE NE LIMITE PAS OU N'EXCLUE PAS LES SITUATIONS OU RÉCLAMATIONS POUR LESQUELLES WEBER A UN RESPONSABILITÉ IMPÉRATIVE PRESCRITE PAR LA LOI.

AUCUNE GARANTIE NE S'APPLIQUE APRÈS LES PÉRIODES APPLICABLES DE LA PRÉSENTE GARANTIE. AUCUNES AUTRES GARANTIES ACCORDÉES PAR TOUTES PERSONNES OU ENTITÉS, Y COMPRIS UN CONCESSIONNAIRE OU DÉTAILLANT CONCERNANT LES PRODUITS (COMME TOUTES « GARANTIES PROLONGÉES »), NE LIENT WEBER. LE SEUL RECOURS DE CETTE GARANTIE EST LA RÉPARATION OU LE REMPLACEMENT DE LA PIÈCE OU DU PRODUIT.

EN AUCUN CAS LA RECOUVREMENT DE QUELQUE NATURE QUE CE SOIT NE SERA PLUS GRAND QUE LE MONTANT DU PRIX D'ACHAT DU PRODUIT QUE WEBER VOUS A VENDU.

VOUS ASSUMEZ LES RISQUES ET RESPONSABILITÉS POUR LA PERTE, LES DOMMAGES OU LES BLESSURES À VOUS ET VOTRE PROPRIÉTÉ ET/OU AUX AUTRES ET À LEURS BIENS DU FAIT DE L'UTILISATION INCORRECTE OU ABUSIF DU PRODUIT OU LA NÉGLIGENCE DE SUIVRE LES INSTRUCTIONS FOURNIES PAR WEBER DANS LE GUIDE DU PROPRIÉTAIRE L'ACCOMPAGNANT.

LES PIÈCES ET ACCESSOIRES REMPLACÉS SOUS CETTE GARANTIE SONT GARANTIS POUR LA BALANCE DE LA OU DES PÉRIODES DE GARANTIES INITIALES.

CETTE GARANTIE S'APPLIQUE À L'UTILISATION DANS UNE MAISON PRIVÉE OU EN APPARTEMENT SEULEMENT ET NE COUVRE PAS LES BARBECUES WEBER DANS LES ÉTABLISSEMENTS COMMERCIAUX, COMMUNAUTAIRES OU EMBLEMES MULTIPLES TELS QUE LES RESTAURANTS, LES HÔTELS, CLUBS OU IMMEUBLES LOCATIFS.

WEBER PEUT DE TEMPS EN TEMPS MODIFIER LA CONCEPTION DE SES PRODUITS. RIEN DANS CE GARANTIE NE SERA INTERPRÉTÉ COMME UNE OBLIGATION POUR WEBER D'INTÉGRER LES MODIFICATIONS DE CONCEPTIONS AUX PRODUITS FABRIQUÉS ANTÉRIEUREMENT, ET AUCUNE DE CES MODIFICATIONS NE SERA CONSIDÉRÉE COMME UNE ADMISSION QUE LES CONCEPTIONS PRÉCÉDENTES ÉTAIENT DÉFECTUEUSES.

WEBER-STEPHEN PRODUCTS LLC

Centre de service clientèle
2900 Golf Road
Rolling Meadows, IL 60008
U.S.A.

Pour des pièces de rechange, appelez le :
1-800-446-1071

Ce barbecue à gaz Weber® est portable de sorte que vous puissiez facilement changer son emplacement dans votre cour ou dans votre patio. La transportabilité signifie que vous pouvez emmener votre barbecue à gaz Weber® avec vous lors de vos déplacements.

L'arrivée de gaz Propane liquide (PL) est facile à utiliser et vous donne davantage de contrôle sur la cuisson que si vous utilisiez du charbon de bois.

- Les présentes instructions vous fourniront les exigences minimales pour le montage de votre barbecue à gaz Weber®. Veuillez lire les consignes avec attention avant d'utiliser votre barbecue à gaz Weber®. Un montage incorrect peut se révéler dangereux.
- Ne convient pas à une utilisation par des enfants.
- S'il existe des codes régionaux s'appliquant aux grills à gaz portatifs, vous devrez les respecter. L'installation doit être conforme aux codes régionaux ou, en l'absence de tels codes, avec le Code national relatif aux gaz combustibles, ANSI Z223.1/NFPA 54, le Code relatif aux installations de gaz naturel et de gaz propane, CSA B149.1, ou le Code relatif au stockage et à la manipulation du propane, B149.2, ou à la Norme relative aux véhicules de loisirs, ANSI A 119.2/NFPA 1192, et les Séries CSA Z240 RV, Code relatif aux véhicules de loisirs, le cas échéant.
- Vous devez utiliser le régulateur de pression fourni avec le barbecue à gaz Weber®. Ce régulateur est paramétré pour une colonne d'eau de 11 pouces (pression).
- Ce barbecue à gaz Weber® est conçu pour une utilisation avec du gaz propane liquide (PL) uniquement. Ne l'utilisez pas avec du gaz naturel (gaz de ville). Les valves, les orifices, le tuyau et le régulateur sont adaptés au gaz PL uniquement.
- N'utilisez pas ce barbecue avec du charbon de bois.
- Vérifiez que la zone située au-dessous du panneau de commande et que le bac de récupération des graisses amovible ne comportent aucun débris susceptible de faire obstacle à la circulation de l'air nécessaire à la combustion ou à la ventilation.
- Les zones à proximité de la bouteille de PL doivent être dégagées et ne doivent comporter aucun débris.
- Les régulateurs de pression et les ensembles de tuyaux de rechange doivent être ceux spécifiés par Weber-Stephen Products LLC. ♦

INSTALLATION AU CANADA

Les présentes instructions, bien que généralement acceptables, ne sont pas nécessairement conformes aux Codes d'installation du Canada, en particulier en ce qui concerne les canalisations au-dessus du sol et les canalisations souterraines. Au Canada, l'installation de cet appareil doit être conforme aux codes locaux et/ou à la dernière édition de la Norme CAN/CSA-B149.2 (Code relatif au stockage et à la manipulation du propane). ♦

UTILISATION

- ⚠ **MISE EN GARDE : Utilisez ce barbecue uniquement en extérieur dans une zone bien ventilée. Ne l'utilisez pas dans un garage, un bâtiment, un passage couvert ou toute autre zone confinée.**
- ⚠ **MISE EN GARDE : Maintenez les ouvertures de ventilation de l'enclos de la bouteille de gaz dégagées et libre de tout débris.**
- ⚠ **MISE EN GARDE : Vous ne devez pas utiliser votre barbecue à gaz Weber® au-dessous d'une structure inflammable.**
- ⚠ **MISE EN GARDE : Votre barbecue à gaz Weber® n'est pas conçu pour être installé à l'intérieur ou au-dessus de véhicules de loisirs et/ou de bateaux.**
- ⚠ **MISE EN GARDE : N'utilisez pas le barbecue dans un rayon de 24 pouces de toute matière inflammable.**
- ⚠ **MISE EN GARDE : La totalité du boîtier de cuisson atteint une température élevée pendant la cuisson. Ne laissez pas le grill sans surveillance.**
- ⚠ **MISE EN GARDE : Maintenez tout cordon d'alimentation électrique ainsi que le tuyau d'alimentation en combustible à l'écart de toute surface chauffée.**
- ⚠ **MISE EN GARDE : Maintenez la zone de cuisson dégagée de toute vapeur ou de tout liquide inflammable comme de l'essence, de l'alcool, etc., et de toute matière inflammable.**
- ⚠ **MISE EN GARDE : Ne stockez jamais une bouteille de PL supplémentaire (de rechange) au-dessous ou à proximité du barbecue à gaz Weber®.**
- ⚠ **MISE EN GARDE : La bouteille de PL utilisée avec votre barbecue doit être équipée d'un dispositif de prévention du surremplissage homologué OPD (Overfilling Prevention Device) et d'un raccord QCC1 ou de Type 1 (CGA810). Le raccord de la bouteille de gaz doit être compatible avec le raccord du barbecue. ♦**

STOCKAGE ET/OU INUTILISATION

- Le gaz doit être fermé au niveau de la bouteille de propane liquide lorsque vous n'utilisez pas le barbecue à gaz Weber®.
- Lorsque le barbecue à gaz Weber® est stocké en extérieur, l'arrivée de gaz doit être DECONNECTEE et la bouteille de gaz PL stockée en extérieur dans une zone bien ventilée.
- La bouteille de PL doit être stockée en extérieur dans une zone bien ventilée hors de portée des enfants. La bouteille de PL débranchée ne doit pas être stockée dans un bâtiment, dans un garage ni dans toute autre zone confinée.
- Lorsque la bouteille de PL n'est pas débranchée du barbecue à gaz Weber®, l'appareil et la bouteille de PL doivent être stockés en extérieur dans un espace bien ventilé.
- Le barbecue à gaz Weber® devrait faire l'objet d'une inspection visant à détecter toute fuite ainsi que tout obstacle présent dans les tubes du brûleur avant toute utilisation (Voir "MAINTENANCE/MAINTENANCE ANNUELLE").
- Vérifiez que les zones situées sous le panneau de commande et le plateau inférieur amovible ne comportent pas de résidus susceptibles de faire obstacle à la circulation de l'air de combustion ou de ventilation.
- Les Grilles anti araignées/insectes devraient aussi faire l'objet d'un contrôle afin de détecter toute obstruction (Voir "MAINTENANCE/MAINTENANCE ANNUELLE"). ♦

INSTRUCTIONS RELATIVES AU GAZ

ASTUCES POUR UNE MANIPULATION SANS DANGER DES BOUTEILLES DE GAZ PROPANE LIQUIDE

- Le gaz propane liquide (PL) est un produit dérivé du pétrole comme le sont l'essence et le gaz naturel. Le gaz PL est gazeux à des températures et à des pressions ordinaires. Soumis à une pression modérée, à l'intérieur d'une bouteille de gaz, le gaz PL est liquide. Au fur et à mesure que la pression diminue, le liquide vaporise rapidement et devient gazeux.
- L'odeur du gaz PL ressemble à celle du gaz naturel. Vous devriez avoir conscience de cette odeur.
- Le gaz PL est plus lourd que l'air. Du gaz PL s'échappant d'une fuite peut s'accumuler dans des espaces proches du sol, ce qui empêcherait sa dispersion.
- Pour remplir la bouteille de PL, emmenez-la chez un revendeur de gaz propane, ou cherchez à "gaz propane" dans l'annuaire pour d'autres sources de gaz PL.

⚠ MISE EN GARDE : Nous vous recommandons de faire remplir votre bouteille de PL auprès d'un revendeur de gaz PL agréé, par du personnel qualifié, qui remplit la bouteille au poids. UN REMPLISSAGE INCORRECT EST DANGEREUX.

- L'air doit être extrait d'une bouteille de PL neuve avant que celle-ci soit remplie pour la première fois. Votre revendeur de PL est équipé pour effectuer cette opération.
- La bouteille de PL doit être installée, transportée, et stockée en position verticale. Les bouteilles de PL ne devraient pas être lâchées ou manipulées brutalement.
- Ne stockez ou ne transportez jamais la bouteille de PL dans des endroits où la température peut atteindre 125° F (trop chaud pour tenir à la main). Par exemple : ne laissez pas la bouteille de PL à l'intérieur d'une voiture par une journée chaude.

Remarque : Une recharge va durer environ 18–20 heures de temps de cuisson dans des conditions d'utilisation normales. Le niveau de combustible, fonctionnalité disponible sur certains de nos grills, indiquera le niveau de propane de sorte que vous puissiez recharger la bouteille avant de manquer de combustible. La bouteille n'a pas besoin d'être vide pour être rechargée.

- Manipulez les bouteilles de PL "vides" avec le même soin que lorsqu'elles sont pleines. Même lorsque la bouteille de PL ne contient plus de liquide, il peut toujours y avoir du gaz sous pression à l'intérieur. Fermez toujours la valve de la bouteille avant de la déconnecter.

⚠ ATTENTION : Placez le cache anti-poussière sur la sortie de la valve de la bouteille de gaz chaque fois que celle-ci est inutilisée. N'installez que le type de cache anti-poussière fourni avec la valve de la bouteille de gaz. L'utilisation d'autres types de caches ou de bouchons pourrait entraîner une fuite de propane.

- N'utilisez pas de bouteille de PL détériorée. Une bouteille de PL comportant un renforcement ou rouillée ou une bouteille de PL dont la valve est détériorée peut être dangereuse et devrait immédiatement être remplacée par une bouteille neuve.
- Le raccord où le tuyau est relié à la bouteille de gaz PL doit faire l'objet d'un contrôle de détection des fuites à chaque fois que la bouteille de PL est rebranchée. Par exemple, détectez les fuites à chaque fois que la bouteille de PL est rechargée.
- Assurez-vous que le régulateur est monté avec le petit trou d'aération orienté vers le bas de sorte qu'il ne reçoive pas d'eau. Cette aération devrait être dégagée des impuretés, de la graisse, des insectes, etc.
- Les raccords de gaz fournis avec votre barbecue à gaz Weber® ont été conçus et testés pour être conformés à 100% des exigences du CSA et de l'ANSI.

⚠ MISE EN GARDE : Les bouteilles de PL de recharge doivent s'adapter au raccord du régulateur fourni avec ce barbecue.

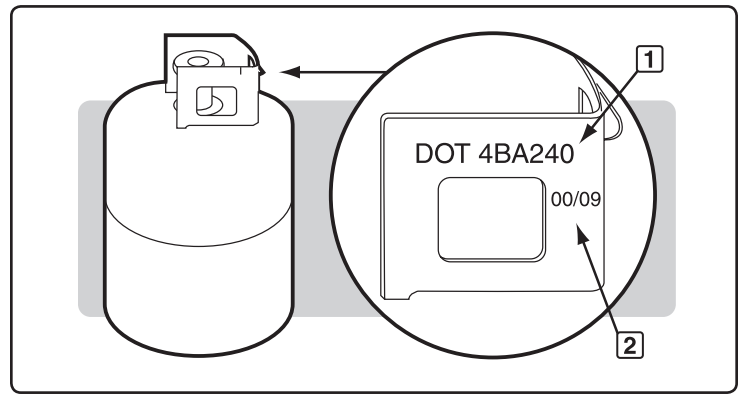
Exigences Relatives à la Bouteille de Propane Liquide

- Assurez-vous que les bouteilles de gaz sont certifiées D.O.T. (1), et que leur date vérifiée (2) est dans les cinq ans. Votre fournisseur de gaz PL peut faire cela pour vous.
- Tous les dispositifs de rechargement de bouteilles de PL doivent inclure une collerette pour protéger la valve de la bouteille de gaz.
- La bouteille de PL doit avoir une taille de 20 lb. environ (18¼ pouces de haut et 12¼ pouces de diamètre).
- La bonbonne doit être fabriquée et marquée conformément aux Spécifications s'appliquant aux bonbonnes de gaz – propane liquide du ministère américain des Transports (D.O.T.) ou à la norme nationale du Canada, CAN/CSA-B339, sur les bonbonnes, sphères et tuyaux ou sur le transport des marchandises dangereuses; et commission, si applicable.

Exigences Canadiennes en Ce Qui Concerne les Bouteilles de Propane Liquide

Remarque : Votre détaillant peut vous aider à trouver une bouteille de gaz de recharge adaptée à votre barbecue.

- La bouteille de PL doit être fabriquée et marquée conformément aux spécifications relatives aux bouteilles de gaz PL, T.C. ♦



INSTRUCTIONS RELATIVES AU GAZ

INFORMATIONS IMPORTANTES RELATIVES A LA BOUTEILLE DE PL

⚠ DANGER

Ne stockez JAMAIS une bouteille de PL de recharge au-dessous ou à proximité de ce barbecue. Ne remplissez JAMAIS la bouteille à plus de 80%. Le non respect strict des consignes de sécurité intitulées DANGER pourrait entraîner un incendie provoquant la mort ou une blessure grave.

Votre grill à gaz Weber® est équipé pour être raccordé à un dispositif d'alimentation de bouteille de gaz conçu pour éliminer les émanations.

⚠ MISE EN GARDE : N'utilisez ce grill qu'en extérieur dans une zone bien ventilée. Ne l'utilisez pas dans un garage, dans un passage couvert ni dans toute autre zone confinée.

Les méthodes de remplissage correctes pour le rechargement de votre bouteille de gaz sont le remplissage au poids ou au volume, tel que décrit par la norme NFPA 58. Veuillez vous assurer que votre station de remplissage remplit votre bouteille de PL au poids ou au volume. Demandez au personnel de votre station de remplissage de lire les consignes de purge et de remplissage figurant sur la bouteille de PL avant de tenter de la remplir. ♦

PREPARATION DE LA DETECTION DES FUITES

Vérifiez que Toutes les Valves des Brûleurs Sont Fermées

Les valves sont expédiées en position fermée (ARRÊTÉ), mais vous devriez les vérifier pour vous assurer qu'elles sont fermées. Vérifiez en les enfonçant et en les tournant dans le sens des aiguilles d'une montre. Si elles ne tournent pas, elles sont fermées. Si elles tournent, continuez à les tourner jusqu'à ce qu'elles ne tournent plus; elles sont maintenant fermées.

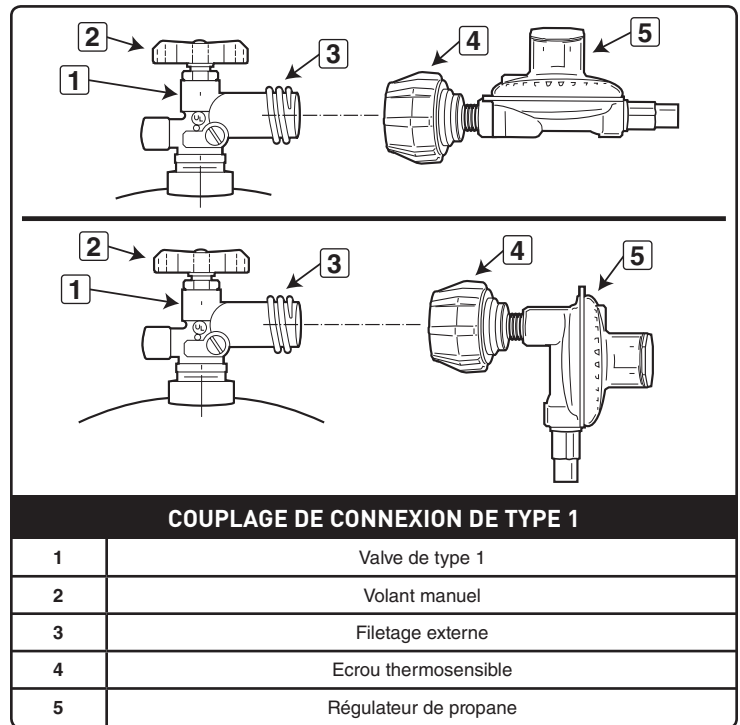
Utilisez la Pince de Rétention du Tuyau de la Bouteille de Propane Liquide

La totalité des régulateurs de grills à gaz Weber® est équipée d'une connexion de bouteille homologuée UL conformément à la dernière édition de l'ANSI Z21.58. Ceci va nécessiter une bouteille de propane liquide qui est équipée de la même manière avec une connexion de Type 1 dans la valve de la bouteille de gaz. Ce couplage de Type 1 vous permet de réaliser un accrochage rapide et sans aucun danger entre votre grill à gaz et votre bouteille de propane liquide. Cela élimine le risque de fuite due à un raccord POL qui n'est pas correctement serré. Le gaz ne va pas sortir de la bouteille tant que le couplage de Type 1 ne sera pas complètement engagé à l'intérieur du couplage.

⚠ MISE EN GARDE : Assurez-vous que la valve de la bouteille de PL est fermée. Fermez-la en tournant la valve dans le sens des aiguilles d'une montre.

⚠ DANGER

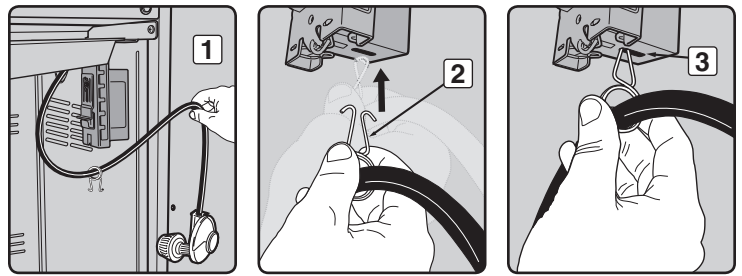
N'utilisez pas de flamme nue pour détecter les fuites de gaz. Assurez-vous qu'il n'y a aucune étincelle ou flamme nue dans la zone lorsque vous détectez les fuites. Des étincelles ou des flammes vont provoquer un incendie ou une explosion qui peuvent entraîner une blessure grave voire un décès ainsi que des dégâts matériels.



INSTRUCTIONS RELATIVES AU GAZ

- A) Ouvrez les portes du meuble qui sert de base. Avancez le régulateur et le tuyau et sortez-les du meuble (1).
- B) Localisez la pince de rétention du tuyau (2) sur le tuyau du régulateur. Fixez-la bien dans la fente (3) au-dessous de la graduation de la bouteille.

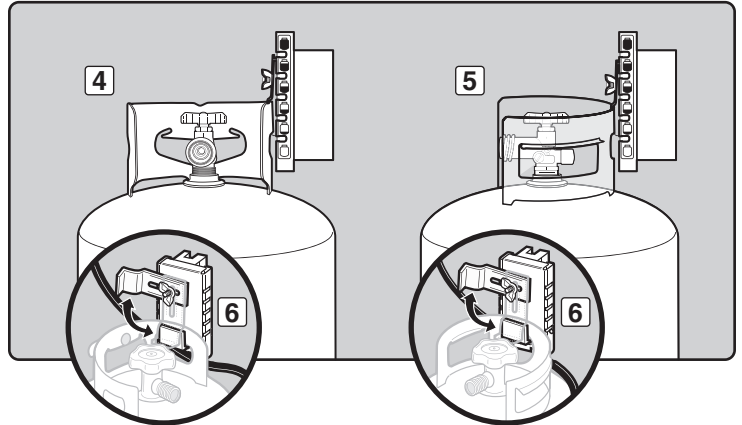
⚠ MISE EN GARDE : Le tuyau doit être bien fixé sur la bouteille de gaz à l'aide de la Pince de rétention du tuyau. Le non respect de cette consigne risquerait de détériorer le tuyau avec pour conséquence un incendie ou une explosion susceptible de provoquer des blessures graves voire un décès ainsi que des dégâts matériels.



Certaines bouteilles de PL ont des assemblages de colliers supérieurs différents. (Le collier supérieur est la bague de protection métallique autour de la valve.) Une série de bouteilles est montée avec la valve orientée vers l'avant (4). Les autres bouteilles se montent avec la valve orientée à l'opposé de la graduation de niveau de carburant (5). Weber recommande l'utilisation du fabricant de bouteilles Manchester and Worthington, avec une capacité en eau de 47,6 lbs. D'autres bouteilles peuvent être acceptables pour une utilisation avec l'appareil à condition d'être compatibles avec les moyens de rétention de l'appareil (voir les illustrations).

La bouteille de PL est installée à l'intérieur du meuble qui sert de base, sur le support de la bouteille (côté droit).

- C) Desserrez l'écrou à ailettes de verrouillage de la bouteille. Faites pivoter le verrouillage de la bouteille (6).
- D) Tournez la bouteille de PL de sorte que l'ouverture de la valve se trouve soit à l'avant soit sur le côté du barbecue à gaz Weber®.
- E) Soulevez la bouteille pour la mettre en position sur le support de la bouteille (7).
- F) Abaissez le verrou de la bouteille. Serrez l'écrou à ailettes.

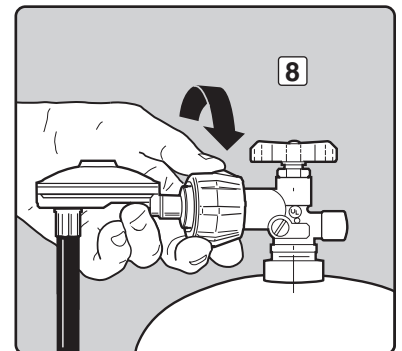
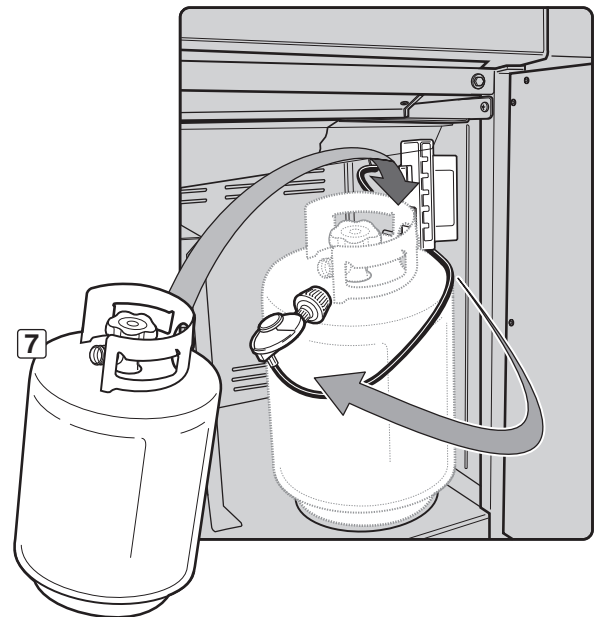


Connectez le Tuyau à la Bouteille

- A) Retirez la protection anti-poussière en plastique de la valve.
- B) Vissez le couplage du régulateur sur la valve de la bouteille, dans le sens des aiguilles d'une montre, ou vers la droite (8). Serrez à la main uniquement.

Remarque : Cette connexion se serre dans le sens des aiguilles d'une montre et elle ne permet pas au gaz de circuler tant que le raccord n'est pas serré. Cette connexion nécessite un serrage à la main uniquement.

⚠ MISE EN GARDE : N'utilisez pas de clé pour serrer le raccord. L'utilisation d'une clé risquerait de détériorer le couplage du régulateur et risquerait de provoquer une fuite.

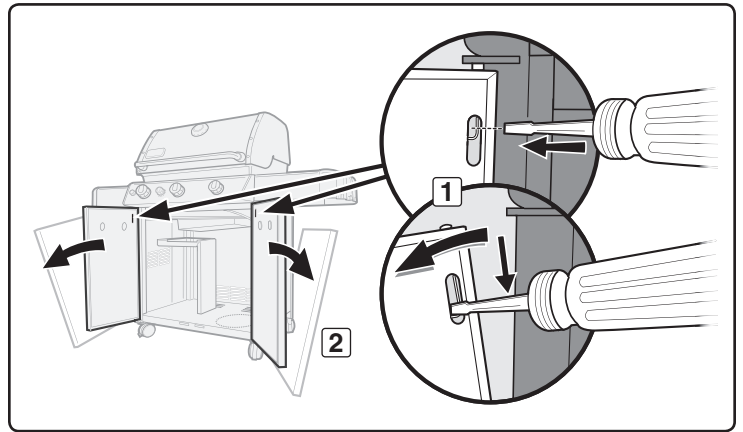


INSTRUCTIONS RELATIVES AU GAZ

Retirez les Boutons de Commande & le Panneau de Commande pour Détecter les Fuites

Il vous faudra : des tournevis cruciforme & à tête plate.

- Localisez le dégagement de l'épingle de la porte dans l'assemblage de la porte. A l'aide d'un tournevis, enfoncez le dégagement de l'épingle de la porte (1) jusqu'à ce que la porte se détache de l'assemblage du cadre. Retirez la partie supérieure de la porte de l'ensemble du cadre (2) et soulevez la porte pour la retirer de l'épingle d'hubrisse ajustable inférieure.
- Retirez les boutons de commande, le bouton de l'allumeur, l'écrou de rétention, et la pile (3).
- Retirez les vis du déflecteur de vent à l'aide d'un tournevis cruciforme (4).
- Inclinez l'extrémité du déflecteur de vent vers le bas et faites glisser le déflecteur de vent vers l'extérieur pour le retirer (5).
- Laissez le module d'allumage pendre depuis les fils. Ne le débranchez pas (6).
- Retirez les vis du dessous du panneau de commandes à l'aide d'un tournevis cruciforme (7).
- Soulevez légèrement le panneau de commandes, inclinez l'extrémité avant vers le haut et soulevez doucement (8).
- Remettez en place le panneau de commandes et le déflecteur de vent une fois la détection des fuites terminée. ♦



DETECTION DES FUITES DE GAZ

⚠ DANGER

N'utilisez pas de flamme nue pour effectuer la détection des fuites. Assurez-vous de l'absence de toute étincelle ou flamme nue dans la zone pendant que vous détectez les fuites. La présence d'étincelles ou de flammes nues provoquerait un incendie ou une explosion susceptible d'entraîner des blessures ou un décès ainsi que des dégâts matériels.

Remarque : La totalité des raccords effectués en usine fait l'objet d'une détection minutieuse des fuites. Les brûleurs ont été testés à la flamme. Par mesure de sécurité toutefois, vous devriez vérifier à nouveau la totalité des raccords afin de détecter toute fuite avant d'utiliser votre grill à gaz Weber®. L'expédition et la manipulation peuvent desserrer ou détériorer un raccord de gaz.

⚠ MISE EN GARDE : Les raccords de gaz de votre grill à gaz ont été testés à l'usine. Nous vous recommandons néanmoins de détecter les fuites pour tous les raccords de gaz avant d'utiliser votre grill à gaz.

⚠ MISE EN GARDE : Effectuez ces contrôles de détection des fuites même si votre barbecue a été assemblé par un revendeur ou en boutique.

Si votre grill est pourvu d'un brûleur latéral, assurez-vous que ce brûleur latéral est éteint.

Ouvrez l'arrivée de gaz à la source.

⚠ MISE EN GARDE : N'allumez pas les brûleurs lorsque vous détectez les fuites.

Il vous faudra : Une solution d'eau savonneuse et un chiffon ou une brosse pour l'appliquer.

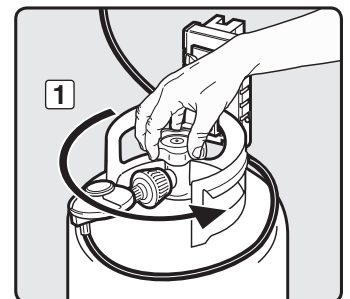
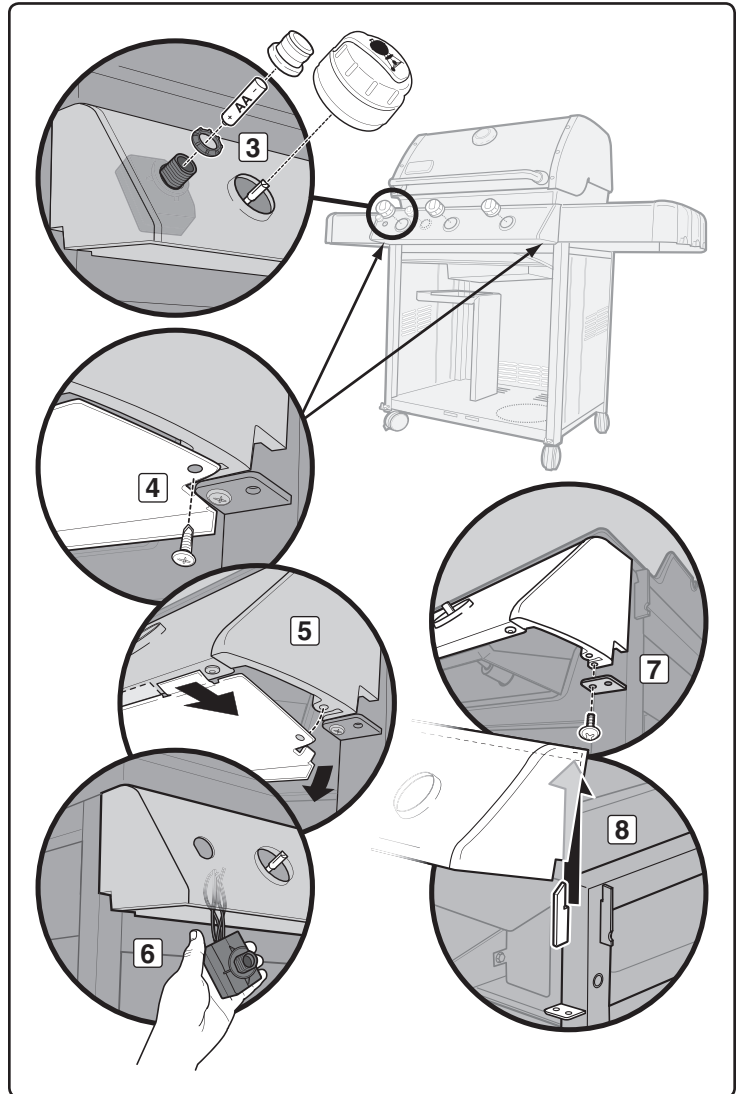
- Mélangez l'eau et le savon.
- Ouvrez l'arrivée de gaz (1).
- Détectez les fuites en humidifiant le raccord à l'aide de la solution d'eau savonneuse et en regardant si des bulles se forment. Si des bulles se forment, ou si une bulle grossit, il y a une fuite.

S'il y a une fuite, fermez le gaz et serrez le raccord. Ouvrez à nouveau le gaz et vérifiez à nouveau à l'aide de la solution d'eau savonneuse. Si la fuite continue, n'utilisez pas le barbecue. Contactez le représentant du Service client le plus proche à l'aide des coordonnées à votre disposition sur notre site Internet. Connectez-vous sur www.weber.com.

- Une fois la détection des fuites terminée, fermez l'arrivée de gaz à la source et rincez les raccords à l'eau.

Remarque : Dans la mesure où certaines solutions de détection des fuites, notamment l'eau savonneuse, peuvent s'avérer légèrement corrosives, la totalité des raccords devrait être rincée à l'eau après la détection des fuites.

⚠ MISE EN GARDE : Vous devriez détecter les fuites à chaque fois que vous déconnectez et reconnectez un raccord de gaz.



INSTRUCTIONS RELATIVES AU GAZ

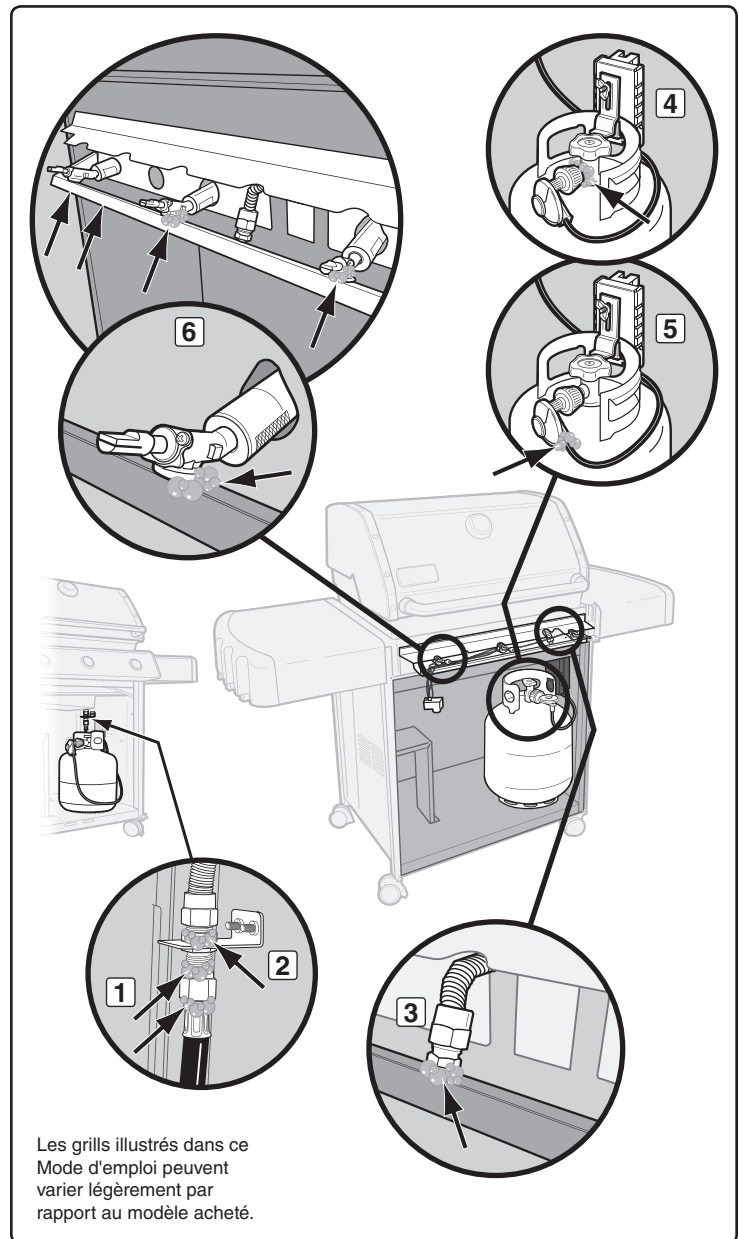
Vérifiez

- A) Raccord entre le tuyau du régulateur et la tête du brûleur (1).
- B) Raccord entre la conduite de gaz principale et la tête du brûleur (2).
- C) Raccords entre la conduite de gaz principale et le collecteur (3).
- ⚠ **MISE EN GARDE : En cas de fuite au niveau d'un raccord (1, 2, ou 3), resserrez le raccord à l'aide d'une clé puis détectez à nouveau les fuites à l'aide d'une solution d'eau savonneuse. En cas de persistance d'une fuite une fois que vous avez resserré le raccord, fermez le gaz (position OFF). N'UTILISEZ PAS LE GRILL. Contactez le représentant du Service clientèle de votre région à l'aide des coordonnées à votre disposition sur notre site Internet. Connectez-vous sur www.weber.com.**
- D) Connexion entre le tuyau du régulateur et la bouteille de gaz (4).
- E) Connexion entre le tuyau du régulateur et le régulateur (5).
- F) Connexions entre les valves et le collecteur (6).
- ⚠ **MISE EN GARDE : En cas de fuite au niveau des raccords (4, 5, ou 6), fermez le gaz (position OFF). N'UTILISEZ PAS LE GRILL. Contactez le représentant du Service clientèle de votre région à l'aide des coordonnées à votre disposition sur notre site Internet. Connectez-vous sur www.weber.com.**

Une fois les détections de fuites terminées, fermez l'arrivée de gaz (position OFF) à la source puis rincez les connexions à l'eau.

Réinstaller le Panneau de Commande

- Il vous faudra : un tournevis cruciforme.
- A) Positionnez l'extrémité supérieure du panneau de commande sur les languettes du châssis. Enfoncez-le en position.
- B) Réinstallez le module de l'allumeur.
- C) Faites glisser les deux languettes les plus courtes du déflecteur de vent vers l'extrémité interne du panneau de commande tandis que vous ferez glisser la languette la plus longue au-dessus de l'extrémité externe. Recherchez les illustrations précédentes pour avoir une référence.
- D) Alignez les vis avec les trous destinés à les recevoir sur le support du panneau de commande ainsi que sur le châssis.
- E) Serrez les vis.
- F) Placez les boutons de commande correspondants sur les tiges des valves. ♦



RECHARGEMENT DE LA BOUTEILLE DE PROPANE LIQUIDE

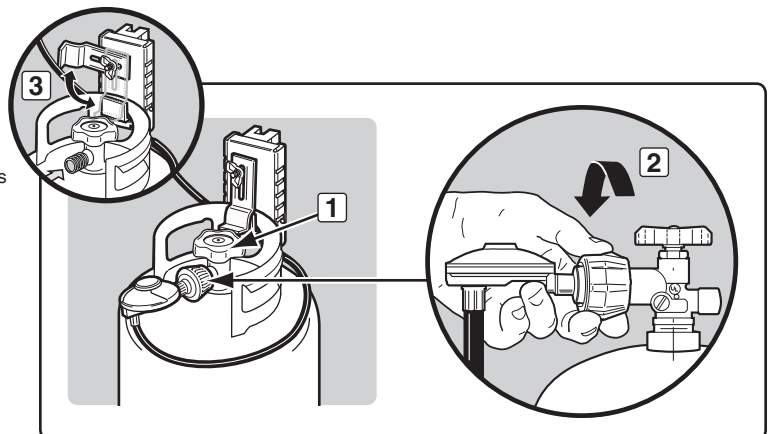
Nous vous recommandons de recharger la bouteille de PL avant que celle-ci ne soit complètement vide.

Retrait de la bouteille de PL :

- A) Fermez la valve de la bouteille de gaz (tournez dans le sens des aiguilles d'une montre) (1).
- B) Dévissez le couplage du régulateur en le tournant dans le sens inverse des aiguilles d'une montre, à la main uniquement (2).
- C) Desserrez l'écrou à oreilles verrouillant la bouteille de gaz et retirez le verrou de la bouteille de gaz (3).
- D) Soulevez la bouteille de gaz pour la sortir.

Pour recharger la bouteille de PL, emmenez-la chez un revendeur de propane, ou cherchez à "gaz propane" dans l'annuaire pour d'autres sources de gaz PL.

- ⚠ **MISE EN GARDE : Nous vous recommandons de faire remplir votre bouteille de PL auprès d'un revendeur de gaz agréé, par du personnel qualifié, qui remplit la bouteille au poids. UN MAUVAIS REMPLISSAGE EST DANGEREUX.**
- ⚠ **ATTENTION : Placez le cache anti-poussière sur la sortie de la valve de la bouteille de gaz chaque fois que la bouteille de gaz est inutilisée. N'utilisez que le type de cache anti-poussière fourni avec la valve de la bouteille de propane. L'utilisation d'autres types de caches ou de bouchons pourrait provoquer une fuite de propane. ♦**

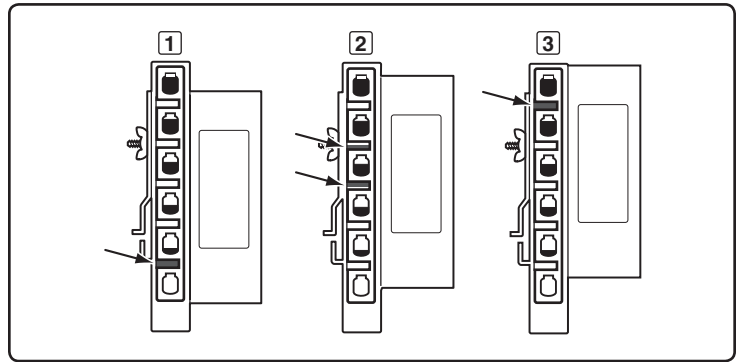


AVANT D'UTILISER LE GRILL

NIVEAU DE COMBUSTIBLE

Vérifiez le niveau de combustible en regardant la ligne de niveau d'indication colorée, située sur le côté de la graduation de la bouteille de gaz.

- A) Vide (1)
- B) Moyen (2)
- C) Plein (3) ♦

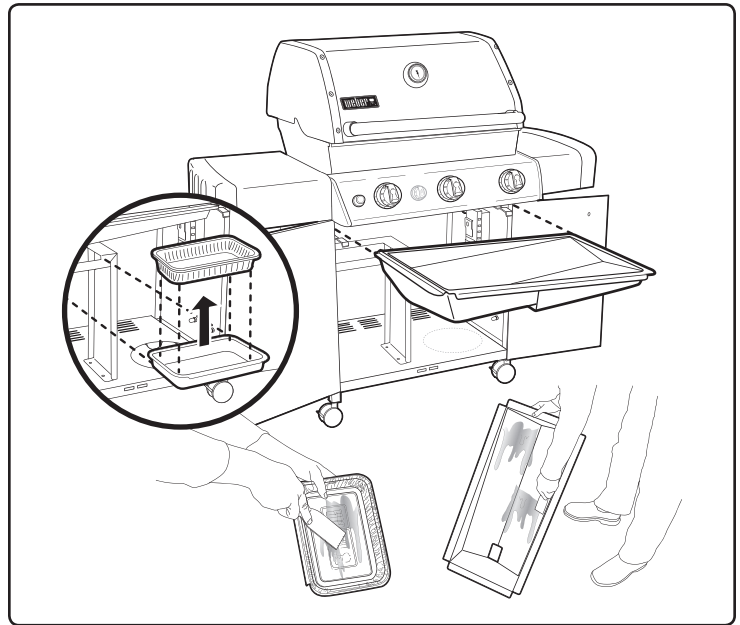


PLATEAU DE RECUPERATION DES GRAISSES AMOVIBLE ET EGOUTTOIR JETABLE

Votre grill a été fabriqué avec un dispositif de collecte des graisses intégré. Vérifiez le plateau de récupération des graisses amovible et l'égouttoir jetable afin de détecter la présence d'accumulations de graisses à chaque fois que vous utilisez votre grill.

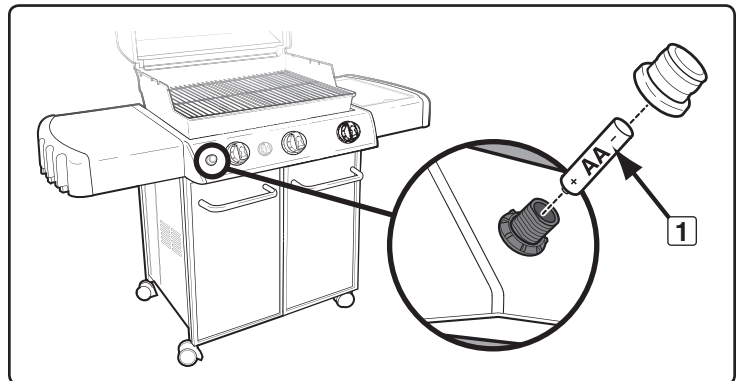
Retirez l'excès de graisse à l'aide d'une spatule en plastique ; voir l'illustration. Lorsque cela s'avère nécessaire, lavez le plateau de récupération des graisses amovible et l'égouttoir jetable à l'aide d'une solution d'eau savonneuse, puis rincez-les à l'eau claire. Remplacez l'égouttoir jetable lorsque son remplacement est nécessaire.

- ⚠ **MISE EN GARDE : Vérifiez si le plateau de récupération des graisses amovible et l'égouttoir jetable contiennent des accumulations de graisses avant chaque utilisation. Retirez les excès de graisse afin d'éviter un embrasement de ces graisses. Un embrasement des graisses risquerait de provoquer une blessure grave ou des dégâts matériels.**
- ⚠ **ATTENTION : Ne couvrez-pas le plateau de récupération des graisses amovible d'une feuille de papier aluminium.** ♦



INSPECTION DE L'ALLUMEUR ELECTRONIQUE

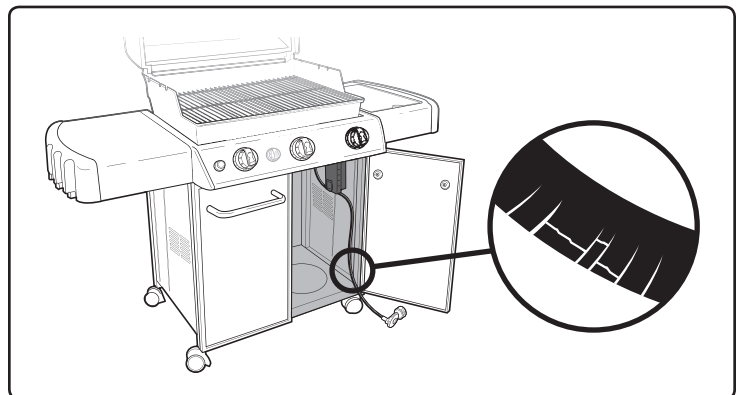
Vérifiez que votre pile AA (alcaline uniquement) est en bon état et qu'elle est correctement installée (1). Certaines piles sont emballées dans un plastique de protection. Ce plastique doit être retiré. Ne confondez pas ce plastique avec l'étiquette de la pile. ♦



INSPECTION DU TUYAU

Le tuyau devrait être inspecté afin de détecter tout signe de fissure.

- ⚠ **MISE EN GARDE : Vérifiez le tuyau avant chaque utilisation du barbecue afin de détecter toute égratignure, fissure, abrasion ou coupure. Si le tuyau s'avère détérioré de quelque manière que ce soit, n'utilisez pas le barbecue. Remplacez le tuyau en utilisant uniquement un tuyau de rechange agréé par Weber®. Contactez le représentant du Service clientèle de votre région à l'aide des coordonnées à votre disposition sur notre site Internet. Connectez-vous sur www.weber.com.** ♦



ALLUMAGE & UTILISATION DU BRULEUR PRINCIPAL

ALLUMAGE DU BRULEUR PRINCIPAL

Remarque : Des instructions brèves pour l'allumage se trouvent à l'intérieur de la porte gauche du meuble.

⚠ DANGER

Le fait de ne pas ouvrir le couvercle pendant l'allumage des brûleurs du barbecue, ou de ne pas patienter cinq minutes pour laisser le gaz se dissiper si le barbecue ne s'allumait pas, risque d'entraîner un embrasement explosif susceptible de provoquer une blessure grave voire un décès.

- A) Ouvrez le couvercle (1).
- B) Assurez-vous que la totalité des boutons de commande du brûleur est en position ARRÊTÉ (OFF) (2). (Enfoncez le bouton de commande et tournez-le dans le sens des aiguilles d'une montre afin de vous assurer qu'il est sur la position FERME [OFF]).

⚠ **MISE EN GARDE** : Les boutons de commande du brûleur doivent être sur la position ARRÊTÉ (OFF) avant d'ouvrir la valve de la bouteille de PL (3). S'ils ne sont pas sur la position ARRÊTÉ (OFF), lorsque vous ouvrez la valve de la bouteille de PL, la fonction de "contrôle du débit de gaz en excès" va s'activer, limitant ainsi le flux de gaz en provenance de la bouteille de PL. Si cela se produisait, fermez la valve de la bouteille de PL et les boutons de contrôle du brûleur. Recommencez.

⚠ DANGER

Lorsque la fonction de "contrôle du débit de gaz en excès" est activée, une petite quantité de gaz continue d'arriver vers les brûleurs. Après avoir fermé la valve de la bouteille de PL et les boutons de contrôle du brûleur, patientez au moins cinq minutes pour laisser le gaz se dissiper avant de tenter d'allumer le grill. Le non respect de cette consigne de sécurité risque de provoquer un embrasement explosif, susceptible d'entraîner une blessure grave voire un décès.

- C) Ouvrez la vanne du réservoir GPL en la tournant dans le sens anti-horaire; attendez 60 secondes avant de pousser le bouton de réglage et de le tourner vers MARCHE/ELEVE (START/HI) (3).

Système d'Allumage Électronique

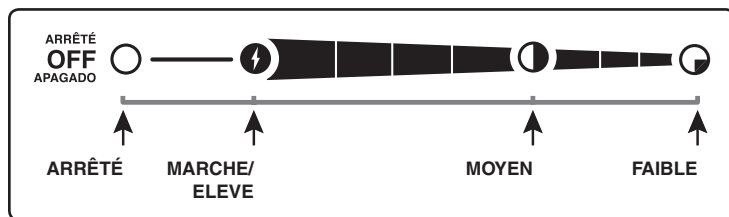
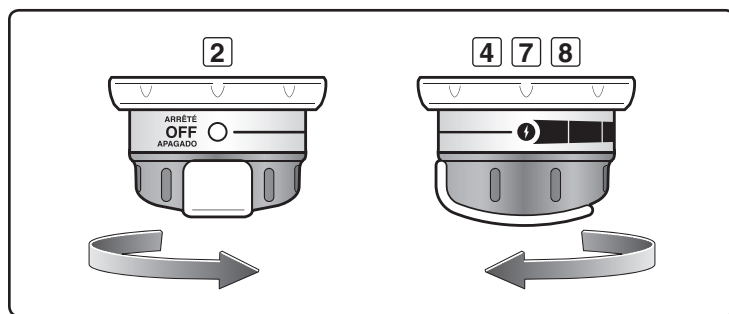
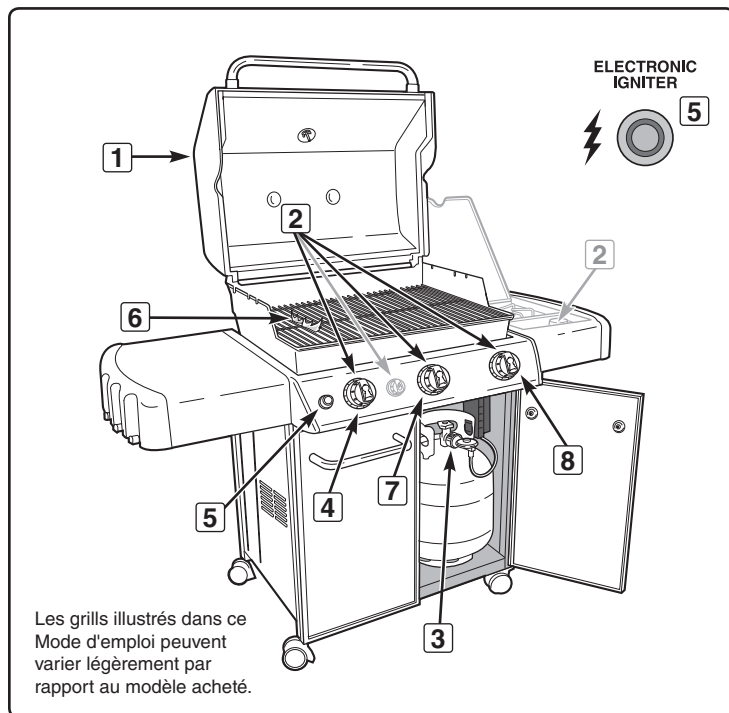
Chacun des boutons de commande actionne un brûleur individuel, et chaque brûleur s'allume à l'aide d'un allumeur électronique. Le système d'allumage électronique allume chaque brûleur individuellement à l'aide d'une étincelle produite par l'électrode de l'allumeur à l'intérieur de la chambre d'allumage Gas Catcher™. Vous générez l'énergie nécessaire à l'étincelle en enfonçant le bouton d'allumage électronique. Vous l'entendrez émettre un déclic.

- D) Allumez les brûleurs individuellement de gauche à droite. Commencez par le brûleur de gauche; enfoncez le bouton de commande et tournez-le vers MARCHE/ELEVE (START/HI) (4). Maintenez enfoncé le bouton d'allumage électronique (5). Vous l'entendrez émettre un déclic. Vérifiez si le brûleur gauche est allumé en regardant à travers les grilles de cuisson. Vous devriez voir une flamme (6).

⚠ **MISE EN GARDE** : Ne vous penchez pas au-dessus du barbecue ouvert.

- E) Allumez le brûleur central en enfonçant le bouton de commande et en le tournant vers MARCHE/ELEVE (START/HI) (7). Ensuite, maintenez enfoncé le bouton d'allumage électronique (5). Vous l'entendrez émettre un déclic. Vérifiez si le brûleur central est allumé en regardant à travers les grilles de cuisson.
- F) Allumez le brûleur droit en enfonçant le bouton de commande et en le tournant vers MARCHE/ELEVE (START/HI) (8). Maintenez enfoncé le bouton d'allumage électronique (5). Vous l'entendrez émettre un déclic. Confirmez que le brûleur droit est allumé en regardant à travers les grilles de cuisson.

⚠ **MISE EN GARDE** : Chacun des brûleurs doit être allumé individuellement en enfonçant le bouton d'allumage électronique. Le non respect de cette consigne de sécurité risque de provoquer un embrasement de gaz susceptible d'entraîner une blessure grave ainsi que des dégâts matériels.



⚠ **MISE EN GARDE** : Si l'un des brûleurs ne s'allume pas au moment de l'allumage, en moins de cinq secondes, arrêtez, tournez le bouton de commande du brûleur en position FERME (OFF) puis patientez cinq minutes pour laisser le gaz se dissiper avant d'essayer à nouveau ou allumez le brûleur avec une allumette. ♦

POUR ÉTEINDRE

Enfoncez et tournez chacun des boutons de contrôle des brûleurs dans le sens des aiguilles d'une montre vers la position ARRÊTÉ (OFF). Fermez l'arrivée de gaz à la source. ♦

ALLUMAGE & UTILISATION DU BRULEUR PRINCIPAL

ALLUMAGE MANUEL DU BRULEUR PRINCIPAL

⚠ DANGER

Le fait de ne pas ouvrir le couvercle pendant l'allumage des brûleurs du barbecue, ou de ne pas patienter cinq minutes pour laisser le gaz se dissiper si le barbecue ne s'allumait pas, risque d'entraîner un embrasement explosif susceptible de provoquer une blessure grave voire un décès.

- A) Ouvrez le couvercle (1).
- B) Assurez-vous que la totalité des boutons de commande du brûleur est en position ARRÊTÉ (OFF) (2). (Enfoncez le bouton de commande et tournez-le dans le sens des aiguilles d'une montre afin de vous assurer qu'il est sur la position FERME [OFF]).

⚠ **MISE EN GARDE** : Les boutons de commande du brûleur doivent être sur la position ARRÊTÉ (OFF) avant d'ouvrir la valve de la bouteille de PL (3). S'ils ne sont pas sur la position ARRÊTÉ (OFF), lorsque vous ouvrez la valve de la bouteille de PL, la fonction de "contrôle du débit de gaz en excès" va s'activer, limitant ainsi le flux de gaz en provenance de la bouteille de PL. Si cela se produisait, fermez la valve de la bouteille de PL et les boutons de contrôle du brûleur. Recommencez.

⚠ DANGER

Lorsque la fonction de "contrôle du débit de gaz en excès" est activée, une petite quantité de gaz continue d'arriver vers les brûleurs. Après avoir fermé la valve de la bouteille de PL et les boutons de contrôle du brûleur, patientez au moins cinq minutes pour laisser le gaz se dissiper avant de tenter d'allumer le grill. Le non respect de cette consigne de sécurité risque de provoquer un embrasement explosif, susceptible d'entraîner une blessure grave voire un décès.

- C) Ouvrez la vanne du réservoir GPL en la tournant dans le sens anti-horaire; attendez 60 secondes avant de pousser le bouton de réglage et de le tourner vers MARCHE/ELEVE (START/Hi) (3).
- D) Allumez les brûleurs individuellement de gauche à droite. Commencez par le brûleur de gauche. Placez l'allumette dans le porte-allumette puis frottez l'allumette. Insérez le porte-allumette avec l'allumette allumée à travers les grilles de cuisson, faites-les dépasser les barres Flavorizer® et arriver à côté du brûleur gauche (4). Enfoncez le bouton de commande (5) et tournez-le vers MARCHE/ELEVE (START/Hi) pour allumer le brûleur gauche. Vérifiez si le brûleur gauche est allumé en regardant à travers les grilles de cuisson. Vous devriez voir une flamme (6).

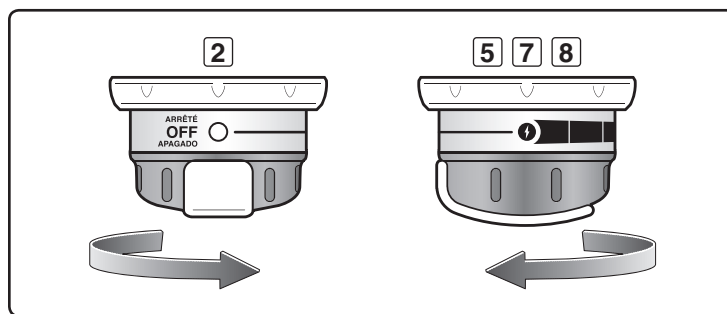
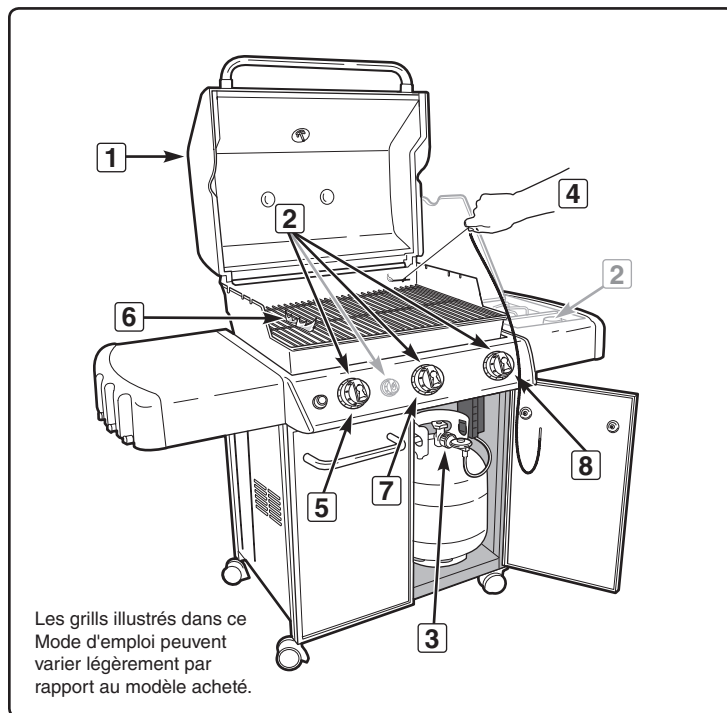
⚠ **MISE EN GARDE** : Ne vous penchez pas au-dessus du barbecue ouvert.

- E) Allumez le brûleur central en plaçant une allumette dans le porte-allumette et en frottant l'allumette. Ensuite, insérez le porte-allumette avec l'allumette allumée à travers les grilles de cuisson, faites-les dépasser les barres Flavorizer® et arriver à côté du brûleur central. Enfoncez le bouton de commande (7) et tournez-le vers MARCHE/ELEVE (START/Hi) pour allumer le brûleur central. Vérifiez si le brûleur central est allumé en regardant à travers les grilles de cuisson.
- F) Allumez le brûleur droit en plaçant une allumette dans le porte-allumette et en frottant l'allumette. Ensuite, insérez le porte-allumette avec l'allumette allumée à travers les grilles de cuisson, faites-les dépasser les barres Flavorizer® et arriver à côté du brûleur droit. Enfoncez le bouton de commande (8) et tournez-le vers MARCHE/ELEVE (START/Hi) pour allumer le brûleur droit. Vérifiez si le brûleur droit est allumé en regardant à travers les grilles de cuisson.

⚠ **MISE EN GARDE** : Si l'un des brûleurs ne s'allume pas au moment de l'allumage, en moins de cinq secondes, arrêtez, tournez le bouton de commande du brûleur en position ARRÊTÉ (OFF) puis patientez cinq minutes pour laisser le gaz se dissiper avant d'essayer à nouveau ou allumez le brûleur avec une allumette. ♦

POUR ETEINDRE

Enfoncez et tournez le bouton de commande de chacun des brûleurs dans le sens des aiguilles d'une montre vers la position ARRÊTÉ (OFF). Fermez l'arrivée de gaz à la source. ♦



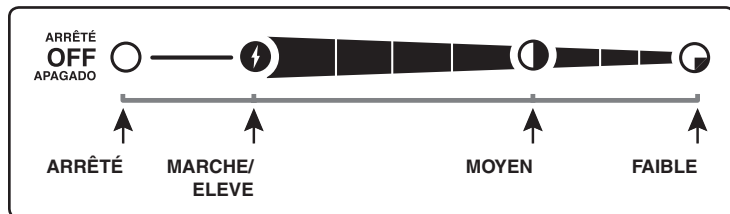
CONSEILS & ASTUCES POUR LA GRILLADE

- Préchauffez toujours le grill avant la cuisson. Réglez tous les brûleurs sur ELEVÉ puis fermez le couvercle; laissez chauffer pendant 10 minutes, ou jusqu'à ce que le thermomètre atteigne 500°–550°F (260°–288°C).
- Grillez les viandes et cuisinez avec le couvercle fermé pour des aliments grillés à la perfection à chaque fois.
- Les durées de grillade des recettes sont fournies pour une température extérieure de 70°F (20°C) avec peu ou pas de vent. Laissez les aliments cuire plus longtemps s'il fait froid ou s'il y a du vent, ou en altitude. Diminuez la durée de cuisson si le temps est extrêmement chaud.
- Les durées de grillade sont susceptibles de varier en fonction des conditions météorologiques, ou de la quantité, de la taille, et de la forme des aliments à griller.
- Il est possible que la température de votre grill à gaz atteigne un niveau plus élevé que la normale lors des premières utilisations.
- Les conditions de grillade peuvent nécessiter une adaptation des commandes du brûleur pour atteindre les températures de cuisson correctes.
- En général, les gros morceaux de viande nécessitent une durée de cuisson plus longue par livre que les petits morceaux de viande. Des aliments placés sur une grille de cuisson surchargée devront cuire plus longtemps qu'une petite quantité d'aliments. Les aliments grillés dans des récipients comme les haricots, nécessiteront une durée de cuisson plus longue s'ils sont grillés dans une casserole profonde que s'ils sont cuits dans un plat peu profond.
- Retirez le surplus de matière grasse des steaks, des côtes, et des rôtis en ne laissant pas plus d'1/4 pouce (6.4 mm) de matière grasse. Le fait qu'il y ait moins de matière grasse facilite le nettoyage, et constitue quasiment une garantie contre les embrasements indésirables.
- Les aliments placés directement sur la grille de cuisson au-dessus des brûleurs peuvent avoir besoin d'être retournés ou d'être déplacés vers une zone moins chaude.
- Utilisez des pinces plutôt que des fourchettes pour retourner et manipuler la viande afin d'éviter toute perte de jus de viande. Utilisez deux spatules pour manipuler les gros poissons entiers.
- En cas d'embrasement indésirable, fermez tous les brûleurs et déplacez les aliments vers une autre zone de la grille de cuisson. Toute flamme se résorbera rapidement. Une fois que les flammes se sont éteintes, rallumez le grill. **N'UTILISEZ JAMAIS D'EAU POUR ÉTEINDRE LES FLAMMES SUR UN GRILL À GAZ.**
- La cuisson de certains aliments, comme les ragoûts ou les filets de poisson fins, nécessite un récipient. Les plats en aluminium jetables sont très pratiques mais vous pouvez utiliser n'importe quel plat métallique avec des gants de cuisiner.
- Assurez-vous toujours que le plateau de récupération des graisses amovible et l'égouttoir sont propres et ne contiennent aucun résidu.
- Ne recouvrez pas le plateau de récupération des graisses amovible avec du papier aluminium. Ceci pourrait empêcher la graisse de s'écouler vers l'égouttoir.
- L'utilisation d'un minuteur vous aidera à savoir lorsque la viande "bien cuite" est sur le point de devenir "trop cuite." ♦

PRÉCHAUFFAGE

Votre barbecue à gaz Weber® est un appareil qui utilise l'énergie de manière efficace. En fonctionnement, son évaluation BTU est faible et économique. Il est important de préchauffer votre grill avant de l'utiliser. Allumez votre grill en respectant les instructions du présent Manuel de l'utilisateur. Pour le préchauffage : après l'allumage, positionnez tous les brûleurs sur MARCHE/ELEVÉ, fermez le couvercle, et laissez chauffer jusqu'à ce que la température atteigne un niveau situé entre 500° et 550° F (260° et 290° C), la température de cuisson recommandée. Ceci prendra 10 à 15 minutes en fonction de conditions comme la température de l'air et le vent.

Vous pouvez ajuster les brûleurs individuels selon ce que vous souhaitez. Les réglages des commandes sont MARCHE/ELEVÉ, MOYEN, FAIBLE, ou ARRÊTÉ.



Remarque : Les conditions de cuisson, comme le vent et les conditions climatiques, peuvent nécessiter l'ajustement des commandes du brûleur afin d'obtenir les températures de cuisson correctes.

Remarque : Si le grill perd de la chaleur pendant la cuisson, veuillez consulter la section intitulée Résolution des problèmes de ce manuel.

⚠ MISE EN GARDE : Ne déplacez pas le barbecue à gaz Weber® en cours d'utilisation ou lorsque celui-ci est très chaud.

Si les brûleurs s'éteignent pendant la cuisson, éteignez tous les brûleurs puis patientez cinq minutes avant de les allumer à nouveau. ♦

CUISSON COUVERTE

La totalité de la grillade s'effectue avec le couvercle fermé afin d'apporter une chaleur uniforme qui circule de façon homogène. Avec le couvercle fermé, le grill à gaz cuit d'une manière très semblable à un four à convection. Le thermomètre dans le couvercle indique la température de cuisson à l'intérieur du grill. La totalité du préchauffage et de la grillade s'effectue avec le couvercle fermé. N'ouvrez pas pour regarder — vous perdez de la chaleur à chaque fois que vous soulevez le couvercle. ♦

ÉCOULEMENTS DE JUS ET DE GRAISSES

Les barres Flavorizer® sont conçues pour "fumer" la quantité correcte de jus pour une cuisson savoureuse. Les excédents de jus et de graisses vont s'accumuler dans l'égouttoir au-dessous du plateau de récupération des graisses amovible. Des égouttoirs jetables en aluminium sont disponibles ; ils s'adaptent parfaitement à l'égouttoir.

⚠ MISE EN GARDE : Vérifiez le plateau de récupération des graisses amovible ainsi que l'égouttoir afin de détecter toute accumulation de graisse avant chaque utilisation. Retirez tout excès de matière grasse afin d'éviter un embrasement de graisse à l'intérieur du plateau de récupération des graisses amovible. ♦

SYSTÈME FLAVORIZER®

Lorsque les jus de viandes s'écoulent des aliments vers les barres Flavorizer® disposées selon un angle particulier, elles créent de la fumée qui donne aux aliments une saveur de barbecue irrésistible. Grâce à la conception unique des brûleurs, des barres Flavorizer® et aux commandes de température souples, les embrasements incontrôlés sont presque éliminés, parce que VOUS contrôlez les flammes. En raison du design particulier des barres Flavorizer® et des brûleurs, les graisses en excès sont orientées vers le plateau de récupération des graisses amovible puis dans l'égouttoir. ♦

DEPANNAGE

PROBLEME	VERIFICATION	SOLUTION
Les brûleurs brûlent avec une flamme jaune ou orange, associée à une odeur de gaz.	Inspectez les grilles anti insectes/araignées pour détecter toute obstruction éventuelle. (Blocage des trous.)	Nettoyez les grilles anti araignées/insectes. Voir "MAINTENANCE ANNUELLE."
Symptômes : Les brûleurs ne s'allument pas -ou- Les brûleurs ont une petite flamme vacillante en position ELEVE. -ou- La température du barbecue atteint uniquement 250° à 300° en position ELEVE	Le dispositif de sécurité empêchant un débit excessif, qui fait partie du raccord entre le barbecue et la bouteille de gaz, s'est peut-être activé.	Pour réinitialiser le dispositif de sécurité en cas de débit de gaz en excès, fermez la valve de la bouteille de PL et tournez tous les boutons de commande du brûleur vers la position ARRÊTÉ (OFF). Ouvrez le couvercle du grill. Tournez lentement la valve de la bouteille de PL jusqu'à ce qu'elle soit complètement ouverte. Patientez plusieurs secondes puis allumez votre grill. Voir "ALLUMAGE DU BRULEUR PRINCIPAL."
Le brûleur ne s'allume pas, ou la flamme est basse en position ELEVE.	Le niveau de combustible PL est-il faible ou vide ?	Remplissez la bouteille de PL.
	Le tuyau de combustible est-il plié ou pincé ?	Redressez le tuyau de combustible.
Le brûleur ne s'allume pas lorsque vous enfoncez le bouton de l'allumeur.	Assurez-vous que du gaz circule en direction des brûleurs en tentant d'allumer vos brûleurs avec une allumette. Voir "ALLUMAGE MANUEL DU BRULEUR PRINCIPAL."	Si l'allumage avec une allumette réussit, cela signifie que le problème vient du dispositif d'allumage. Voir "UTILISATION DU SYSTEME D'ALLUMAGE ELECTRONIQUE."
	Une pile neuve a-t-elle été installée ?	Vérifiez que la pile est en bon état et correctement en place. Voir "INSPECTION DE L'ALLUMEUR ELECTRONIQUE."
	Les câbles sont-ils correctement raccordés au module d'allumage ?	Assurez-vous que les câbles sont correctement insérés dans les terminaux sur le boîtier d'allumage. Voir "UTILISATION DU SYSTEME D'ALLUMAGE ELECTRONIQUE."
	Y a-t-il un emballage plastique autour de la pile neuve ?	Retirez l'emballage plastique.
En cas d'embrasements : ⚠ ATTENTION : Ne recouvrez pas le plateau de récupération des graisses amovible avec du papier aluminium.	Préchauffez-vous le barbecue selon la méthode recommandée ?	Tous les brûleurs sur ELEVE pendant 10 à 15 minutes pour le préchauffage.
	Y a-t-il une forte accumulation de graisse carbonisée sur les grilles de cuisson, les déflecteurs de chaleur et les barres Flavorizer® ?	Nettoyez de manière approfondie. Voir "NETTOYAGE."
	Est-ce que le plateau de récupération des graisses amovible est sale et empêche la graisse de s'écouler vers l'égouttoir ?	Nettoyez le plateau de récupération des graisses amovible.
La forme de la flamme du brûleur est irrégulière. La flamme est basse lorsque le brûleur est réglé sur ELEVE. Les flammes ne se trouvent pas sur toute la longueur du tube du brûleur.	Les brûleurs sont-ils propres ?	Nettoyez les brûleurs. Voir "MAINTENANCE"
L'intérieur du couvercle semble s'écailler. (Ressemble à de la peinture qui s'écaille.)	L'intérieur du couvercle est composé de porcelaine émaillée ou d'acier inoxydable, et il n'est pas peint. Il ne peut pas s'écailler. Ce que vous voyez c'est de la graisse carbonisée qui s'envole sous forme de flocons. CE N'EST PAS UN DEFAULT.	Nettoyez de manière approfondie. Voir "NETTOYAGE."
Les portes du meuble ne sont pas en face l'une de l'autre.	Vérifiez la goupille d'ajustement au bas de chaque porte.	Desserrez le ou les écrous d'ajustement. Faites glisser la ou les portes jusqu'à ce qu'elles soient en face. Serrez l'écrou.
Si les problèmes ne peuvent pas être corrigés en utilisant ces méthodes, veuillez contacter le représentant du Service clientèle de votre région à l'aide des coordonnées à votre disposition sur notre site Internet. Connectez-vous sur www.weber.com .		

NETTOYAGE

⚠ **MISE EN GARDE : Fermez votre barbecue à gaz Weber® et attendez que celui-ci ait refroidi avant de le nettoyer.**

Surfaces externes — Utilisez une solution d'eau savonneuse chaude pour le nettoyage, ensuite rincez à l'eau.

⚠ **ATTENTION : N'utilisez pas de nettoyant pour four, de détergents abrasifs (détergents de cuisine), de détergents contenant des agrumes, ni des tampons de nettoyage abrasifs sur les surfaces du barbecue ou du chariot.**

Sortez le plateau de récupération des graisses amovible en le faisant glisser — Retirez la graisse en excès, puis lavez à l'eau savonneuse chaude, avant de rincer.

⚠ **ATTENTION : Ne recouvrez pas le plateau de récupération des graisses amovible de papier aluminium.**

Barres Flavorizer® et grilles de cuisson — Nettoyez-les avec une brosse en acier inoxydable adaptée. Si nécessaire, retirez-les du grill et lavez-les à l'eau savonneuse chaude, puis rincez-les à l'eau.

⚠ **ATTENTION : Les brosses du grill devraient être vérifiées régulièrement afin de détecter toute usure excessive. Remplacez la brosse si vous trouvez des brins métalliques sur la grille de cuisson ou sur la brosse. Weber recommande d'acheter une brosse neuve pour le nettoyage de la grille en acier inoxydable au début de chaque printemps.**

⚠ **ATTENTION : Ne nettoyez pas vos barres Flavorizer® ou vos grilles de cuisson dans un four auto-nettoyant.**

Pour connaître la disponibilité des grilles de cuisson et des barres Flavorizer® de rechange, veuillez entrer en contact avec le Représentant du Service clientèle de votre région grâce aux coordonnées à votre disposition sur notre site Internet. Connectez-vous sur www.weber.com.

Égouttoir — À chaque utilisation du barbecue, vérifiez l'absence d'accumulation de graisse dans le bac de récupération. Éliminez l'excès de graisse à l'aide d'un racloir en plastique. Lavez le bac de récupération à l'aide d'eau savonneuse tiède, puis rincez-le à l'eau claire. Weber propose des barquettes en aluminium jetables adaptées au bac de récupération.

Thermomètre — Essuyez-le avec de l'eau savonneuse chaude ; nettoyez-le avec une balle de plastique à récurer.

Boîtier de cuisson — Retirez tout débris en le brossant vers l'extérieur des tubes du brûleur. **N'ÉLARGISSEZ PAS LES PORTS (OUVERTURES)**. Lavez l'intérieur du boîtier de cuisson à l'eau savonneuse chaude puis rincez à l'eau.

Intérieur du couvercle — Lorsque le couvercle est encore chaud, essuyez l'intérieur avec une serviette en papier pour empêcher toute accumulation de graisse. Les éclats de graisse accumulés ressemblent à des éclats de peinture.

Surfaces en acier inoxydable — Lavez les surfaces avec un chiffon doux et une solution d'eau savonneuse. Veillez à frotter dans le sens du grain de l'acier inoxydable.

N'utilisez pas de produits de nettoyage contenant de l'acide, des alcools minéraux, ou du xylène. Rincez bien une fois le nettoyage terminé.

Préservez votre acier inoxydable — Votre grill ou son placard, son couvercle, son panneau de commandes ainsi que ses étagères peuvent être en acier inoxydable. Préserver l'aspect optimal de l'acier inoxydable n'est pas compliqué. Nettoyez à l'eau savonneuse, rincez à l'eau claire, et essuyez pour sécher. Pour les particules tenaces, vous pouvez utiliser une brosse non métallique.

⚠ **IMPORTANT : N'utilisez pas de brosse métallique ni de détergents abrasifs sur les surfaces en acier inoxydable de votre grill car ceci le rayerait.**

⚠ **IMPORTANT : Lorsque vous nettoyez les surfaces assurez-vous de frotter/essuyer dans le sens du grain pour préserver l'aspect de votre acier inoxydable. ♦**

GRILLES ANTI-ARAIGNÉES/INSECTES WEBER®

Votre barbecue à gaz Weber®, comme tout appareil à gaz d'extérieur, constitue une cible pour les araignées et les autres insectes. Ceux-ci peuvent faire leur nid dans la section des venturi (1) des tubes du brûleur. Ceci bloque le débit normal du gaz, et risque de provoquer le retour du gaz à l'extérieur de l'ouverture destinée à l'air nécessaire à la combustion. Ceci pourrait entraîner un incendie à l'intérieur et autour des ouvertures destinées à recevoir l'air nécessaire à la combustion, au-dessous du panneau de commandes, provoquant une détérioration grave de votre barbecue.

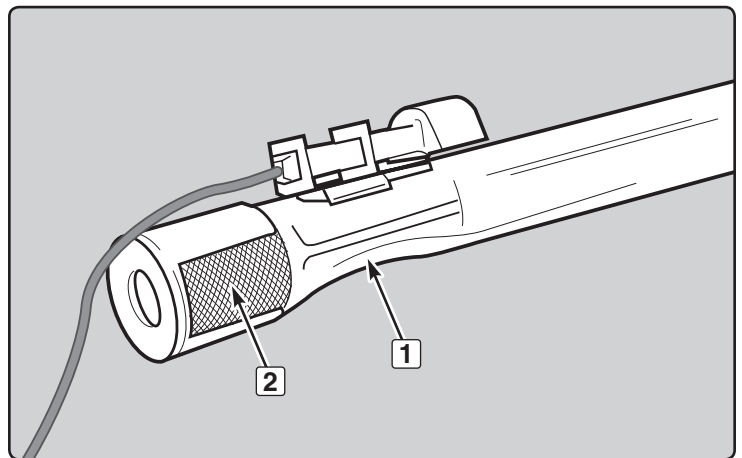
L'ouverture destinée à recevoir l'air nécessaire à la combustion est protégée par une grille en acier inoxydable (2) afin d'empêcher les araignées et les autres insectes d'accéder aux tubes du brûleur à travers les ouvertures de circulation de l'air nécessaire à la combustion.

Nous vous recommandons d'inspecter les grilles anti-araignées/insectes au moins une fois par an. (Voir la Section "MAINTENANCE ANNUELLE.") Veuillez également inspecter et nettoyer les grilles anti-araignées/insectes si l'un des symptômes suivant se produisait :

- A) Une odeur de gaz est émise et en même temps les flammes du brûleur semblent jaunes et peu vigoureuses.
- B) Le barbecue n'atteint pas la température.
- C) Le barbecue ne chauffe pas de façon homogène.
- D) Un ou plusieurs brûleurs ne s'allument pas.

⚠ DANGER

Le fait de ne pas corriger les symptômes mentionnés ci-dessus pourrait entraîner un incendie, susceptible de provoquer une blessure grave ou la mort et des dommages à la propriété. ♦



NETTOYAGE OU REMPLACEMENT DES TUBES DU BRÛLEUR

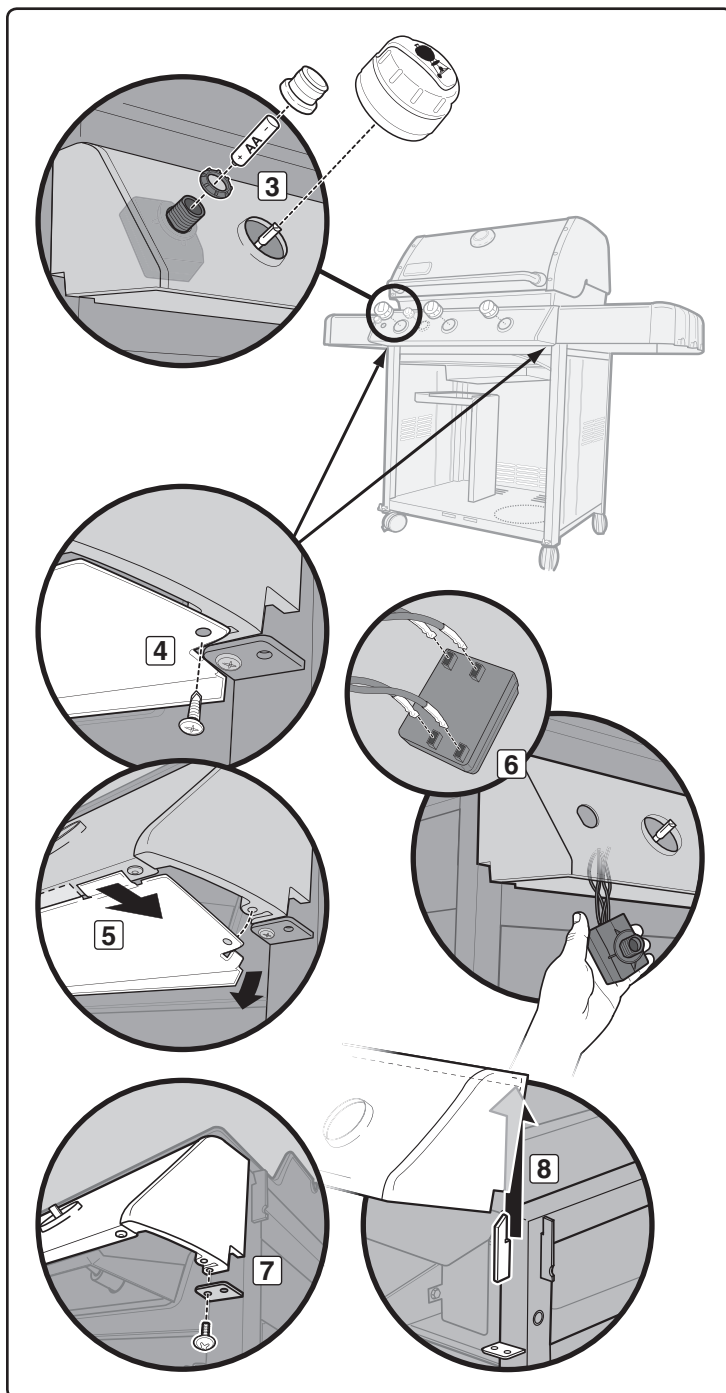
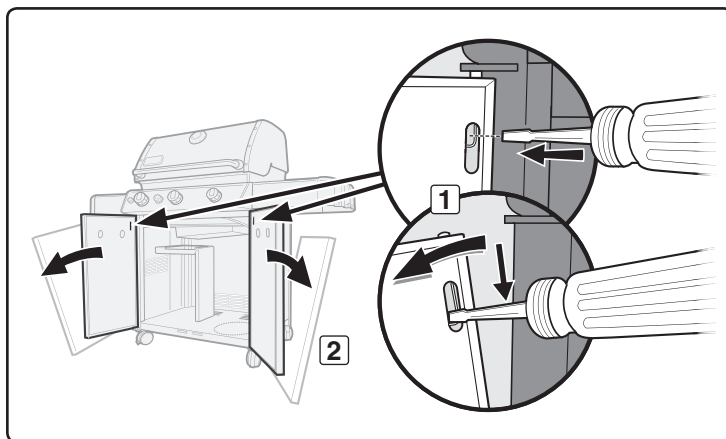
Vérifier que le grill soit éteint

- A) Fermez le gaz à la source et débranchez le raccord du gaz.
- B) S'assurer que tous les boutons de contrôle du brûleur soient en position d'arrêt (O). Vérifier en appuyant sur les boutons de contrôle du brûleur et en les tournant dans le sens des aiguilles d'une montre jusqu'à la butée. Ils ne peuvent plus aller plus loin s'ils ne pivotent plus. S'ils pivotent, poursuivez leur rotation dans le sens des aiguilles d'une montre jusqu'à la butée, ils sont alors en position d'arrêt. Si votre grill a un brûleur latéral, assurez-vous que le bouton de contrôle du brûleur latéral soit en position d'arrêt.
- C) Retirer les composants du boîtier de cuisson – grille de conservation au chaud, grilles et barres Flavorizer®. (Les plaques de diffusion de la chaleur n'ont pas besoin d'être retirées.)

Dépose du panneau de contrôle

Il vous faudra : un tournevis cruciforme.

- A) Localisez l'encoche d'ouverture de la porte sur la porte. À l'aide d'un tournevis, abaissez l'encoche de la porte (1) jusqu'à ce que la porte se détache du cadre. Retirez la partie supérieure de la porte en la tirant pour l'éloigner du cadre (2) et soulevez la porte pour la retirer du tenon de la charnière ajustable inférieure.
- B) Retirez les boutons de contrôle, le bouton de l'allumeur, l'écrou de retenue de l'allumeur ainsi que la pile (3).
- C) Retirez les vis du déflecteur de vent (4) situé au-dessous du panneau de contrôle à l'aide d'un tournevis cruciforme.
- D) Inclinez l'extrémité du déflecteur de vent vers le bas puis faites-le glisser vers l'extérieur pour le retirer (5).
- E) Retirez le module de l'allumeur du panneau de contrôle (6) puis retirez la totalité des fils du module.
- F) Retirez les vis du dessous du panneau de contrôle avec le tournevis cruciforme (7).
- G) Soulevez légèrement le panneau de contrôle, inclinez légèrement l'extrémité avant vers le haut puis soulevez-le doucement vers le haut pour le retirer (8).



NETTOYAGE OU REMPLACEMENT DES TUBES DU BRÛLEUR (suite)

Dépose des tubes du brûleur

Il vous faudra : une clé à écrou de (5/16").

- Retirez le(s) fil(s) de l' ou des œillet(s) de l'allumeur (9).
- Retirez les vis qui fixent le canal Crossover® à l'arrière du boîtier de cuisson à l'aide d'une clé à écrou de (5/16") (10).
- Retirez la vis qui retient le tube du brûleur contre le boîtier de cuisson à l'aide d'une clé à écrou de (5/16") (11).
- Tirez sur le tube du brûleur (comprenant l'allumeur) vers le haut puis à l'extérieur du boîtier de cuisson (12).

Remarque : les appareils de type 310 auront un câble de raccordement à la terre supplémentaire fixé au tube central du brûleur (13).

Nettoyage des tubes du brûleur

Il vous faudra : une lampe torche, un fil de fer (un cintre déplié fera l'affaire), une brosse à brins en acier inoxydable et une brosse à poils souples (brosse à dents).

- Regardez à l'intérieur de chaque brûleur et du canal Crossover® avec une lampe torche (14).
- Faites sortir les débris et impuretés de l'intérieur des tubes de brûleurs et du canal Crossover® à l'aide du fil de fer (15).
- Inspectez les grilles anti-araignées/insectes aux extrémités des brûleurs et nettoyez-les à l'aide de la brosse à poils souples (16).

⚠ ATTENTION : ne pas nettoyer les grilles anti-araignées/insectes à l'aide d'ustensiles durs ou tranchants. Ne pas sortir ou déboîter les grilles anti-araignées/insectes de leur emplacement et ne pas élargir les ouvertures des grilles.

- Utilisez la brosse à brins d'acier pour nettoyer l'extérieur des tubes des brûleurs et du canal Crossover® (17). Ceci a pour but de vous assurer que tous les trous du brûleur situés le long du tube, soient complètement dégagés. Pendant le nettoyage des tubes du brûleur, évitez d'endommager l'électrode de l'allumeur, en brossant délicatement autour d'elle.

Réinstallation des tubes du brûleur

Il vous faudra : une clé à écrou de (5/16").

- Faites glisser le tube du brûleur et le câble de l'allumeur à travers le trou, dans le boîtier de cuisson (18). Cf. "UTILISATION DES SYSTÈMES D'ALLUMAGE ÉLECTRONIQUES" pour découvrir la bonne position du brûleur.
- Alignez le tube du brûleur avec le robinet.

⚠ ATTENTION : les ouvertures du brûleur (19) doivent être correctement positionnées au-dessus des orifices des robinets (20).

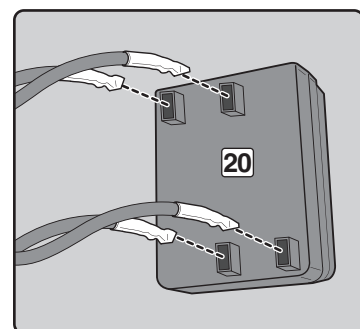
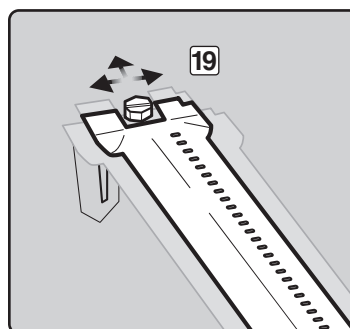
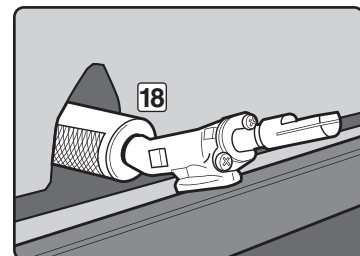
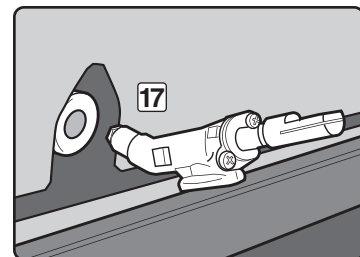
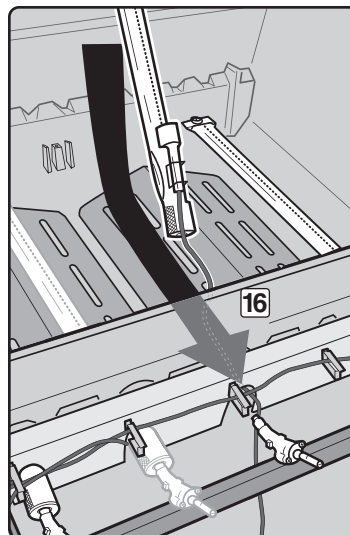
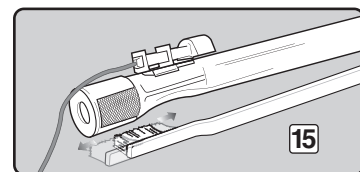
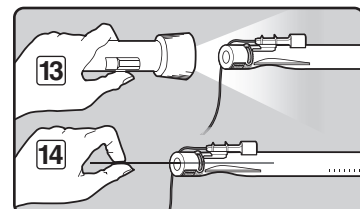
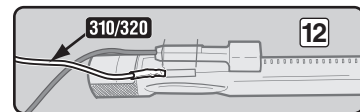
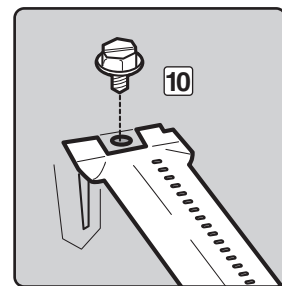
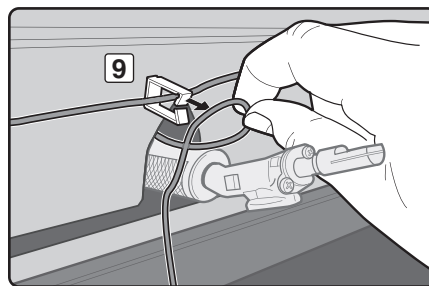
- Remettez en place les vis qui fixent le canal Crossover® au boîtier de cuisson, à l'aide d'une clé à écrou de (5/16") (21).
- Remettez en place la vis qui maintient le tube du brûleur contre le boîtier de cuisson à l'aide d'une clé à écrou de (5/16"). Le tube du brûleur peut sembler desserré (22), alors que la vis est bien ajustée. Ceci est normal.

- Faites à nouveau passer les fils à travers les œillets de l'allumeur. Cf. schéma (9).

⚠ ATTENTION : tous les fils doivent être correctement passés dans les œillets pour les fils.

- Fixez les fils au module de l'allumeur en respectant le codage numérique / couleur (23). Cf. "UTILISATION DES SYSTÈMES D'ALLUMAGE ÉLECTRONIQUES" pour découvrir comment fixer correctement les fils.

⚠ MISE EN GARDE : assurez-vous que toutes les pièces soient assemblées et que le matériel soit parfaitement assujéti avant d'utiliser le gril. Vos actions, si vous ne respectez pas cette Mise en Garde concernant le Produit, peuvent provoquer un incendie, une explosion, ou une défaillance structurelle entraînant une blessure grave, voire un décès ainsi que des dégâts matériels. ♦



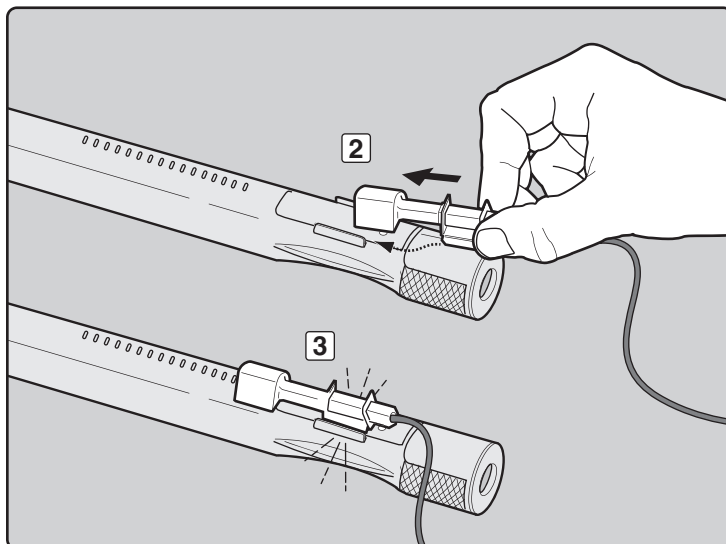
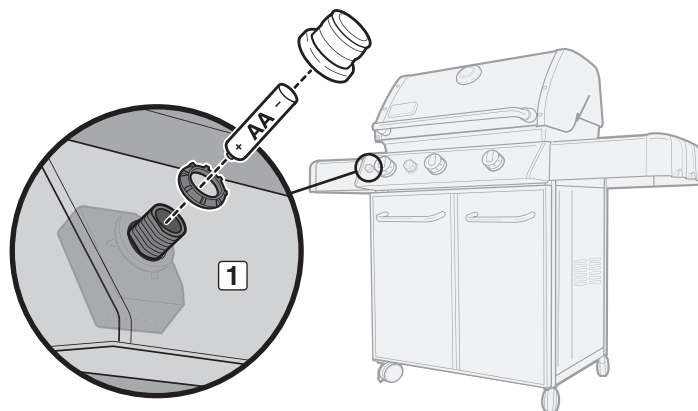
UTILISATION DU SYSTEME D'ALLUMAGE ELECTRONIQUE

Si le Système d'allumage électronique n'allume pas le brûleur, assurez-vous que le gaz circule bien en essayant d'allumer vos brûleurs avec une allumette. Voir "ALLUMAGE MANUEL DU BRULEUR PRINCIPAL" Si l'allumage avec une allumette réussit, le problème réside dans l'allumage électronique.

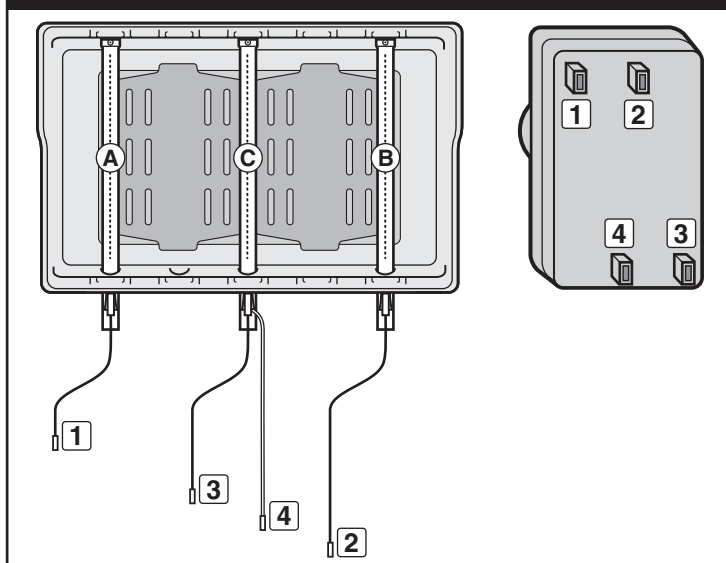
⚠ MISE EN GARDE : La totalité des commandes de gaz et des valves d'arrivée de gaz devrait être en position FERMEE (OFF).

- Vérifiez que la pile AA (alcaline uniquement) est en bon état et qu'elle est installée correctement (1). Certaines piles sont emballées dans un plastique de protection. Ce plastique doit être retiré. Ne confondez pas ce plastique avec l'étiquette de la pile.
- Assurez-vous que les câbles d'allumage sont correctement fixés sur le module de l'allumeur. Voir le "GUIDE DE CABLAGE DU MODULE DE L'ALLUMEUR" ci-dessous.
- Assurez-vous que l'assemblage de l'allumeur céramique est complètement positionné à l'intérieur du canal de l'allumeur du tube du brûleur (2). Si le positionnement est correct, vous entendrez un déclic (3).
- Assurez-vous que le bouton de l'Allumage électronique fonctionne en écoutant et en regardant pour détecter les étincelles au niveau du brûleur.

Si le Système d'allumage électronique ne s'allume toujours pas, contactez le représentant du Service clientèle de votre région à l'aide des coordonnées à votre disposition sur notre site Internet. Connectez-vous sur www.weber.com. ♦



GUIDE DE CABLAGE DU MODULE DE L'ALLUMEUR 310



Couleur extrémité de câble & terminal	Tube du brûleur
Noir (1)	Brûleur gauche (A)
Jaune (2)	Brûleur droit (B)
Bleu (3)	Brûleur central (C)
Vert (Raccordement à la terre) (4)	Brûleur central (C)

MAINTENANCE ANNUELLE

Inspection et Nettoyage de la Grille Anti-Araignées/Insectes

Pour inspecter les grilles anti-araignées/insectes, retirez le panneau de commandes. En cas de présence de poussière ou d'impuretés sur les grilles, retirez les brûleurs pour nettoyer les grilles.

Brossez légèrement les grilles anti-araignées/insectes avec une brosse à poils souples (par exemple, une vieille brosse à dents).

⚠ ATTENTION : Ne nettoyez pas les grilles anti-araignées/insectes à l'aide d'ustensiles durs ou coupants. Ne délogez pas les grilles-anti araignées/insectes de leurs emplacements et n'élargissez pas les ouvertures des grilles.

Tapotez légèrement le brûleur pour faire sortir les débris et les impuretés du tube du brûleur. Une fois que les grilles anti-araignées/insectes sont propres, remettez les brûleurs en place.

Si une grille anti-araignées/insectes se détériore ou ne peut pas être nettoyée, veuillez entrer en contact avec le Représentant du Service clientèle le plus proche à l'aide des coordonnées à votre disposition sur notre site Internet.

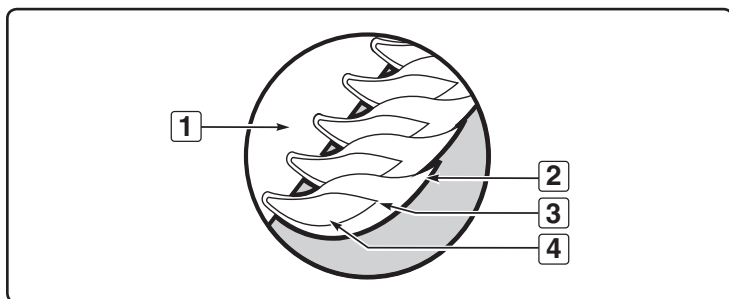
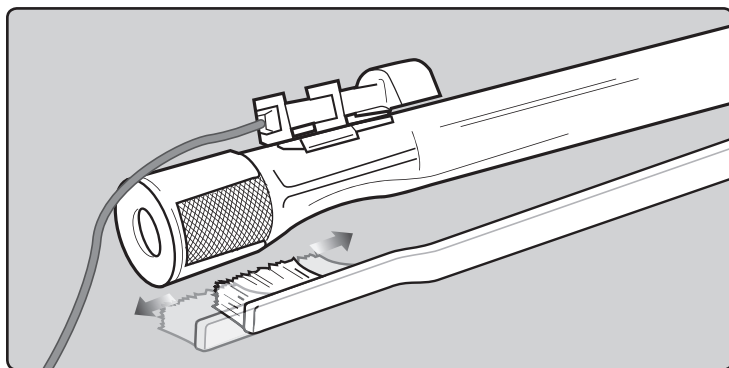
Connectez-vous sur www.weber.com.

Aspect des Flammes du Brûleur

Les brûleurs du barbecue à gaz Weber® ont été paramétrés en usine pour recevoir le mélange d'air et de gaz correct. L'aspect correct de la flamme est présenté sur l'illustration et décrit ci-dessous :

- A) Tube du brûleur (1)
- B) Les extrémités flamboient de temps en temps en jaune (2)
- C) Bleu clair (3)
- D) Bleu foncé (4)

Si les flammes ne semblent pas uniformes tout au long du tube du brûleur, suivez les procédures de nettoyage du brûleur. ♦



⚠ ATTENTION: This product has been safety tested and is only certified for use in a specific country. Refer to country designation located on outer carton.

These parts may be gas carrying or gas burning components. Please contact Weber-Stephen Products LLC, Customer Service Department for genuine Weber-Stephen Products LLC replacement part(s) information.

⚠ WARNING: Do not attempt to make any repair to gas carrying, gas burning, igniter components or structural components without contacting Weber-Stephen Products LLC, Customer Service Department. Your actions, if you fail to follow this Product Warning, may cause a fire, an explosion, or structural failure resulting in serious personal injury or death as well as damage to property.

⚠ ATENCIÓN: A este producto se le han realizado pruebas de seguridad y ha sido certificado para usarse en un país específico. Refiérase al país indicado en la parte externa del cartón de empaque.

Estas partes pueden ser componentes que transporten gas o lo quemen. Por favor póngase en contacto con el Departamento de Atención al Cliente de Weber-Stephen Products LLC para obtener información sobre las partes de repuesto Weber-Stephen Products LLC genuinas.

⚠ ADVERTENCIA: No trate de realizar reparación alguna a los componentes que transporten o quemen gas sin antes ponerse en contacto con el Departamento de Atención al Cliente de Weber-Stephen Products LLC. Si no llegase a acatar esta advertencia, sus acciones podrían causar un fuego o una explosión que resulte en lesiones personales serias o la muerte o daños a la propiedad.

⚠ ATTENTION : Ce produit a fait l'objet de tests de sécurité et est certifié pour une utilisation dans un pays particulier uniquement. Vérifiez la désignation de pays située sur le carton d'emballage.

Ces pièces peuvent contenir du gaz ou être des éléments dont la combustion produit du gaz. Veuillez consulter le Service clientèle de Weber-Stephen Products LLC pour des renseignements sur les pièces de rechange originales de Weber-Stephen Products LLC.

⚠ MISE EN GARDE : Ne tentez pas d'effectuer des réparations sur des éléments contenant du gaz ou sur des éléments dont la combustion produit du gaz sans contacter le service clientèle de Weber-Stephen Products LLC. Si vous ne suivez pas la présente Mise en garde relative au produit, vos actions risquent de provoquer un incendie ou une explosion entraînant des blessures physiques graves voire un décès ainsi que des dégâts matériels.



WEBER-STEPHEN PRODUCTS LLC
www.weber.com®