

Rotary Controls



Traditional look with modern performance

Application

Trimatron™ lighting controls are traditional rotary-style dimmers available in single-pole (one location) and 3-way (two location) Push-ON/Push-OFF versions for LED, CFL and incandescent lighting and quiet fan speed control.

With a compact, easy-to-install design, Trimatron dimmers provide an easy fit even in shallow wallboxes.

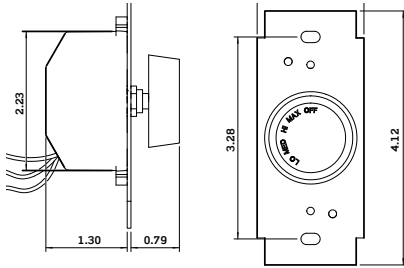
The classic style of Trimatron dimmers is ideal for enhancing the décor of traditional homes while simultaneously upgrading functionality to support today's latest bulb technology.



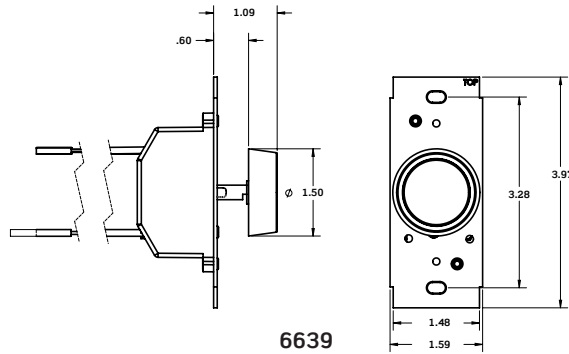
Features and Benefits

- Wire leads for easy installation
- Full range dimming with push-ON/push-OFF or rotate ON/OFF models available
- Dimmers are designed for optimal control of dimmable LED and CFL lamps. Also compatible with incandescent and halogen
- Quiet Fan Speed Control has special circuitry to reduce fan motor noise at low speeds
- RDL06 is single pole (one location) or 3-way (two location) control when paired with a 3-way switch
- Built-in radio/TV interference filter
- Compatible with toggle style wallplates
- Forward phase dimming controls

Dimensional Drawings



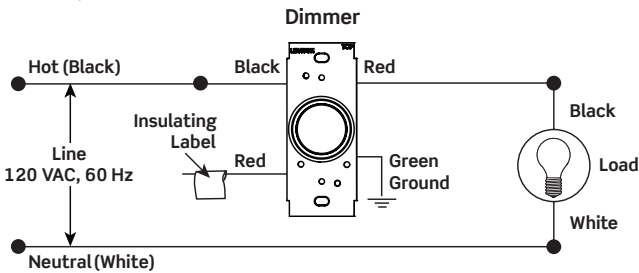
RDL06, RNL06



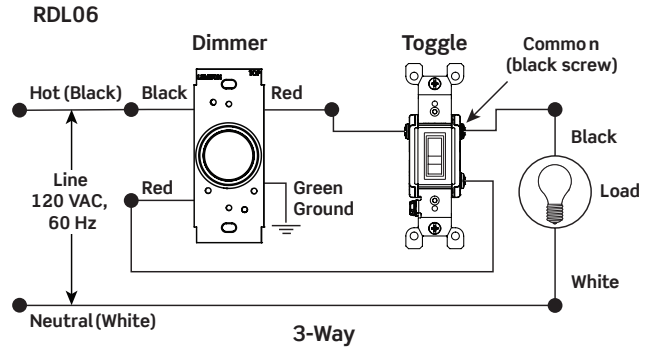
6639

Wiring Diagrams

RDL06, RNL06



Single Pole



3-Way

Ordering Information

Cat. No.	Description	Rating	Color*
RDL06-10	Push-ON/Push-OFF Universal Dimmer, single pole or 3-way	600W Incandescent 150W LED, CFL	Z
RNL06-10	Rotary ON/OFF Universal Dimmer, single pole	600W Incandescent 150W LED, CFL	Z
6639-10	Quiet Fan Speed Control	1.5A	Z
6616-1X	Fan Speed Control with Low Speed Trim Adjuster	5A	W, I
26115	Dimmer Knob	-	W, I, T, E, B

* Trimatron Rotary Controls come packaged with three colors: Products with suffix (-Z) include White, Ivory and Light Almond knobs. Additional knobs are available in the following colors: White (-W), Ivory (-I), Light Almond (-T), Black (-E) and Brown (-B).



Leviton Manufacturing Co., Inc. World Headquarters

201 North Service Road, Melville, NY 11747-3138
 Telephone: 1-800-323-8920 FAX: 1-800-832-9538
 Tech Line (8:30AM-7:00PM E.T. Monday-Friday): 1-800-824-3005

Visit our Website at: www.leviton.com

© 2017 Leviton Manufacturing Co., Inc. All rights reserved.

