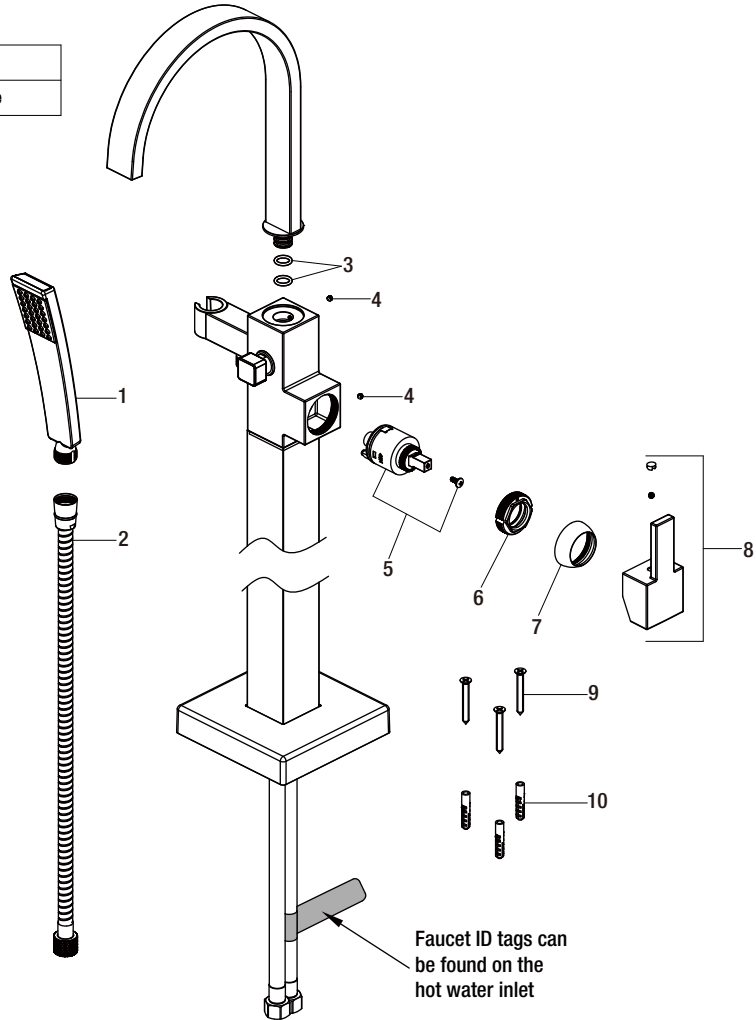


Floor Mounted Tub Filler in Chrome

MODEL	SKU #	FINISH
HD67522X-5201	304685562	Chrome



Many replacement parts can be purchased online or at your local store. Please use the table below to identify the part SKU number needed, go to [HOMEDEPOT.COM](http://HOMEDEPOT.COM), and check for online and store availability. If you can't find the part you are looking for, please call 1-855-HD-GLACIER.

Part	Description	Part #	Internet SKU #	Store SKU #
1	Shower head	RP3834801		
2	Shower hose	RP38236		
3	O-ring	RP60107		
4	Set screw	RP50002		
5	Cartridge & Screw	RP20097		

Part	Description	Part #	Internet SKU #	Store SKU #
6	Bonnet	RP70015		
7	Cap	RP8000801		
8	Handle assembly	RP1354501		
9	Screw	RP50037		
10	Anchor	RP50036		