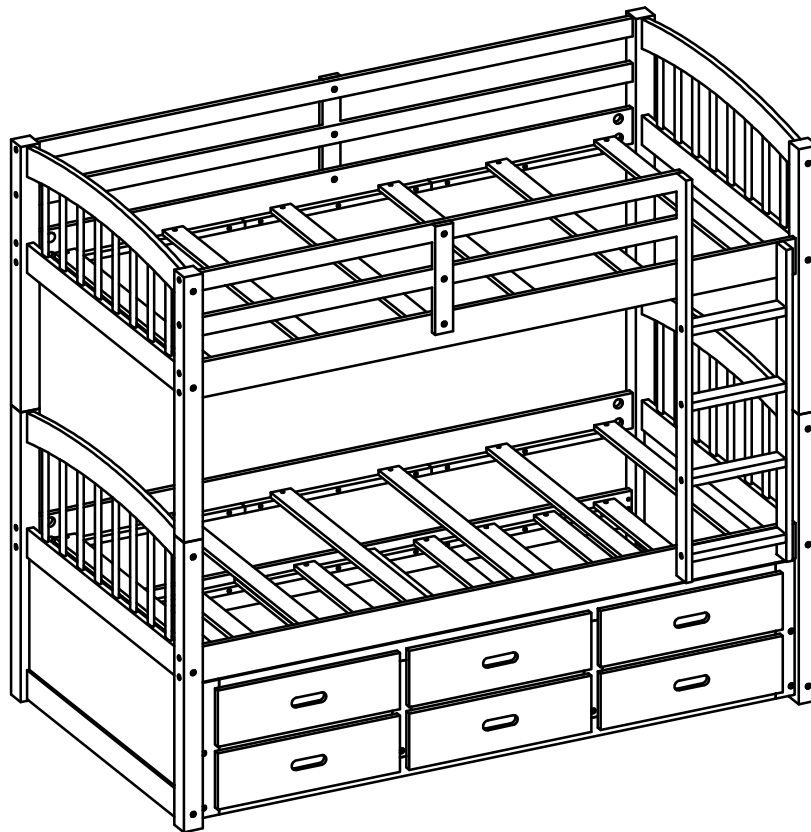


ASSEMBLY INSTRUCTION

1





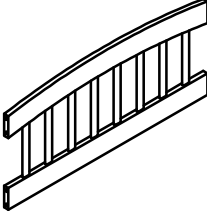
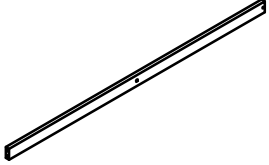
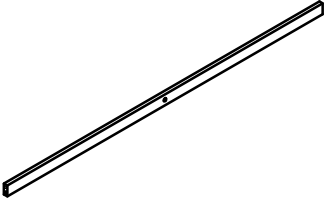

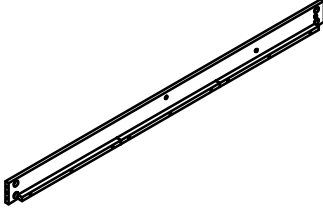
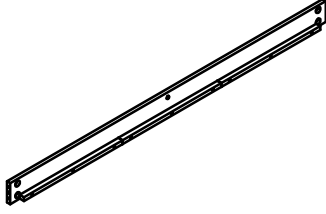

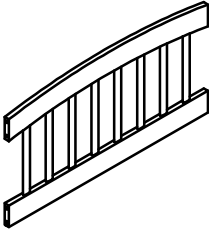
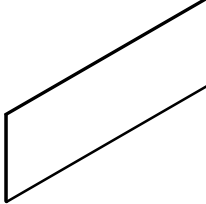

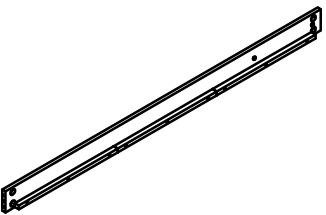
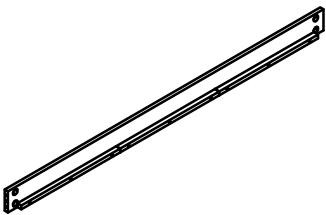


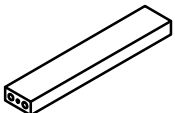
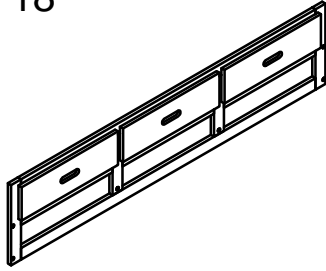
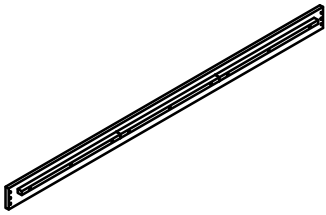
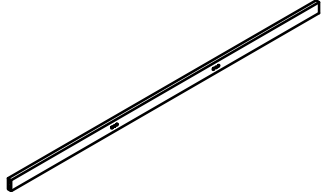
SAFETY WARNINGS

1. Follow the information on the warning label appearing on the upper bunk end structure and on the carton... Do not remove warning label from bed.
2. Always use the recommended size mattress or mattress support, or both, to help prevent the likelihood of entrapment or falls.
3. Surface of mattress must be at least 5 inches below the upper edge of guard rails.
4. Do not allow children under 6 years to use the upper bunk.
5. Prohibit more than one person on upper bunk.
6. Periodically check and ensure that the guardrail, ladder, and other components are in their proper position, free from damage, and that all connectors are tight.
7. Do not allow horseplay on or under the bed and prohibit jumping on the bed.
8. Always use the ladder for entering and leaving upper bunk.
9. Do not use substitute part. Contact the manufacturer or dealer for replacement part.
10. Use of night light may provide added safety precaution for a child using the upper bunk.
11. If the bunk bed will be placed next to a wall, the guardrail that runs the full length of the bed should be placed against the wall to prevent entrapment between the bed and the wall.
12. Always use guardrail on both long sides of the upper bunk.
13. The use of water or sleep flotation mattresses is prohibited.
14. Keep these instruction for future reference.
15. Strangulation Hazard - Never attach or hang items to any part of the bunk bed that are not designed for use with the bed, for example, but not limited to hooks, belts and jump rores.
16. Trundle : Only use for mattress 6 inch.

PARS LIST & ILLUSTRATION

2

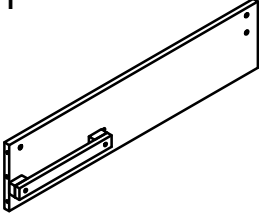
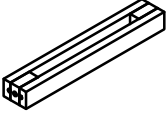
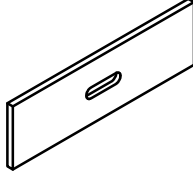
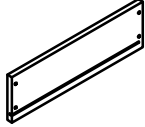
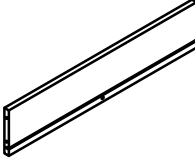
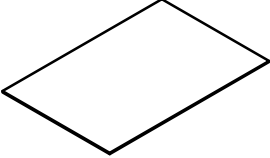
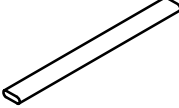
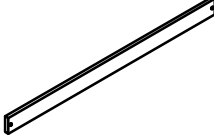
~~ Note : Do Not Fully Tighten Screws until Fully Assembled ~~

<p>1</p>  <p>Upper legs (left-right) 3pcs</p>	<p>2</p>  <p>Upper legs Front right 1pc</p>	<p>3</p>  <p>Upper side panels 2pcs</p>	<p>4</p>  <p>Front guard rails 2pcs</p>
<p>5</p>  <p>Rear guard rails 2pcs</p>	<p>6</p>  <p>Guard rail supports 2pcs</p>	<p>7</p>  <p>Upper front side rail 1pc</p>	<p>8</p>  <p>Upper back side rail 1pc</p>
<p>9</p>  <p>Below legs (left-right) 4pcs</p>	<p>10</p>  <p>Below side panels 2pcs</p>	<p>11</p>  <p>Below panels 2pcs</p>	<p>12</p>  <p>Bottom bar 2pcs</p>
<p>13</p>  <p>Lower front side rail 1pc</p>	<p>14</p>  <p>Lower back side rail 1pc</p>	<p>15</p>  <p>Ladder left side rail 1pc</p>	<p>16</p>  <p>Ladder Right side rail 1pc</p>
<p>17</p>  <p>Step 4pcs</p>	<p>18</p>  <p>Trundle front panel 1pc</p>	<p>19</p>  <p>Trundle back panel 1pc</p>	<p>20</p>  <p>Long wooden bar 1pc</p>

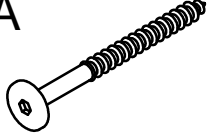
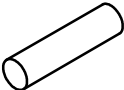
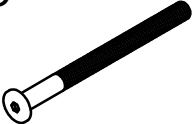
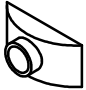


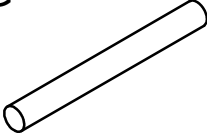
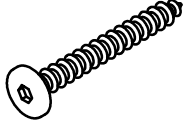






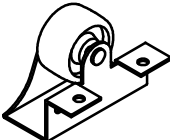

PARS LIST & ILLUSTRATION

3

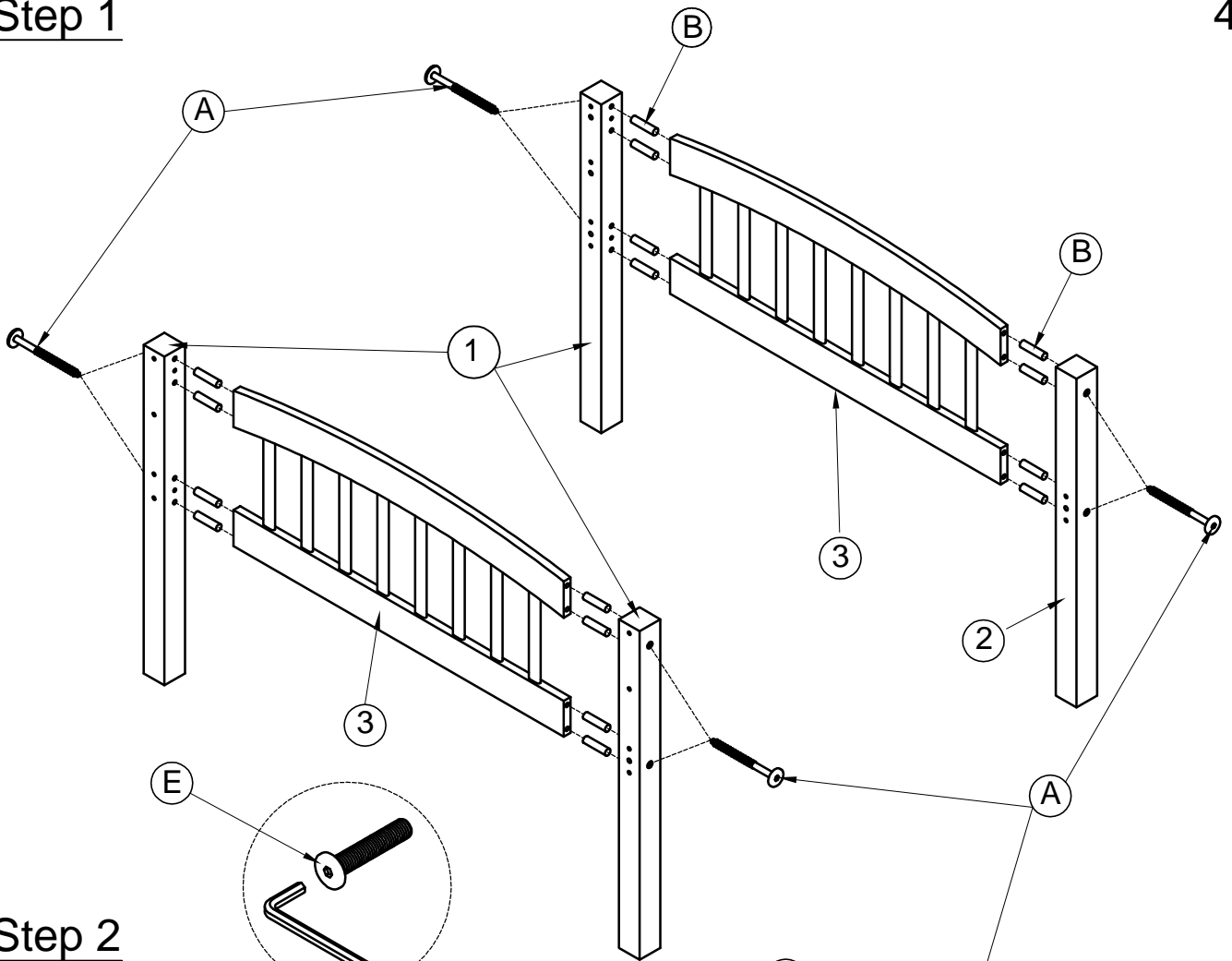
~~ Note : Do Not Fully Tighten Screws until Fully Assembled ~~

<p>21</p>  <p>Trundle (left-right) side panel 2pcs</p>	<p>22</p>  <p>Short wooden bars 2pcs</p>	<p>23</p>  <p>Drawer front panels 3pcs</p>	<p>24</p>  <p>Drawer (left-right) 6pcs</p>
<p>25</p>  <p>Drawer rear 3pcs</p>	<p>26</p>  <p>Drawer bottom panels 3pcs</p>	<p>27</p>  <p>Drawer Support bottom 3pcs</p>	<p>28</p>  <p>Slats 22pcs</p>

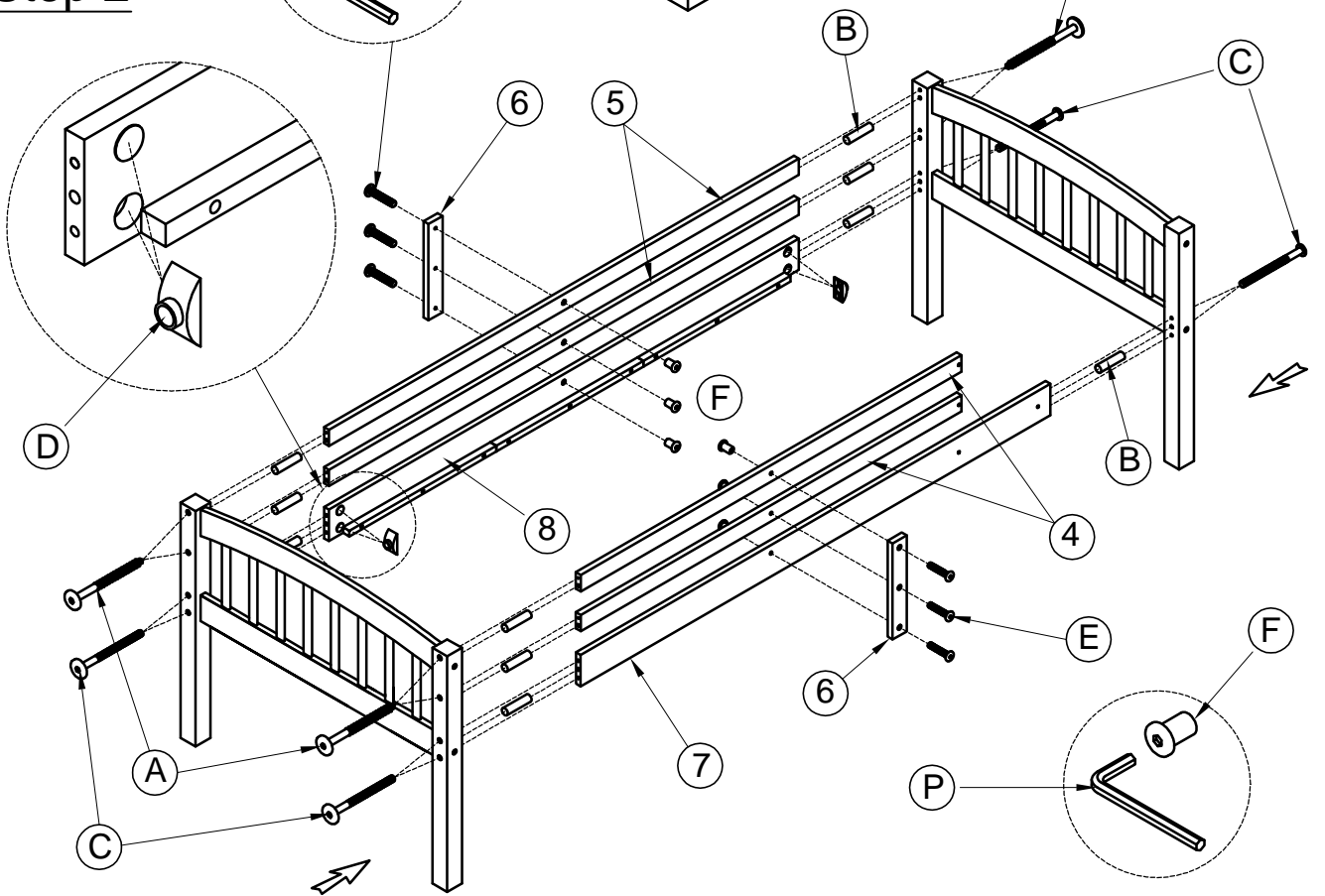
HARDWARE & ILLUSTRATION

				<p>A</p>  <p>Ø1/4" x 100 mm Hexagonal bolts catch wood 26pcs</p>
<p>B</p>  <p>Ø10 x 40 mm Wood dowel 70pcs</p>	<p>C</p>  <p>Ø1/4" x 100 mm Hex-Head bolts 16pcs</p>	<p>D</p>  <p>Half Moon 16pcs</p>	<p>E</p>  <p>Ø1/4" x 25 mm Hex-Head bolts 6pcs</p>	<p>F</p>  <p>Ø1/4" x 18 mm Canopy head though 6pcs</p>
<p>G</p>  <p>Ø12 x 110 mm Wood dowel 4pcs</p>	<p>H</p>  <p>Ø1/4" x 50 mm Hexagonal bolts catch wood 10pcs</p>	<p>I</p>  <p>Ø1/4" x 35 mm Hex-Head bolts 10pcs</p>	<p>J</p>  <p>Ø8 x 30 mm Wood dowel 16pcs</p>	<p>K</p>  <p>Ø1/4" x 70 mm Hex-Head bolts 8pcs</p>
<p>L</p>  <p>Ø1/4" x 13 mm Horizontal-Hole bolts 8pcs</p>	<p>M</p>  <p>Ø8 x 30 mm Wood Screws 71pcs</p>	<p>N</p>  <p>Ø6 x 20 mm Wood Screws 8pcs</p>	<p>O</p>  <p>Wheels 4pcs</p>	<p>P</p>  <p>Allen Key 1pc</p>

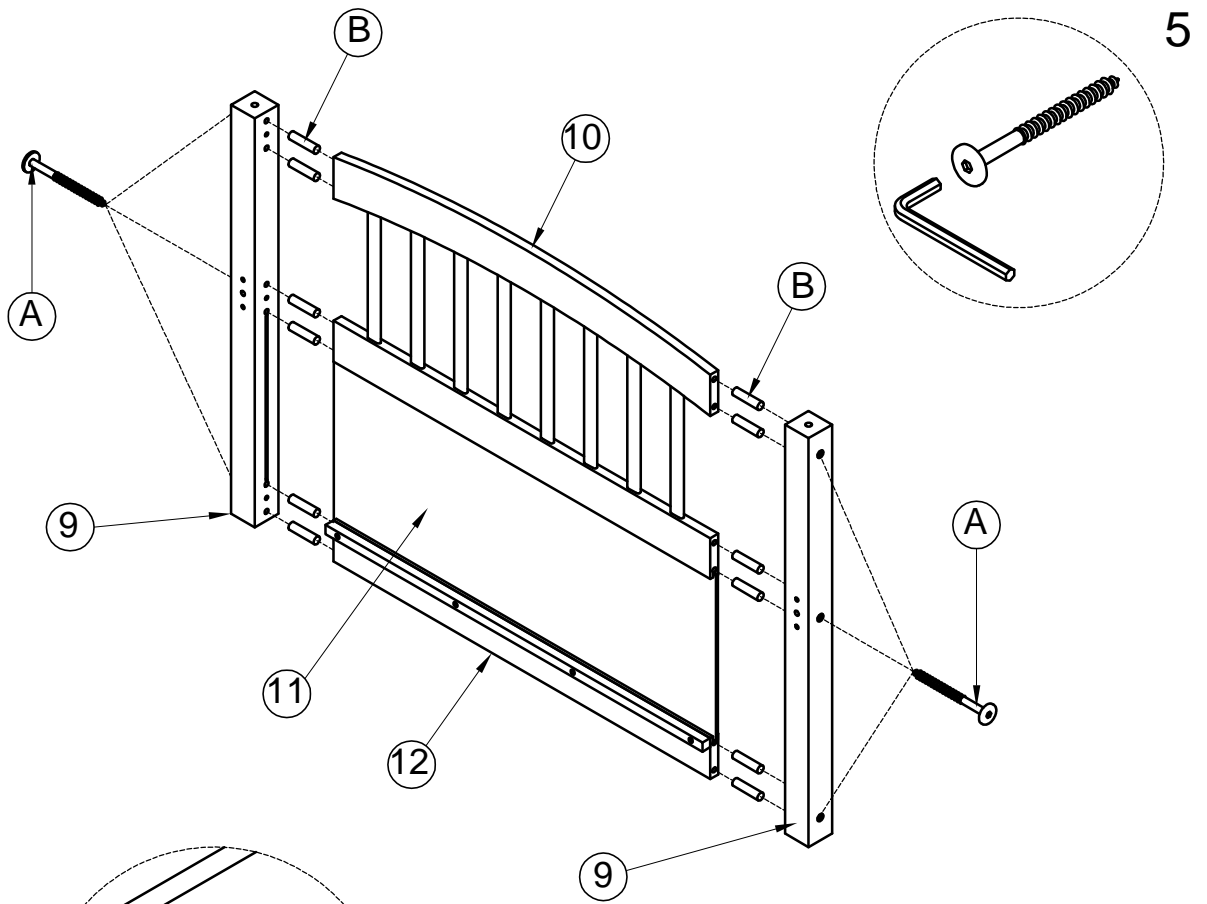
Step 1



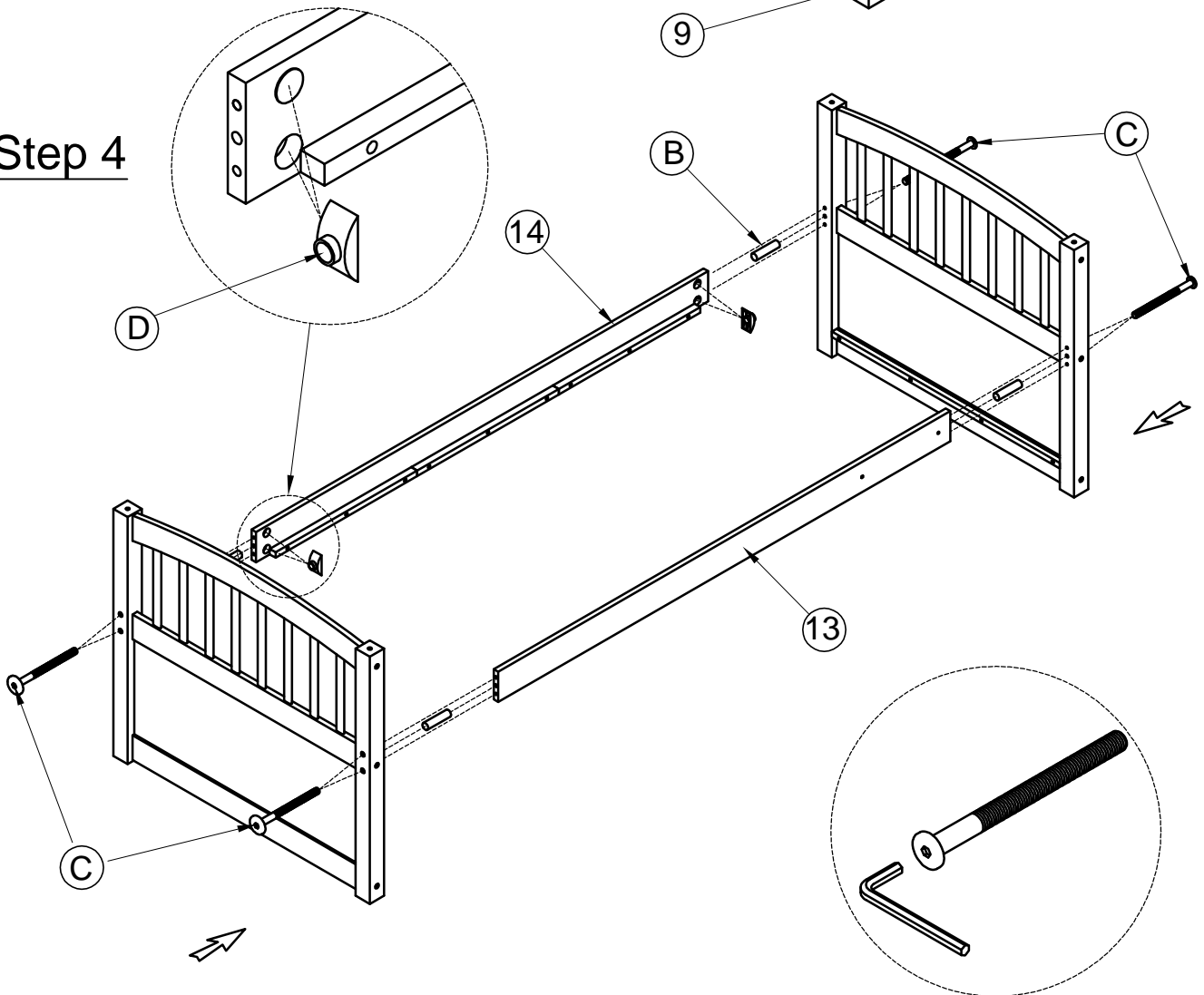
Step 2

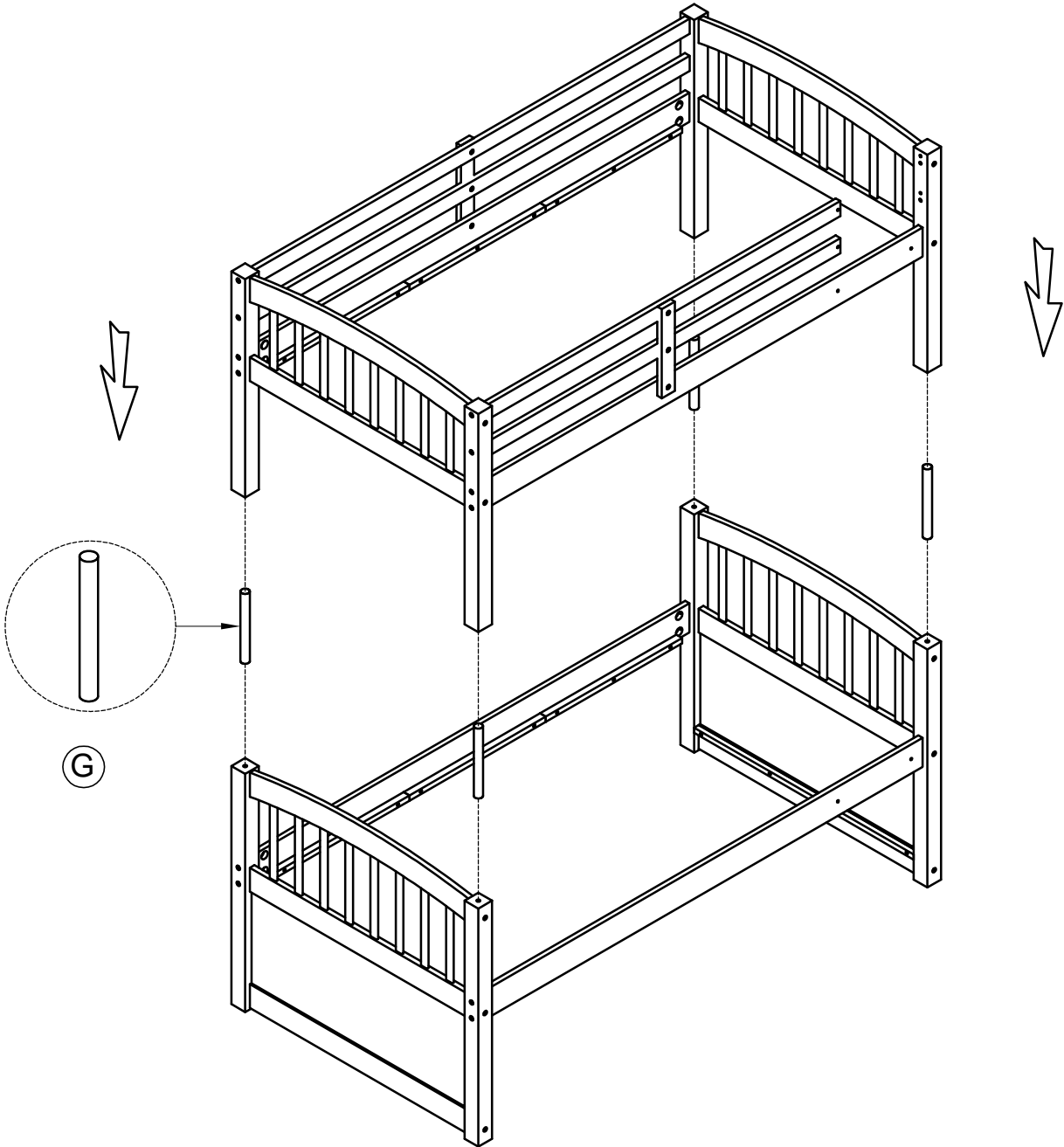


Step 3

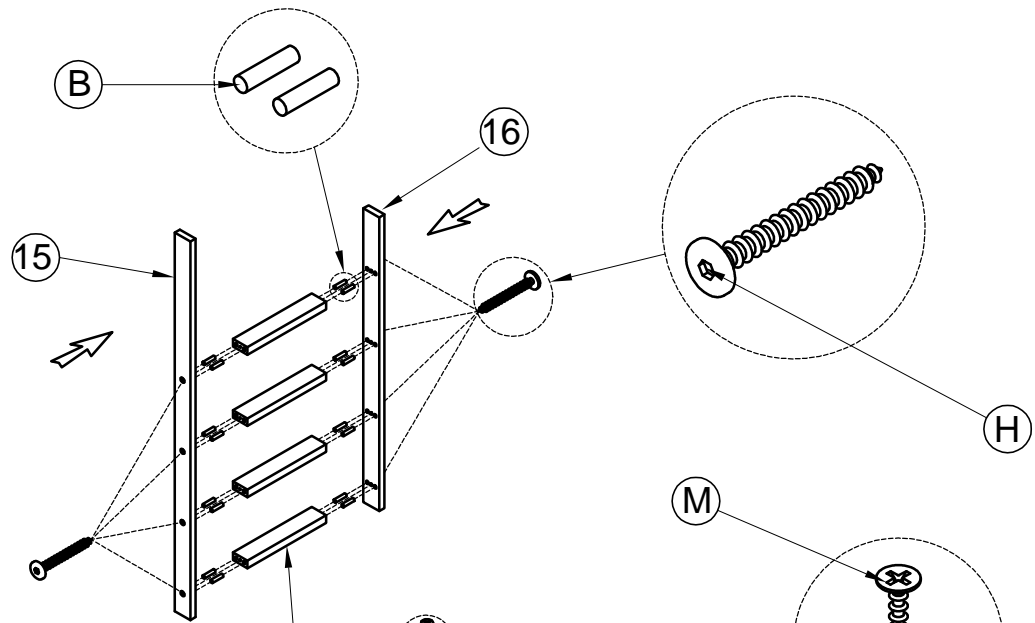


Step 4

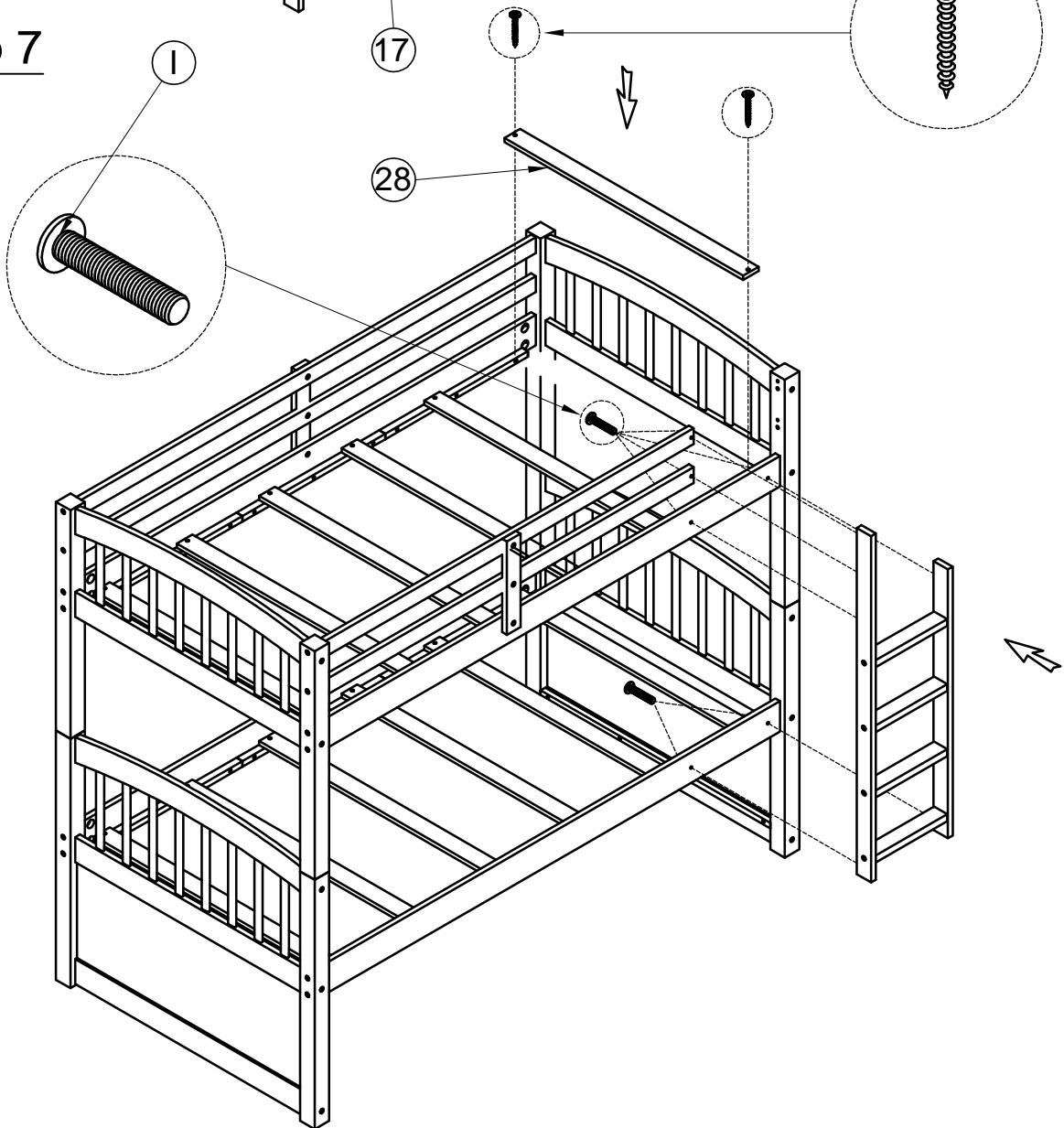




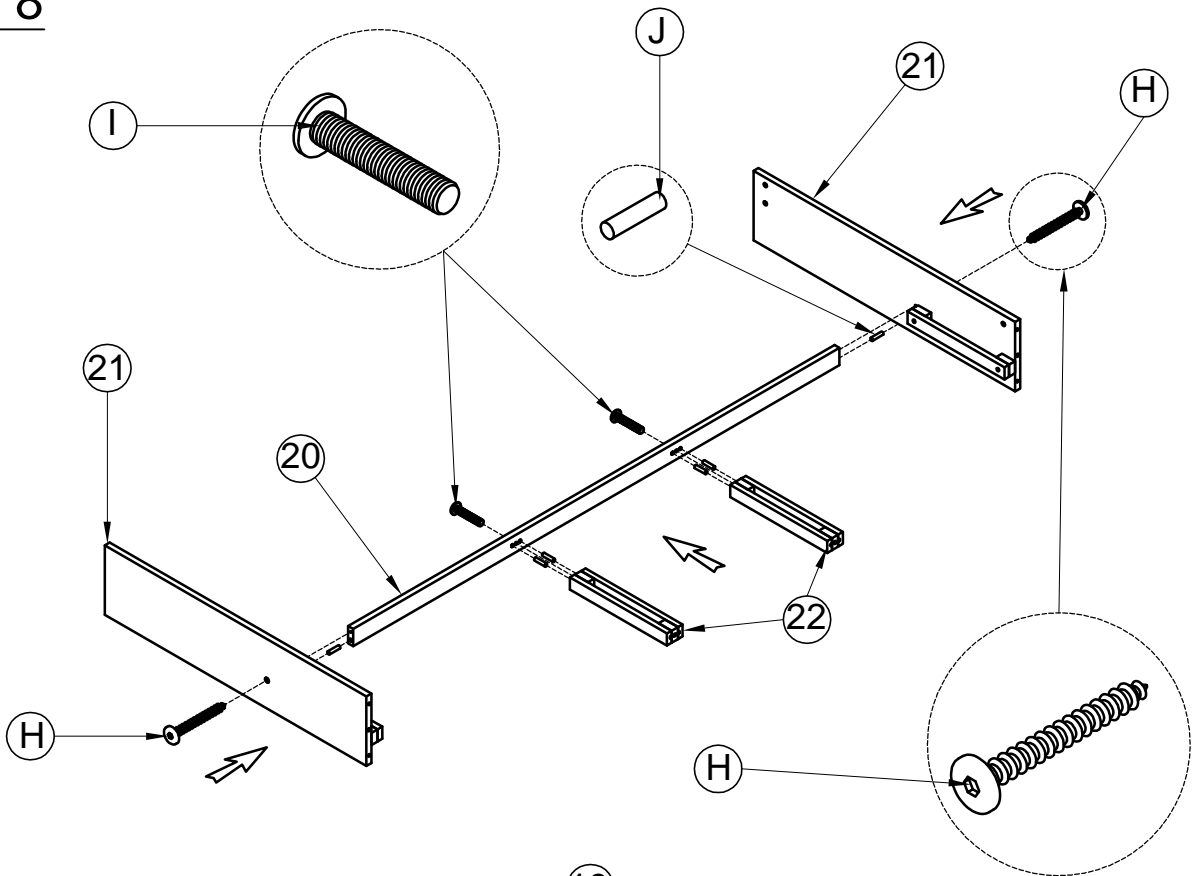
Step 6



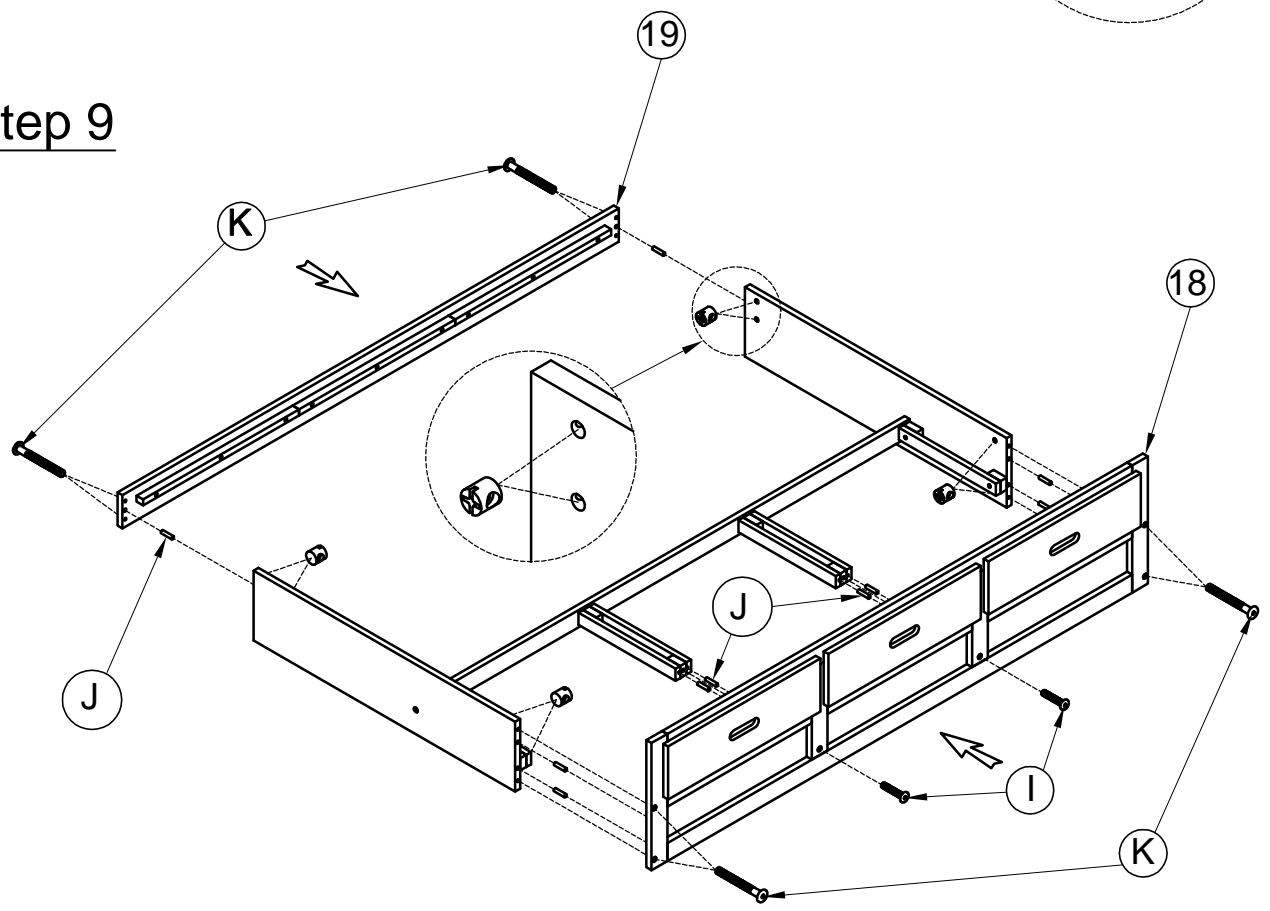
Step 7



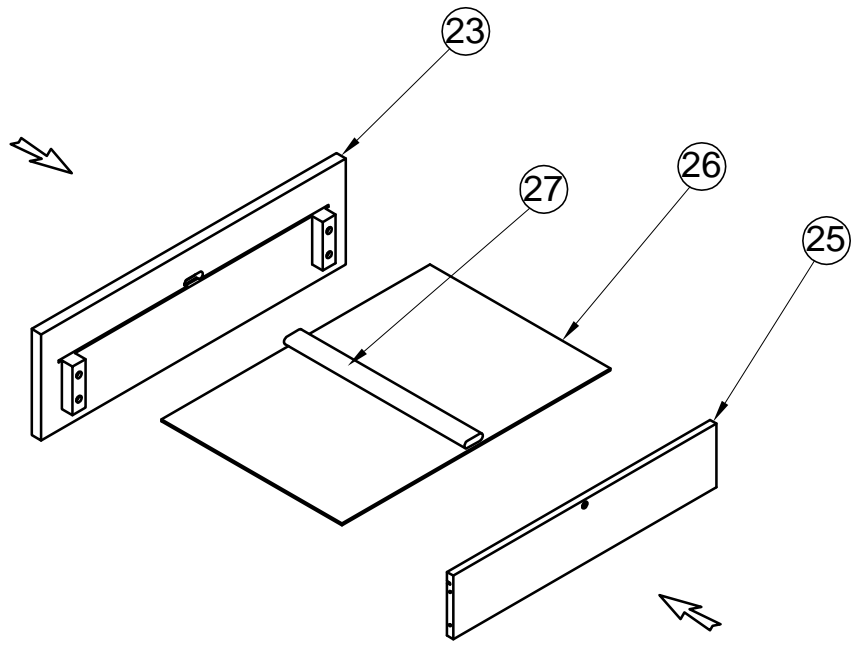
Step 8



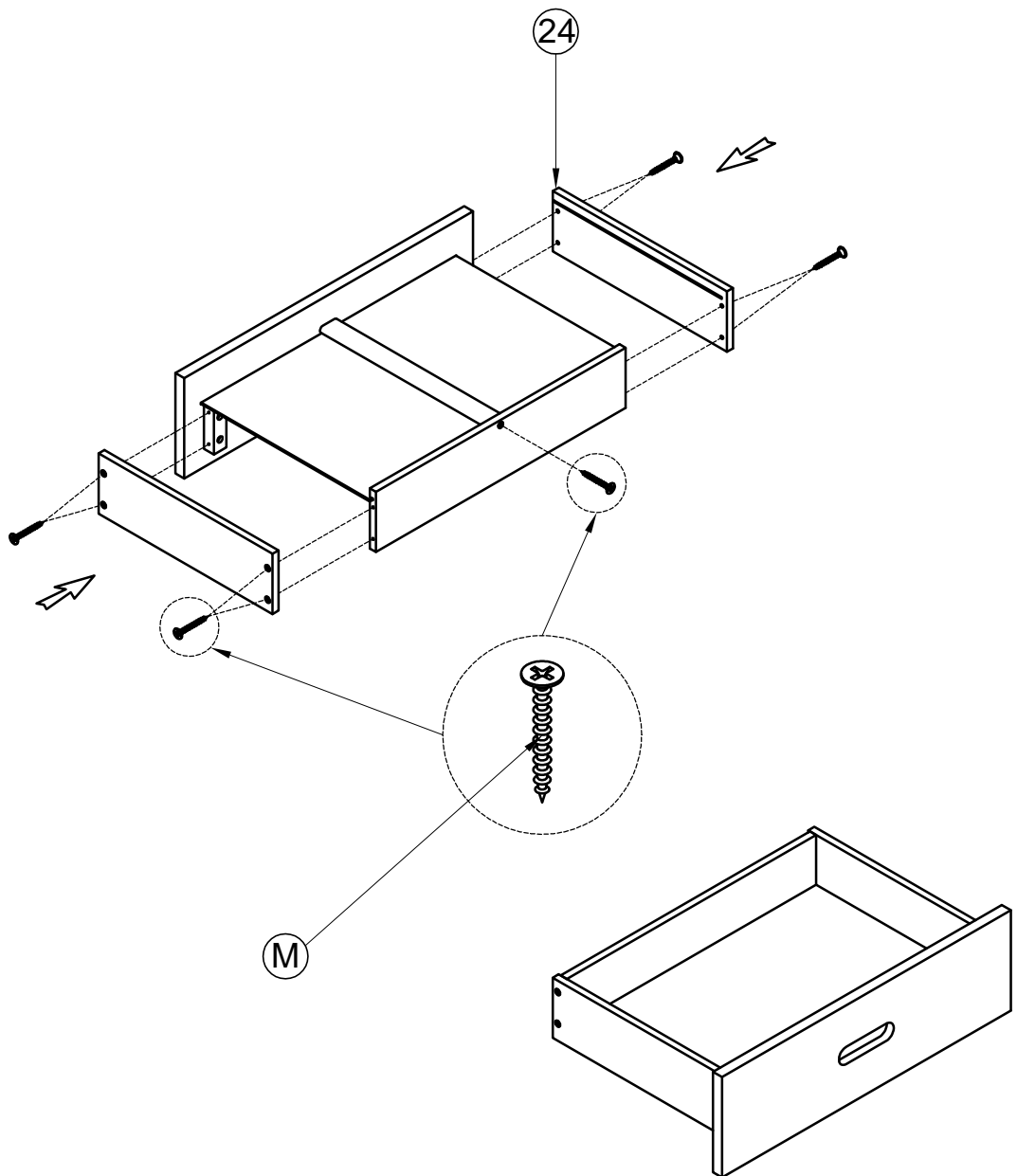
Step 9



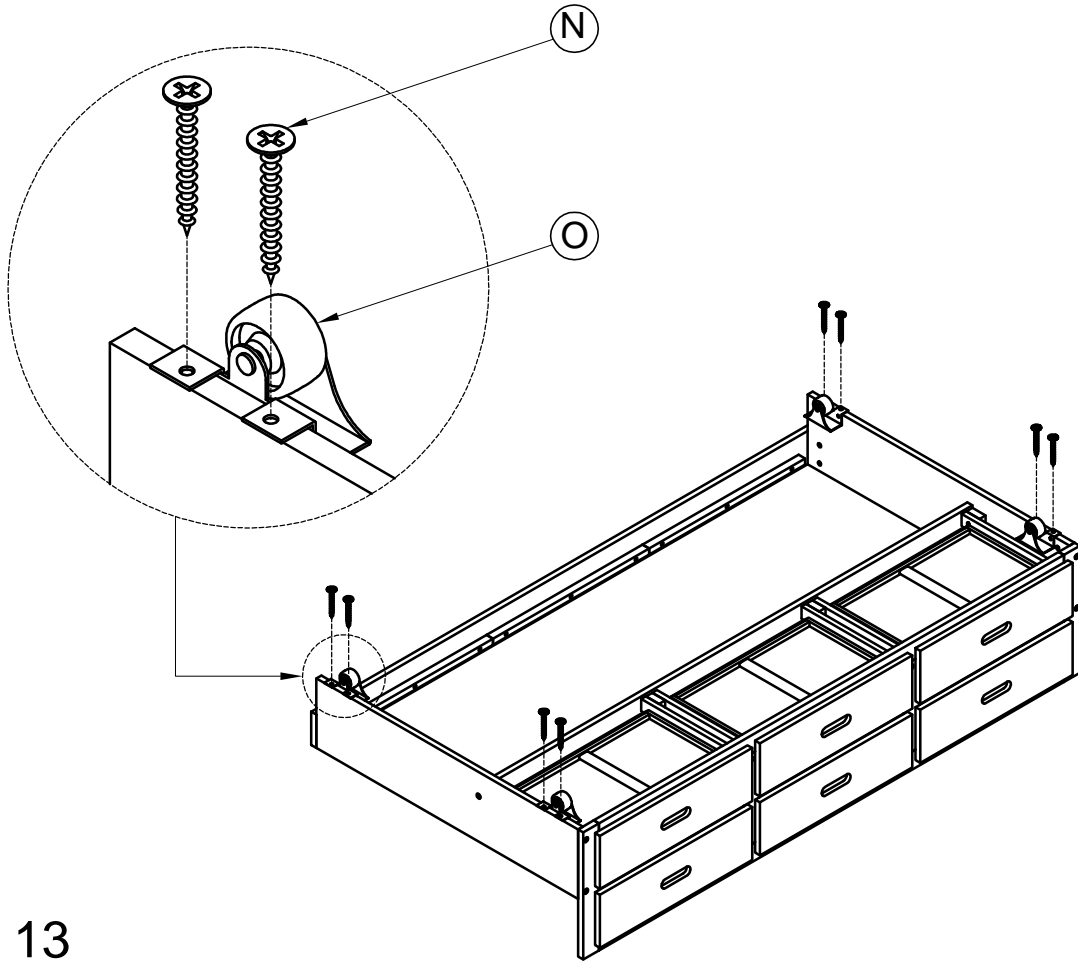
Step 10



Step 11



Step 12



Step 13

