

# Jackson Single Bowl Drop-In Fireclay Kitchen Sink

SINKOLOGY®

**Model #SK411-33FC-WH**

**32" x 22" x 9"**

## Features

- + The Jackson is designed for easy renovation. The drop-in installation style offers a straightforward replacement option so you can quickly and effortlessly upgrade your kitchen's appeal with a bright, beautiful fireclay sink.
- + As part of the CLARIFY Collection, the Jackson fireclay kitchen sink offers drop-in design for effortless installation and in-and-out replacement to keep home renovation fun.
- + Sinkology's SureFire® fired-on glaze serves as an extra-thick protective shield for your fireclay sink and a high-shine finish for ultimate beauty.
- + Our crisp white fireclay material is hand-selected as the perfect combination of durability, density, beauty, and functionality.
- + Guaranteed to not chip, crack, stain, or rust, and we back that promise with our exclusive Sinkology Everyday Promise® Lifetime Warranty.



#SK411-33FC-WH

*\*Sinks are individually handcrafted, sizes may vary slightly*

## Product Pairing Suggestions

### Kitchen Sink Basket Strainer Drain

Antique Copper #TB35-01, Stainless #TB35-03

### Kitchen Sink ISE Disposal Flange

Antique Copper #TD35-01, Stainless #TD35-03

### Kitchen Sink Bottom Grid

Wren Stainless Steel Grid #SG008-27ST

Johnson Antique Brown Grid #SG004-27

GridLogic Stainless Steel #SGL-PLT-ST

GridLogic Antique Brown #SGL-PLT

### Fireclay Care IQ™ Kit

#SARMOR-401

## About Sinkology

At Sinkology, we are on a mission to make unique, high-quality kitchen, bath and home décor products that inspire real people to find beauty in their homes and lives.

We believe that every project and every budget is worthy of beautiful products designed to last a lifetime—and that with the right information, every house can become the home of your dreams.

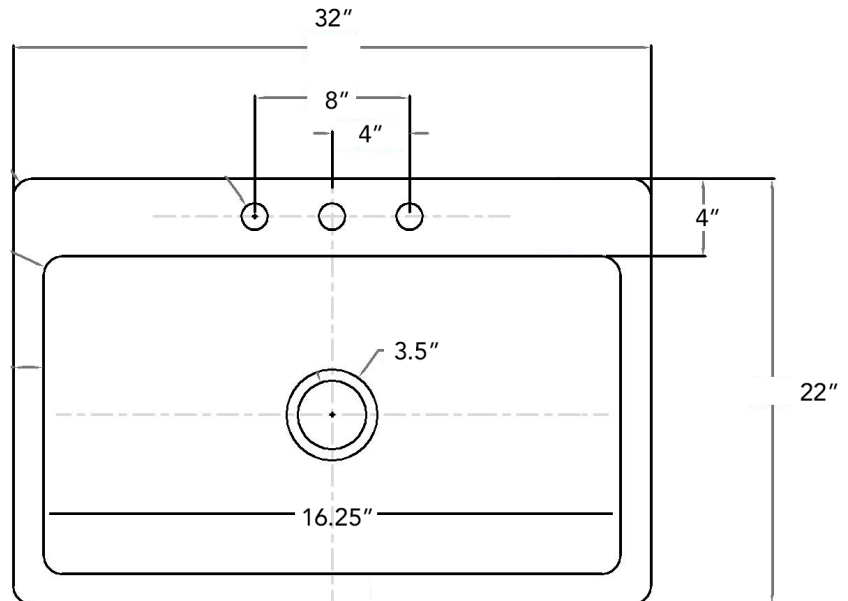
SINKOLOGY.COM

# Jackson Single Bowl Drop-In Fireclay Kitchen Sink

SINKOLOGY®

## Technical Specifications

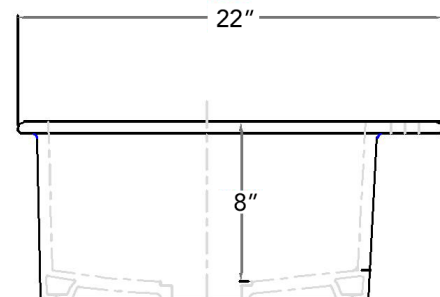
- + Outer - 32" x 22" x 9"
- + Inner - 30" x 16.25" x 8"
- + Weight - 75 lbs
- + Drain - 3.5" diameter
- + Cabinet Size - 36" minimum



TOP VIEW



FRONT VIEW



SIDE VIEW

## Lifetime Warranty

All Sinkology products come with a lifetime warranty. You won't need it, but it's there.



CustomerService@Sinkology.com | 866.915.3003