

XH2500

Electric Pressure Washer



BLUE
CLEAN®

ASSEMBLY, CARE AND USE INSTRUCTIONS Model XH2500 2500 PSI

**IMPORTANT, RETAIN FOR FUTURE
REFERENCE: READ CAREFULLY.**

ATTACH RECEIPT TO MANUAL

- Quick-connect 15°, 25°
- Quick-connect rotary turbo nozzle
- High pressure foam cannon
- Total stop system



PRODUCT INFORMATION

! WARNING: This product can expose you to chemicals including lead, DEHP, DINP, Molybdenum trioxide which is known to the State of California to cause cancer and or lead to birth defects. For more information go to www.P65Warnings.ca.gov

Questions, problems, missing parts?

Before returning to your retailer, please contact our Customer Service Department:
For English, call 1-888-662-9510 or email info@arnorthamerica.com.

For French or Spanish, please email info@arnorthamerica.com
Our Customer Service Department is available from 8:00 a.m. - 5:00 p.m., CST, Monday - Friday. www.arblueclean.com

THANK YOU LETTER

Dear Valued Customer,

Thank you for choosing the AR Blue Clean electric pressure washer. We're thrilled to welcome you to the AR Blue Clean family!

This product represents over **35 years** of listening to our customers and continuously improving based on your feedback. Every feature has been thoughtfully designed to deliver powerful performance, reliability, and ease of use—so you can tackle your cleaning tasks with confidence.

Your pressure washer is backed by our **Limited 2-Years Warranty**, which covers defects in materials and workmanship for the original retail purchaser. Accessories—including the spray gun, high-pressure hose, and all included attachments—are covered under a **90-day warranty**. This warranty applies to residential and commercial use for our Pro models only, and is non-transferable.

If you have any questions or need assistance, our friendly, U.S.-based customer service team in Fridley, MN is here to help. You can reach us at **866-235-5112** or visit **ARBLUECLEAN.COM** to chat or email us directly.

We'd love to hear about your experience! Please take a moment to leave a review at the place of purchase. Your feedback helps us improve and helps others make informed decisions.

Thank you again—and happy cleaning!



Warm regards,

AR Blue Clean Team

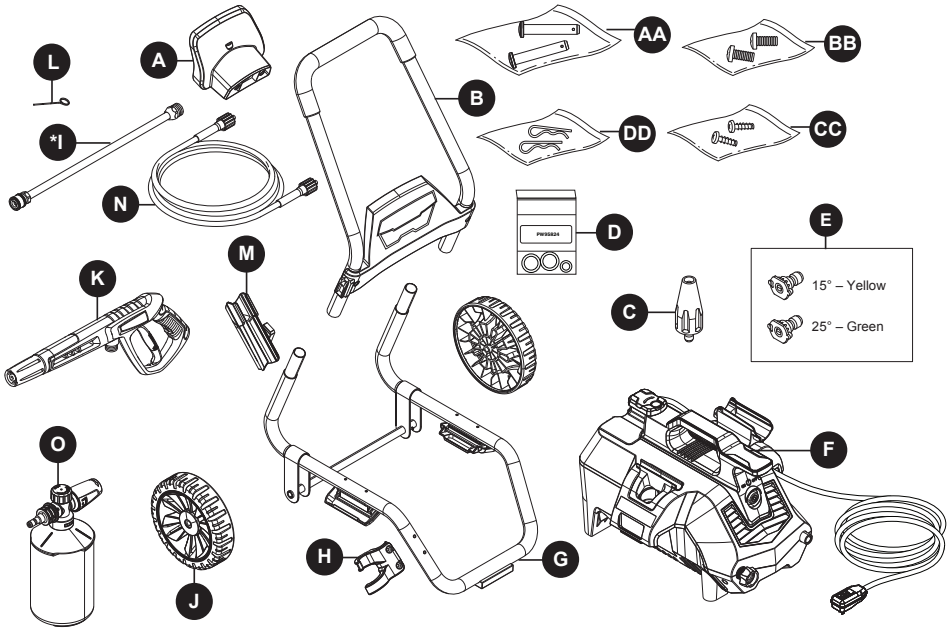
TABLE OF CONTENTS

Product Specifications.....	3
Package Contents	4
Hardware Contents	4
Safety Information.....	5
Assembly Instructions.....	7
Operating Instructions	12
Care and Maintenance.....	14
Pump Saver.....	16
Troubleshooting.....	17
Limited Warranty	18
Replacement Parts List.....	19

PRODUCT SPECIFICATIONS

SPECIFICATIONS									
Model	Max PSI (lbs/sq. in.)	Rated PSI (lbs/sq. in.)	Max GPM (Gal/per min)	Rated GPM (Gal/per min)	Cold Water	Volts	Frequency (Hz)	Amps	Weight (lbs.)
XH2500	2500	2000	1.7	1.1	✓	120	60	13	30

PACKAGE CONTENTS

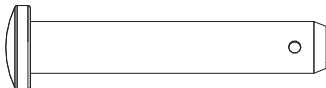


PART	DESCRIPTION	QUANTITY
A	Hose Holder	1
B	Handle	1
C	Rotary Nozzle	1
D	O-Ring Replacement Kit	1
E	Quick Connect Nozzles	2
F	Power Washer Unit	1
G	Lower Frame	1
H	Nozzle Holder	1
*I	Extension Lance	1
J	Wheels	2

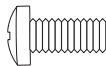
PART	DESCRIPTION	QUANTITY
K	Spray Gun	1
L	Nozzle Cleaning Wire	1
M	Spray Gun Holster	1
N	High Pressure Hose	1
O	High Pressure Foam Cannon	1
AA	Axle Pins	2
BB	Screws	2
CC	Screws	2
DD	Cotter Pins	2

*Packaged on the power washer unit.

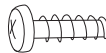
HARDWARE CONTENTS



AA Φ 12x65mm
Axle Pins
Qty. 2



BB M6x20
Screws
Qty. 2



CC 4.8x16mm
Screws
Qty. 2



DD Φ 2.5
Cotter Pins
Qty. 2

SAFETY INFORMATION

Please read and understand this entire manual before attempting to assemble and operate the product.

This manual contains information that relates to PROTECTING PERSONAL SAFETY and PREVENTING EQUIPMENT PROBLEMS. It is very important to read this manual carefully and understand it thoroughly before using the product. The symbols listed below are used to indicate this information.



DANGER

Potential hazard that **will result in serious injury or loss of life.**



WARNING

Hazard that **could result in serious injury or loss of life.**



CAUTION

Potential hazard that **may result in moderate injury or damage to equipment.**

Note: The word “Note” is used to inform the reader of something the operator needs to know about the tool.



WARNING

To reduce the risk of injury, the user must read and understand the instructions before using this product.

- Warning – When using this product, basic precautions should always be followed, including the following.
- Read all the instructions before using the product.
- Know how to stop the product and bleed pressures quickly. Be thoroughly familiar with the controls.
- Keep operating area clear of persons.
- Do not overreach or stand on unstable support. Keep good footing and balance at all times.
- Follow the maintenance instructions as specified in the manual.
- To avoid personal injury and/or damage to property and to maximize your power washer experience, carefully follow all of the safety tips, instructions, warnings and safeguards and become familiar with all of the controls. Be sure you know how to quickly bleed off the pressure from all parts of your power washer and how to turn off the power washer.
- This power washer conforms to CSA and other safety and consumer standards. **DO NOT** modify or rebuild any part of your power washer.
- DO NOT** use your power washer when you are under the influence of alcohol or drugs. Use this power tool carefully and only when you are alert.
- Watch your balance and footing while using your power washer. Surfaces become slippery when wet and are extra slippery when using a detergent or cleaner.
- NEVER** operate the power washer in bare feet, sandals, or open-toed shoes.
- When using the power washer near children, make sure they are closely supervised by an adult to avoid injury. **NEVER** let a child use the power washer.
- Keep fingers, hands, feet and any part of your body clear of the stream of high pressure water. The powerful spray can cause blindness or blast holes in the skin. It can break a window if you are too close when you pull the trigger on the spray gun.
- ALWAYS** wear eye protection to prevent injury to eyes when operating the power washer.
- To avoid mishaps or injury, **ALWAYS** use the trigger safety lock when not using the power washer even if only stopping briefly.
- The power washer is equipped with a Ground Fault Circuit Interrupter (GFCI) (For US unit only) which greatly reduces the chance of electric shock while the unit is in use. If replacement of the plug or cord is needed, use only identical replacement parts.
- Point the spray gun in a safe direction when beginning a power washer session.
- Warning- **NEVER** spray directly at a person, animal, electrical device or the unit itself.
- When first using the spray gun, hold the spray gun and lance with two hands when pulling the trigger (one hand to pull the trigger and the other to stabilize the gun assembly) until you get used to the “kickback” from the spray gun.
- When you press the power switch to turn off the power washer, waterpressure may remain in the system. To discharge the pressure, point the spray gun in a safe direction and pull the trigger.
- NEVER** spray flammable liquids.
- NEVER** use the power washer in areas that contain combustible dust, liquids or vapors.
- Avoid contact of the pressure hose with sharp objects and examine the hose regularly. Replace if damaged. Due to the high pressure involved, it cannot be repaired if cut or damaged.
- Only use detergent specifically formulated for power washers and follow instructions on

SAFETY INFORMATION

the detergent's label. Dish or laundry soap is too thick and will clog the nozzle of your foam cannon.

25. Protect eyes, lungs, and skin from exposure to detergent.
26. Warning-If connection is made to a potable water system, the system should be protected against backflow.



CAUTION

Store the power washer indoors to prevent the water in the unit from expanding under freezing conditions. When the water freezes and expands, your power washer will be damaged and become inoperable. Or, if storing outdoors, it is recommended you use pump saver (not included) to protect pumps.

27. **NEVER** use hot water with your power washer. It will overheat and damage the high pressure pump.
28. **NEVER** leave the power washer unattended while it is powered "ON".
29. **ALWAYS** turn the water supply on before turning the power washer power to on. Running the pump dry will cause damage to the internal components.
30. **NEVER** use a water supply to your power washer that exceeds 150 PSI maximum.
31. **NEVER** disconnect the high pressure hose from the power washer while the system is pressurized.
32. **NEVER** permanently engage the trigger mechanism on the spray gun.
33. **NEVER** operate the power washer unless all components are properly and securely connected.
34. **NEVER** allow the power washer pump to run for more than one minute after you have turned off the water supply. This can cause the motor and pump to overheat and fail.
35. **NEVER** use lances or other parts that are not compatible for this specific AR Blue Clean unit.
36. **NEVER** use an extension power cord since it defeats the effectiveness of the GFCI (For US unit only) and increases the chance of electrocuting the operator.
37. **NEVER** spray any electrical outlet with your power washer.
38. Inspect the power cord before using. **DO NOT** use it if it is damaged.
39. Stay alert - watch what you are doing.

KEEP THESE INSTRUCTIONS FOR FUTURE REFERENCE.

Servicing of a Double-Insulated Appliance

Double-Insulated Appliance & GFCI Protection (U.S. Models Only)

This pressure washer is equipped with a Ground Fault Circuit Interrupter (GFCI) built into the power cord plug. It provides added protection against electric shock and includes an automatic detection feature to ensure it's working properly.

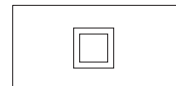
IMPORTANT: If the plug or cord needs replacement, use only identical parts that include GFCI protection.

This unit is a double-insulated appliance, meaning it has two layers of insulation and does not require a ground connection. Do not attempt to ground the unit or modify it to add grounding.

Servicing Warning:

Double-insulated products must be serviced only by qualified personnel. Use only original replacement parts marked for double insulation.

Look for the label "Double Insulated" or the following symbol to identify this feature:



Double Insulated Product

Note: See page 12 for operating instructions.

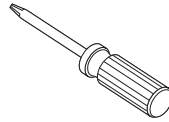
SAFETY INFORMATION

Before beginning assembly of product, make sure all parts are present. Compare parts with package contents list and hardware contents list. If any part is missing or damaged, **DO NOT** attempt to assemble the product.

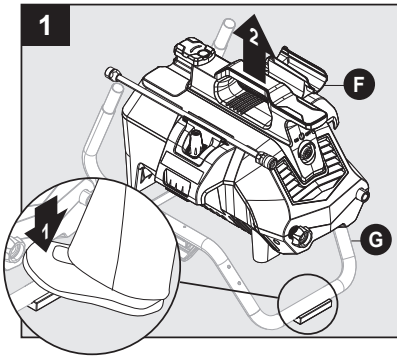
Please call customer service at 1-866-235-5112. Replacement parts will be sent no charge.

Estimated Assembly Time: 5 minutes.

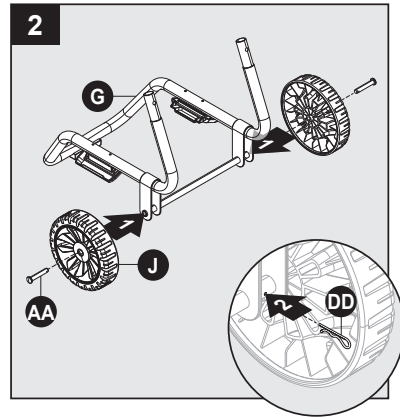
Tools Required for Assembly (not included): Phillips screwdriver.



ASSEMBLY INSTRUCTIONS



Place a foot on the pad at the front of the lower frame (G) and then lift the power washer unit (F) off the frame. Set pressure washer (F) to the side.



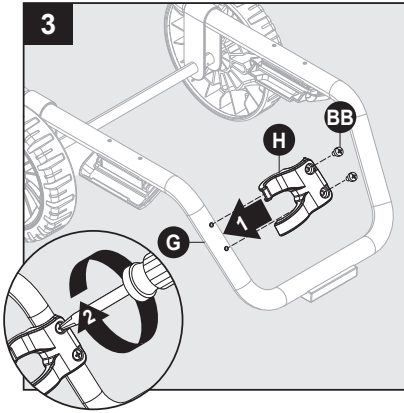
Frame Assembly

Install axle pins (AA) and wheels (J) to lower frame (G). Secure with cotter pins (DD).

Hardware Used:



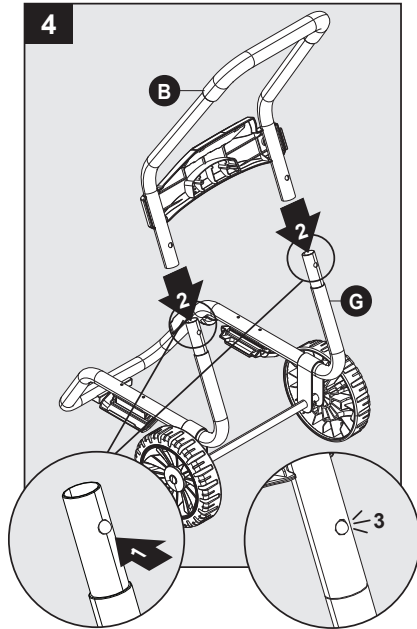
ASSEMBLY INSTRUCTIONS



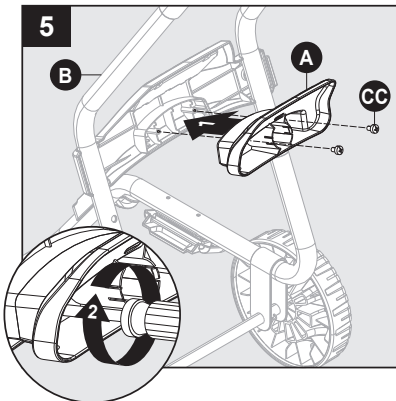
Install nozzle holder (H) to lower frame (G). Secure with two screws (BB).

Hardware Used:

BB Screws  x 2



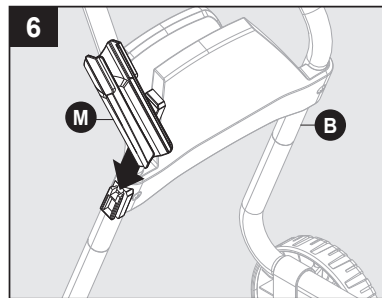
Press buttons on lower frame (G) extensions and install handle (B). Lower frame extensions will click when handle is in proper position.



Install hose holder (A) onto back side of upper handle (B). Secure with two screws (CC).

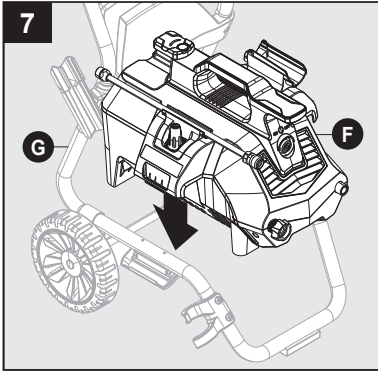
Hardware Used:

CC Screws  x 2

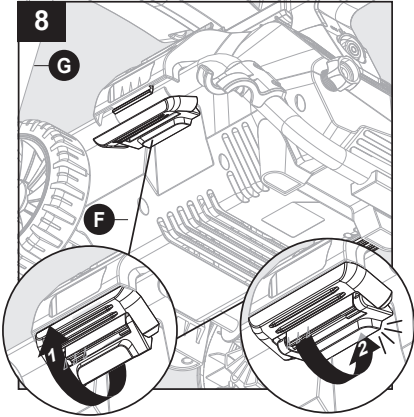


Slide spray gun holster (M) into place on the upper handle (B).

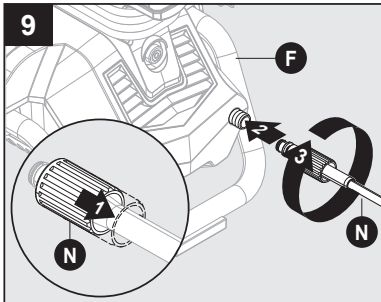
ASSEMBLY INSTRUCTIONS



Place power washer unit (F) into position on the lower frame (G).



Pull upward on latches that are located on sides of lower frame (G). Once upper latch is flush with the lower lip, push down until lower latch clicks into place.

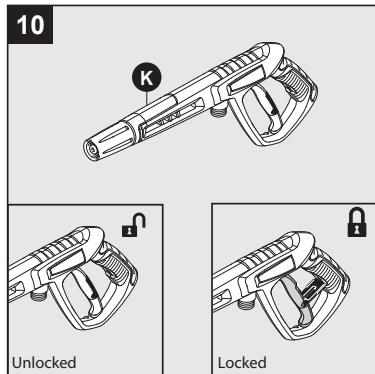


High-Pressure Hose Assembly

Pull back on collar at either end of the high pressure hose (N). Push center-post firmly into outlet pipe on power washer unit (F). Twist collar to secure. Confirm hose is locked into power washer unit by slightly pulling on hose. The hose is now securely attached.

WARNING: Failure to properly tighten the high-pressure hose may cause the hose to slip or disconnect when the unit is turned on. This can result in sudden water discharge or loss of pressure. Always ensure the hose is fully threaded and secure before operation.

Note: **DO NOT** use pliers or locking pliers to tighten.



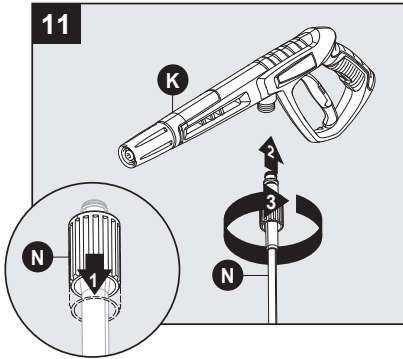
Locking Spray Gun (Before Lance Installation)

To lock trigger of spray gun (K), point gun away from you and fully open trigger lock to lock trigger in place.

Squeeze or pull trigger to make sure it is locked. ALWAYS leave in locked position when not in use. This ensures the gun is in "safe" mode until it is ready for use. Close trigger lock to unlock to release spray gun trigger.

Note: The trigger lock prevents trigger from being accidentally engaged.

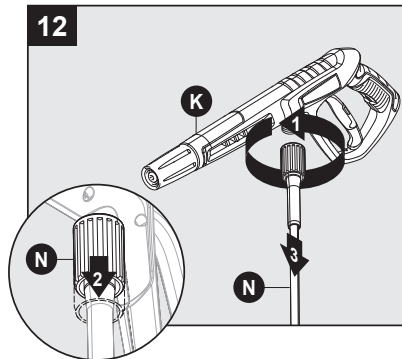
ASSEMBLY INSTRUCTIONS



High-Pressure Hose Assembly

Pull back on collar at other end of the high pressure hose (N). Push center-post firmly into spray gun (K). Twist collar to secure. Confirm hose is locked into spray gun by slightly pulling on them. The hose is now securely attached to spray gun.

Assembly Tip: Apply white lithium grease or silicone grease to O-rings on the spray gun (K) barrel and both ends of high-pressure hose (N) to make connection and disconnection easier!

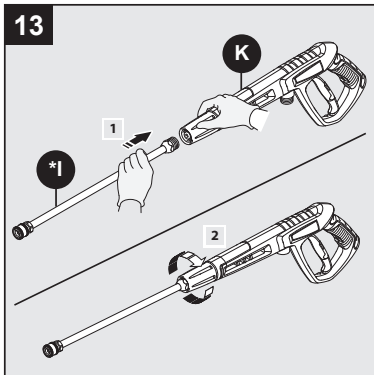


High-Pressure Hose Disassembly

To remove high-pressure hose, twist collar then pull back to release the the high pressure hose (N) connection from the gun (K).

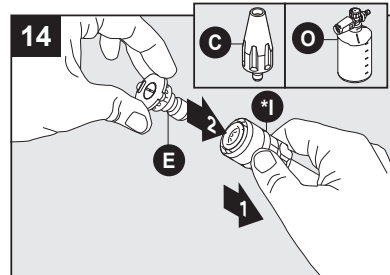
IMPORTANT: Before removing the high-pressure hose, always power off the machine, then pull the trigger on the spray gun 2-3 times. This will release any remaining water pressure in the system and help prevent sudden spray or difficulty disconnecting the hose.

IMPORTANT: Always disconnect the spray gun and high-pressure hose after each use. This prevents mineral buildup on the threads and makes future disassembly much easier.



Lance Installation

While spray gun (K) is in the locked position, insert lance (*I) into the end of spray gun by firmly inserting and turning clockwise until fully in place. To remove, turn counterclockwise.

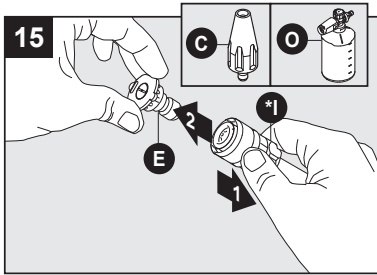


Nozzle, Rotary Nozzle, Foam Cannon Assembly

Pull back on collar of lance (*I) and attach nozzle (E), rotary nozzle (C) or foam cannon (O) into end of lance (*I) by pressing selected nozzle into place. It will make a "click" sound when firmly in place.

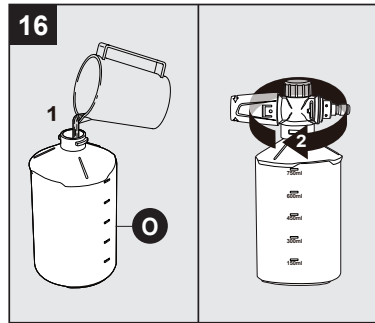
CAUTION - Always lock spray gun trigger lock when changing lances and nozzles to ensure that they do not accidentally eject with force during removal.

ASSEMBLY INSTRUCTIONS



Nozzle, Rotary Nozzle, Foam Cannon Disassembly

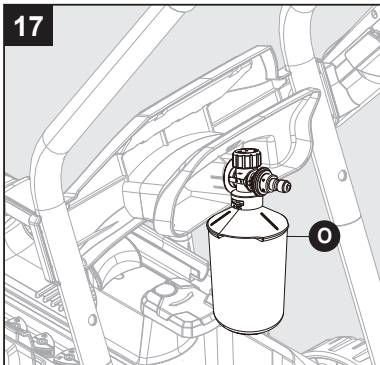
To remove nozzle (E), rotary nozzle (C) or foam cannon (O), pull back on collar of lance (*1) and pull out nozzle (E), rotary nozzle (C) or foam cannon (O).



Foam Cannon Installation

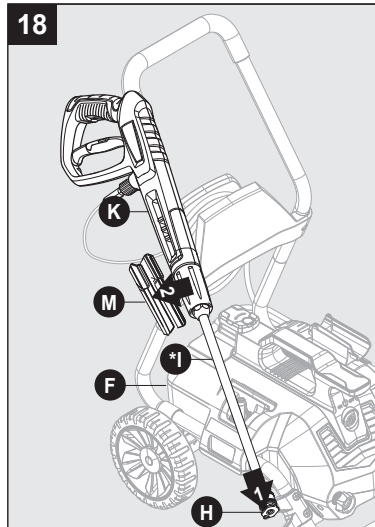
The foam cannon (O) comes with a straw which is fitted into high pressure top. If you do not see the straw, look inside the foam cannon and attach it to the high pressure top. When using foam cannon, fill it with a properly formulated detergent or cleaner with a water ratio according to instructions on the container.

- **DO NOT** use thick or gel-like detergents as they will clog the foam cannon and can cause damage.



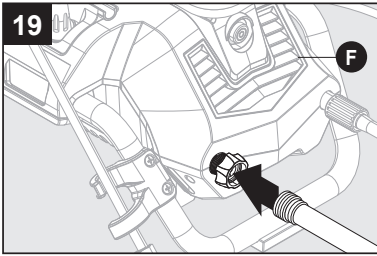
Foam Cannon Storage

Store the foam cannon (O) on the back of the power washer unit (C).



Insert extension lance (*1) into nozzle holder (H), and press spray gun (K) with extension lance (*1) into spray gun holster (M).

ASSEMBLY INSTRUCTIONS



Attach a garden hose to built in garden hose adapter. The water is now connected to your power washer.



CAUTION - Flush Before Connecting:

Always flush your garden hose before connecting it to the garden hose adapter. This helps prevent debris from entering the pump and causing damage.



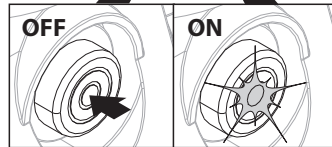
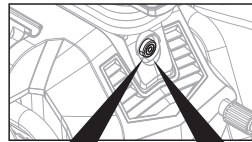
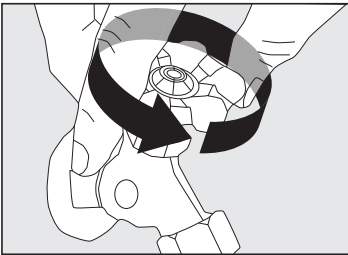
CAUTION - Thread Seating:

Ensure the garden hose threads seat fully against the o-ring inside the garden hose adapter (GHA). Some lightweight or expandable hoses may have short threads that do not seat properly. This can lead to leaks, reduced performance, or difficulty maintaining pressure.

Adding a garden hose washer behind the filter can reduce the necessary thread length. Garden hose washers are purchasable at most hardware stores.

OPERATING INSTRUCTIONS

1. Check all connections are secure.



2. Turn on the water supply at the faucet until fully open.
3. Remove the power cord from the unit by swiveling the cord hook to the right or left.
4. Connect GFCI plug directly to a 15 amp, 120 volt outlet.
5. Test GFCI. (See operating tips on page 13.)
6. Release the safety lock lever on the trigger by pressing the lever down and into the trigger.
7. Point the spray gun in a safe direction.
8. Purge air from the line by squeezing the trigger on the spray gun until there is a steady stream of water and air bubbles stop.
9. Continue to squeeze the trigger.
10. Push the power switch in. (Switch will light up when ON.)
11. Allow to run at least 10 seconds before releasing the trigger.
12. Release the spray gun trigger to stop the power washer. This is a normal function of the auto start feature.
13. Begin cleaning by squeezing the trigger on the spray gun.

OPERATING INSTRUCTIONS

Usage Tips

- Always position the pressure washer in front of you when connecting the high-pressure hose to ensure proper alignment.
- Hand-tighten all hose fittings. Do not use tools like pliers or locking pliers.
- After turning off the unit, pull the trigger on the spray gun 2–3 times to release any remaining pressure before disconnecting hoses or accessories.

Warnings



WARNING – Do Not Run Dry:

Never operate the pressure washer without water. Running the pump dry will cause permanent damage and void the warranty.



WARNING – Hose Connection:

Ensure the high-pressure hose is fully threaded (at least six full turns). An improperly connected hose may detach under pressure.



WARNING – Electrical Safety:

This unit includes a GFCI plug for added protection. Do not bypass or replace it with a non-GFCI plug. Use only identical replacement parts.

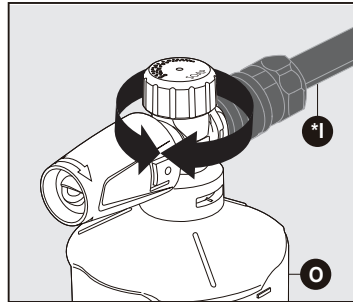
Operation Tips

- **Note:** Test the GFCI (For US unit only) before each use:
 1. Plug GFCI into power outlet. Indicator should turn green to show that cord has power.
 2. Press test button, green indicator should turn off to verify that GFCI cut off power to the cord.
 3. Press reset button – green indicator should turn on to show that cord has power again.
 4. When GFCI is working properly, green indicator will turn on when power is applied. If green indicator turns off, it has detected electric leakage and the GFCI cut off power to the appliance.
- If you hear the motor run intermittently when the trigger is not being squeezed, that is normal. The pump is priming itself so it is ready to operate when the trigger is squeezed. Turn off the power washer if not being used after five minutes.
- The o-rings on both ends of the high-pressure hose and the barrel of the spray gun should be cleaned regularly and lubricated with non-water soluble grease such as petroleum jelly, white lithium grease, or silicone grease.

- Keep the nozzle cleaning wire for use in unclogging the nozzle. If you lose the cleaning wire, any other straight, thin wire works.

How to Avoid Damaging Surfaces

- Damage to surfaces being cleaned occurs because the impact force of the water pressure exceeds the durability of the surface. Bare wood can be penetrated, paint can be peeled off, etc. You can vary the force of your power washer by controlling:
 1. The angle of the surface being cleaned.
 2. The distance of the nozzle from the surface being cleaned.
- **Never** use a narrow high pressure stream of water on soft surfaces susceptible to damage.
- Use the 25° quick connect nozzle when cleaning windows. Squeeze the trigger and vary the spray pattern and angle until optimum cleaning efficiency is achieved.

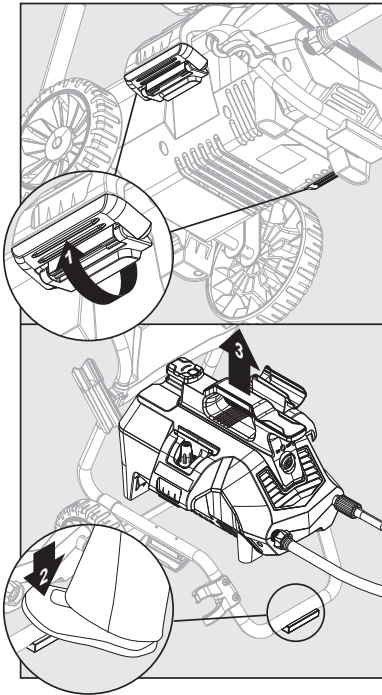


Adjusting Soap Levels on Foam Cannon

Twist knob to adjust the level of soap as indicated on the top of the Foam Cannon (O). Twist toward the higher concentration of bubbles for more soap, or the opposite direction for less.

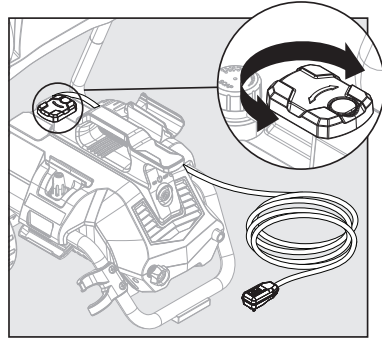
At the maximum end, the power washer will pull a ratio of water to detergent of 10:1 or 10 parts water to 1 part detergent. At the minimum end, the ratio reduces to 20:1.

OPERATING INSTRUCTIONS



Removing Power Washer Unit from Frame for Handheld Operation

Locate latches on the lower side of frame. Unlock latches by pulling downward on the latches. Place a foot on the pad at the front of the lower frame and then lift the power washer unit off the frame.



Using Power Cord

- Remove the power cord from the unit by swiveling the cord hook to the right or left. The power cord then can be slid off to either side of the power washer unit.
- Swivel cord hook back to center when ready to wrap the cord back into place for storage.

CARE AND MAINTENANCE

Using Detergent

You can use pressure washer-safe detergents for a variety of cleaning tasks. These are available at most hardware and home improvement stores.

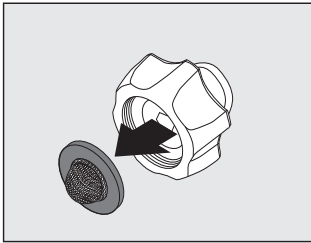
Tips for Best Results:

- Use only detergents designed for pressure washers.
- The detergent should be as thin as water to avoid clogging the detergent bottle or nozzle.
- This system applies detergent at low pressure, which helps the detergent break down dirt and grime more effectively.
- Always apply detergent to a dry surface. Pre-wetting the area will dilute the detergent and reduce its cleaning power.
- When cleaning vertical surfaces, apply detergent from the bottom up to avoid streaking.
- Rinse detergent off from the bottom up as well for even results.
- For tough stains, reapply detergent and use a soft or bristled brush before rinsing.

CARE AND MAINTENANCE

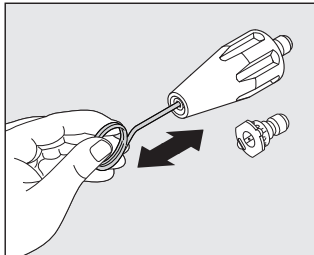
Cautions:

- ⚠ Do not allow detergent to dry on the surface. This can leave residue or cause streaking.
- ⚠ Do not use thick or undiluted cleaners. They may clog the detergent system.
- ⚠ Always rinse thoroughly after cleaning. Leftover detergent can damage surfaces or attract dirt.



Hose Adapter

The screen inside the adapter should be cleaned periodically. Remove it by dragging a thumb over the screen with enough pressure to pull the screen and washer out. Rinse it with clean water and then place it back in the adapter.



Cleaning Nozzles

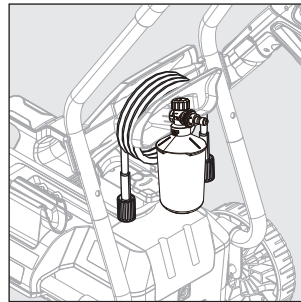
- A clogged or partially clogged nozzle can cause significant reduction of water pressure coming out of the nozzle and/or cause the unit to pulsate while spraying.
- Turn off the unit.
- Turn off the water supply to the unit.
- Relieve any pressure trapped in the hose by powering off the machine, then pull the trigger on the spray gun while pointing in a safe direction.
- Using the nozzle tip cleaner provided (or another thin, straight wire), insert the wire into the nozzle hole and move back and forth until debris is dislodged.

- Back flush water through the nozzles using garden hose and highest pressure available (either standard water nozzle or use your thumb over the nozzle to create water pressure for back flush).

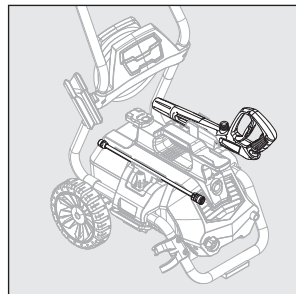
Shutting Down & Storing Your Pressure Washer Step-by-Step Shutdown

1. Turn off the power switch on the front of the unit.
2. Unplug the power cord from the electrical outlet.
3. Turn off the water supply at the source.
4. Pull the trigger on the spray gun 2–3 times to release any remaining water pressure.
5. Disconnect the garden hose from the water inlet.

Storage Instructions

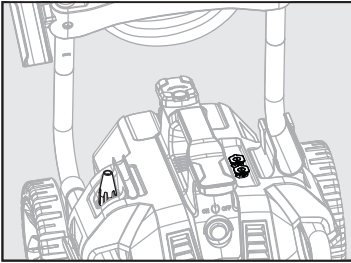


- Remove the high-pressure hose from the spray gun and store it on the hose hook (located on the back of the unit).



- Remove the lance from the spray gun. Place the gun in the holster and the lance in the designated slot on the top of the unit.

CARE AND MAINTENANCE



- Store the nozzle and rotary nozzle in their holders on both sides of the unit.
- Empty any remaining detergent from the bottle. Residual chemicals can harden, contaminate the container, and clog the detergent injector.
- Flush the detergent bottle and nozzle head with clean water to prevent buildup.
- Wind the power cord around the L-shaped hooks located on the top of the machine.

CAUTION – Do Not Store in Freezing Conditions:

Never store the pressure washer in areas where temperatures may drop below freezing without proper winterization. Water left inside the unit can freeze, expand, and cause permanent internal damage.

CAUTION – Use Pump Antifreeze for Cold Storage:

If storing the unit in a garage, shed, or other unheated space, use an antifreeze product designed for pressure washer pumps to protect internal components from freezing.

CAUTION – Pump Saver Recommended:

For added protection during cold storage, apply a pump saver (not included). It helps prevent freezing, corrosion, and seal damage during long-term storage.

PUMP SAVER

Pump Saver is a product that protects and prolongs the life of the pump. This will keep the internal parts of the pump lubricated and protected from freezing while being stored in ALL climates. It also assists with protection from internal corrosion. The AR Blue Clean part #is: PW64511(16oz. bottle). Order online at www.arblueclean.com

Pump Saver Instructions

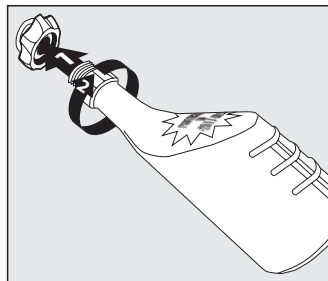
Follow the previous storage instructions for your power washer. To prevent staining, protect the surface under the power washer from any excess fluid. Wear eye protection when using this product.

Turn unit off and disconnect the gun before adding pump Saver. Unscrew threaded top from bottle to remove seal and reattach threaded top to bottle. Remove black cap from bottle.

- 1) Place top of pump saver bottle onto the garden hose adapter.
- 2) Secure pump saver bottle by turning in a clockwise direction.

- 3) Turn the power on.
- 4) Squeeze bottle to help it into the pump.
- 5) Turn power off when pump saver exits the machine's water outlet.

Note: Instructions on Pump Saver Bottle are generic and not model specific.



TROUBLESHOOTING

If you have any questions regarding the product, please call customer service at 1-866-235-5112.

PROBLEM	POSSIBLE CAUSE	SOLUTION
Low pressure	Motor is not running.	See "Power doesn't turn on" section of troubleshooting.
	Other	Contact customer service.
Low or No Waterflow (with or without power)	Insufficient water supply	<ul style="list-style-type: none"> - Ensure supply hose is ON. - Must deliver 4-6 GPM pressurized water. - Test garden hose flow with stopwatch and 5 gallon bucket. Should fill in range of 50-70 seconds.
	Kinked hose	<ul style="list-style-type: none"> - Straighten all hoses. - Replace any kinked high-pressure hose.
	Clogged Garden Hose Adapter Filter	<ul style="list-style-type: none"> - Check for debris. - Clean or replace as needed.
	Clogged Nozzle	<ul style="list-style-type: none"> - Remove nozzle and test without it. - See "Nozzle Cleaning" in Care & Maintenance. - Replace if faulty.
	Internal blockage	<ul style="list-style-type: none"> - Start at the end of water path and remove parts one-by-one. - Look for blockage or water flow issue. - Clean or replace blocked part. - Contact customer service or see the online troubleshooting guide.
Power doesn't turn on	GFCI Failure	Test the GFCI as described on page 13. Replace if faulty.
	Clogged Nozzle	<ul style="list-style-type: none"> - Remove nozzle and test. - Clean or replace nozzle as needed (see "Nozzle Cleaning")
	TSS (Total Stop System) is engaged and trigger isn't pulled	Squeeze the trigger to activate the motor when power is on. (Machine only runs when trigger is pulled.)
Surging power or pressure	Clogged Nozzle	<ul style="list-style-type: none"> - Remove nozzle and test. - Clean or replace as needed (see "Nozzle Cleaning").
Water leaks at connection	Missing or damaged O-ring.	- Replace O-ring(s).

LIMITED WARRANTY

This product is backed by a “2-year limited warranty” provided by A.R. North America.

Year 1 – Full Coverage (“Bumper to Bumper”)

For the first year from the date of purchase, this product is warranted to the “original retail consumer” against defects in materials and workmanship. This includes:

- Spray gun
- High-pressure hose
- All included accessories

This is a “non-transferable” warranty and applies only to “consumer use”. It is “void” if the product is used for rental or commercial purposes.

Year 2 – Limited Coverage

The second year of coverage applies “only to manufacturer defects”. Accessories are not covered during this period.

Warranty Conditions

- Reasonable care must be taken during use, following all instructions in the “Owner’s Manual” and “Quick Start Guide”.
- Failure to follow operating or maintenance instructions will “void the warranty”.
- This warranty gives you specific legal rights. You may also have other rights that vary by state.

Warranty Claims

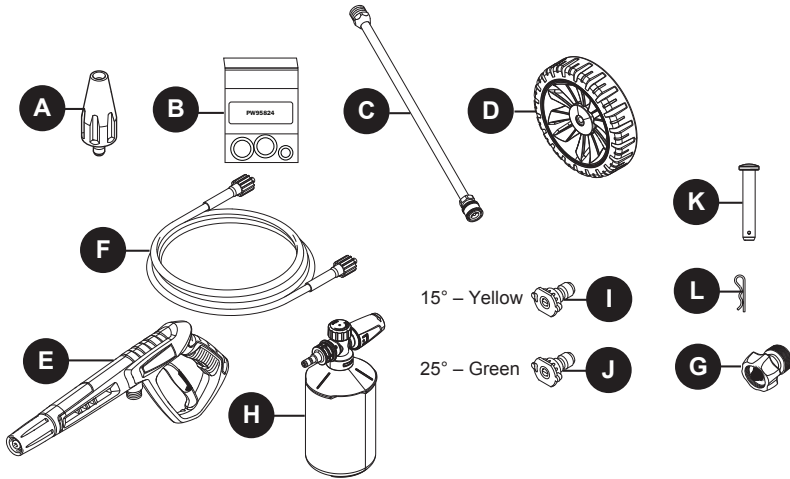
Keep your “original purchase receipt” for any warranty claims.

For further assistance:

- Call “Customer Service” at “1-866-235-5112”
- Available “Monday–Friday, 8:00 a.m. – 5:00 p.m. CST”
- A representative will assist you with troubleshooting and next steps.

REPLACEMENT PARTS LIST

For replacement parts, call our customer service department at 1-866-235-5112, 8 a.m. - 5:00 p.m., CST, Monday - Friday or order online at www.arblueclean.com



PART	DESCRIPTION	PART #
A	Rotary Nozzle	PW6120330
B	O-Ring Replacement Kit	PW95824
C	Extension Lance	PW6120310
D	Wheel	PW4620432
E	Spray Gun	PW6120302
F	High Pressure Hose	PW4223470
G	Garden Hose Adapter	PW4221570

PART	DESCRIPTION	PART #
H	High Pressure Foam Cannon	PW4620265
I	15° QC Nozzle	PW4223100
J	25° QC Nozzle	PW4223110
K	Axle Pin	PW4620370
L	Cotter Pin	PW4620380

Printed in Vietnam

XH2500



BLUE
CLEAN®

LAVEUSE À PRESSION ÉLECTRIQUE

INSTRUCTIONS D'ASSEMBLAGE, D'ENTRETIEN ET D'UTILISATION Modèle XH2500 2500 PSI

**IMPORTANT, CONSERVER CES
INSTRUCTIONS POUR RÉFÉRENCE
ULTÉRIEURE : LIRE ATTENTIVEMENT.**

JOINDRE LE REÇU AU MANUEL

- Buse à raccordement rapide 15°, 25°
- Buse turbo rotative à raccordement rapide
- Canon à mousse haute pression
- Système d'arrêt total



INFORMATIONS SUR
LE PRODUIT



AVERTISSEMENT: Cet article peut vous exposer à des produits chimiques, notamment le plomb, le DEHP, le DINP et le trioxyde de molybdène, qui sont reconnus par l'État de Californie comme pouvant causer le cancer ou des anomalies congénitales. Pour plus de renseignements, rendez-vous au: www.P65Warnings.ca.gov

Questions, problèmes, pièces manquantes?

Avant de retourner chez votre détaillant, veuillez contacter notre service à la clientèle :

Pour l'anglais, appelez le 1-888-662-9510 ou courriel info@arnorthamerica.com.

Pour le français ou l'espagnol, s'il vous plaît courriel info@arnorthamerica.com

Notre service à la clientèle est disponible de 8h00 à 17h00, CST, du lundi au vendredi. www.arblueclean.fr

CARTA EN ESPAÑOL

Estimado cliente:

Gracias por elegir la hidrolavadora eléctrica AR Blue Clean. ¡Estamos encantados de darle la bienvenida a la familia AR Blue Clean!

Este producto representa más de **35 años** de escuchar a nuestros clientes y mejorar continuamente sobre la base de sus comentarios. Cada característica ha sido cuidadosamente diseñada para ofrecer un rendimiento potente, fiabilidad y facilidad de uso, para que pueda abordar sus tareas de limpieza con confianza.

Su hidrolavadora está respaldada por nuestra **garantía limitada de 2 años** que cubre defectos de materiales y mano de obra para el comprador minorista original. Los accesorios, incluidos la pistola rociadora, la manguera de alta presión y todos los accesorios incluidos, están cubiertos por una **garantía de 90 días**. Esta garantía aplica para uso residencial y comercial solo en nuestros modelos Pro, y no es transferible.

Si tiene alguna pregunta o necesita asistencia, nuestro amable equipo de atención al cliente, ubicado en Fridley, MN, está aquí para ayudarle. Puede comunicarse con nosotros al **866-235-5112** o visitar **ARBLUECLEAN.COM** para chatear o enviarnos un correo electrónico directamente.

¡Nos encantaría conocer su experiencia! Por favor, tómese un momento para dejar una reseña en el lugar de compra. Sus comentarios nos ayudan a mejorar y ayudan a otros a tomar decisiones informadas.

Gracias nuevamente, ¡y felices limpiezas!



Atentamente,

El equipo de AR Blue Clean

TABLE DES MATIÈRES

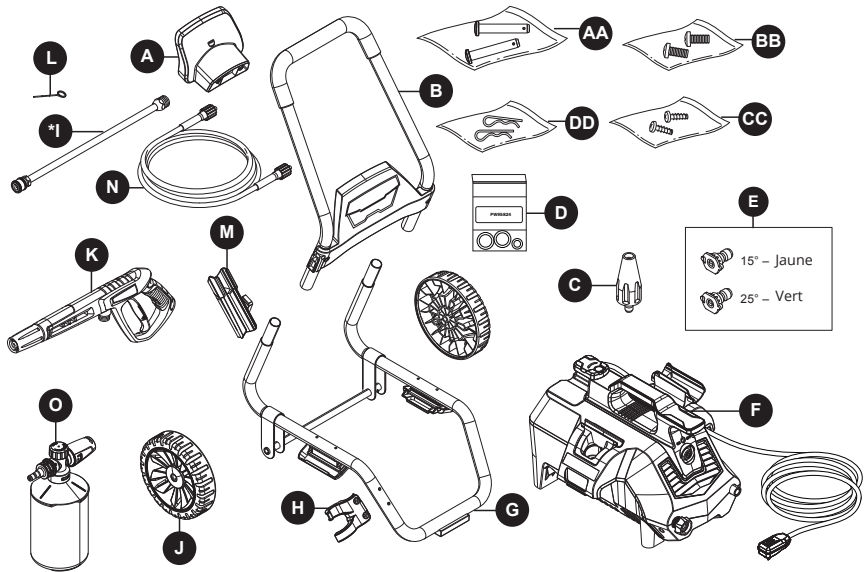
Caractéristiques du produit.....	22
Contenu de l'emballage	23
Quincaillerie incluse	23
Consignes de sécurité	24
Instructions pour l'assemblage.....	26
Mode d'emploi	31
Entretien	33
Protecteur de pompe.....	35
Dépannage	36
Garantie limitée.....	37
Liste des pièces de rechange.....	38

SPÉCIFICATIONS DU PRODUIT

SPÉCIFICATIONS

Modèle	PSI maximum (k/cm ²) (lb/po ²)	PSI Évalué (k/cm ²) (lb/po ²)	Débit maximum (Litre/min) (Gal./min)	Débit Évalué (Litre/min) (Gal./min)	Eau froide	Volts	Fréquence (Hz)	Ampères	Poids (kg) (lb)
XH2500	7314 (2500)	5853 (2000)	6.5 (1.7)	4.2 (1.1)	✓	120	60	13	13.6 (30)

CONTENU DE L'EMBALLAGE



PIÈCE	DESCRIPTION	QUANTITÉ
A	Support du tuyau	1
B	Poignée	1
C	Buse rotative	1
D	Kit de remplacement de joint torique	1
E	Buse à raccord rapide	2
F	Laveuse à pression	1
G	Armature inférieure	1
H	Support de la buse	1
*I	Lance	1
J	Roues	2
K	Pistolet de pulvérisation	1

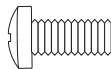
PIÈCE	DESCRIPTION	QUANTITÉ
L	Fil de nettoyage de la buse	1
M	Étui du pistolet de pulvérisation	1
N	Tuyau à haute pression	1
O	Canon mousse haute pression	1
AA	Cheville d'essieu	2
BB	Vis	2
CC	Vis	2
DD	Goupille fendue	2

* Emballé sur le bloc d'alimentation machine à laver.

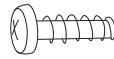
MATÉRIEL INCLUS



AA $\Phi 12 \times 65 \text{ mm}$
Cheville d'essieu
Qté. 2



BB M6x20
Vis
Qté. 2



CC 4.8x16mm
Vis
Qté. 2



DD $\Phi 2.5$
Goupille fendue
Qté. 2

CONSIGNES DE SÉCURITÉ

Veillez lire et comprendre tout ce manuel avant d'essayer de monter et de faire fonctionner le produit.

Le présent manuel contient des informations concernant la PROTECTION DE LA SÉCURITÉ PERSONNELLE et la PRÉVENTION DE PROBLÈMES D'ÉQUIPEMENT Il est important de lire et de comprendre l'intégralité du manuel avant d'utiliser le produit. Les symboles apparaissant ci-dessous sont utilisés pour indiquer ces informations.



DANGER

Risque potentiel ayant pour conséquence **des blessures graves ou la mort.**



AVERTISSEMENT

Risque potentiel pouvant causer **des blessures graves ou la mort.**



ATTENTION

Risque potentiel pouvant causer **des blessures ou des dommages à l'équipement.**

Remarque : Le mot « Remarque » est utilisé pour informer l'utilisateur d'un renseignement important concernant l'utilisation de l'appareil.



AVERTISSEMENT

Pour réduire le risque de blessure, l'utilisateur doit lire et comprendre les instructions avant d'utiliser ce produit.

1. Avertissement — Certaines précautions de base doivent être toujours suivies lors de l'utilisation de l'appareil, y compris :
 2. Lire les instructions avant d'utiliser l'appareil.
 3. Savoir comment arrêter l'appareil et le dépressuriser rapidement. Connaître le fonctionnement de chaque bouton de commande.
 4. Définir un périmètre de sécurité.
 5. Ne pas s'étirer trop loin ou prendre place sur un support instable. Toujours garder une position stable et sûre.
 6. Suivre les directives d'entretien décrites dans le manuel.
 7. Pour éviter des blessures ou des dommages matériels et pour profiter au maximum de l'appareil, suivre les conseils de sécurité, instructions, avertissements et recommandations et se familiariser avec les commandes.
 8. Cette laveuse à pression est conforme aux normes de la CSA et à d'autres normes de sécurité. **NE PAS** modifier ni reconditionner les pièces de cette laveuse à pression.
 9. **NE PAS** utiliser cette laveuse à pression si vous êtes sous l'influence d'alcool ou de drogue. Utiliser cet appareil avec prudence et uniquement lorsque vous êtes alerte.
 10. Toujours garder une position stable et sûre pendant
- l'utilisation de la laveuse à pression. Les surfaces mouillées sont glissantes et l'utilisation de détergent les rend encore plus dangereuses.
11. **NE JAMAIS** utiliser la laveuse à pression les pieds nus, en sandales ou avec des chaussures ouvertes.
12. Lorsque des enfants sont présents autour de la zone d'utilisation de la laveuse à pression, un adulte doit assurer la surveillance pour éviter le risque de blessures. **NE JAMAIS** permettre à un enfant d'utiliser la laveuse à pression.
13. Tenir les doigts, les mains, les pieds et toutes les parties du corps loin du jet d'eau à haute pression. Le jet d'eau à haute pression peut causer la cécité ou déchirer la peau. Il peut fracasser une vitre si la buse est trop proche de la fenêtre lorsqu'on appuie sur la gâchette du pistolet pulvérisateur.
14. Afin de prévenir les blessures aux yeux, **PORTER** toujours des lunettes de sécurité pendant l'utilisation de la laveuse à pression.
15. Pour éviter les accidents ou les blessures, **VERROUILLER** toujours la gâchette à l'aide du bouton de sûreté lorsque la laveuse à pression n'est pas en service, même si le jet a été arrêté temporairement.
16. La laveuse à pression est équipée d'un disjoncteur de fuite de terre afin de réduire le risque de décharge électrique pendant l'utilisation de l'appareil (Pour l'unité américaine seulement). S'il est nécessaire de remplacer la fiche ou le cordon d'alimentation, utiliser uniquement une pièce de remplacement identique.
17. Pointer le pistolet pulvérisateur vers une direction sécuritaire avant de commencer une séance de lavage.
18. Avertissement — **NE JAMAIS** utiliser le pistolet pulvérisateur pour arrosar une personne, un animal, un appareil électrique ou la laveuse à pression.
19. À la première utilisation du pistolet pulvérisateur, tenir le pistolet et la lance à deux mains (une main pour appuyer sur la gâchette et l'autre pour stabiliser le pistolet et la lance) de manière à évaluer l'effet de rebond du pistolet pulvérisateur.
20. Quand vous appuyez l'interrupteur pour couper l'électricité lave waterpressure peuvent demeurer dans le système.pour s'acquitter de la pression, point thesray arme dans une direction sûre et presser la détente.
21. **NE JAMAIS** pulvériser de liquide inflammable.
22. **NE JAMAIS** utiliser la laveuse à pression dans un espace rempli de poussières, de liquide ou de vapeurs combustibles.
23. Éviter tout contact entre le tuyau à HP et des objets tranchants et vérifier le tuyau régulièrement. Remplacer le tuyau s'il est endommagé. Puisque c'est un tuyau à haute pression, il ne peut pas à être réparé.
24. Utiliser uniquement un détergent spécialement conçu pour les laveuses à pression et suivre les instructions sur l'étiquette de la bouteille de détergent.
25. Utiliser des équipements de protection qui protégeront les yeux, les poumons et la peau contre

CONSIGNES DE SÉCURITÉ

l'exposition au détergent. Le savon à vaisselle et les détergents à lessive sont trop épais et boucheront la buse de la bouteille à détergent.

26. **AVERTISSEMENT**-Si la connexion est faite à un système d'eau potable, le système doit être protégé contre les reflux.



ATTENTION

Lorsque la température extérieure est sous zéro, entreposer la laveuse à pression à l'intérieur pour éviter que l'eau dans l'appareil gèle. Le fait que l'eau gèle et augmente de volume aura pour effet d'endommager l'appareil et de le rendre inutilisable. Si l'appareil doit être entreposé à l'extérieur, il est recommandé d'utiliser un protecteur de pompe (non compris) pour protéger la pompe.

27. **NE JAMAIS** utiliser d'eau chaude dans la laveuse à pression. Cela aura pour effet de surchauffer la pompe à haute pression et de l'endommager.
28. **NE JAMAIS** laisser la laveuse à pression sans surveillance lorsque l'interrupteur est à la position « ON » (marche).
29. **TOUJOURS** ouvrir l'alimentation en eau avant de placer l'interrupteur électrique à la position « ON » (marche). Le fait de faire fonctionner la pompe à sec pourrait endommager ses composants internes.
30. **NE JAMAIS** utiliser une source d'alimentation en eau ayant une pression supérieure à 150 PSI.

31. **NE JAMAIS** débrancher le tuyau à haute pression de la laveuse à pression pendant que le système est sous pression.
32. **NE JAMAIS** bloquer la gâchette en position ouverte de manière permanente.
33. **NE JAMAIS** faire fonctionner la laveuse à pression si tous les composants ne sont pas branchés correctement et de manière sécuritaire.
34. **NE JAMAIS** laisser fonctionner la pompe de la laveuse à pression plus d'une minute après que l'alimentation en eau ait été coupée. Cela pourrait occasionner la surchauffe du moteur et de la pompe et causer une défaillance.
35. **NE JAMAIS** utiliser une lance ou un autre composant qui n'est pas compatible avec ce modèle d'appareil AR Blue Clean.
36. **NE JAMAIS** brancher une rallonge au cordon d'alimentation de l'appareil. Cela compromettrait l'efficacité du disjoncteur de fuite de terre et augmenterait le risque d'électrocution de l'utilisateur (Pour l'unité américaine seulement).
37. **NE JAMAIS** arroser une prise électrique avec le jet du pistolet pulvérisateur.
38. Inspecter le cordon d'alimentation avant d'utiliser l'appareil. **NE PAS** utiliser l'appareil si le cordon d'alimentation est endommagé.
39. Restez en alerte - attention à ce que tu fais.

CONSERVER CES INSTRUCTIONS POUR RÉFÉRENCE ULTÉRIEURE.

Entretien d'un appareil double isolé

Appareil double isolé et protection GFCI (modèles américains uniquement)

Cette lave-pression est équipée d'un interrupteur à défaut de terre (GFCI) intégré à la prise du câble d'alimentation. Il offre une protection supplémentaire contre les chocs électriques et comprend une fonction de détection automatique pour s'assurer qu'il fonctionne correctement.

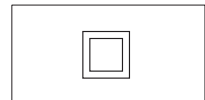
IMPORTANT: Si la prise ou le câble nécessite un remplacement, utilisez uniquement des pièces identiques qui comprennent une protection GFCI.

Cette unité est un appareil à double isolation, ce qui signifie qu'elle a deux couches d'isolation et ne nécessite pas de connexion au sol. N'essayez pas de mettre à la terre l'unité ou de la modifier pour ajouter une mise à la terre.

Avertissement d'entretien:

Les produits à double isolation ne doivent être entretenus que par un personnel qualifié. Utilisez uniquement des pièces de rechange d'origine marquées pour double isolation.

Recherchez l'étiquette « Double isolé » ou le symbole suivant pour identifier cette fonctionnalité :



Double Insolated Product

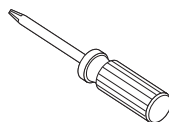
Remarque: Voir la page 31 pour les instructions d'assemblage.

PRÉPARATION

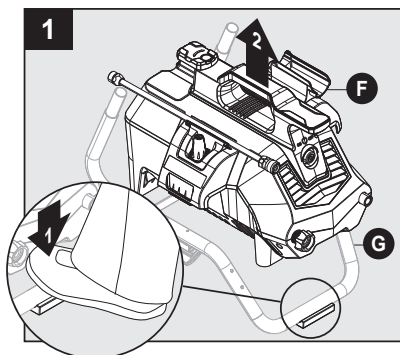
Avant de commencer l'assemblage de l'article, assurez-vous d'avoir toutes les pièces. Comparez le contenu de l'emballage avec la liste de la quincaillerie incluse. S'il y a des pièces manquantes ou endommagées, ne tentez pas d'assembler l'article. Veuillez appeler le service à la clientèle au 1-866-235-5112. Les pièces de rechange seront envoyées sans frais.

Temps d'assemblage approximatif : 5 minutes.

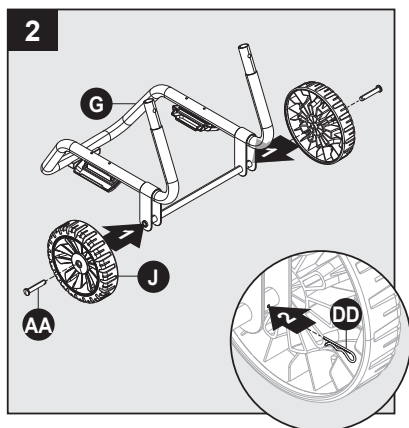
Outils nécessaires pour l'assemblage (non inclus) : tournevis cruciforme.



INSTRUCTIONS D'ASSEMBLAGE



Placez un pied sur le coussin à l'avant de la partie inférieure cadre (G) et le bloc de rondelle (F) puis soulevez le cadre. Sur le côté de nettoyeur haute pression (F).



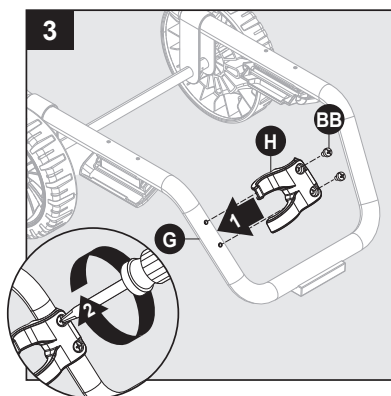
Assemblage de l'armature

Installez les chevilles d'essieu (AA) et les roues (J) sur l'armature inférieure (G). Fixez le tout à l'aide des goupilles fendues (DD).

Quincaillerie utilisée :

- | | | | |
|-----------|-------------------|--|-----|
| AA | Cheville d'essieu | | x 2 |
| DD | Goupille fendue | | x 2 |

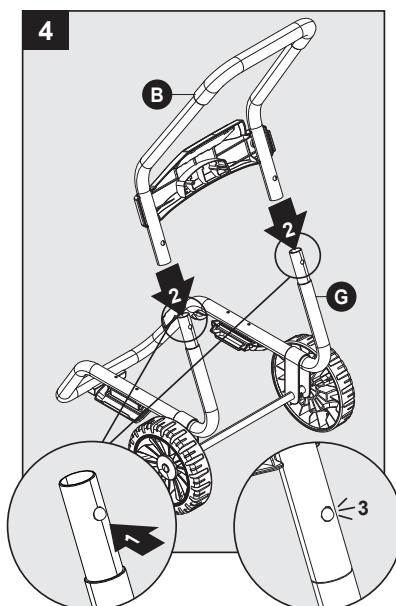
INSTRUCTIONS D'ASSEMBLAGE



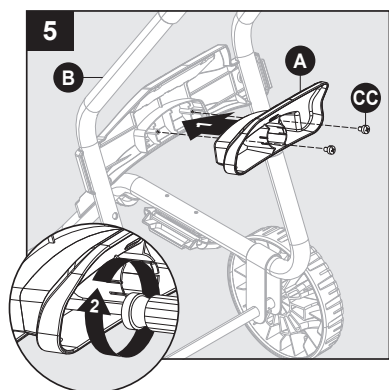
Installez le support de la buse (H) sur l'armature inférieure (G). Fixez-le à l'aide de deux vis (BB).

Quincaillerie utilisée :

BB Vis  x 2

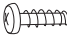


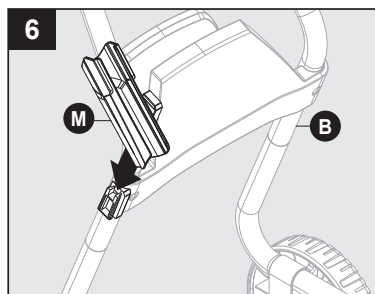
Glissez la poignée (B) sur l'armature inférieure (G) jusqu'à ce que vous entendiez un clic indiquant que la poignée est bien fixée à l'armature.



Installez le support du tuyau (A) à l'arrière de la poignée supérieure (B). Fixez-le à l'aide de deux vis (CC).

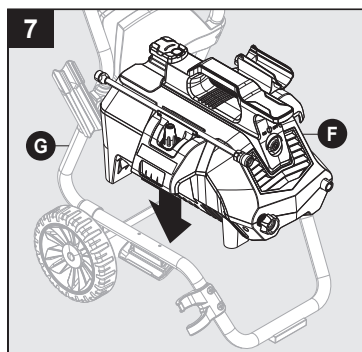
Quincaillerie utilisée :

CC Vis  x 2

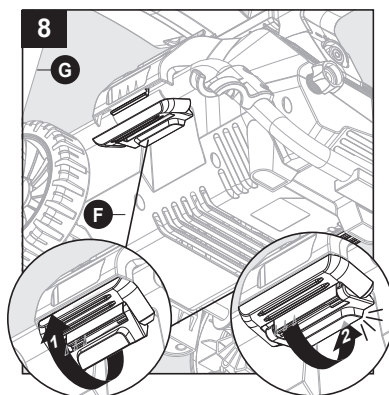


Glissez l'étui du pistolet de pulvérisation (M) en place sur la poignée supérieure (B).

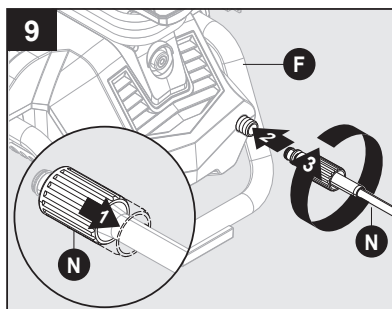
INSTRUCTIONS D'ASSEMBLAGE



Installez la laveuse à pression (F) sur l'armature inférieure (G).



Tirer vers le haut sur les loquets situés sur côtés du châssis inférieur (G). Une fois le verrou supérieur affleure avec la lèvre inférieure, poussez vers le bas jusqu'à ce que le verrou inférieur s'enclenche en place.

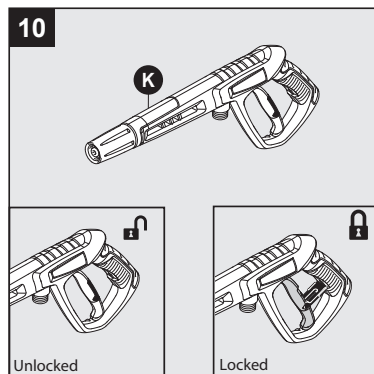


Assemblage du tuyau à haute pression

Tirez en arrière sur le collier à chaque extrémité du tuyau haute pression (N). Poussez fermement le centre-poste dans le tuyau de sortie sur l'unité de nettoyage électrique (F). Tordre le collier pour sécuriser. Confirmez que le tuyau est verrouillé dans l'unité de lavage électrique en tirant légèrement sur le tuyau. Le tuyau est maintenant bien fixé.

ATTENTION: Si le tuyau haute pression n'est pas serré correctement, il peut glisser ou se déconnecter lorsque l'unité est allumée, ce qui peut entraîner une décharge soudaine d'eau ou une perte de pression. Assurez-vous toujours que le tuyau est entièrement fileté et sécurisé avant l'opération.

Remarque : NE SERREZ PAS avec une pince ou une pince-étau.

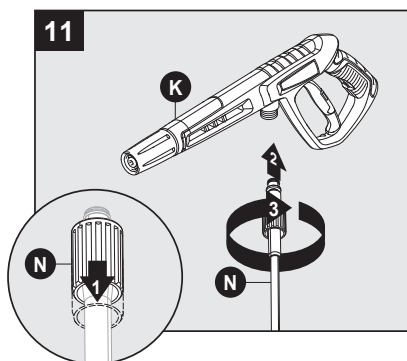


Pistolet de pulvérisation de blocage (avant l'installation de la Lance)

À verrouillage gâchette du pistolet de pulvérisation (K), pointer le pistolet. à vous et tourner à composer à verrou. Squeezez ou appuyez sur la gâchette pour s'assurer qu'il est verrouillé. TOUJOURS laisser en position verrouillée lorsque pas en utilisation. Cela garantit que l'arme est en mode « sans échec » jusqu'à ce qu'il est prêt à l'emploi. Tourner le cadran pour débloquer à relâcher la gâchette du pistolet de pulvérisation.

Remarque : Le verrou empêche le déclenchement d'être engager accidentellement.

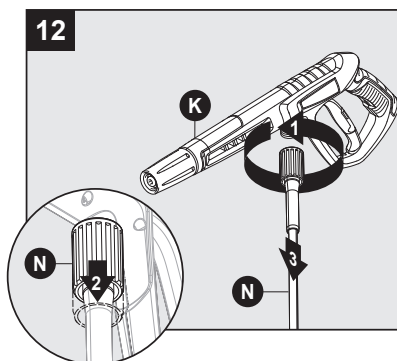
INSTRUCTIONS D'ASSEMBLAGE



Assemblage du tuyau à haute pression

Tirer sur le collier à l'autre extrémité du tuyau haute pression (N). Appuyer fermement pour raccorder le tuyau pour pistolet (K). Tournez le collet pour garantir. Confirmer le tuyau est verrouillé en spray pistolet en tirant légèrement dessus. Le tuyau est maintenant solidement fixé pour pistolet.

Conseil d'assemblage: Appliquez de la graisse au lithium blanc ou de la graisse en silicone aux bagues toriques du canon du pistolet de pulvérisation (K) et aux deux extrémités du tuyau haute pression (N) pour faciliter la connexion et la déconnexion!

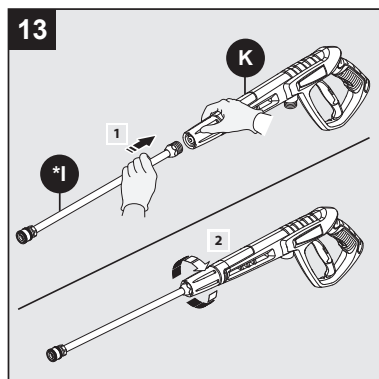


Démontage du tuyau haute pression ultra doux

Collier de torsion puis tirez en arrière pour libérer le haut raccord de tuyau (N) de la pression du pistolet (K).

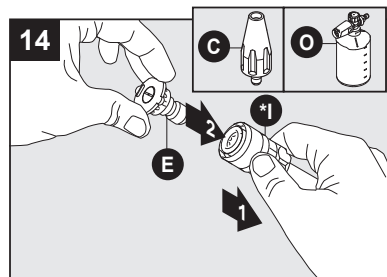
IMPORTANT: Avant de retirer le tuyau haute pression, éteignez toujours la machine, puis tirez sur la gâchette du pistolet de pulvérisation 2 à 3 fois. Cela libérera toute pression d'eau restante dans le système et aidera à éviter la pulvérisation soudaine ou la difficulté à déconnecter le tuyau.

IMPORTANT: déconnectez toujours le pistolet de pulvérisation et le tuyau haute pression après chaque utilisation. Cela empêche l'accumulation de minéraux sur les fils et facilite beaucoup le démontage futur.



Installation de la lance

Alors que le pistolet de pulvérisation (K) est en position verrouillée, insérez la lance (*I) à l'extrémité du pistolet et tournez-la dans le sens des aiguilles d'une montre jusqu'à ce qu'elle soit bien en place. Pour la retirer, tournez-la dans le sens contraire des aiguilles d'une montre.

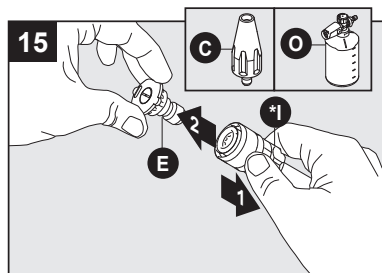


Buse, buse rotative, assemblage de canon de mousse

Tirez sur le collier de la lance (*I), insérez la buse (E) et buse rotative (C) ou canon en mousse (O) de votre choix à l'extrémité de la lance (*I). Vous devriez entendre un clic indiquant que la buse est bien en place.

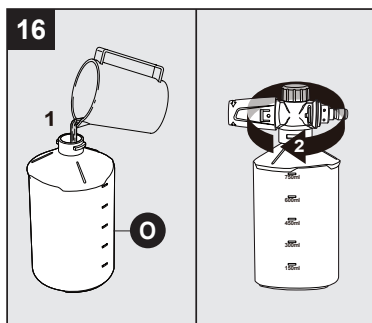
⚠ ATTENTION - Verrouillez toujours la gâchette lorsque vous remplacez la lance et les buses afin de prévenir leur éjection accidentelle.

INSTRUCTIONS D'ASSEMBLAGE



Buse, buse rotative, démontage de canon de mousse

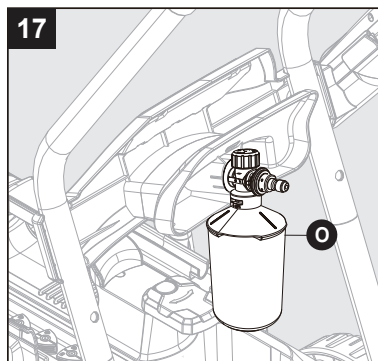
Pour retirer la buse (E), la buse rotative (C) ou le canon de mousse (O), retirez le collier de lance (*I) et retirez la buse (E), la buse rotative (M) ou le canon de mousse (O).



Installation de la mousse canon

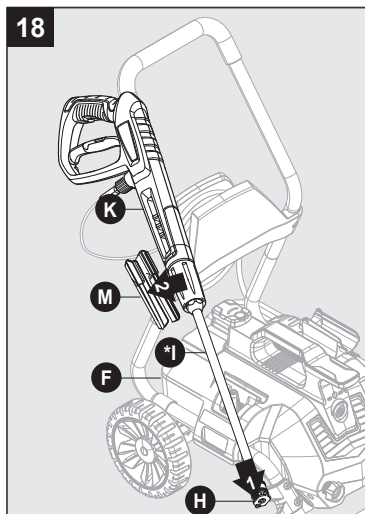
La mousse canon (O) dispose d'un bouchon haute pression muni d'une paille. Si vous ne voyez pas la paille, regardez à l'intérieur de la mousse canon, puis fixez-la au bouchon haute pression. Au moment d'utiliser mousse canon, remplissez-la avec la quantité d'eau et de détergent indiquée sur la bouteille.

N'UTILISEZ PAS un détergent épais ou sous forme de gel. Ceux-ci risquent de boucher la mousse canon et de l'endommager.



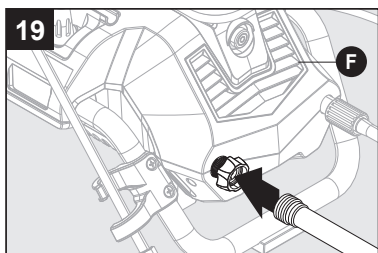
Stockage Mousse canon

Store la mousse canon (O) à l'arrière de l'unité de la rondelle d'alimentation (C).



Insérer la lance de rallonge (*I) dans le porte-buse (H) et pistolet de pulvérisation de presse (K) avec lance de rallonge (*I) dans étui de pistolet de pulvérisation (M).

INSTRUCTIONS D'ASSEMBLAGE



Fixez un tuyau d'arrosage à l'adaptateur intégré pour tuyau d'arrosage. Votre laveuse à pression est maintenant reliée à l'alimentation en eau.



ATTENTION - Flush avant de se connecter :

Rincez toujours votre tuyau de jardin avant de le connecter à l'adaptateur de tuyau de jardin. Cela aide à empêcher que les débris entrent dans la pompe et causent des dommages.



ATTENTION - Siège à fil :

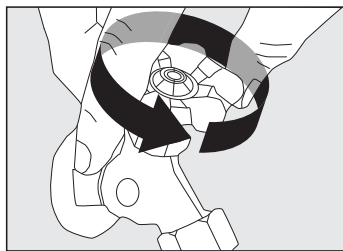
Assurez-vous que les filets de tuyau de jardin s'appuient entièrement contre la bague torique à l'intérieur de l'adaptateur de tuyau de jardin (GHA).

Certains tuyaux légers ou extensibles peuvent avoir des fils courts qui ne s'assoient pas correctement. Cela peut entraîner des fuites, des performances réduites ou des difficultés à maintenir la pression.

Ajouter une rondelle de tuyau de jardin derrière le filtre peut réduire la longueur du fil nécessaire. Les rondelles de tuyaux de jardin sont disponibles dans la plupart des quincailleries.

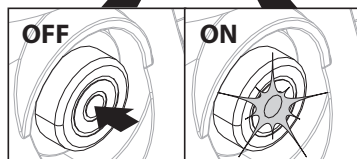
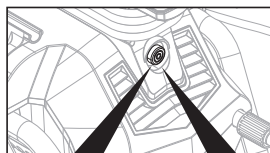
MODE D'EMPLOI

1. Vérifiez que toutes les connexions sont sécurisées.



2. Mettez en marche l'alimentation en eau au robinet jusqu'à ce qu'il soit entièrement ouvert.
3. Retirez le câble d'alimentation de l'unité en pivotant le crochet de câble à droite ou à gauche.
4. Connectez la fiche GFCI directement à une prise de 15 ampères, 120 volts.
5. Test GFCI. (Voir les conseils d'exploitation à la page 31.)
6. Libérez le levier de verrouillage de sécurité sur la gâchette en appuyant sur le levier vers le bas et dans la gâchette.
7. Pointez le pistolet de pulvérisation dans une direction sûre.
8. Purger l'air de la ligne en pressant la gâchette sur le pistolet de pulvérisation jusqu'à ce qu'il y ait un flux constant d'eau et des bulles d'air s'arrêtent.

9. Continuez à appuyer sur la gâchette.



10. Appuyez sur l'interrupteur d'alimentation. (L'interrupteur s'allume quand ON.)
11. Laissez fonctionner au moins 10 secondes avant de libérer la déclencheuse.
12. Libérez la déclencheuse du pistolet de pulvérisation pour arrêter la lave-électricité. C'est une fonction normale de la fonction de démarrage automatique.
13. Commencez le nettoyage en appuyant sur la gâchette du pistolet de pulvérisation.

MODE D'EMPLOI

Conseils d'utilisation

- Placez toujours le nettoyeur à pression devant vous lors de la connexion du tuyau haute pression pour assurer un alignement correct.
- Serrer à la main tous les raccords de tuyau. Ne pas utiliser d'outils comme des pinces ou des pinces de verrouillage.
- Après avoir éteint l'unité, tirez sur la gâchette du pistolet de pulvérisation 2 à 3 fois pour libérer toute pression restante avant de déconnecter les tuyaux ou les accessoires.

Avertissements



AVERTISSEMENT - Ne pas sécher:

Ne jamais utiliser le nettoyeur à pression sans eau. Le séchage de la pompe provoquera des dommages permanents et annulera la garantie.



AVERTISSEMENT - Connexion du tuyau:

Assurez-vous que le tuyau haute pression est entièrement fileté (au moins six tours complets). Un tuyau mal connecté peut se détacher sous pression.



AVERTISSEMENT - Sécurité électrique:

Cette unité comprend une prise GFCI pour une protection supplémentaire. Ne pas contourner ou le remplacer par une prise non GFCI. Utilisez uniquement des pièces de rechange identiques.

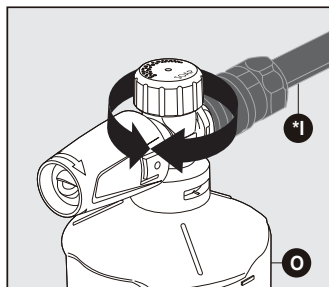
Conseils d'utilisation

- **Remarque:** tester le GFCI (Pour l'unité américaine seulement) avant chaque utilisation:
 1. Branchez le GFCI dans la prise de courant. L'indicateur devrait tourner au vert pour montrer que le cordon a la puissance.
 2. Appuyer sur le bouton test, l'indicateur vert doit s'éteindre pour vérifier que le GFCI coupe l'alimentation du cordon.
 3. Appuyer sur le bouton Reset - l'indicateur vert doit s'allumer pour montrer que le cordon est à nouveau alimenté.
 4. lorsque le GFCI fonctionne correctement, l'indicateur vert s'allume lorsque l'alimentation est appliquée. Si l'indicateur vert s'éteint, il a détecté une fuite électrique et le GFCI a coupé l'alimentation de l'appareil.
- Si vous entendez le moteur tourner par intermittence lorsque vous n'appuyez pas sur la gâchette, c'est normal. La pompe s'amorce elle-même afin d'être prête à fonctionner lorsque vous appuyez sur la gâchette. Éteignez la laveuse à pression si vous ne l'utilisez pas pendant plus de cinq minutes.

- Les anneaux toriques aux deux extrémités du tuyau haute pression et du canon du pistolet de pulvérisation doivent être nettoyés régulièrement et lubrifiés avec une graisse non soluble dans l'eau telle que la gelée de pétrole, la graisse de lithium blanc ou la graisse de silicone..
- Conservez le fil de nettoyage de la buse pour l'utilisation dans le déblocage de la buse. Si vous perdez le fil de nettoyage, tout autre fil droit et mince fonctionne.

Comment éviter d'endommager les surfaces

- Des dommages aux surfaces nettoyées surviennent parce que la force d'impact de la pression d'eau dépasse la durabilité de la surface. Par exemple, vous pourriez sans le vouloir creuser du bois brut ou décaper de la peinture. Vous pouvez varier la force de votre laveuse à pression en contrôlant :
 1. L'angle du jet par rapport à la surface à nettoyer.
 2. La distance entre la buse et la surface à nettoyer.
- N'utilisez **JAMAIS** un jet d'eau à haute pression étroit sur des surfaces molles susceptibles d'être endommagées.
- Utilisez la buse de 25° à raccord rapide lorsque vous nettoyez des fenêtres. Appuyez sur la gâchette et variez le type et l'angle de jet jusqu'à ce que vous obteniez un nettoyage efficace.

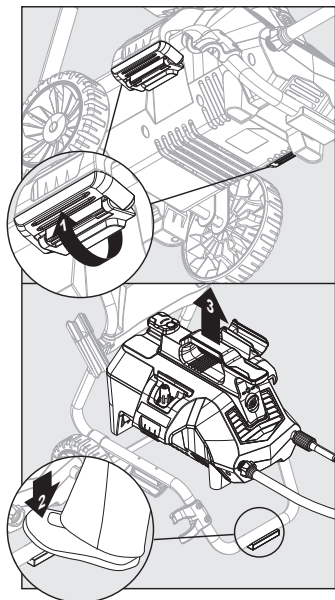


Réglage des niveaux de savon sur le canon en mousse

Tournez le bouton pour régler le niveau de savon comme indiqué sur le dessus du canon en mousse (O). Tournez vers la concentration plus élevée de bulles pour plus de savon, ou la direction opposée pour moins.

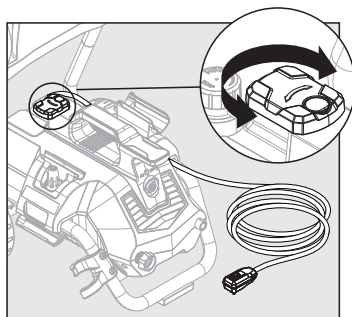
À l'extrémité maximale, le lave-eau électrique tirera un rapport eau-détergent de 10:1 ou 10 parties d'eau à 1 partie de détergent. À l'extrémité minimale, le rapport diminue à 20:1.

MODE D'EMPLOI



Retrait de la laveuse à pression de l'armature pour une utilisation portable

- Repérez les verrous sur la face inférieure du cadre. Débloquer les loquets en tirant vers le bas sur les verrous. Placez un pied sur le coussin à l'avant du châssis inférieur et puis soulevez le bloc d'alimentation machine à laver la poignée.



Utilisation du cordon d'alimentation

- Retirez le cordon d'alimentation de l'appareil en faisant pivoter le crochet du cordon à gauche ou à droite. Le cordon d'alimentation peut être glissé d'un côté ou de l'autre de la laveuse à pression.
- Faites pivoter le crochet du cordon vers le centre lorsque vous êtes prêt à enrouler le cordon aux fins de rangement.

ENTRETIEN ET MAINTENANCE




Utilisation de détergent

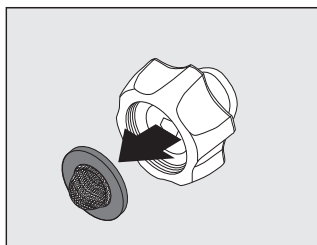
Vous pouvez utiliser des détergents à lavage à pression pour une variété de tâches de nettoyage. Ceux-ci sont disponibles dans la plupart des magasins de matériel et d'amélioration de la maison.

Conseils pour les meilleurs résultats :

- Utilisez uniquement des détergents conçus pour les nettoyeurs à pression.
- Le détergent doit être mince comme l'eau pour éviter de boucher la bouteille ou la buse de détergent.
- Ce système applique le détergent à basse pression, ce qui aide le détergent à décomposer la saleté et la saleté plus efficacement.
- Appliquez toujours le détergent sur une surface sèche. Pré-mouillage de la zone diluera le détergent et réduira son pouvoir de nettoyage.
- Lors du nettoyage des surfaces verticales, appliquez du détergent de bas en haut pour éviter les rayures.
- Rincer le détergent de bas en haut ainsi que pour des résultats uniformes.
- Pour les taches difficiles, réappliquez le détergent et utilisez une brosse douce ou poillée avant de rincer.

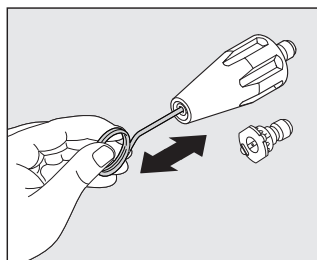
Avertissements :

-  Ne laissez pas sécher le détergent à la surface. Cela peut laisser des résidus ou provoquer des stries.
-  Ne pas utiliser de nettoyeurs épais ou non dilués. Ils peuvent obstruer le système détergent.
-  Toujours rincer soigneusement après le nettoyage. Les résidus de détergent peuvent endommager les surfaces ou attirer la saleté.



Adaptateur tuyau

L'écran à l'intérieur de l'adaptateur doit être nettoyé périodiquement. Retirez-le en faisant glisser un pouce sur l'écran avec suffisamment de pression pour tirer l'écran et la laveuse. Rincez-le avec de l'eau propre, puis replacez-le dans l'adaptateur.



Nettoyage des buses

- Si une buse est obstruée ou partiellement obstruée, cela peut entraîner une diminution importante de la pression de l'eau ou une vibration de l'appareil pendant son utilisation.
- Éteignez la laveuse à pression.
- Coupez l'alimentation en eau.
- Relâchez toute pression piégée dans le tuyau en éteignant la machine, puis tirez sur la gâchette du pistolet de pulvérisation en pointant dans une direction sûre.

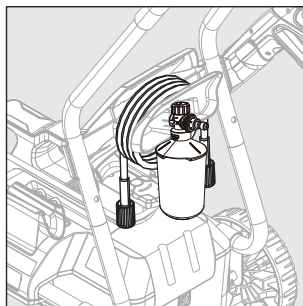
- À l'aide du fil de nettoyage de buse fourni (ou un autre fil fin et droit), nettoyez le trou de la buse en glissant le fil d'avant en arrière jusqu'à ce que les débris se délogent.
- Rincez les buses à l'aide d'un tuyau d'arrosage à la pression la plus élevée possible (utilisez un gicleur standard ou posez votre pouce sur le gicleur pour augmenter la pression de l'eau).

Fermer et stocker votre lave-pression

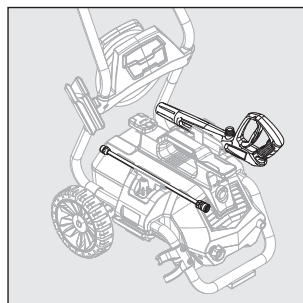
Fermeture étape par étape

1. Éteignez l'interrupteur d'alimentation sur l'avant de l'unité.
2. Débranchez le câble d'alimentation de la prise électrique.
3. Éteignez l'alimentation en eau à la source.
4. Tirez sur la gâchette du pistolet de pulvérisation 2-3 fois pour libérer toute pression d'eau restante.
5. Déconnectez le tuyau de jardin de l'entrée d'eau.

Instructions de stockage

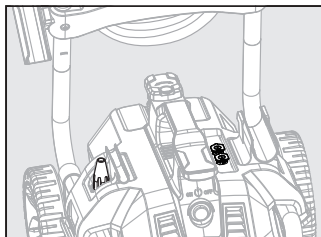


- Retirez le tuyau haute pression du pistolet de pulvérisation et stockez-le sur le crochet du tuyau (situé à l'arrière de l'unité).



- Retirez la lance du pistolet à pulvérisation. Placez le pistolet dans le boîtier et la lance dans la fente désignée en haut de l'unité.

ENTRETIEN ET MAINTENANCE



- Entrez la buse et la buse rotative dans leurs supports des deux côtés de l'unité.
- Videz tout détergent restant de la bouteille. Les produits chimiques résiduels peuvent durcir, contaminer le récipient et obstruer l'injecteur de détergent.
- Rincer la bouteille de détergent et la tête de buse avec de l'eau propre pour éviter l'accumulation.
- Windez le câble d'alimentation autour des crochets en forme de L situés en haut de la machine.

⚠ ATTENTION - Ne pas conserver dans des conditions de congélation:

Ne stockez jamais le nettoyeur à pression dans des zones où les températures peuvent tomber en dessous du gel sans une hibernation appropriée. L'eau laissée à l'intérieur de l'unité peut geler, se dilater et causer des dommages internes permanents.

⚠ ATTENTION - Utilisez l'antigel de pompe pour le stockage à froid:

Si vous stockez l'unité dans un garage, un hangar ou un autre espace non chauffé, utilisez un produit antigel conçu pour les pompes de nettoyage à pression pour protéger les composants internes du gel.

⚠ ATTENTION - Pump Saver Recommandé :

Pour une protection supplémentaire pendant le stockage au froid, appliquez un protecteur de pompe (non inclus). Il aide à prévenir le gel, la corrosion et les dommages à l'étanchéité pendant le stockage à long terme.

PROTECTEUR DE POMPE

Le **protecteur de pompe** est un produit qui protège et prolonge la vie de la pompe. Les pièces internes de la pompe resteront ainsi lubrifiées et protégées du gel lors de leur entreposage, peu importe le climat. Il aide également à protéger l'appareil de la corrosion interne. Le numéro de pièce Blue Clean est le : PW64511 (bouteille 16 oz). Commandez en ligne au www.arblueclean.com

Instructions relatives au protecteur de pompe

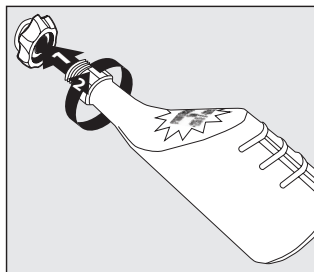
Suivez les instructions d'entreposage de la laveuse à pression. Pour prévenir les taches, protégez la surface qui se trouve sous la laveuse à pression de tout excès de liquide. Portez une protection oculaire lorsque vous utilisez ce produit.

Éteignez l'appareil et débranchez le pistolet avant d'ajouter le protecteur de pompe. Dévissez le goulot fileté de la bouteille pour retirer le joint d'étanchéité et fixez-le de nouveau à la bouteille. Retirez le capuchon noir de la bouteille.

- 1) Haut Place de la bouteille de veille pompe sur le jardin adaptateur.
- 2) Fixer flacon de veille pompe en tournant dans un sens horaire direction.

- 3) Allumer le moniteur.
- 4) Presser la bouteille pour l'aider dans la pompe.
- 5) Éteignez l'appareil lorsque l'économiseur de la pompe quitte la sortie d'eau de la machine.

Remarque : Les instructions qui s'affichent sur la bouteille du protecteur de pompe sont génériques et non spécifiques à ce modèle.



DÉPANNAGE

Pour toute question concernant le produit, communiquez avec le service à la clientèle au 1-866-235-5112.

PROBLEME	CAUSE POSSIBLE	SOLUTION
Basse pression	Le moteur ne fonctionne pas.	Voir la section « L'alimentation ne s'allume pas » du dépannage.
	Autres	Contact customer service.
Faible ou pas de débit d'eau (avec ou sans alimentation)	Approvisionnement en eau insuffisant	- Assurez-vous que le tuyau d'alimentation est ON. - Doit fournir 4-6 GPM d'eau sous pression. - Test de flux de tuyau de jardin avec chronomètre et seau de 5 gallons. Devrait remplir dans la plage de 50-70 secondes.
	Tuyau tordu	- Redressez tous les tuyaux. - Remplacez tout tuyau haute pression tordu.
	Filtre d'adaptateur de tuyau de jardin obstrué	- Vérifiez les débris. - Nettoyer ou remplacer au besoin.
	Buse bouchée	- Retirez la buse et testez sans elle. - Voir « Nettoyage des buses » dans Soins et entretien. - Remplacer si défectueux.
	Bloquage interne	- Commencez à la fin du chemin d'eau et retirez les pièces une par une. - Recherchez un problème de blocage ou de flux d'eau. - Nettoyer ou remplacer la pièce bloquée. - Contactez le service à la clientèle ou consultez le guide de dépannage en ligne.
La puissance ne s'allume pas	Failure du GFCI	Testez le GFCI comme décrit à la page 32. Remplacer si défectueux.
	Buse bouchée	- Retirez la buse et le test. - Nettoyer ou remplacer la buse au besoin (voir « Nettoyage de la buse »)
	TSS (Total Stop System) est activé et la déclencheuse n'est pas tirée	Appuyez sur la gâchette pour activer le moteur lorsque l'alimentation est allumée. (La machine ne fonctionne que lorsque la gâchette est tirée.)
Puissance ou pression en hausse	Buse bouchée	- Retirez la buse et le test. - Nettoyer ou remplacer au besoin (voir « Nettoyage des buses »).
Fuites d'eau lors de la connexion	Une bague torique manquante ou endommagée.	- Remplacez la ou les bagues toriques.

GARANTIE LIMITÉE

Ce produit est assuré par une “garantie limitée de 2 ans” fournie par A.R. North America.

Année 1 – Couverture complète (« Bumper to Bumper »)

Pour la première année à compter de la date d'achat, ce produit est garanti au consommateur de détail original contre les défauts de matériaux et de fabrication. Cela comprend :

- Pistolet de pulvérisation
- Tuyau haute pression
- Tous les accessoires inclus

Il s'agit d'une garantie “non transférable” et s'applique uniquement à “utilisation par le consommateur”. Il est “nul” si le produit est utilisé à des fins de location ou commerciales.

Année 2 – Couverture limitée

La deuxième année de couverture s'applique “uniquement aux défauts du fabricant”. Les accessoires ne sont pas couverts pendant cette période.

Conditions de garantie

- Des précautions raisonnables doivent être prises pendant l'utilisation, en suivant toutes les instructions du “Manuel du propriétaire” et du “Guide de démarrage rapide”.
- Le non-respect des instructions d'exploitation ou d'entretien “ annulera la garantie”.
- Cette garantie vous donne des droits légaux spécifiques. Vous pouvez également avoir d'autres droits qui varient selon l'État.

Réclamations de garantie

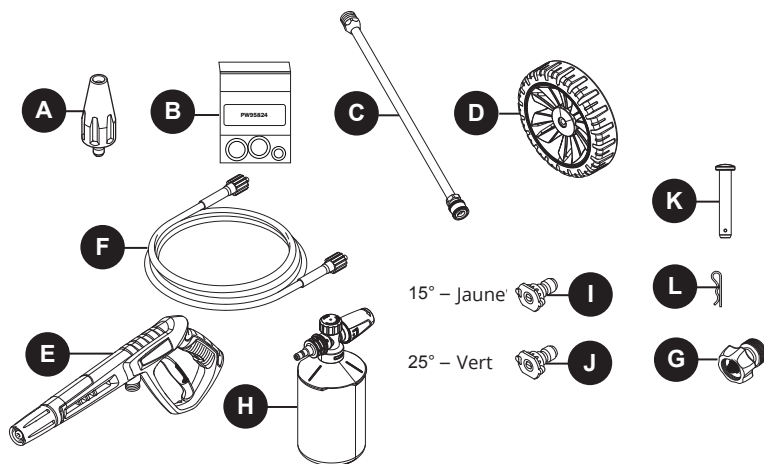
Conservez votre “reçu d'achat original” pour toute réclamation de garantie.

Pour une aide supplémentaire :

- Appelez “Service à la clientèle” au “1-866-235-5112”
- Disponible “Lundi au vendredi, de 8 h à 17 h CST”
- Un représentant vous aidera dans le dépannage et les étapes suivantes.

LISTE DES PIÈCES DE RECHANGE

Pour les pièces de rechange, communiquez avec le service à la clientèle au numéro 1-866-235-5112, 8 h à 17 h, HNC, du lundi au vendredi ou commandez en ligne à l'adresse www.arblueclean.com.



PIÈCE	DESCRIPTION	NO DE PIÈCE
A	Buse rotative	PW6120330
B	Kit de remplacement de joint torique	PW95824
C	Lance	PW6120310
D	Roues	PW4620432
E	Pistolet de pulvérisation	PW6120302
F	Tuyau à haute pression	PW4223470
G	Adaptateur pour tuyau d'arrosage	PW4221570

PIÈCE	DESCRIPTION	NO DE PIÈCE
H	Canon mousse haute pression	PW4620265
I	Buse de 15° à raccord rapide	PW4223100
J	Buse de 25° à raccord rapide	PW4223110
K	Cheville d'essieu	PW4620370
L	Goupille fendue	PW4620380

Imprimé en Vietnam

XH2500



BLUE
CLEAN®

LAVADORA A PRESIÓN ELÉCTRICA

INSTRUCCIONES DE MONTAJE, CUIDADO Y USO

Modelo XH2500
2500 PSI

**IMPORTANTE, CONSERVE ESTAS
INSTRUCCIONES PARA FUTURAS
CONSULTAS: LÉALAS ATENTAMENTE**

ADJUNTE EL RECIBO AL MANUAL

- Boquilla de conexión rápida de 15°, 25°
- Boquilla turbo rotativa de conexión rápida
- Cañón de espuma de alta presión
- Sistema de paro total



INFORMACIÓN SOBRE
EL PRODUCTO

⚠ ADVERTENCIA: Este producto puede exponerle a sustancias químicas, incluido el plomo, DEHP, DINP, trióxido de molibdeno, que el Estado de California reconoce como cancerígenas y/o que producen defectos congénitos. Para obtener más información, visite www.P65Warnings.ca.gov

¿Preguntas, problemas, piezas faltantes?

Antes de regresar a su distribuidor, póngase en contacto con nuestro Departamento de Servicio al Cliente: Para inglés, llame al 1-888-662-9510 o envíe un correo electrónico info@arnorthamerica.com. Para español o francés, por favor envíe un correo electrónico info@arnorthamerica.com. Nuestro Departamento de Servicio al Cliente está disponible de 8:00 a.m. - 5:00 p.m., CST, de lunes a viernes. www.arblueclean.com

97494-LE

LETTE EN FRANÇAIS CANADIEN

Cher client, chère cliente,

Merci d'avoir choisi le nettoyeur haute pression électrique AR Blue Clean. Nous sommes ravis de vous accueillir dans la famille AR Blue Clean!

Ce produit est le fruit de plus de **35 ans** d'écoute de nos clients et d'améliorations continues basées sur vos commentaires. Chaque caractéristique a été soigneusement conçue pour offrir une performance puissante, une fiabilité accrue et une grande facilité d'utilisation-afin que vous puissiez accomplir vos tâches de nettoyage en toute confiance.

Votre nettoyeur est couvert par notre **garantie limitée de 2 ans**, qui protège contre les défauts de matériaux et de fabrication pour l'acheteur initial. Les accessoires-including le pistolet pulvérisateur, le tuyau haute pression et tous les accessoires inclus-sont couverts par une garantie de 90 jours. Cette garantie s'applique à un usage résidentiel et commercial uniquement pour nos modèles Pro, et elle n'est pas transférable.

Si vous avez des questions ou besoin d'assistance, notre sympathique équipe du service à la clientèle, basée à Fridley, MN, est là pour vous aider. Vous pouvez nous joindre au **866-235-5112** ou visiter **ARBLUECLEAN.COM** pour discuter ou nous envoyer un courriel directement.

Nous aimerions beaucoup connaître votre expérience ! Veuillez prendre un moment pour laisser un avis à l'endroit où vous avez effectué votre achat. Vos commentaires nous aident à nous améliorer et à guider d'autres clients dans leurs décisions.

Merci encore-et bon nettoyage !



Cordialement,

L'équipe AR Blue Clean

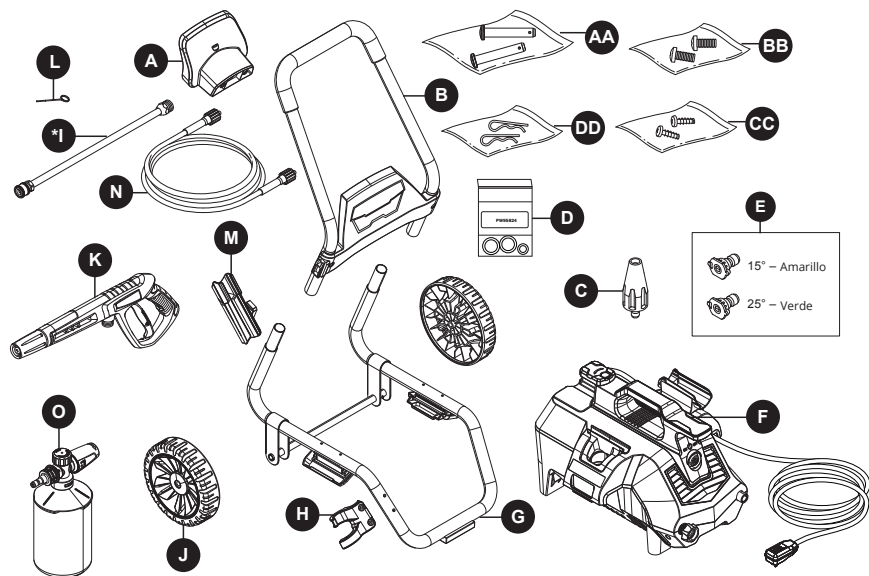
TABLA DE CONTENIDO

Especificaciones del producto.....	41
Contenido del paquete	42
Aditamentos	42
Información de seguridad	43
Instrucciones de montaje	45
Instrucciones de operación	50
Cuidado y mantenimiento	52
Protector de la bomba	54
Solución de problemas	55
Garantía limitada	56
Lista de piezas de repuesto.....	57

ESPECIFICACIONES DEL PRODUCTO

SPECIFICATIONS									
Modelo	Máx. PSI (kg/cm2) (lb/pulgada2)	Clasificada PSI (kg/cm2) (lb/pulgada2)	Máx. GPM (Litro/min) (gal/por min)	Clasificada GPM (Litro/min) (gal/por min)	Agua fría	Voltios	Frecuencia (Hz)	Amperios	Peso (kg) (lb)
XH2500	7314 (2500)	5853 (2000)	6.5 (1.7)	4.2 (1.1)	✓	120	60	13	13.6 (30)

CONTENIDO DEL PAQUETE

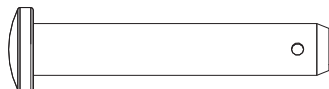


PIEZA	DESCRIPCIÓN	CANTIDAD
A	Soporte para la manguera	1
B	Mango	1
C	Boquilla rotativa	1
D	Kit de recambio de junta tórica	1
E	Boquillas de conexión rápida	2
F	Lavadora de alimentación	1
G	Marco inferior	1
H	Porta tobera	1
*I	Lanza de extensión	1
J	Ruedas	2

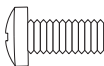
PIEZA	DESCRIPCIÓN	CANTIDAD
K	Arma de aerosol	1
L	Alambre de limpieza del inyector	1
M	Funda de pistola	1
N	manguera de presión alta	1
O	Cañón de espuma de alta presión	1
AA	Perno de eje	2
BB	Tornillos	2
CC	Tornillos	2
DD	Pasador de chaveta	2

* Empaquetado en la unidad lavadora.

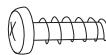
ADITAMENTOS



AA $\Phi 12 \times 65 \text{mm}$
Perno de eje
Cant. 2



BB M6x20
Tornillos
Cant. 2



CC 4.8x16mm
Tornillos
Cant. 2



DD $\Phi 2.5$
Pasador de chaveta
Cant. 2

INFORMACIÓN DE SEGURIDAD

Por favor lea y entienda todo este manual antes de intentar ensamblar y operar el producto.

Este manual contiene información relacionada con la PROTECCIÓN DE LA SEGURIDAD PERSONAL y la PREVENCIÓN DE PROBLEMAS DEL EQUIPO. Es muy importante que lea atentamente este manual y que lo comprenda completamente antes de utilizar el producto. Los símbolos que se describen a continuación se utilizan para indicar esta información.



PELIGRO

Peligro potencial que **puede provocar lesiones graves o incluso la muerte.**



ADVERTENCIA

Peligro que **podría provocar lesiones graves o incluso la muerte.**



PRECAUCIÓN

Peligro potencial que **puede provocar lesiones moderadas o daños al equipo.**

Nota: La palabra "Nota" se utiliza para informar al lector de algo que el operador debe saber acerca de la herramienta.



ADVERTENCIA

Para reducir el riesgo de lesiones, el usuario debe leer y comprender las instrucciones antes de utilizar este producto.

1. Advertencia: al utilizar este producto, siempre se deben seguir las precauciones básicas, incluido lo siguiente:
2. Lea todas las instrucciones antes de usar el producto.
3. Obtenga el conocimiento de cómo detener el producto y purgar la presión rápidamente. Está completamente familiarizado con los controles.
4. Mantenga el área de operaciones sin personas.
5. No se estire demasiado ni se pare sobre un soporte inestable. Mantenga una buena posición y el equilibrio en todo momento.
6. Siga las instrucciones de mantenimiento como se especifica en el manual.
7. Para evitar lesiones personales o daños a la propiedad y para maximizar su experiencia con la lavadora a presión, siga cuidadosamente todos los consejos de seguridad, instrucciones, advertencias y salvaguardias, y familiarícese con todos los controles.
8. Esta lavadora a presión cumple con las normas de la Asociación de Normas Canadiense (CSA) y otras normas de seguridad y del consumidor. **NO** modifique o reconstruya ninguna pieza de la lavadora a presión.
9. **NO** utilice la lavadora a presión cuando se encuentre bajo la influencia del alcohol o de drogas. Utilice esta herramienta a presión cuidadosamente y solo cuando esté atento.
10. Cuide su equilibrio y postura al utilizar la lavadora a presión. Las superficies se vuelven resbaladizas al mojarse y son extraordinariamente resbaladizas al usar un detergente o limpiador.
11. **NUNCA** opere la lavadora a presión descalzo, con sandalias o zapatos abiertos.
12. Cuando utilice la lavadora a presión cerca de niños, asegúrese de que estén siendo supervisados de cerca por un adulto para evitar lesiones. **NUNCA** permita que un niño utilice la lavadora a presión.
13. Mantenga los dedos, las manos, los pies y cualquier parte del cuerpo a distancia de la corriente de agua de alta presión. El rociador de alta potencia puede ocasionar ceguera o hacer estallar la piel. Puede romper una ventana si se encuentra demasiado cerca al accionar el gatillo de la pistola rociadora.
14. **SIEMPRE** utilice gafas de protección para evitar lesiones a los ojos al operar la lavadora a presión.
15. Para evitar accidentes o lesiones, **SIEMPRE** use el bloqueo de seguridad del gatillo cuando no utilice la lavadora a presión, incluso si la rociadura se detiene por un momento.
16. La lavadora a presión está equipada con un interruptor de circuito por falla a tierra (GFCI) (Sólo para unidades de EE. UU.), que reduce en gran medida el riesgo de una descarga eléctrica mientras la unidad está en uso. Si es necesario reemplazar el conector o el cable, utilice solo piezas de repuesto idénticas.
17. Apunte la pistola rociadora en una dirección segura al iniciar una sesión de lavado a presión.
18. **ADVERTENCIA-NUNCA** rocíe directamente a una persona, animal, dispositivo eléctrico ni rocíe la propia unidad.
19. Cuando use la pistola de rociadora, sostenga la pistola rociadora y la lanza con las dos manos cuando tire del gatillo (una mano para tirar el gatillo y la otra para estabilizar el ensamble de la pistola) hasta que se acostumbre al "retroceso" de la pistola rociadora.
20. Cuando usted presiona el interruptor para apagar la arandela de la energía, waterpressure puede permanecer en el sistema. Para la descarga de la presión, punto y salpicó arma en una dirección segura y apretar el gatillo.
21. **NUNCA** rocíe líquidos inflamables.
22. **NUNCA** use la lavadora a presión en áreas que contengan polvo, líquidos o vapores combustibles.
23. Evite el contacto de la manguera de presión con objetos afilados e inspeccione la manguera con regularidad. Reemplace si se daña. Debido a la alta presión implicada, no se puede reparar si se corta o daña.
24. Solo use el detergente formulado específicamente para lavadoras a presión y siga las instrucciones en

INFORMACIÓN DE SEGURIDAD

la etiqueta del detergente.

25. Proteja los ojos, los pulmones y la piel de la exposición al detergente.
26. **ADVERTENCIA**-Si se hace la conexión a un sistema de agua potable, el sistema debe estar protegido contra el reflujo.



PRECAUCIÓN

Almacene la lavadora a presión bajo techo para evitar que el agua en la unidad se expanda en condiciones muy frías. Al congelarse y expandirse el agua, la lavadora a presión se dañará y dejará de funcionar. O bien, si se almacena al aire libre, se recomienda que utilice el protector de la bomba (no incluido) para proteger las bombas.

27. **NUNCA** use agua caliente con la lavadora a presión. Esto sobrecalentará y dañará la bomba de presión alta.
28. **NUNCA** abandone la lavadora a presión mientras está encendida "ON".
29. **SIEMPRE** abra el suministro de agua "ON" antes de conectar la alimentación de la lavadora a presión en "ON". Poner en funcionamiento la bomba en seco ocasionará daños en los componentes internos.
30. **NUNCA** utilice para la lavadora a presión un

- suministro de agua que exceda los 150 PSI máximo.
31. **NUNCA** desconecte la manguera de presión alta de la lavadora a presión mientras se presuriza el sistema.
32. **NUNCA** enganche de manera permanente los dispositivos del gatillo de la pistola rociadora.
33. **NUNCA** opere la lavadora a presión a menos que todos los componentes estén conectados de manera correcta y segura.
34. **NUNCA** permita que la bomba de la lavadora a presión funcione por más de un minuto después de cerrar el suministro de agua. Esto puede ocasionar que el motor y la bomba se sobrecalienten y fallen.
35. **NUNCA** utilice lanzas ni otras piezas que no sean compatibles con esta unidad AR Blue Clean específica.
36. **NUNCA** utilice un cable de alimentación de extensión debido a que este anula la efectividad del GFCI (Sólo para unidades de EE. UU.) e incrementa la posibilidad de electrocutar al operador.
37. **NUNCA** rocíe las tomas de corriente con la lavadora a presión.
38. Inspeccione el cable de alimentación antes de utilizarlo. **NO** lo utilice si está dañado.
39. Manténgase alerta-observe lo que está haciendo.

CONSERVE ESTAS INSTRUCCIONES PARA FUTURAS CONSULTAS.

Servicio de un aparato de doble aislamiento

Dispositivo con doble aislamiento y protección GFCI (solo modelos estadounidenses)

Esta lavadora de presión está equipada con un interruptor de circuito de falla de tierra (GFCI) integrado en el enchufe del cable de alimentación. Proporciona protección adicional contra choques eléctricos e incluye una función de detección automática para asegurarse de que funciona correctamente.

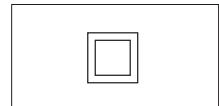
IMPORTANTE: Si el enchufe o el cable necesita ser reemplazado, utilice solo piezas idénticas que incluyan protección GFCI.

Esta unidad es un aparato de doble aislamiento, lo que significa que tiene dos capas de aislamiento y no requiere una conexión a tierra. No intente poner a tierra la unidad ni modificarla para agregar conexión a tierra.

Advertencia de servicio:

Los productos con doble aislamiento solo deben ser atendidos por personal cualificado. Utilice solo piezas de repuesto originales marcadas para aislamiento doble.

Busca la etiqueta "doble aislado" o el siguiente símbolo para identificar esta característica:



Producto de doble aislamiento

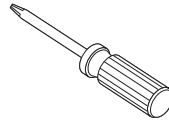
Nota: vea la página 50 para las instrucciones de operación.

PREPARACIÓN

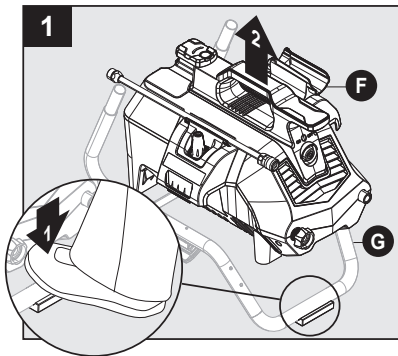
Antes de comenzar el montaje del producto, asegúrese de que todas las partes están presentes. Compare las piezas con el listado de paquetes de contenido y la lista de contenido de hardware. Si cualquier pieza falta o está dañada, no intente montar el producto. Por favor llame al servicio al cliente al 1-866-235-5112. Las piezas de repuesto se enviarán sin cargo.

Tiempo estimado de montaje: 5 minutos.

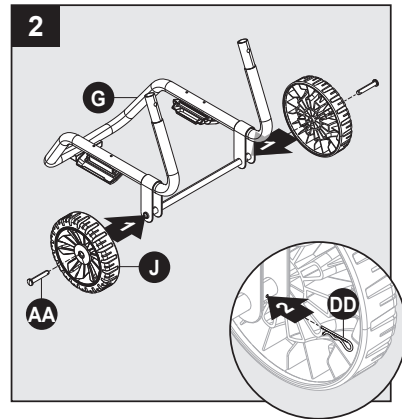
Herramientas necesarias para el montaje (no incluido):
Destornillador Phillips.



INSTRUCCIONES DE MONTAJE



Coloque un pie sobre la almohadilla en la parte delantera de la parte inferior marco (G) y luego levante el marco de la unidad de arandela (F). Ponga la lavadora a presión (F) a un lado.



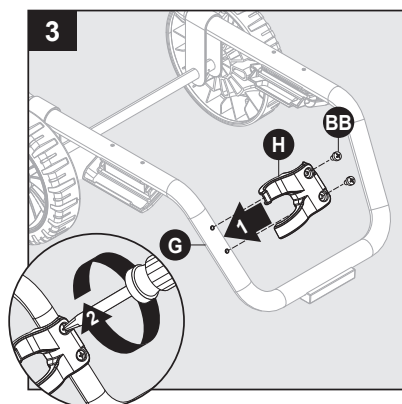
Ensamblaje del marco

Instale pernos de eje (AA) y ruedas (J) para bajar de marco (G). Fijelos con pasadores de chaveta (DD).

Aditamentos que se utilizan:



INSTRUCCIONES DE MONTAJE



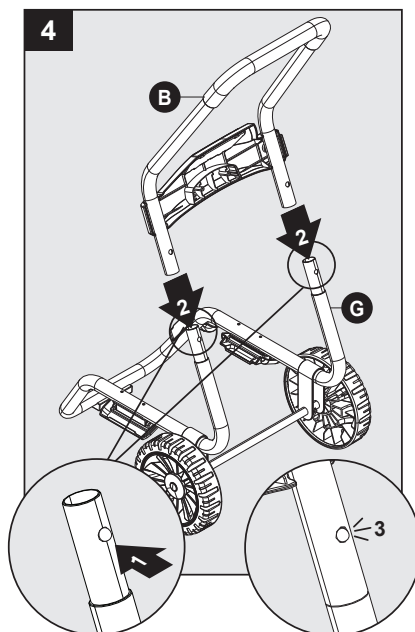
Instale a porta tobera (H) en el armazón inferior (G). Fijar con dos tornillos (BB).

Aditamentos que se utilizan:

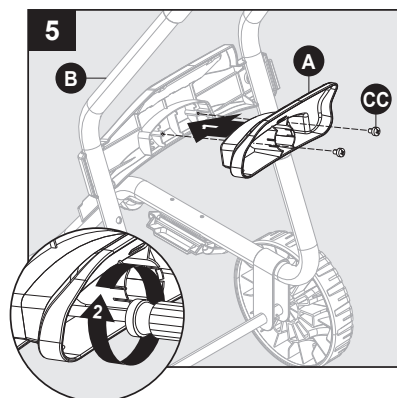
BB Tornillos



x 2



Botones en prolongaciones del chasis (G) menor e instale la manija (B). Prolongaciones del chasis inferiores clic cuando el mango está en posición correcta.



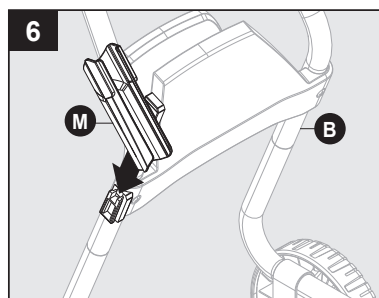
Instale la manguera soporte (A) en parte posterior de la parte superior de la manija (B). Fijar con dos tornillos (CC).

Aditamentos que se utilizan:

CC Tornillos

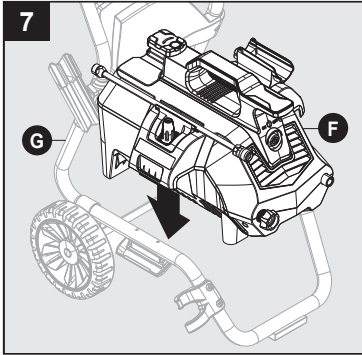


x 2

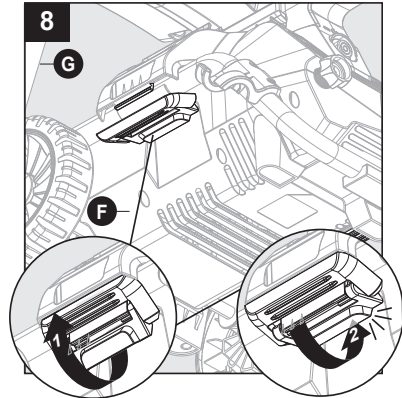


Deslice la funda de pistola (M) en su lugar en la asa superior (B).

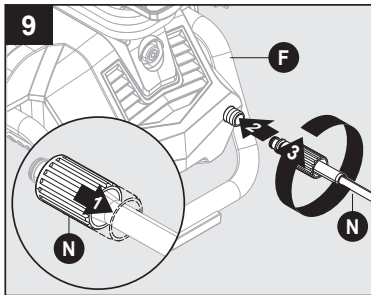
INSTRUCCIONES DE MONTAJE



Coloque la unidad de arandela (F) en posición en el cuadro inferior (G).



Tire hacia arriba de pestillos que se encuentran en lados del marco inferior (G). Una vez cierre superior quede a ras con el labio inferior, empuje hacia abajo hasta que el pestillo inferior encaje en su lugar.

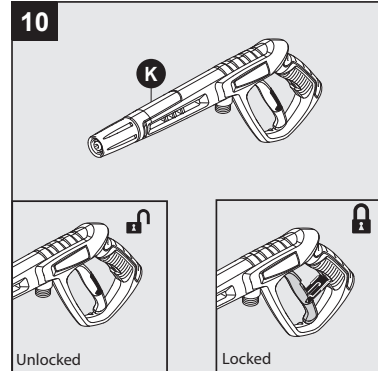


Montaje de manguera de alta presión

Retira el collar en cada extremo de la manguera de alta presión (N). Empujar firmemente el poste central en la tubería de salida en la unidad de lavado eléctrico (F). Torce el collar para asegurar. Confirme que la manguera está bloqueada en la unidad de lavadora eléctrica tirando ligeramente de la manguera. La manguera está ahora fijada de forma segura.

ADVERTENCIA: Si no se aprieta adecuadamente la manguera de alta presión puede provocar que la manguera se deslice o se desconecte cuando la unidad está encendida, lo que puede dar lugar a una descarga repentina de agua o a una pérdida de presión. Asegúrese siempre de que la manguera esté completamente roscada y segura antes de operar.

Nota: **NO** utilice alicates ni pinzas de presión para apretar.

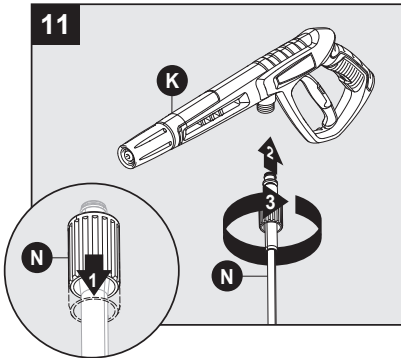


Pistola de cierre (antes de la instalación de la lanza)

Cerradura de gatillo de pistola (K), apunte la pistola lejos de usted y gire a la cerradura. Apretar o tirar de gatillo para asegurarse de que está bloqueado. SIEMPRE dejar en posición cerrada cuando no esté en uso. Esto asegura que el arma está en modo "seguro" hasta que esté listo para su uso. Gire el dial para desbloquear para liberar el gatillo de la pistola.

Nota: El seguro del gatillo impide gatillo enganchado accidentalmente.

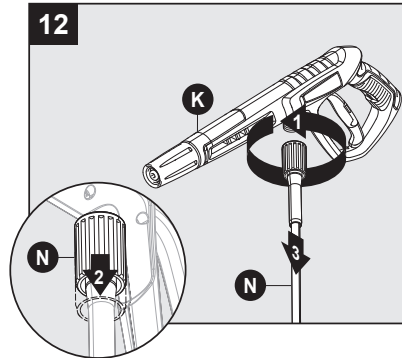
INSTRUCCIONES DE MONTAJE



Montaje de manguera de alta presión

Retirar el collar en el otro extremo de la manguera de alta presión (N). Empujar firmemente el poste central en la pistola de pulverización (K). Torce el collar para asegurar. Confirme que la manguera está bloqueada en la pistola de pulverización tirando ligeramente de ellas. La manguera está ahora fijada de forma segura a la pistola de pulverización.

Consejo de montaje: Aplique grasa de litio blanco o grasa de silicona a los anillos tóricos en el cilindro de la pistola de pulverización (K) y ambos extremos de la manguera de alta presión (N) para facilitar la conexión y la desconexión.

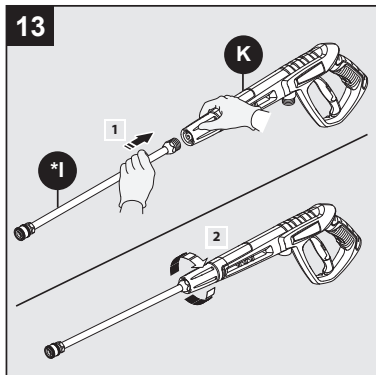


Desmontaje de manguera de alta presión

Para retirar la manguera de alta presión, gire el collar y luego tire hacia atrás para liberar la conexión de la manguera de alta presión (N) del pistola (K).

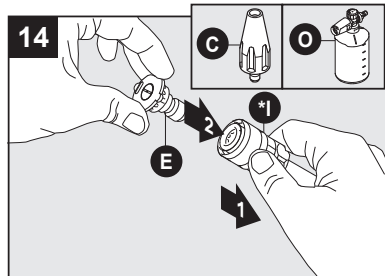
IMPORTANTE: Antes de quitar la manguera de alta presión, siempre apague la máquina y, a continuación, tire del gatillo de la pistola de pulverización 2-3 veces. Esto liberará cualquier presión de agua restante en el sistema y ayudará a prevenir la pulverización repentina o la dificultad para desconectar la manguera.

IMPORTANTE: Siempre desconecte la pistola de pulverización y la manguera de alta presión después de cada uso. Esto evita la acumulación de minerales en los hilos y hace que el desmontaje futuro sea mucho más fácil.



Instalación de la lanza

Mientras la pistola de pulverización (K) está en la posición bloqueada, inserte la lanza (*I) en el extremo de la pistola de pulverización insertando firmemente y girando en el sentido horario hasta que esté completamente en su lugar. Para quitarlo, gire en sentido antihorario.

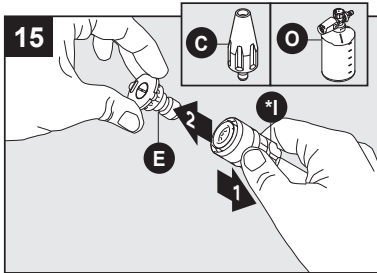


Boquilla, boquilla rotativa, montaje de cañón de espuma

Tire hacia atrás el collar de la lanza (*I) y acople boquilla (E) y el nozzle (C) o el cañón de espuma (O) rotatorio en el extremo de la lanza (*I) presionando la boquilla seleccionada en su lugar. Va a hacer un "clik" de sonido cuando firmemente en su lugar.

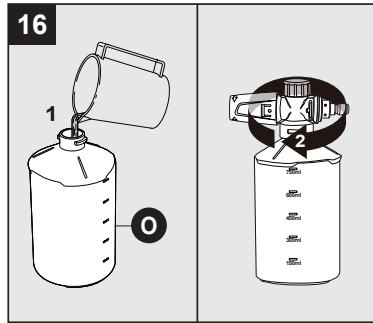
! PRECAUCIÓN - Siempre Presione el botón de bloqueo de seguridad para bloquear el disparador cuando cambie de lanzas y boquillas para asegurarse de que no accidentalmente expulsar con fuerza durante la extracción.

INSTRUCCIONES DE MONTAJE



Boquilla, Boquilla rotativa, Desmontaje de cañón de espuma

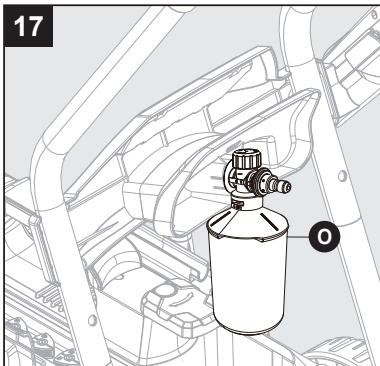
Para retirar la boquilla (E), la boquilla giratoria (C) o el cañón de espuma (O), tire hacia atrás del collar del lanza (*1) y saque la boquilla (E), la boquilla giratoria (C) o el cañón de espuma (O).



Instalación de la espuma del cañón

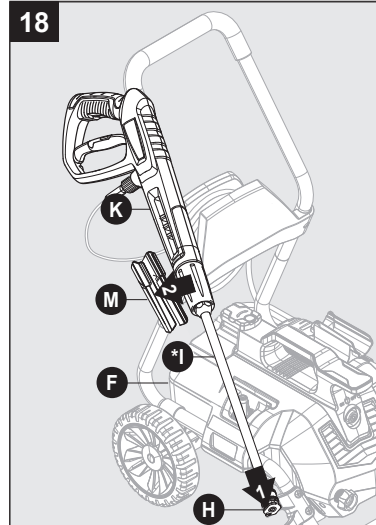
La espuma del cañón (O) viene con una pajilla que se adapta en la tapa con presión alta. Si no ve la pajilla, mire dentro de la espuma del cañón y acóplela en la tapa con presión alta. Cuando use la espuma del cañón, llénela con un detergente o limpiador formulado apropiadamente con una proporción de agua de acuerdo a las instrucciones en el envase.

NO use detergentes espesos ni de tipo gel ya que obstruirán la espuma del cañón y podrían ocasionar daños.



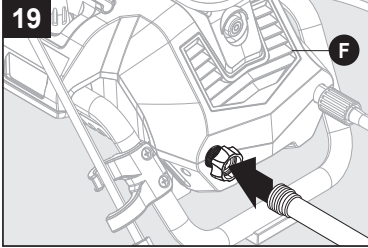
Espuma del cañón de almacenamiento

Almacene la espuma del cañón (O) en la parte posterior de la unidad de la lavadora de energía (C).



Inserte la lanza de extensión (*1) en porta tobera (H) y la prensa pistola (K) con lanza de extensión (*1) en funda de pistola (M).

INSTRUCCIONES DE MONTAJE



Conecte una manguera de jardín a construida en manguera de jardín adaptador. El agua ahora está conectado a su lavadora.



PRECAUCIÓN - Enjuague antes de conectar:

Siempre enjuague su manguera de jardín antes de conectarla al adaptador de manguera de jardín. Esto ayuda a evitar que los desechos entren en la bomba y causen daños.



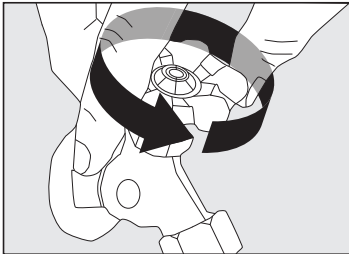
PRECAUCIÓN - Asiento de la rosca:

Asegúrese de que las roscas de la manguera de jardín se asienten completamente contra el anillo en O dentro del adaptador de manguera de jardín (GHA). Algunas mangueras ligeras o expandibles pueden tener roscas cortas que no se asientan correctamente. Esto puede provocar fugas, reducir el rendimiento o dificultar el mantenimiento de la presión.

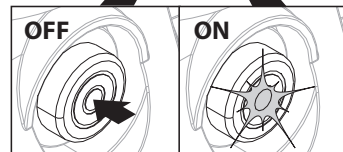
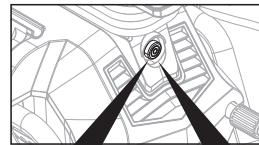
Agregar una arandela de manguera de jardín detrás del filtro puede reducir la longitud de hilo necesaria. Las lavadoras de mangueras de jardín se pueden comprar en la mayoría de las tiendas de hardware.

INSTRUCCIONES DE OPERACIÓN

1. Compruebe que todas las conexiones estén seguras.



2. Encienda el suministro de agua en el grifo hasta que esté completamente abierto.
3. Retire el cable de alimentación de la unidad girando el gancho del cable a la derecha o a la izquierda.
4. Conecte el enchufe GFCI directamente a una salida de 120 voltios de 15 amperios.
5. Prueba GFCI. (Ver consejos de operación en la página 50.)
6. Libere la palanca de bloqueo de seguridad en el gatillo presionando la palanca hacia abajo y dentro del gatillo.
7. Apunte la pistola en una dirección segura.
8. Purga el aire de la línea presionando el gatillo en la pistola de pulverización hasta que haya una corriente constante de agua y las burbujas de aire se detengan.
9. Continúe presionando el gatillo.



10. Empuje el interruptor de alimentación (el interruptor se encenderá cuando esté encendido).
11. Deje que se ejecute por lo menos 10 segundos antes de soltar el gatillo.
12. Solte el gatillo de la pistola para detener la lavadora eléctrica. Esta es una función normal de la función de inicio automático.
13. Comience la limpieza presionando el gatillo en la pistola de pulverización.

INSTRUCCIONES DE OPERACIÓN

Consejos de uso

- Siempre coloque el lavador de presión delante de usted cuando conecte la manguera de alta presión para asegurar la alineación adecuada.
- Apriete a mano todos los accesorios de manguera. No utilice herramientas como pinzas o pinzas de bloqueo.
- Después de apagar la unidad, tira del gatillo de la pistola de pulverización 2-3 veces para liberar cualquier presión restante antes de desconectar las mangueras o accesorios.

Advertencias



ADVERTENCIA - No se seque:

Nunca utilice el lavador a presión sin agua. Hacer funcionar la bomba seca causará daños permanentes y anulará la garantía.



ADVERTENCIA - Conexión de manguera:

Asegúrese de que la manguera de alta presión esté completamente roscada (al menos seis giros completos). Una manguera mal conectada puede desprenderse bajo presión.



ADVERTENCIA - Seguridad Eléctrica:

Esta unidad incluye un enchufe GFCI para mayor protección. No lo eluda ni lo reemplace con un enchufe no GFCI. Utiliza solo piezas de repuesto idénticas.

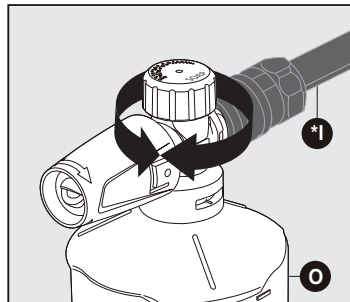
Extremidades de la operación

- **Nota:** Pruebe el GFCI (Sólo para unidades de EE. UU.) antes de cada uso:
 1. Enchufe el GFCI en la toma de corriente. El indicador debe volverse verde para mostrar que el cable tiene energía.
 2. Presione el botón de prueba, el indicador verde debe apagarse para verificar que el GFCI cortó la alimentación del cable.
 3. Presione el botón RESET – el indicador verde debe encenderse para mostrar que el cable tiene energía de nuevo.
 4. cuando el GFCI esté funcionando correctamente, el indicador verde se encenderá cuando se aplique la energía. Si el indicador verde se apaga, ha detectado fugas eléctricas y el GFCI cortó la alimentación eléctrica al electrodoméstico.
- Si oye el motor funcionar intermitentemente cuando no se aprieta el gatillo, es normal. La bomba está cebando para que esté lista para operar cuando se aprieta el gatillo. Desconecte la lavadora si no se utiliza después de cinco minutos.
- Los anillos tóricos en ambos extremos de la manguera de alta presión y el cilindro de la pistola de pulverización deben limpiarse regularmente y lubricarse con grasa no soluble en agua como gelatina de petróleo, grasa de litio blanco o grasa de silicona..

- Mantenga el cable de limpieza de la boquilla para su uso en el desbloqueo de la boquilla. Si pierde el alambre de limpieza, cualquier otro alambre fino y recto funciona.

Cómo evitar dañar las superficies How to Avoid Damaging Surfaces

- Daños a las superficies se limpian se produce porque la fuerza de impacto de la presión del agua excede la durabilidad de la superficie. Puede penetrar la madera desnuda, la pintura puede ser pelada apagado, etc.. Puede variar la fuerza de su lavadora mediante el control de:
 1. el ángulo de la superficie a limpiar.
 2. la distancia de la boquilla de la superficie a limpiar.
- Nunca use un chorro estrecho a alta presión de agua sobre superficies blandas susceptibles al daño.
- Uso el 25° ángulo rápido Conecte la boquilla al limpiar los cristales. Apriete el gatillo y variar la forma del chorro y el ángulo hasta logra una óptima eficiencia de limpieza.

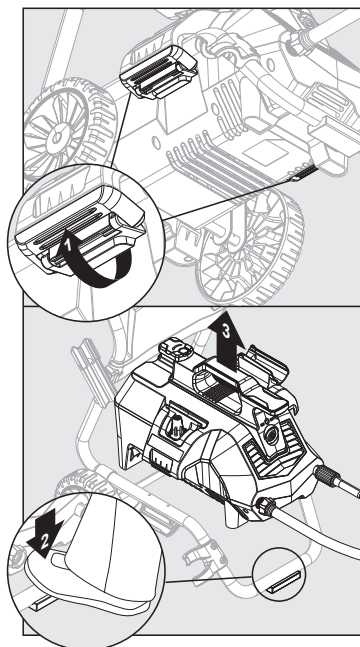


Ajuste los niveles de jabon en espuma Cannon

Giro la perilla para ajustar el nivel de jabón como se indica en la parte superior de la espuma Cannon (O). Giro hacia la mayor concentración de burbujas de jabón, o en la dirección opuesta para menos.

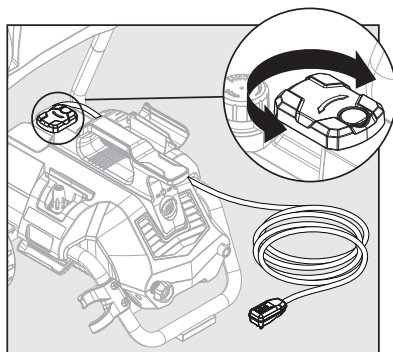
En el extremo máximo, la lavadora eléctrica tirará una relación de agua a detergente de 10:1 o 10 partes de agua a 1 parte de detergente. En el extremo mínimo, la relación se reduce a 20:1.

INSTRUCCIONES DE OPERACIÓN



Quitar alimentación lavadora de marco para la operación de mano

Ubique los pestillos de la parte inferior del marco. Desbloquear trabas tirando hacia abajo los pestillos. Coloque un pie sobre la almohadilla en la parte delantera de la armazón inferior y luego levante la unidad lavadora del marco.



Utilizando el cable de alimentación

- Remueva el cable de alimentación de la unidad giratoria del gancho del cordón a la derecha o la izquierda. Luego el cable de alimentación puede ser deslizado apagado a ambos lados de la unidad lavadora.
- Cable giratorio gancho al centro cuando esté listo para enrollar el cable en su lugar de almacenamiento.

CUIDADO Y MANTENIMIENTO

Uso de detergente

Puede usar detergentes seguros para lavadoras a presión para una variedad de tareas de limpieza. Estos están disponibles en <http://www.arblueclean.com> o en la mayoría de las tiendas de hardware y mejoras para el hogar.

Consejos para obtener los mejores resultados:

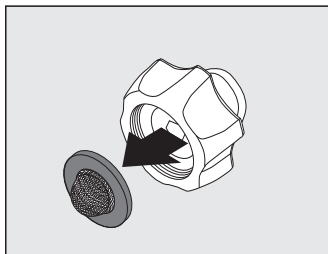
- Utilice solo detergentes diseñados para lavadores a presión.
- El detergente debe ser tan delgado como el agua para evitar obstruir la botella o boquilla de detergente.
- Este sistema aplica detergente a baja presión, lo que ayuda al detergente a descomponer la suciedad y la suciedad de manera más eficaz.
- Aplique siempre detergente en una superficie seca. Prehmedecer el área diluirá el detergente y reducirá su poder de limpieza.

- Al limpiar superficies verticales, aplique detergente desde abajo para evitar rayas.
- Enjuague el detergente desde abajo hacia arriba para obtener resultados uniformes.
- Para manchas duras, reaplique el detergente y utilice un cepillo suave o cerdillado antes de enjuagar.

Precauciones:

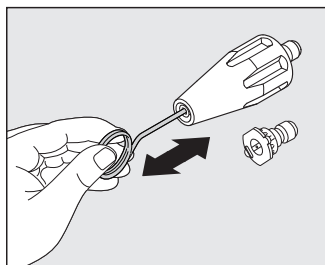
- ⚠ No deje que el detergente se seque en la superficie. Esto puede dejar residuos o causar rayas.
- ⚠ No utilice limpiadores gruesos o sin diluir. Pueden obstruir el sistema de detergente.
- ⚠ Siempre enjuague bien después de la limpieza. Los residuos de detergente pueden dañar superficies o atraer suciedad.

CUIDADO Y MANTENIMIENTO



Adaptador de manguera

La pantalla dentro del adaptador debe limpiarse periódicamente. Quítela arrastrando un pulgar sobre la pantalla con suficiente presión para sacar la pantalla y la arandela. Enjuáguela con agua limpia y vuelva a colocarla en el adaptador.



Limpieza de las boquillas

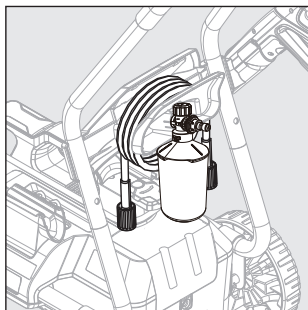
- Una boquilla obstruida o parcialmente obstruida puede ocasionar una reducción significativa de la presión del agua que sale de la boquilla y hacer que la unidad vibre durante el rociado.
- Apague la unidad.
- Cierre el suministro de agua a la unidad.
- Alivia cualquier presión atrapada en la manguera apagando la máquina, luego tira del gatillo de la pistola de pulverización mientras apunta en una dirección segura.
- Utilice el limpiador de la punta de la boquilla proporcionado (o otro alambre delgado y recto), inserte el alambre en el agujero de la boquilla y muévalo hacia adelante y hacia atrás hasta que los residuos se desprendan.
- Lave a contracorriente con agua a través de las boquillas con la manguera de jardín y a la máxima presión disponible (ya sea con la boquilla de agua estándar o con el pulgar sobre la boquilla para crear la presión de agua para el lavado a contracorriente).

Apagar y almacenar su lavadora a presión

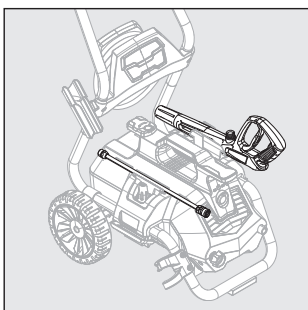
Apagado paso a paso

1. Apague el interruptor de alimentación en la parte delantera de la unidad.
2. Desconecte el cable de alimentación de la toma eléctrica.
3. Apague el suministro de agua en la fuente.
4. Tira del gatillo de la pistola de pulverización 2-3 veces para liberar cualquier presión de agua restante.
5. Desconecte la manguera del jardín de la entrada de agua.

Instrucciones de almacenamiento

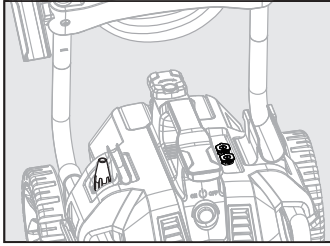


- Retire la manguera de alta presión de la pistola de pulverización y guarde en el gancho de la manguera (situado en la parte posterior de la unidad).



- Retira la lanza de la pistola de pulverización. Coloque el arma en la funda y la lanza en la ranura designada en la parte superior de la unidad.

CUIDADO Y MANTENIMIENTO



- Almacene la boquilla y la boquilla rotativa en sus soportes a ambos lados de la unidad.
- Vacíe el detergente restante de la botella. Los productos químicos residuales pueden endurecerse, contaminar el recipiente y obstruir el inyector de detergente.
- Enjuague la botella de detergente y la cabeza de la boquilla con agua limpia para evitar la acumulación.
- Rodee el cable de alimentación alrededor de los ganchos en forma de L situados en la parte superior de la máquina.

PRECAUCIÓN - No almacenar en condiciones de congelación:

Nunca guarde el lavador a presión en áreas donde las temperaturas puedan caer por debajo de la congelación sin una adecuada invernación. El agua que queda dentro de la unidad puede congelarse, expandirse y causar daños internos permanentes.

PRECAUCIÓN - Utilice anticongelante de bomba para almacenamiento en frío:

Si almacena la unidad en un garaje, cobertizo u otro espacio sin calentamiento, use un producto anticongelante diseñado para bombas de lavado a presión para proteger los componentes internos de la congelación.

PRECAUCIÓN - Bomba de ahorro Recomendado:

Para mayor protección durante el almacenamiento en frío, aplique un protector de bomba (no incluido). Ayuda a prevenir la congelación, la corrosión y el daño al sello durante el almacenamiento a largo plazo.

PROTECTOR DE LA BOMBA

Protector de la bomba es un producto que protege y prolonga la vida de la bomba. Este mantendrá las partes internas de la bomba lubricadas y protegidas de la congelación mientras se almacena en TODOS los climas. También ayuda a proteger contra la corrosión interna. El N.º de pieza de Blue Clean es: PW64511 (botella de 16 onzas). Realice su pedido en línea en www.arblueclean.com.

Instrucciones del protector de la bomba

Siga las instrucciones de almacenamiento previas para su lavadora a presión. Para evitar manchas, proteja la superficie debajo de la lavadora a presión de cualquier exceso de líquido. Utilice protección para los ojos cuando utilice este producto.

Apague la unidad y desconecte la pistola antes de colocar el protector de la bomba. Desenrosque la tapa roscada de la botella para retirar el sello y vuelva a colocar la tapa roscada en la botella.

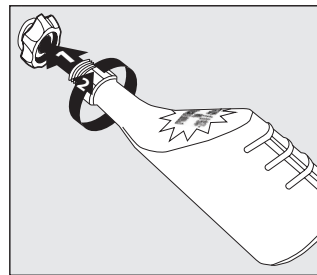
Retirar la tapa negra de la botella.

- 1) Parte superior lugar de botella de protector de bomba en el jardín adaptador.
- 2) Asegure la botella de protector de la bomba girando en un horario Dirección.
- 3) Encender la unidad.

4) Squeeze Bottle para ayudar en la bomba.

5) Apague la energía cuando la máquina bomba Saver salidas Salida de agua.

Nota: las instrucciones de la botella del protector de la bomba son genéricas y no del modelo específico.



SOLUCIÓN DE PROBLEMAS

Si tiene alguna pregunta sobre el producto, llame a Servicio al cliente al 1-866-235-5112.

PROBLEMA	CAUSA POSIBLE	SOLUCIÓN
Baja presión	El motor no funciona.	Consulte la sección "La alimentación no se enciende" de la solución de problemas.
	Otros	Contacte con el servicio al cliente.
Flujo de agua bajo o sin (con o sin energía)	Suministro de agua insuficiente	<ul style="list-style-type: none"> - Asegúrese de que la manguera de suministro está encendida. - Debe suministrar 4-6 GPM de agua a presión. - Prueba de flujo de manguera de jardín con cronómetro y cubo de 5 galones. Debe llenar en el rango de 50-70 segundos.
	Manguera torcida	<ul style="list-style-type: none"> - Endresar todas las mangueras. - Reemplace cualquier manguera de alta presión doblada.
	Filtro de adaptador de manguera de jardín obstruido	<ul style="list-style-type: none"> - Comprueba los escombros. - Limpiar o reemplazar según sea necesario.
	Boquilla obstruida	<ul style="list-style-type: none"> - Retira la boquilla y prueba sin ella. - Ver "Limpieza de boquillas" en Cuidado y mantenimiento. - Reemplazar si es defectuoso.
	Bloqueo interno	<ul style="list-style-type: none"> - Comience al final del camino de agua y retire las partes una por una. - Buscar bloqueo o problema de flujo de agua. - Limpiar o reemplazar la parte bloqueada. - Póngase en contacto con el servicio al cliente o consulte la guía de solución de problemas en línea.
El poder no se enciende	Fallo del GFCI	<p>Pruebe el GFCI como se describe en la página 51.</p> <p>Reemplazar si es defectuoso.</p>
	Boquilla obstruida	<ul style="list-style-type: none"> - Retira la boquilla y prueba. - Limpiar o reemplazar la boquilla según sea necesario (ver "Limpieza de la boquilla")
	TSS (Total Stop System) está activado y no se tira del gatillo	<p>Presiona el gatillo para activar el motor cuando esté encendido.</p> <p>(La máquina solo funciona cuando se tira del gatillo.)</p>
Potencia o presión en aumento	Boquilla obstruida	<ul style="list-style-type: none"> - Retira la boquilla y prueba. - Limpiar o reemplazar según sea necesario (ver "Limpieza de boquillas").
Fugas de agua en la conexión	Anillo tórico perdido o dañado.	<ul style="list-style-type: none"> - Reemplazar el anillo o anillos tóricos.

GARANTÍA LIMITADA

Este producto está respaldado por una "garantía limitada de 2 años" proporcionada por A.R. North America.

Año 1 - Cobertura completa ("Bumper to Bumper")

Durante el primer año a partir de la fecha de compra, este producto está garantizado al "consumidor minorista original" contra defectos en materiales y mano de obra. Esto incluye:

- Pistola de pulverización
- Manguera de alta presión
- Todos los accesorios incluidos

Esta es una garantía "no transferible" y se aplica solo al "uso del consumidor". Es "nulo" si el producto se utiliza para fines de alquiler o comerciales.

Año 2 - Cobertura limitada

El segundo año de cobertura se aplica "solo a defectos del fabricante". Los accesorios no están cubiertos durante este período.

Condiciones de garantía

- Debe tomarse un cuidado razonable durante el uso, siguiendo todas las instrucciones del "Manual del propietario" y la "Guía de inicio rápido".
- El incumplimiento de las instrucciones de operación o mantenimiento "anulará la garantía".
- Esta garantía le da derechos legales específicos. También puede tener otros derechos que varían según el estado.

Reclamaciones de garantía

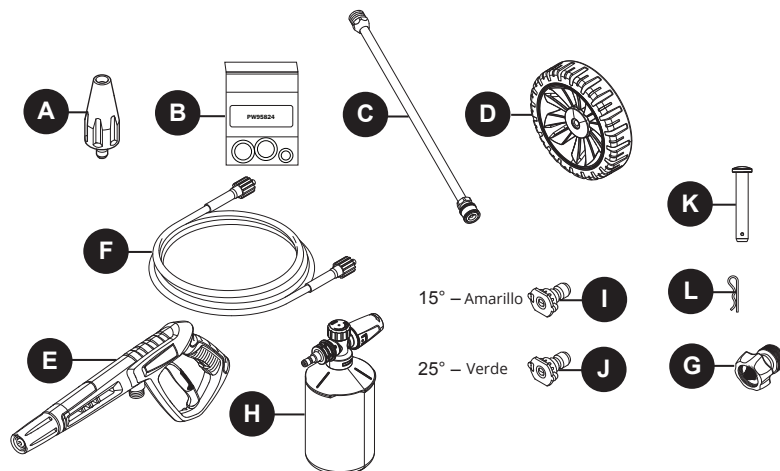
Guarde su "recibo de compra original" para cualquier reclamación de garantía.

Para más asistencia:

- Llame a "Servicio al Cliente" al "1-866-235-5112"
- Disponible "Lunes a viernes, 8:00 a.m. - 17:00 p.m. CST"
- Un representante le ayudará con la solución de problemas y los siguientes pasos.

LISTA DE PIEZAS DE REPUESTO

Para obtener piezas de repuesto, llame a nuestro Departamento de Servicio al Cliente al 1-866-235-5112, 8:00 a. m.–5:00 p. m., hora estándar del centro, de lunes a viernes o realice el pedido en línea en www.arblueclean.com



PIEZA	DESCRIPCIÓN	PIEZA N.º
A	Boquilla rotativa	PW6120330
B	Kit de recambio de junta tórica	PW95824
C	Lanza de extensión	PW6120310
D	Rueda	PW4620432
E	Arma de aerosol	PW6120302
F	Manguera de presión alta	PW4223470
G	Adaptador de manguera de jardín	PW4221570

PIEZA	DESCRIPCIÓN	PIEZA N.º
H	Cañón de espuma de alta presión	PW4620265
I	Boquilla de 15° de control de calidad	PW4223100
J	Boquilla de 25° de control de calidad	PW4223110
K	Axle Pin	PW4620370
L	Cotter Pin	PW4620380

Impreso en Vietnam

